

# STR-DA5300ES

## SERVICE MANUAL

Ver. 1.1 2007.10

US Model  
Canadian Model  
AEP Model  
UK Model



This receiver incorporates Dolby\* Digital and Pro Logic Surround and the DTS\*\* Digital Surround System.

\* Manufactured under license from Dolby Laboratories.

Dolby, Pro Logic, Surround EX, and the double-D symbol are trademarks of Dolby Laboratories.

\*\* Manufactured under license from DTS, Inc.

“DTS”, “DTS-ES” and “Neo:6” are registered trademarks of DTS, Inc. and “DTS-HD Master Audio”,

“DTS-HD High Resolution Audio” and “DTS 96/24” are trademarks of DTS, Inc.

### SPECIFICATIONS

#### AUDIO POWER SPECIFICATIONS (US model)

##### POWER OUTPUT AND TOTAL HARMONIC DISTORTION:

With 8 ohm loads, both channels driven, from 20 – 20,000 Hz; rated 120 watts per channel minimum RMS power, with no more than 0.09% total harmonic distortion from 250 milliwatts to rated output.

##### Amplifier section

##### POWER OUTPUT

(US and Canadian models)

Rated Power Output at Stereo Mode<sup>1) 2)</sup>

(8 ohms 20 Hz – 20 kHz,

THD 0.09%):

120 W + 120 W

Reference Power Output at Stereo Mode

(4 ohms 20 Hz – 20 kHz,

THD 0.15%):

120 W + 120 W

Reference Power Output

(8 ohms 1 kHz, THD 0.7%)

FRONT<sup>2)</sup>:

130 W + 130 W

CENTER<sup>2)</sup>: 130 W

SURROUND<sup>2)</sup>:

130 W + 130 W

SURROUND BACK<sup>2)</sup>:

130 W + 130 W

##### Reference Power Output

(4 ohms 1 kHz, THD 0.7%)

FRONT<sup>2)</sup>:

120 W + 120 W

CENTER<sup>2)</sup>: 120 W

SURROUND<sup>2)</sup>:

120 W + 120 W

SURROUND BACK<sup>2)</sup>:

120 W + 120 W

<sup>1)</sup>Depending on the sound field settings and the

source, there may be no sound output

<sup>2)</sup>Measured under the following conditions:

Power requirements: 120 V AC, 60 Hz

(AEP, Russian, Ukrainian and UK models)

Rated Power Output at Stereo Mode<sup>1) 2)</sup>

(8 ohms 1 kHz, THD

0.7%):

125 W + 125 W

Reference Power Output at Stereo Mode

(4 ohms 1 kHz, THD

0.7%):

125 W + 125 W

##### Reference Power Output

(8 ohms 20 Hz – 20 kHz,

THD 0.09%)

FRONT<sup>2)</sup>:

120 W + 120 W

CENTER<sup>2)</sup>: 120 W

SURROUND<sup>2)</sup>:

120 W + 120 W

SURROUND BACK<sup>2)</sup>:

120 W + 120 W

##### Reference Power Output

(4 ohms 20 Hz – 20 kHz,

THD 0.15%)

FRONT<sup>2)</sup>:

120 W + 120 W

CENTER<sup>2)</sup>: 120 W

SURROUND<sup>2)</sup>:

120 W + 120 W

SURROUND BACK<sup>2)</sup>:

120 W + 120 W

##### Reference Power Output at Stereo Mode

(8 ohms 1 kHz, THD

10%):

150 W + 150 W

– Continued on next page –

## MULTI CHANNEL AV RECEIVER

# STR-DA5300ES

Ver. 1.1

Reference Power Output at Stereo Mode (4 ohms 1 kHz, THD 10%): 150 W + 150 W
Reference Power Output (8 ohms 1 kHz, THD 10%) FRONT <sup>2)</sup> : 150 W + 150 W CENTER <sup>2)</sup> : 150 W SURROUND <sup>2)</sup> : 150 W + 150 W SURROUND BACK <sup>2)</sup> : 150 W + 150 W
Reference Power Output (4 ohms 1 kHz, THD 10%) FRONT <sup>2)</sup> : 150 W + 150 W CENTER <sup>2)</sup> : 150 W SURROUND <sup>2)</sup> : 150 W + 150 W SURROUND BACK <sup>2)</sup> : 150 W + 150 W

<sup>1)</sup> Depending on the sound field settings and the source, there may be no sound output

<sup>2)</sup> Measured under the following conditions:

Power requirements: 230 V AC, 50/60 Hz  
(in countries/area in Europe other than the U K )  
240 V AC, 50/60 Hz  
(in the U K and general area)

## Frequency response

PHONO	RIAA equalization curve ± 0.5 dB
MULTI CHANNEL INPUT, SA-CD/CD, MD/DAT, DVD/BD, TV, SAT/CATV, TAPE/CD-R, VIDEO 1/2/3	10 Hz – 100 kHz ± 3 dB

## Inputs (Analog)

PHONO	Sensitivity: 2.5mV Impedance: 50kohms S/N: 90dB (A, 20 kHz LPF)
MULTI CHANNEL INPUT, SA-CD/CD, MD/DAT, DVD/BD, TV, SAT/CATV, TAPE/CD-R, VIDEO 1/2/3	Sensitivity: 150mV Impedance: 50kohms S/N: 100dB (A, 20 kHz LPF)

## Inputs (Digital)

DVD/BD, VIDEO 2, SA-CD/CD (Coaxial)	Impedance: 75ohms S/N: 96dB (A, 20 kHz LPF)
VIDEO 1, TV, SAT/CATV, TAPE/CD-R, MD/DAT (Optical)	S/N: 96 dB (A, 20 kHz LPF)

## Outputs

MD/DAT (REC OUT), VIDEO 1, ZONE 2, ZONE 3 (AUDIO OUT)	Voltage: 150mV Impedance: 1kohm
FRONT L/R, CENTER, SURROUND L/R, SURROUND BACK L/R, SUB WOOFER	Voltage: 2V Impedance: 1kohm

## EQUALIZER

Gain levels	±10 dB, 1 dB step
-------------	-------------------

## FM tuner section

Tuning range	87.5 – 108.0 MHz
Antenna (aerial)	FM wire antenna (aerial)
Antenna (aerial) terminals	75 ohms, unbalanced

## AM tuner section

Tuning range (US and Canadian models) With 10-kHz tuning scale 530 – 1,710 kHz <sup>3)</sup> With 9-kHz tuning scale 531 – 1,710 kHz <sup>3)</sup> (AEP, Russian, Ukrainian and UK models) With 9-kHz tuning scale 531 – 1,602 kHz	Loop antenna (aerial)
--	-----------------------

<sup>3)</sup> You can change the AM tuning scale to either 9 kHz or 10 kHz. After tuning in any AM station, turn off the receiver. While holding down TUNING MODE, press POWER on the receiver. All preset stations will be erased when you change the tuning scale. To reset the scale to 10 kHz (or 9 kHz), repeat the procedure.

## Video section

### Inputs/Outputs

Video:	1 Vp-p, 75 ohms
COMPONENT VIDEO:	Y: 1 Vp-p, 75 ohms P <sub>B</sub> /C <sub>B</sub> : 0.7 Vp-p, 75 ohms P <sub>R</sub> /C <sub>R</sub> : 0.7 Vp-p, 75 ohms 80 MHz HD Pass Through

## HDMI Video

### Input/Output (HDMI Repeater block)

640 × 480p@60Hz
720 × 480p@59.94/60Hz
1440 × 480p@59.94/60Hz (pixel sent 2times)
1280 × 720p@59.94/60Hz
1920 × 1080i@59.94/60Hz
1920 × 1080p@59.94/60Hz
720 × 576p@50Hz
1440 × 576p@50Hz (pixel sent 2times)
1280 × 720p@50Hz
1920 × 1080i@50Hz
1920 × 1080p@50Hz
1920 × 1080p@24Hz

## General

Power requirements	120 V AC, 60 Hz (US and Canadian models) 230 V AC, 50/60Hz (in countries/area in Europe other than the U.K.) 230 – 240V AC, 50/60Hz (in the U.K. and general area)
Power output (DIGITAL MEDIA PORT)	DC OUT: 5 V, 700 mA
Power consumption	480 W/580 VA (US/Canada) 480 W (AEP, Russian, Ukrainian and UK models)
Power consumption (during standby mode)	0.7 W (when “HDMI Control” and “RS-232C Control” is set to “OFF”)

Dimensions	430 × 175 × 430 mm (width/height/depth) including projecting parts and controls
Mass (Approx.)	16.0 kg

## Supplied accessories

Operating Instructions
Quick Setup Guide (1)
HDMI CONTROL Guide (1)
GUI Menu List (1)
Optimizer microphone ECM-AC1 (1)
FM wire antenna (aerial) (1)
AM loop antenna (aerial) (1)
AC power cord (mains lead) (1)
Remote commander RM-AAL008 (1) (US and Canadian models)
Remote commander RM-AAL009 (1) (AEP, Russian, Ukrainian and UK models)
Remote commander RM-AAU016 (1)
R6 (size-AA) batteries (4)

Design and specifications are subject to change without notice.

**Notes on chip component replacement**

- Never reuse a disconnected chip component.
- Notice that the minus side of a tantalum capacitor may be damaged by heat.

**SAFETY CHECK-OUT**

After correcting the original service problem, perform the following safety check before releasing the set to the customer:

Check the antenna terminals, metal trim, “metallized” knobs, screws, and all other exposed metal parts for AC leakage.

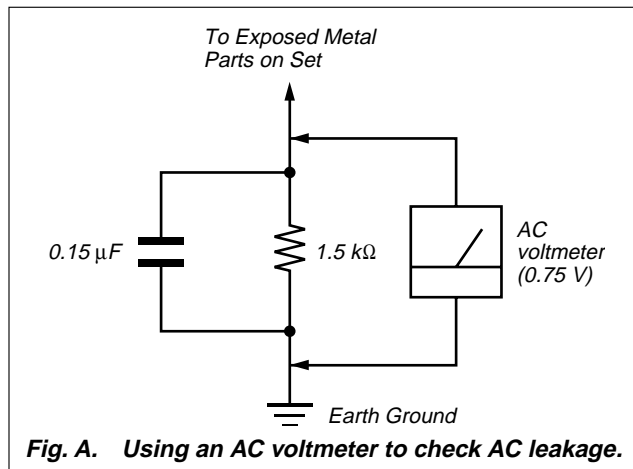
Check leakage as described below.

**LEAKAGE TEST**

The AC leakage from any exposed metal part to earth ground and from all exposed metal parts to any exposed metal part having a return to chassis, must not exceed 0.5 mA (500 microamperes.).

Leakage current can be measured by any one of three methods.

1. A commercial leakage tester, such as the Simpson 229 or RCA WT-540A. Follow the manufacturers’ instructions to use these instruments.
2. A battery-operated AC milliammeter. The Data Precision 245 digital multimeter is suitable for this job.
3. Measuring the voltage drop across a resistor by means of a VOM or battery-operated AC voltmeter. The “limit” indication is 0.75 V, so analog meters must have an accurate low-voltage scale. The Simpson 250 and Sanwa SH-63Trd are examples of a passive VOM that is suitable. Nearly all battery operated digital multimeters that have a 2 V AC range are suitable. (See Fig. A)

**SAFETY-RELATED COMPONENT WARNING!!**

**COMPONENTS IDENTIFIED BY MARK  $\triangle$  OR DOTTED LINE WITH MARK  $\triangle$  ON THE SCHEMATIC DIAGRAMS AND IN THE PARTS LIST ARE CRITICAL TO SAFE OPERATION. REPLACE THESE COMPONENTS WITH SONY PARTS WHOSE PART NUMBERS APPEAR AS SHOWN IN THIS MANUAL OR IN SUPPLEMENTS PUBLISHED BY SONY.**

**ATTENTION AU COMPOSANT AYANT RAPPORT À LA SÉCURITÉ!**

**LES COMPOSANTS IDENTIFIÉS PAR UNE MARQUE  $\triangle$  SUR LES DIAGRAMMES SCHÉMATIQUES ET LA LISTE DES PIÈCES SONT CRITIQUES POUR LA SÉCURITÉ DE FONCTIONNEMENT. NE REMPLACER CES COM- POSANTS QUE PAR DES PIÈCES SONY DONT LES NUMÉROS SONT DONNÉS DANS CE MANUEL OU DANS LES SUPPLÉMENTS PUBLIÉS PAR SONY.**

**TABLE OF CONTENTS**

<b>1. SERVICING NOTES</b> .....	5
<b>2. GENERAL</b> .....	11
<b>3. DISASSEMBLY</b>	
3-1. Disassembly Flow .....	19
3-2. Case .....	20
3-3. SP-TM Board, Tuner (FM/AM) .....	20
3-4. D-CONNECT Board, DSP Board, DIGITAL Board, CIS Board and CONTROL Board .....	21
3-5. D-VIDEO Board .....	21
3-6. Front Panel Section .....	22
3-7. S-VIDEO Board and A-VIDEO Board .....	22
3-8. FLI-1.8REG Board and ANALOG Board .....	23
3-9. Power Transformer (T001), E-VOL Board and MAIN Board .....	24
3-10. Heat Sink Section .....	25
<b>4. TEST MODE</b> .....	26
<b>5. ELECTRICAL ADJUSTMENTS</b> .....	30
<b>6. DIAGRAMS</b>	
6-1. Block Diagram – CONTROL Section – .....	33
6-2. Block Diagram – DSP Section – .....	34
6-3. Block Diagram – DIGITAL AUDIO Section – .....	35
6-4. Block Diagram – HDMI Section (1/2) – .....	36
6-5. Block Diagram – HDMI Section (2/2) – .....	37
6-6. Block Diagram – VIDEO PROCESS Section – .....	38
6-7. Block Diagram – ANALOG AUDIO Section – .....	39
6-8. Block Diagram – POWER AMP Section – .....	40
6-9. Block Diagram – VIDEO Section (1/2) – .....	41
6-10. Block Diagram – VIDEO Section (2/2) – .....	42
6-11. Block Diagram – PANEL, CIS, XM/ SIRIUS RECEIVER, DMPORT Section – .....	43
6-12. Block Diagram – POWER SUPPLY Section – .....	44
6-13. Printed Wiring Board – MAIN Board (Component Side) – .....	46
6-14. Printed Wiring Board – MAIN Board (Conductor Side) – .....	47
6-15. Schematic Diagram – MAIN Board (1/4) – .....	48
6-16. Schematic Diagram – MAIN Board (2/4) – .....	49
6-17. Schematic Diagram – MAIN Board (3/4) – .....	50
6-18. Schematic Diagram – MAIN Board (4/4) – .....	51
6-19. Printed Wiring Board – DIGITAL Board (Component Side) – .....	52
6-20. Printed Wiring Board – DIGITAL Board (Conductor Side) – .....	53
6-21. Schematic Diagram – DIGITAL Board (1/4) – .....	54
6-22. Schematic Diagram – DIGITAL Board (2/4) – .....	55
6-23. Schematic Diagram – DIGITAL Board (3/4) – .....	56
6-24. Schematic Diagram – DIGITAL Board (4/4) – .....	57
6-25. Printed Wiring Board – DSP Board (Side A) – .....	58
6-26. Printed Wiring Board – DSP Board (Side B) – .....	59
6-27. Schematic Diagram – DSP Board (1/4) – .....	60
6-28. Schematic Diagram – DSP Board (2/4) – .....	61
6-29. Schematic Diagram – DSP Board (3/4) – .....	62
6-30. Schematic Diagram – DSP Board (4/4) – .....	63
6-31. Printed Wiring Board – ANALOG Board (Component Side) – .....	64
6-32. Printed Wiring Board – ANALOG Board (Conductor Side) – .....	65
6-33. Schematic Diagram – ANALOG Board (1/3) – .....	66
6-34. Schematic Diagram – ANALOG Board (2/3) – .....	67
6-35. Schematic Diagram – ANALOG Board (3/3) – .....	68

6-36. Printed Wiring Board – E-VOL Board – .....	69
6-37. Schematic Diagram – E-VOL Board (1/2) – .....	70
6-38. Schematic Diagram – E-VOL Board (2/2) – .....	71
6-39. Printed Wiring Boards – CONNECTOR Section – .....	72
6-40. Schematic Diagram – CONNECTOR Section – .....	73
6-41. Printed Wiring Board – TEMPERATURE DETECTION Board – .....	74
6-42. Schematic Diagram – TEMPERATURE DETECTION Board – .....	74
6-43. Printed Wiring Board – A-CLASS AMP Board – .....	75
6-44. Schematic Diagram – A-CLASS AMP Board (1/2) – .....	76
6-45. Schematic Diagram – A-CLASS AMP Board (2/2) – .....	77
6-46. Printed Wiring Board – POWER AMPLIFIER Board – .....	78
6-47. Schematic Diagram – POWER AMPLIFIER Board – .....	79
6-48. Printed Wiring Board – PROTECTOR (F-C) Board – .....	80
6-49. Schematic Diagram – PROTECTOR (F-C) Board – .....	81
6-50. Printed Wiring Boards – PROTECTOR (SB/SURR) Section – .....	82
6-51. Schematic Diagram – PROTECTOR (SB/SURR) Section – .....	83
6-52. Printed Wiring Board – BIAS Board – .....	84
6-53. Schematic Diagram – BIAS Board – .....	85
6-54. Printed Wiring Board – SP-TM Board – .....	86
6-55. Schematic Diagram – SP-TM Board – .....	87
6-56. Printed Wiring Board – D-VIDEO Board (Component Side) – .....	88
6-57. Printed Wiring Board – D-VIDEO Board (Conductor Side) – .....	89
6-58. Schematic Diagram – D-VIDEO Board (1/12) – .....	90
6-59. Schematic Diagram – D-VIDEO Board (2/12) – .....	91
6-60. Schematic Diagram – D-VIDEO Board (3/12) – .....	92
6-61. Schematic Diagram – D-VIDEO Board (4/12) – .....	93
6-62. Schematic Diagram – D-VIDEO Board (5/12) – .....	94
6-63. Schematic Diagram – D-VIDEO Board (6/12) – .....	95
6-64. Schematic Diagram – D-VIDEO Board (7/12) – .....	96
6-65. Schematic Diagram – D-VIDEO Board (8/12) – .....	97
6-66. Schematic Diagram – D-VIDEO Board (9/12) – .....	98
6-67. Schematic Diagram – D-VIDEO Board (10/12) – .....	99
6-68. Schematic Diagram – D-VIDEO Board (11/12) – .....	100
6-69. Schematic Diagram – D-VIDEO Board (12/12) – .....	101
6-70. Printed Wiring Board – A-VIDEO Board (Component Side) – .....	102
6-71. Printed Wiring Board – A-VIDEO Board (Conductor Side) – .....	103
6-72. Schematic Diagram – A-VIDEO Board (1/4) – .....	104
6-73. Schematic Diagram – A-VIDEO Board (2/4) – .....	105
6-74. Schematic Diagram – A-VIDEO Board (3/4) – .....	106
6-75. Schematic Diagram – A-VIDEO Board (4/4) – .....	107
6-76. Printed Wiring Board – S-VIDEO Board – .....	108
6-77. Schematic Diagram – S-VIDEO Board – .....	109
6-78. Printed Wiring Board – VIDEO3 Board – .....	110
6-79. Schematic Diagram – VIDEO3 Board – .....	111
6-80. Printed Wiring Board – CONTROL Board (Component Side) – .....	112
6-81. Printed Wiring Board – CONTROL Board (Conductor Side) – .....	113
6-82. Schematic Diagram – CONTROL Board (1/2) – .....	114
6-83. Schematic Diagram – CONTROL Board (2/2) – .....	115
6-84. Printed Wiring Board – CIS Board – .....	116
6-85. Schematic Diagram – CIS Board – .....	117
6-86. Printed Wiring Board – DISPLAY Board – .....	118
6-87. Schematic Diagram – DISPLAY Board – .....	119
6-88. Printed Wiring Boards – PANEL Section – .....	120
6-89. Schematic Diagram – PANEL Section – .....	121
6-90. Printed Wiring Board – DC-DC Board – .....	122
6-91. Schematic Diagram – DC-DC Board – .....	123

6-92. Printed Wiring Board – AC Board (TYPE A) – .....	124
6-93. Printed Wiring Board – AC Board (TYPE B) – .....	124
6-94. Schematic Diagram – AC Board – .....	125

## 7. EXPLODED VIEWS

7-1. Case Section .....	173
7-2. DIGITAL Board Section .....	174
7-3. D-VIDEO Board Section .....	175
7-4. DISPLAY Board Section .....	176
7-5. Front Panel Section .....	177
7-6. A-VIDEO Board Section .....	178
7-7. ANALOG Board Section .....	179
7-8. Heat Sink Section .....	180
7-9. MAIN Board Section .....	181

## 8. ELECTRICAL PARTS LIST .....

182
-----

**Note 1:** Refer "NOTE WHEN THE AC BOARD IS REPAIRED" (page 5) in servicing notes for how to distinguish TYPE A/B.

**Note 2:** Refer to SUPPLEMENT-1 for the CONTROL, DIGITAL and DSP boards of printed wiring boards, schematic diagrams and electrical parts list of Russian and Ukrainian models. When repairing the set of US, Canadian, AEP and UK models, refer to either of original service manual/SUPPLEMENT-1 according to the set.

## SECTION 1 SERVICING NOTES

### UNLEADED SOLDER

Boards requiring use of unleaded solder are printed with the lead-free mark (LF) indicating the solder contains no lead.  
(Caution: Some printed circuit boards may not come printed with the lead free mark due to their particular size)

#### **LF**: LEAD FREE MARK

Unleaded solder has the following characteristics.

- Unleaded solder melts at a temperature about 40 °C higher than ordinary solder.  
Ordinary soldering irons can be used but the iron tip has to be applied to the solder joint for a slightly longer time.  
Soldering irons using a temperature regulator should be set to about 350 °C.  
Caution: The printed pattern (copper foil) may peel away if the heated tip is applied for too long, so be careful!
- Strong viscosity  
Unleaded solder is more viscous (sticky, less prone to flow) than ordinary solder so use caution not to let solder bridges occur such as on IC pins, etc.
- Usable with ordinary solder  
It is best to use only unleaded solder but unleaded solder may also be added to ordinary solder.

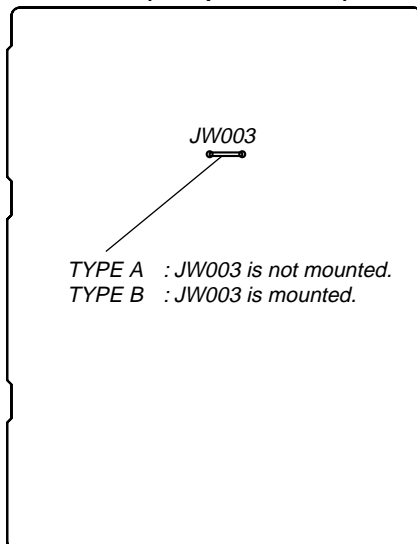
### NOTE OF REPLACING THE IC3601 ON THE D-VIDEO BOARD

Replacement of IC3601 on the D-VIDEO board used in this set requires a special tool.

### NOTE WHEN THE AC BOARD IS REPAIRED (US and Canadian models only)

**Note:** AEP, Russian, Ukrainian and UK models uses only TYPE B.  
Two types exist in the AC board for US and Canadian models.  
Repair after distinguishing which type it is referring to the figure below.

#### – AC Board (Component Side) –



### • MODEL IDENTIFICATION

#### – Back Panel –



Model	PART No.
US and Canadian models	3-113-954-1□
AEP model	3-113-954-2□
UK model	3-113-954-3□
Russian and Ukrainian models	3-113-954-4□

### NOTE OF REPLACING THE IC3511 AND IC3513 ON THE D-VIDEO BOARD

IC3511 and IC3513 on the D-VIDEO board cannot exchange with single. When IC3511 and IC3513 on the D-VIDEO board are damaged, exchange the entire mounted board.

### NOTE OF REPLACING THE IC5002 AND IC5202 ON THE DSP BOARD

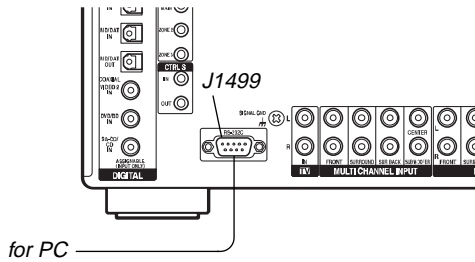
IC5002 and IC5202 on the DSP board cannot exchange with single. When IC5002 and IC5202 on the DSP board are damaged, exchange the entire mounted board.

# STR-DA5300ES

## UPDATE OF SOFTWARE OF IC2003 ON THE CONTROL BOARD, IC3610 ON THE D-VIDEO BOARD AND IC5208 ON THE DSP BOARD

Perform operation of the following when the update of software of the IC2003 on the CONTROL board, IC3610 on the D-VIDEO board and IC5208 on the DSP board is necessary.

### Connect:



### Procedure:

1. Connect J1499 on the MAIN board and PC by using the RS-232C cable.
2. Turn on the main power.
3. The update is executed by using PC.
4. When the update ends, turn off the main power.
5. Remove the RS-232C cable from the J1499 on the MAIN board and PC.

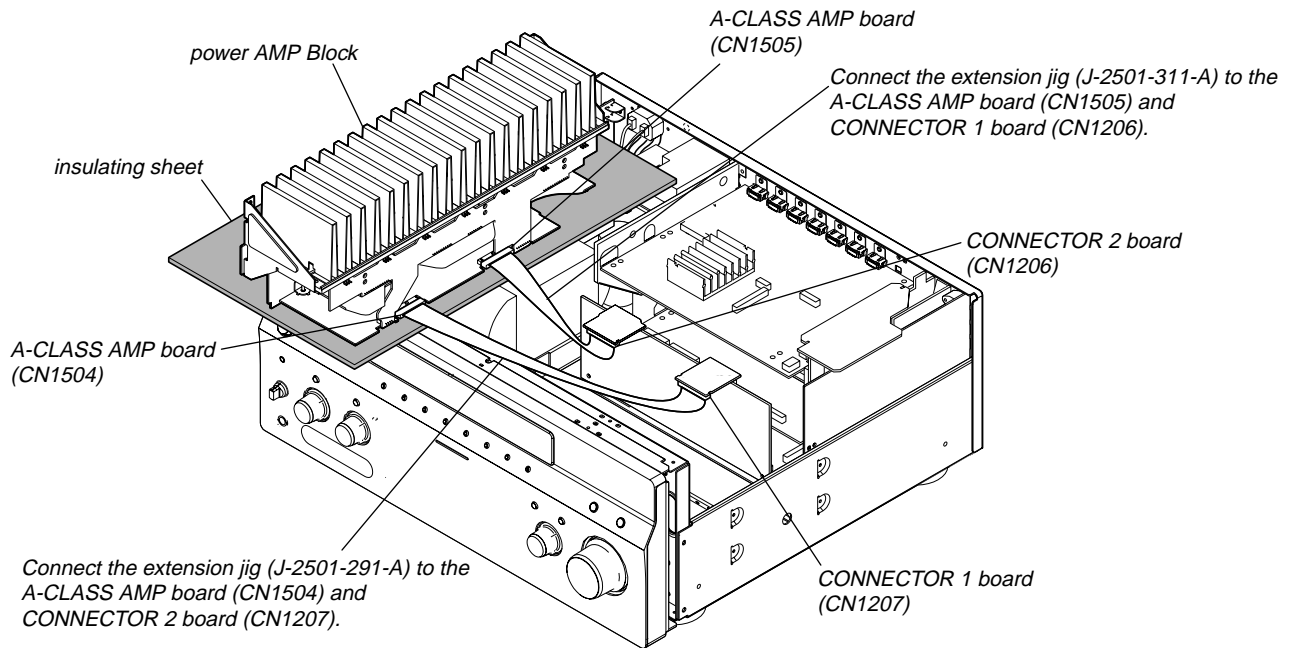
### ERROR MESSAGES

If there is a malfunction, the display shows a code of two numbers and a message. You can check the condition of the system by the message. Refer to the following table to solve the problem.

messages	cause and response
PROTECTOR	Irregular current is output to the speakers, or the upper panel of the receiver is covered with something. The receiver will automatically turn off after a few seconds. Check the speakers connection and turn on the power again.

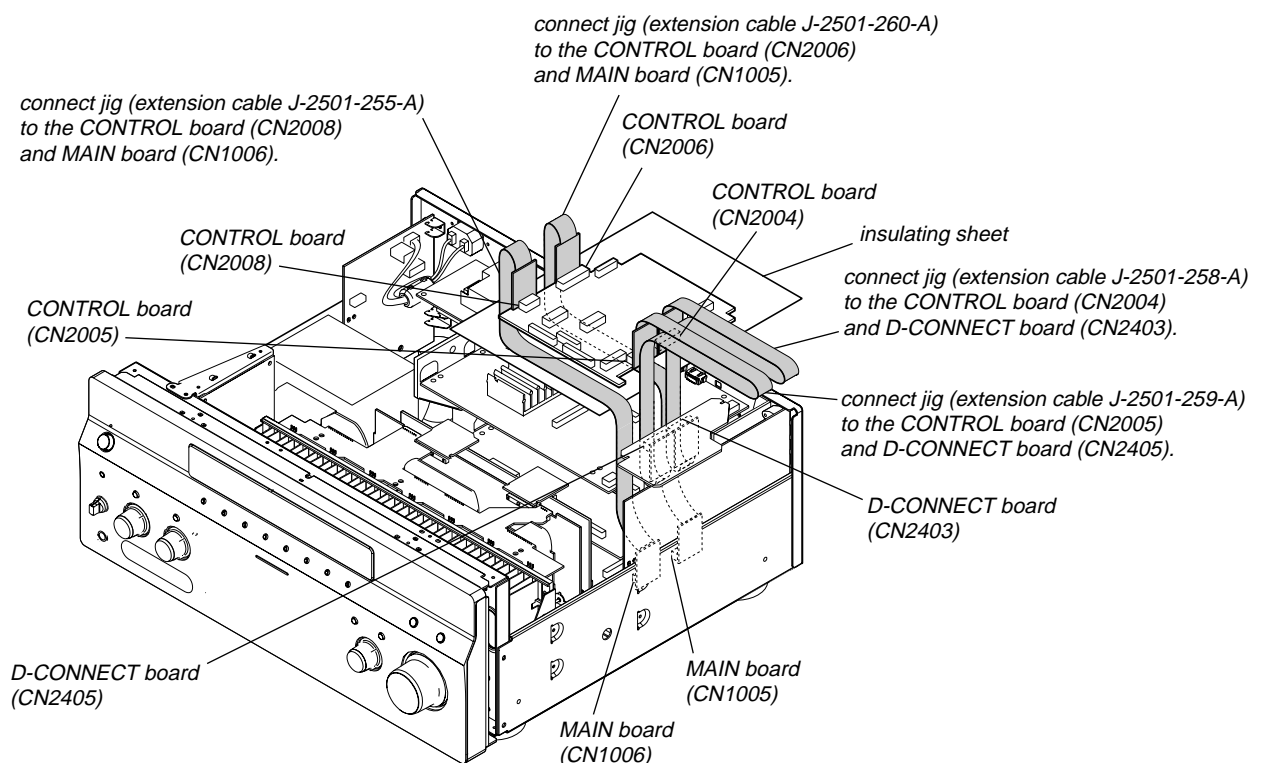
### POWER AMP BLOCK SERVICE POSITION

In checking the Power AMP block, prepare jig (extension cable J-2501-291-A: 2 mm Pitch, 12 cores, Length 300 mm/J-2501-311-A: 2 mm Pitch, 15 cores, Length 300 mm).



### CONTROL BOARD SERVICE POSITION

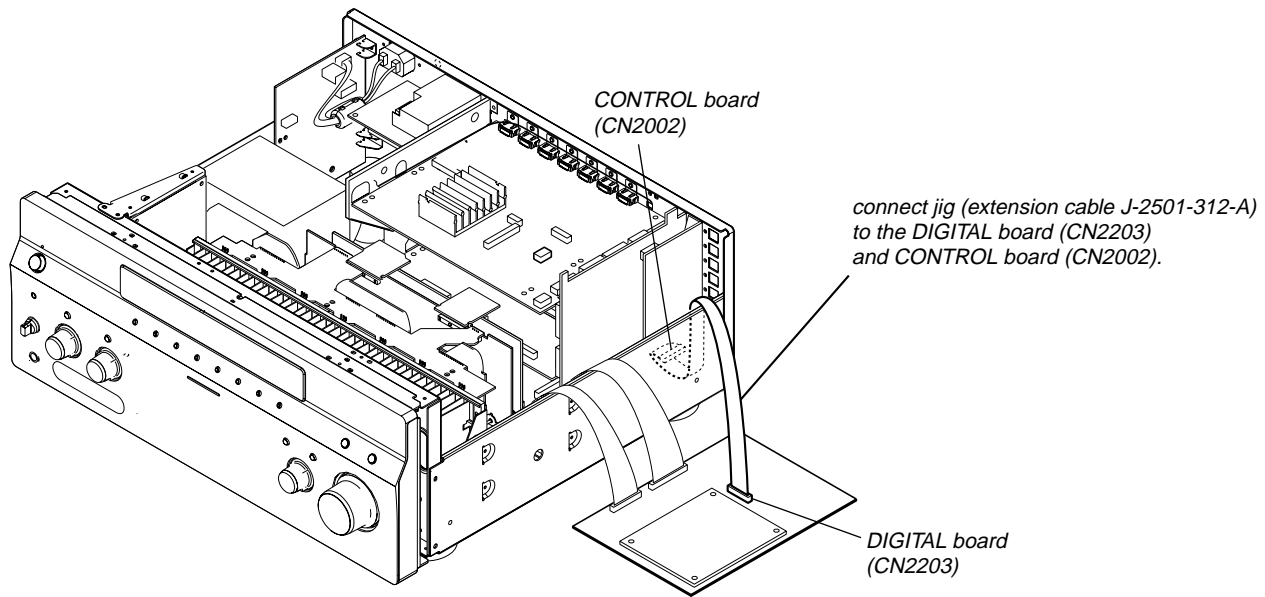
In checking the CONTROL board, prepare jig (extension cable J-2501-255-A: 1.25 mm Pitch, 10 cores, Length 300 mm/J-2501-258-A: 1.25 mm Pitch, 16 cores, Length 300 mm/J-2501-259-A: 1.25 mm Pitch, 18 cores, Length 300 mm/J-2501-260-A: 1.25 mm Pitch, 20 cores, Length 300 mm).



# STR-DA5300ES

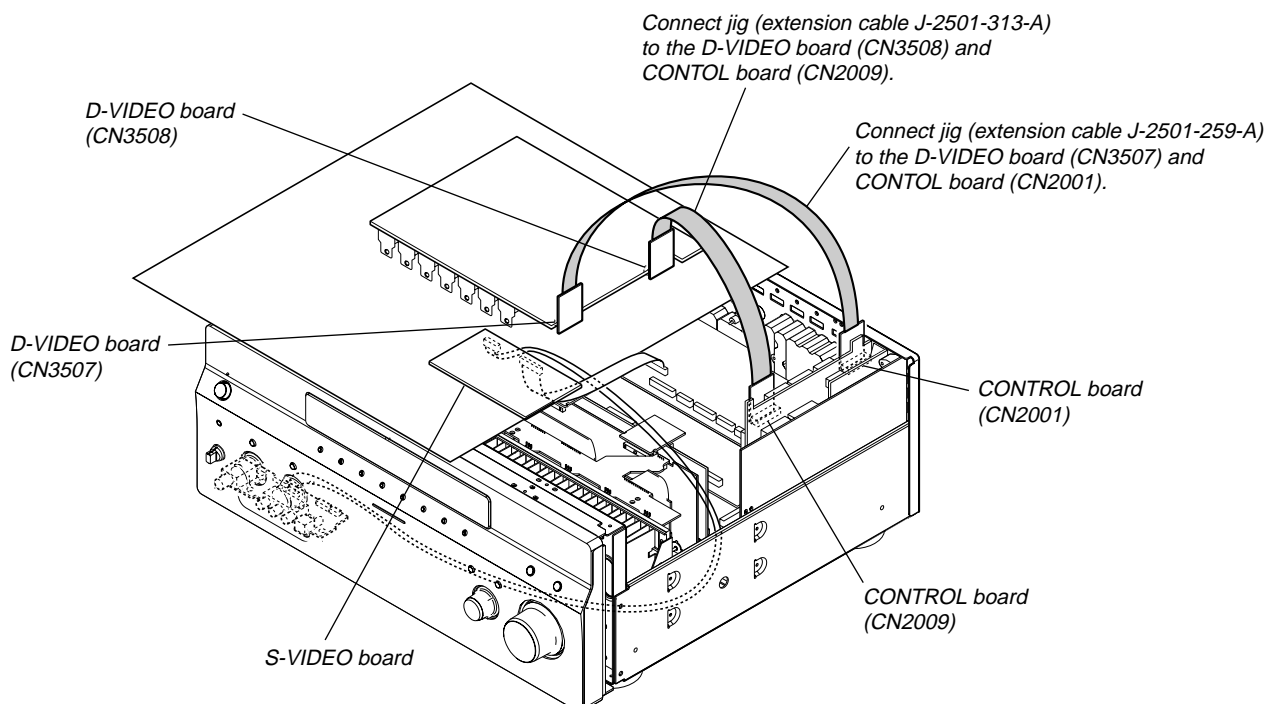
## DIGITAL BOARD SERVICE POSITION

In checking the DIGITAL board, prepare jig (extension cable J-2501-312-A: 1.25 mm Pitch, 11 cores, Length 300 mm).



## D-VIDEO/S-VIDEO BOARDS SERVICE POSITION

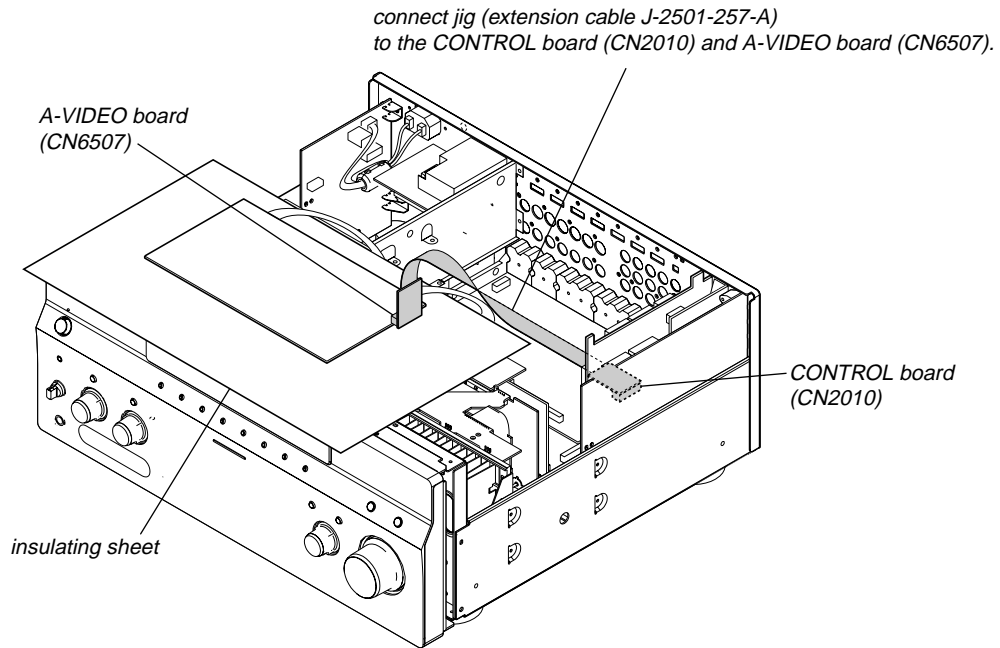
In checking the D-VIDEO board, prepare jig (extension cable J-2501-259-A: 1.25 mm Pitch, 18 cores, Length 300 mm/J-2501-313-A: 1.25 mm Pitch, 17 cores, Length 300 mm).



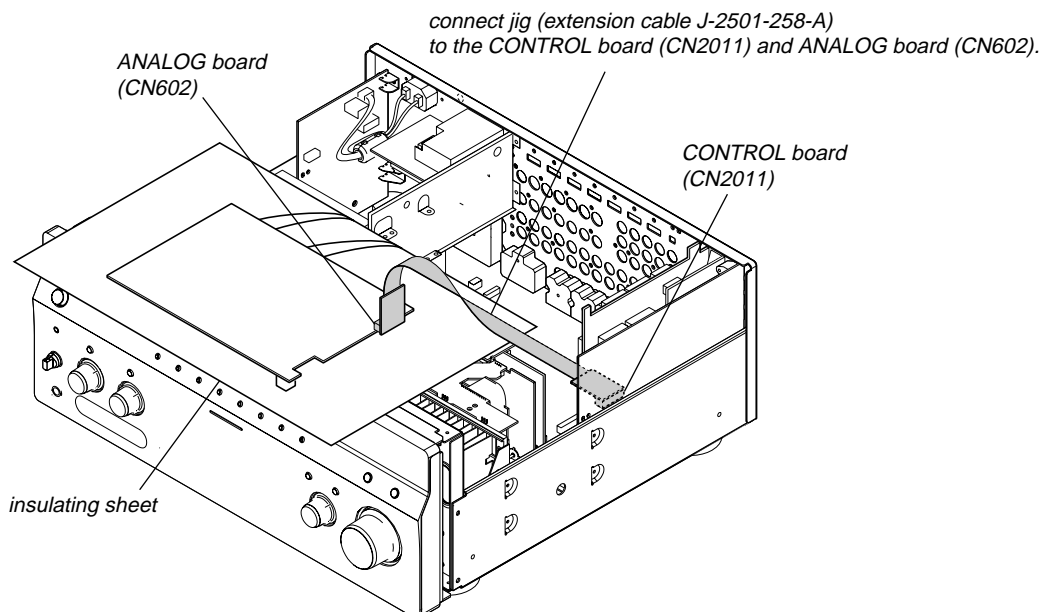


**A-VIDEO BOARD SERVICE POSITION**

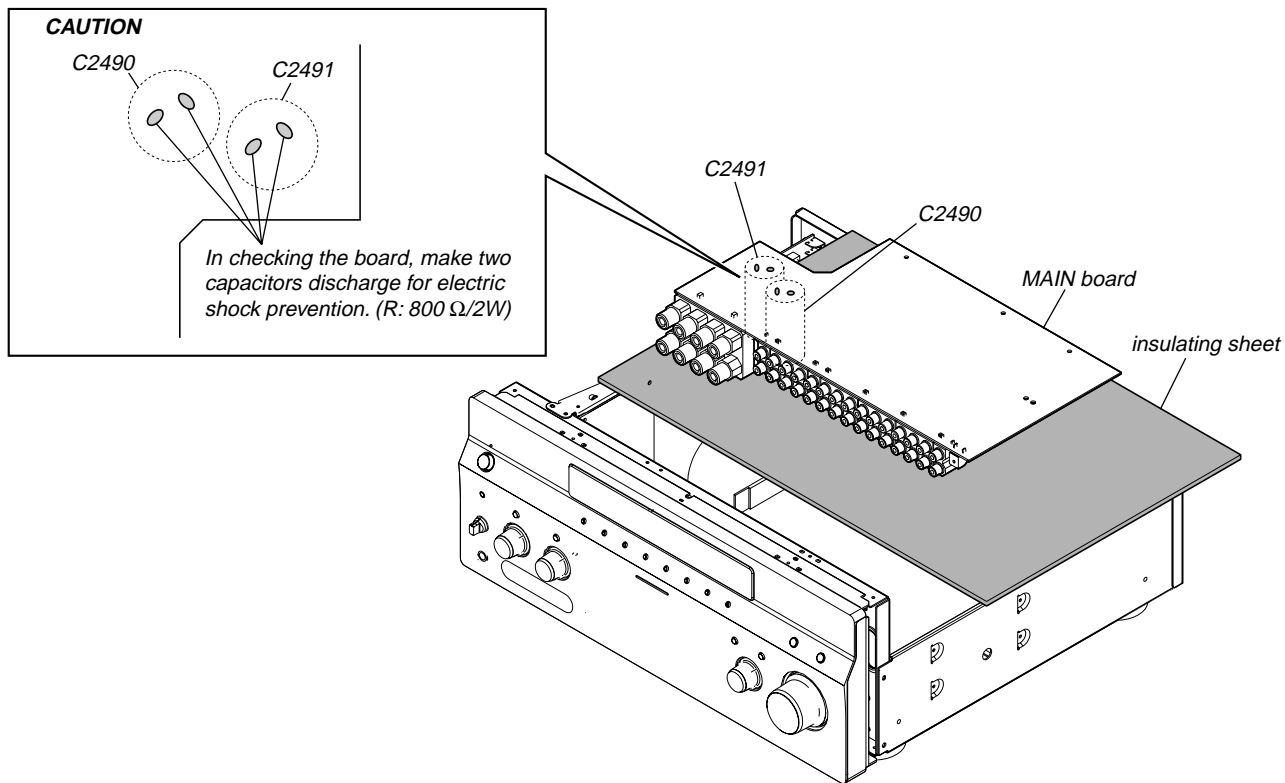
In checking the A-VIDEO board, prepare jig (extension cable J-2501-257-A: 1.25 mm Pitch, 14 cores, Length 300 mm).

**ANALOG BOARD SERVICE POSITION**

In checking the ANALOG board, prepare jig (extension cable J-2501-258-A: 1.25 mm Pitch, 16 cores, Length 300 mm).

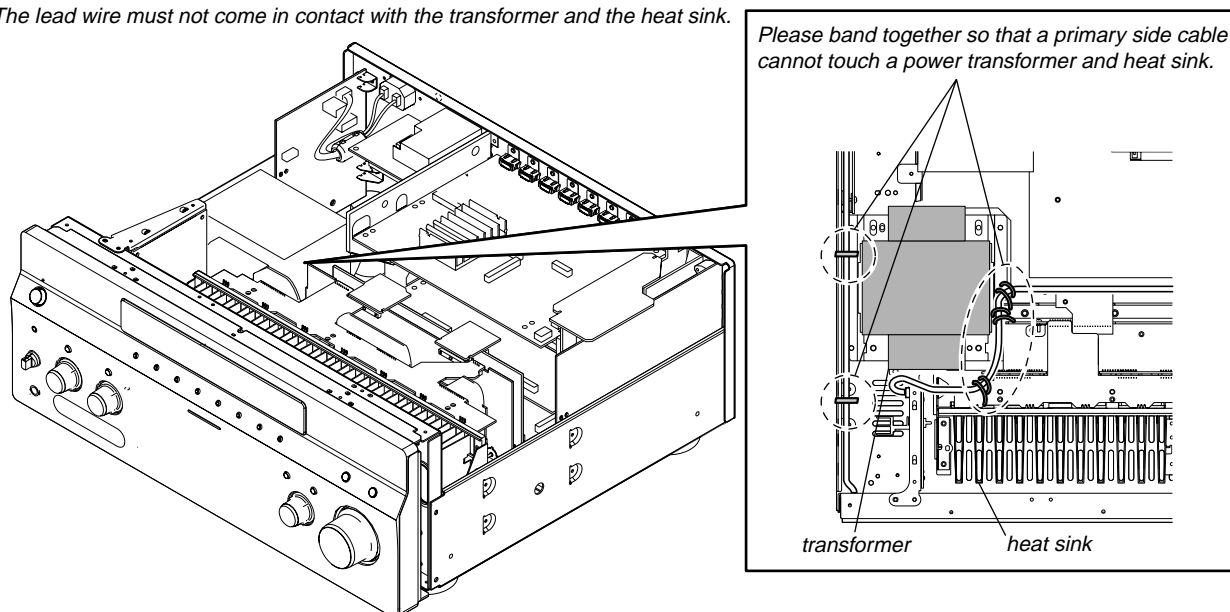


## MAIN BOARD SERVICE POSITION



## LEAD WIRE SETTING

The lead wire must not come in contact with the transformer and the heat sink.



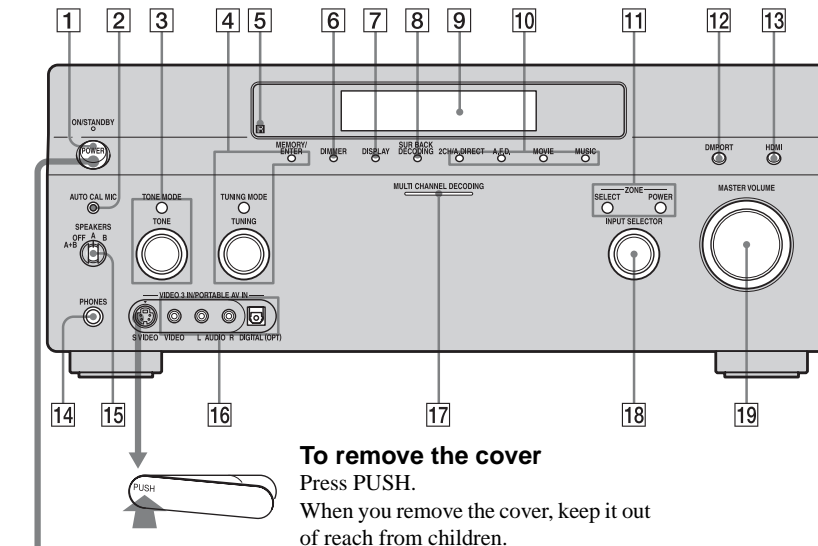
## SECTION 2 GENERAL

This section is extracted from instruction manual.

### Getting Started

## Description and location of parts (US and Canadian models)

### Front panel



#### To remove the cover

Press PUSH.

When you remove the cover, keep it out of reach from children.

#### Status of the POWER button

Off

The receiver is turned off (initial setting).  
Press POWER to turn the receiver on.  
You cannot turn the receiver on using the remote.

On/Standby

Press I/⏻ on the remote to turn the receiver on or set it to the standby mode.

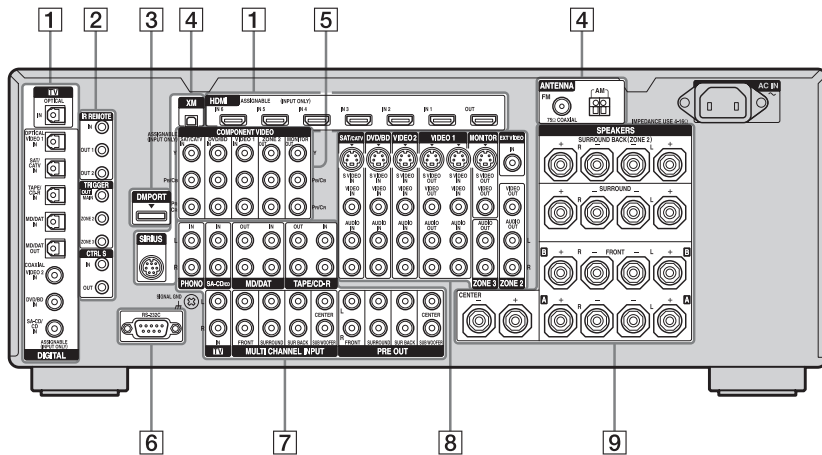
When you press POWER on the receiver, the receiver will be turned off.

Name	Function
<b>1</b> POWER	Press to turn the receiver on or off.
<b>2</b> AUTO CAL MIC jack	Connects to the supplied optimizer microphone for the Digital Cinema Auto Calibration function.
<b>3</b> TONE MODE TONE	Adjusts FRONT/CENTER/SURROUND/SURROUND BACK BASS and TREBLE. Press TONE MODE repeatedly to select BASS or TREBLE, then turn TONE to adjust the level.
<b>4</b> MEMORY/ ENTER TUNING MODE TUNING	Press to operate a tuner (FM/AM) and satellite radio (XM/SIRIUS).
<b>5</b> Remote sensor	Receives signals from remote commander.
<b>6</b> DIMMER	Press repeatedly to adjust brightness of the display.
<b>7</b> DISPLAY	Press repeatedly to select information displayed on the display.




Name	Function
<b>8</b> SUR BACK DECODING	Press to activate SB DECODING.
<b>9</b> Display window	The current status of the selected component or a list of selectable items appears here.
<b>10</b> 2CH/A.DIRECT A.F.D. MOVIE MUSIC	Press to select sound field.
<b>11</b> ZONE/ POWER, SELECT	Press SELECT repeatedly to select zone 2, zone 3 or main zone. Each time you press POWER, the output signals for the selected zone will be turned on or off.
<b>12</b> DMPORT	Press to select the audio/video input signal from the component connected to the DIGITAL MEDIA PORT adapter.
<b>13</b> HDMI	Press to select input source from the component connected to the HDMI IN jack.

Name	Function
<b>14</b> PHONES jack	Connects to headphones.
<b>15</b> SPEAKERS (OFF/A/B/A+B)	Switch to OFF, A, B, A+B of the front speakers.
<b>16</b> VIDEO 3 IN/ PORTABLE AV IN jacks	Connect to a portable audio/video component such as a camcorder or video game.
<b>17</b> MULTI CHANNEL DECODING lamp	Lights up when multi-channel audio signals are decoded.
<b>18</b> INPUT SELECTOR	Turn to select the input source to play back. To select the input source for zone 2 or zone 3, press ZONE/SELECT ( <b>11</b> ) to select zone 2 or zone 3 first ("ZONE 2 INPUT" or "ZONE 3 INPUT" appears on the display), then turn INPUT SELECTOR to select the input source.
<b>19</b> MASTER VOLUME	Turn to adjust the volume level of all speakers at the same time.




Rear panel



**1 DIGITAL INPUT/OUTPUT section**

-  OPTICAL IN/OUT jacks Connect to a DVD player, Super Audio CD player, etc The COAXIAL jack provides a better quality sound
-  COAXIAL IN jacks
-  HDMI IN/OUT\* jacks Connect to a DVD player, Blu-ray Disc Player, or a satellite tuner An image and the sound are output to TV or a projector





**2 Control jack for Sony equipment and other external components**

-  IR REMOTE IN/OUT jacks Connect an IR repeater
-  TRIGGER OUT jacks Connect to interlock on/off of the power supply of other 12V TRIGGER compliant components, or the amplifier/receiver of zone 2 or zone 3
-  CTRL S IN/OUT jacks Connect to Sony TV, DVD player or VCR with CONTROL S jack


**3 DMPORT**

-  Connects to a Sony DIGITAL MEDIA PORT adapter

**4 ANTENNA section**

-  FM ANTENNA jack Connects to the FM wire antenna (aerial) supplied with this receiver
-  AM ANTENNA jack Connects to the AM loop antenna (aerial) supplied with this receiver
-  XM jack Connects to the XM Mini Tuner and Home Dock (not supplied)
-  SIRIUS jack Connects to a SiriusConnect Home tuner (not supplied)


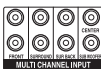

**5 COMPONENT VIDEO INPUT/OUTPUT section**

-  Y, PB/CB, PR/CR IN/OUT\* jacks Connect to a DVD player, TV, or a satellite tuner





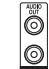
**6 RS-232C port**

-  Used for maintenance and service

**7 AUDIO INPUT/OUTPUT section**

-  AUDIO IN/OUT jacks Connect to a tape deck or MD deck, etc
-  MULTI CHANNEL INPUT jacks Connect to a Super Audio CD player or DVD player with an analog audio jack for 7.1 channel or 5.1 channel sound
-  PRE OUT jacks Connect to an external power amplifier

**8 VIDEO/AUDIO INPUT/OUTPUT section**

-  AUDIO IN/OUT jacks Connect to a VCR or a DVD player etc
-  VIDEO IN/OUT\* jacks
-  S VIDEO IN/OUT\* jacks
-  AUDIO OUT jacks Connect to the component in zone 2 or zone 3
-  EXT VIDEO IN jack Connects to the component when you want to watch in PIP (Picture in Picture) window

**9 SPEAKERS section**

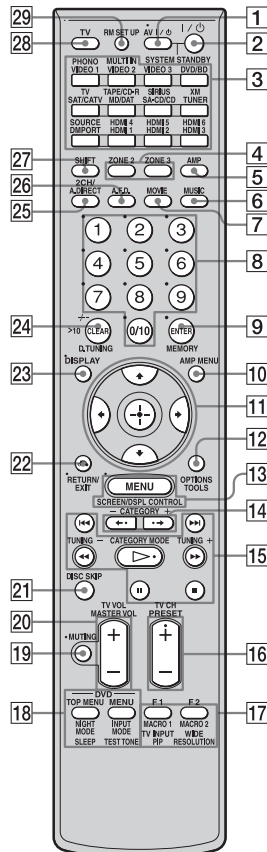
-  Connects to speakers

\* You can watch the selected input image when you connect the MONITOR VIDEO OUT jack to a TV You can operate this receiver using a GUI (Graphical User Interface)

## Remote commander

You can use the supplied remote RM-AAL008 to operate the receiver and to control the Sony audio/video components that the remote is assigned to operate

### RM-AAL008



Name	Function
<b>1</b> AV I/⏻ (on/standby)	Press to turn on or off the audio/video components that the remote is assigned to operate. If you press the I/⏻ (2) at the same time, it will turn off the receiver and other Sony components (SYSTEM STANDBY) <b>Note</b> The function of the AVI/⏻ switch changes automatically each time you press the input button (3)
<b>2</b> I/⏻ (on/standby)	Press to turn the receiver on or off. If ZONE 2 or ZONE 3 is selected, only the main receiver is turned on or off with this button. To turn off all components including an amplifier in zone 2 or zone 3, press I/⏻ and AVI/⏻ (1) at the same time (SYSTEM STANDBY)
<b>3</b> Input buttons	Press one of the buttons to select the component you want to use. Press a pink-labeled button after pressing SHIFT (27). When you press any of the input buttons, the receiver turns on. The buttons are factory assigned to control Sony components. You can program the remote to control non-Sony components following the steps in "Programming the remote"
<b>4</b> ZONE 2 ZONE 3	Press to enable the zone 2 or zone 3 operation
<b>5</b> AMP	Press to enable the receiver operation
<b>6</b> MUSIC	Press to select sound field
<b>7</b> MOVIE	Press to select sound field

Name	Function
<b>8</b> Numeric buttons	Press to <ul style="list-style-type: none"> <li>– preset/tune to preset stations</li> <li>– select track numbers of the CD player, DVD player, Blu-ray Disc Player or MD deck. Press 0/10 to select track number 10</li> <li>– select channel numbers of the VCR or satellite tuner</li> <li>– After pressing TV (28), press the numeric buttons to select the TV channels</li> </ul>
<b>9</b> ENTER	Press to enter the value after selecting a channel, disc or track using the numeric buttons
<b>MEMORY</b>	Press to store a station during tuner operation
<b>10</b> AMP MENU	Press to display the menu to operate the receiver
<b>11</b>	Press /// to select the menu items. Then press  to enter the selection
<b>12</b> OPTIONS	Press to display and select items from option menus for receiver and DVD player, Blu-ray Disc Player
<b>TOOLS</b>	Press to display and select items from the option menus for DVD player or Blu-ray Disc Player, etc
<b>13</b> MENU	Press to display the menu to operate the audio/video components
<b>SCREEN/DSPL CONTROL</b>	Press SHIFT (27), then press MENU to switch the display mode of the menu between SCREEN (to display the menu on the TV screen) and DSPL (to display the menu in the display window)
<b>14</b> CATEGORY +/-	Press to select the category for satellite tuner
<b>15</b> a)  a)  a)  a) b)  a)	Press to operate the DVD player, Blu-ray Disc Player, CD player, MD deck, tape deck, or component connected to the DIGITAL MEDIA PORT adapter etc
<b>CATEGORY MODE</b>	Press to select the category mode for satellite tuner
<b>TUNING +/-</b>	Press to select station
<b>16</b> PRESET + b)/-	Press to register FM/AM/satellite tuner stations or to select preset stations
<b>TV CH +/-</b>	Press TV (28), then press TV CH +/- to operate the TV, satellite tuner, VCR, etc
<b>17</b> F1/F2	Press TV (28), then press F1 or F2 to select a component to operate <ul style="list-style-type: none"> <li>• HDD recorder               <ul style="list-style-type: none"> <li>F1: HDD</li> <li>F2: DVD player, Blu-ray Disc Player</li> </ul> </li> <li>• DVD/VHS combo player               <ul style="list-style-type: none"> <li>F1: DVD player, Blu-ray Disc Player</li> <li>F2: VHS</li> </ul> </li> </ul>
<b>MACRO1, MACRO2</b>	Press AMP (5), then press MACRO 1 or MACRO 2 to set up the macro function
<b>TV/INPUT</b>	Press TV/INPUT and TV (28) at the same time to select the input signal (TV input or video input)
<b>WIDE</b>	Press repeatedly to select the wide picture mode
<b>PIP</b>	Press SHIFT (27), then press PIP to switch the image of the PIP (Picture in Picture) window. The image will be changed as follows: EXT VIDEO → ZONE 2 VIDEO → OFF. You can swap the position of the main screen and the PIP window (swap) by pressing the  (11). You can also move the window position using /// (11) <b>Note</b> The HDMI video signals are not output while the PIP window is displayed
<b>RESOLUTION</b>	Press SHIFT (27), then press RESOLUTION repeatedly to change the resolution of signals output from the HDMI OUT or COMPONENT VIDEO MONITOR OUT jack

Name	Function
<b>18</b> DVD/ TOP MENU, MENU	Press to display the menus of the DVD player on the TV screen. Then use /// and  to perform a menu operations
<b>NIGHT MODE</b>	Press AMP (5), then press NIGHT MODE to activate the NIGHT MODE function
<b>INPUT MODE</b>	Press AMP (5), then press INPUT MODE to select the input mode when the same components are connected to both digital and analog jacks
<b>SLEEP</b>	Press SHIFT (27), then press SLEEP to activate the sleep timer function and the duration which the receiver turns off automatically
<b>TEST TONE</b>	Press SHIFT (27), then press TEST TONE to output the test tone from each speaker
<b>19</b> MUTING	Press to turn off the sound temporarily. Press the button again to restore the sound
<b>20</b> MASTER VOL +/-	Press to adjust the volume level of all speakers at the same time
<b>TV VOL +/-</b>	Press TV (28), then press TV VOL +/- to adjust the volume level of the TV
<b>21</b> DISC SKIP	Press to skip a disc when using a multi-disc changer
<b>22</b> RETURN/EXIT	Press to return to the previous menu or exit the menu while the menu or on-screen guide of the VCR, DVD player, or satellite tuner is displayed on the TV screen
<b>23</b> DISPLAY	Press to select information displayed in the display window, TV screen of the VCR, satellite tuner, CD player, DVD player, Blu-ray Disc Player, or MD deck <b>Note</b> In the SCREEN mode, press the button to display the menu on the TV screen
<b>24</b> CLEAR	Press to <ul style="list-style-type: none"> <li>– clear a mistake when you press the incorrect numeric button</li> <li>– return to continuous playback, etc of the satellite tuner or DVD player</li> </ul>
<b>&gt;10</b>	Press to select <ul style="list-style-type: none"> <li>– track numbers over 10 of the VCR, satellite tuner, CD player or MD deck</li> <li>– channel numbers of the Digital CATV terminal</li> </ul>
<b>D.TUNING</b>	Press to enter direct tuning mode
<b>25</b> 2CH/ A.DIRECT	Press to select sound field or to switch the audio of the selected input to analog signal without any adjustment
<b>26</b> A.F.D.	Press to select sound field
<b>27</b> SHIFT	Press to light up the button. It changes the remote button function to activate the buttons with pink printing
<b>28</b> TV	Press to enable the TV operation
<b>29</b> RM SET UP	Press to set up the remote

a) See the table for information on the buttons that you can use to control each component

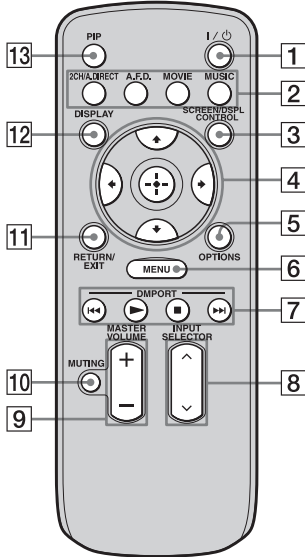
b) The tactile dot is attached to these buttons (, PRESET+). Use as a mark of operation







### Notes









- Some functions explained in this section may not work depending on the model
- The above explanation is intended to serve as an example only. Therefore, depending on the component, the above operation may not be possible or may operate differently than described

## RM-AAU016

This remote can only be used to operate the receiver. You can control the main functions of the receiver with simple operations using this remote.



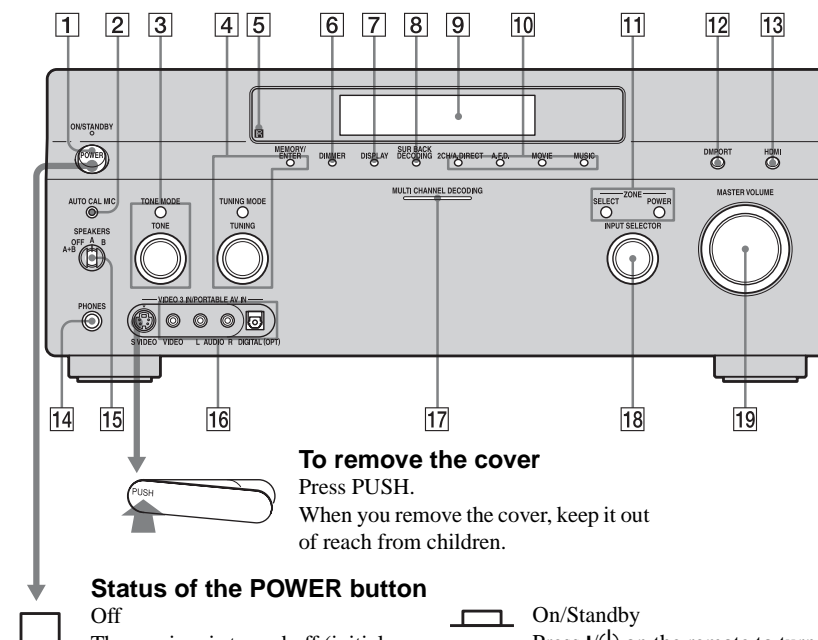
Name	Function
<b>1</b> I/⏻ (on/standby)	Press to turn a receiver on or off.
<b>2</b> 2CH/ A.DIRECT A.F.D. MOVIE MUSIC	Press to select sound field.
<b>3</b> SCREEN/ DSPL CONTROL	Press to switch the display mode of the menu between SCREEN (to display the menu on the TV screen) and DSPL (to display the menu in the display window).
<b>4</b> 	After pressing SCREEN/DSPL CONTROL ( <b>3</b> ), press  /  /  /  to select the menu item. Then press  to enter the selection.

Name	Function
<b>5</b> OPTIONS	Press to display and select items from option menus.
<b>6</b> MENU	Press to display the menu to operate the receiver.
<b>7</b> DMPORT	Press to operate the component connected to the DIGITAL MEDIA PORT adapter.
	Starts play.
	Stops play.
	Skips tracks.
<b>8</b> INPUT SELECTOR	Press to select the input source to play back.
<b>9</b> MASTER VOLUME +/-	Press to adjust the volume level.
<b>10</b> MUTING	Press to turn off the sound temporarily. Press the button again to restore the sound.
<b>11</b> RETURN/EXIT	Press to return to the previous menu or exit the menu.
<b>12</b> DISPLAY	Press to select information displayed in the display window. <b>Note</b> In the SCREEN mode, press the button to display the menu on the TV screen.
<b>13</b> PIP	Press PIP to switch the image of the PIP (Picture in Picture) window. The image will be changed as follows. EXT VIDEO → ZONE 2 VIDEO → OFF. You can swap the position of the main screen and the PIP window (swap) by pressing the  ( <b>4</b> ). You can also move the window position using  /  /  /  ( <b>4</b> ). <b>Note</b> The HDMI video signals are not output while the PIP window is displayed.

Getting Started

Description and location of parts (AEP, Russian, Ukrainian and UK models)

Front panel



**To remove the cover**  
Press PUSH.  
When you remove the cover, keep it out of reach from children.

**Status of the POWER button**

**Off**  
The receiver is turned off (initial setting).  
Press POWER to turn the receiver on. You cannot turn the receiver on using the remote.

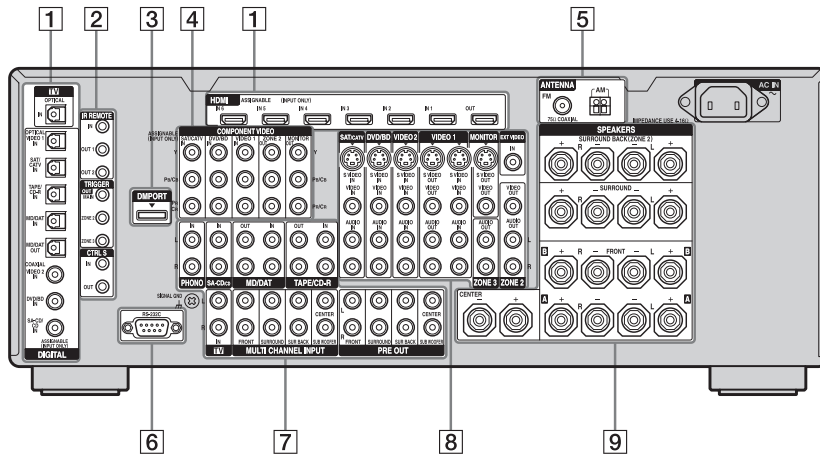
**On/Standby**  
Press I/⏻ on the remote to turn the receiver on or set it to the standby mode.  
When you press POWER on the receiver, the receiver will be turned off.

Name	Function
<b>1 POWER</b>	Press to turn the receiver on or off.
<b>2 AUTO CAL MIC jack</b>	Connects to the supplied optimizer microphone for the Digital Cinema Auto Calibration function.
<b>3 TONE MODE TONE</b>	Adjusts FRONT/CENTER/SURROUND/SURROUND BACK BASS and TREBLE. Press TONE MODE repeatedly to select BASS or TREBLE, then turn TONE to adjust the level.
<b>4 MEMORY/ENTER TUNING MODE TUNING</b>	Press to operate a tuner (FM/AM).
<b>5 Remote sensor</b>	Receives signals from remote commander.
<b>6 DIMMER</b>	Press repeatedly to adjust brightness of the display.
<b>7 DISPLAY</b>	Press repeatedly to select information displayed on the display.




Name	Function
<b>8 SUR BACK DECODING</b>	Press to activate SB DECODING.
<b>9 Display window</b>	The current status of the selected component or a list of selectable items appears here.
<b>10 2CH/A.DIRECT A.F.D. MOVIE MUSIC</b>	Press to select sound field.
<b>11 ZONE/POWER, SELECT</b>	Press SELECT repeatedly to select zone 2, zone 3 or main zone. Each time you press POWER, the output signals for the selected zone will be turned on or off.
<b>12 DMPORT</b>	Press to select the audio/video input signal from the component connected to the DIGITAL MEDIA PORT adapter.
<b>13 HDMI</b>	Press to select input source from the component connected to the HDMI IN jack.

Name	Function
<b>14 PHONES jack</b>	Connects to headphones.
<b>15 SPEAKERS (OFF/A/B/A+B)</b>	Switch to OFF, A, B, A+B of the front speakers.
<b>16 VIDEO 3 IN/ PORTABLE AV IN jacks</b>	Connect to a portable audio/video component such as a camcorder or video game.
<b>17 MULTI CHANNEL DECODING lamp</b>	Lights up when multi-channel audio signals are decoded.
<b>18 INPUT SELECTOR</b>	Turn to select the input source to play back. To select the input source for zone 2 or zone 3, press ZONE/SELECT (11) to select zone 2 or zone 3 first ("ZONE 2 INPUT" or "ZONE 3 INPUT" appears on the display), then turn INPUT SELECTOR to select the input source.
<b>19 MASTER VOLUME</b>	Turn to adjust the volume level of all speakers at the same time.




Rear panel



**1** DIGITAL INPUT/OUTPUT section

-  OPTICAL IN/OUT jacks Connect to a DVD player, Super Audio CD player, etc The COAXIAL jack provides a better quality sound
-  COAXIAL IN jacks
-  HDMI IN/OUT\* jacks Connect to a DVD player, Blu-ray Disc Player, or a satellite tuner An image and the sound are output to TV or a projector



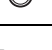
**2** Control jack for Sony equipment and other external components

-  IR REMOTE IN/OUT jacks Connect an IR repeater
-  TRIGGER OUT jacks Connect to interlock on/off of the power supply of other 12V TRIGGER compliant components, or the amplifier/receiver of zone 2 or zone 3
-  CTRL S IN/OUT jacks Connect to Sony TV, DVD player or VCR with CONTROL S jack



**3** DMPORT

-  Connects to a Sony DIGITAL MEDIA PORT adapter

**4** COMPONENT VIDEO INPUT/OUTPUT section

-  Y, P<sub>B</sub>/C<sub>B</sub>, P<sub>R</sub>/C<sub>R</sub> IN/OUT\* jacks Connect to a DVD player, TV, or a satellite tuner
- 
- 



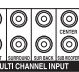

**5** ANTENNA section

-  FM ANTENNA jack Connects to the FM wire antenna (aerial) supplied with this receiver
-  AM ANTENNA jack Connects to the AM loop antenna (aerial) supplied with this receiver








**6** RS-232C port

-  Used for maintenance and service

**7** AUDIO INPUT/OUTPUT section

-  L AUDIO IN/OUT jacks Connect to a tape deck or MD deck, etc
- 
-  MULTI CHANNEL INPUT jacks Connect to a Super Audio CD player or DVD player with an analog audio jack for 7 1 channel or 5 1 channel sound
-  PRE OUT jacks Connect to an external power amplifier

**8** VIDEO/AUDIO INPUT/OUTPUT section

-  L AUDIO IN/OUT jacks Connect to a VCR or a DVD player etc
- 
-  VIDEO IN/OUT\* jacks
-  S VIDEO IN/OUT\* jacks
-  AUDIO OUT jacks VIDEO OUT jack Connect to the component in zone 2 or zone 3
- 
-  EXT VIDEO IN jack Connects to the component when you want to watch in PIP (Picture in Picture) window

**9** SPEAKERS section

-  Connects to speakers

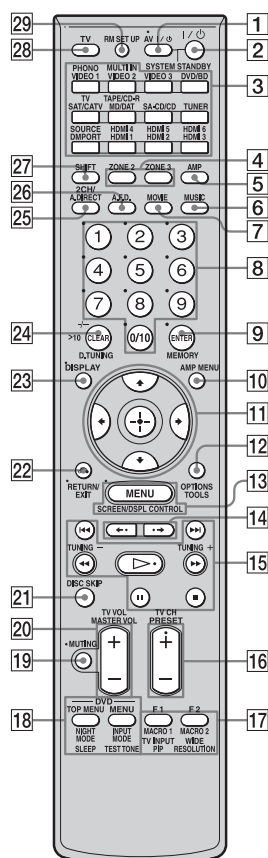
\* You can watch the selected input image when you connect the MONITOR VIDEO OUT jack to a TV You can operate this receiver using a GUI (Graphical User Interface)



## Remote commander

You can use the supplied remote RM-AAL009 to operate the receiver and to control the Sony audio/video components that the remote is assigned to operate

### RM-AAL009



Name	Function
<b>1</b> AV I/⏻ (on/standby)	Press to turn on or off the audio/video components that the remote is assigned to operate If you press the I/⏻ (2) at the same time, it will turn off the receiver and other Sony components (SYSTEM STANDBY) <b>Note</b> The function of the AVI/⏻ switch changes automatically each time you press the input button (3)
<b>2</b> I/⏻ (on/standby)	Press to turn the receiver on or off If ZONE 2 or ZONE 3 is selected, only the main receiver is turned on or off with this button To turn off all components including an amplifier in zone 2 or zone 3, press I/⏻ and AVI/⏻ (1) at the same time (SYSTEM STANDBY) <b>Saving the power in standby mode.</b> When "HDMI Control" and "RS-232C Control" are set to "OFF"
<b>3</b> Input buttons	Press one of the buttons to select the component you want to use Press a pink-labeled button after pressing SHIFT (27) When you press any of the input buttons, the receiver turns on The buttons are factory assigned to control Sony components You can program the remote to control non-Sony components following the steps in "Programming the remote"
<b>4</b> ZONE 2 ZONE 3	Press to enable the zone 2 or zone 3 operation
<b>5</b> AMP	Press to enable the receiver operation
<b>6</b> MUSIC	Press to select sound field

Name	Function
<b>7</b> MOVIE	Press to select sound field
<b>8</b> Numeric buttons	Press to - preset/tune to preset stations - select track numbers of the CD player, DVD player, Blu-ray Disc Player or MD deck Press 0/10 to select track number 10 - select channel numbers of the VCR or satellite tuner - After pressing TV (28), press the numeric buttons to select the TV channels
<b>9</b> ENTER	Press to enter the value after selecting a channel, disc or track using the numeric buttons
<b>MEMORY</b>	Press to store a station during tuner operation
<b>10</b> AMP MENU	Press to display the menu to operate the receiver
<b>11</b>	Press  to select the menu items Then press  to enter the selection
<b>12</b> OPTIONS	Press to display and select items from option menus for receiver and DVD player, Blu-ray Disc Player
<b>TOOLS</b>	Press to display and select items from the option menus for DVD player or Blu-ray Disc Player, etc
<b>13</b> MENU	Press to display the menu to operate the audio/video components
<b>SCREEN/DSPL CONTROL</b>	Press SHIFT (27), then press MENU to switch the display mode of the menu between SCREEN (to display the menu on the TV screen) and DSPL (to display the menu in the display window)
<b>14</b>	Press to select the album
<b>15</b>	Press to operate the DVD player, Blu-ray Disc Player, CD player, MD deck, tape deck, or component connected to the DIGITAL MEDIA PORT adapter etc
<b>TUNING +/-</b>	Press to select station
<b>16</b> PRESET + b)/-	Press to register FM/AM Radio station or to select preset stations
<b>TV CH +/-</b>	Press TV (28), then press TV CH +/- to operate the TV, satellite tuner, VCR, etc
<b>17</b> F1/F2	Press TV (28), then press F1 or F2 to select a component to operate • HDD recorder F1: HDD F2: DVD player, Blu-ray Disc Player • DVD/VHS combo player F1: DVD player, Blu-ray Disc Player F2: VHS
<b>MACRO1, MACRO2</b>	Press AMP (5), then press MACRO 1 or MACRO 2 to set up the macro function
<b>TV/INPUT</b>	Press TV/INPUT and TV (28) at the same time to select the input signal (TV input or video input)
<b>WIDE</b>	Press repeatedly to select the wide picture mode
<b>PIP</b>	Press SHIFT (27), then press PIP to switch the image of the PIP (Picture in Picture) window The image will be changed as follows EXT VIDEO → ZONE 2 VIDEO → OFF You can swap the position of the main screen and the PIP window (swap) by pressing the  (11) You can expand or shrink the window using  (11) You can also change the window's position using  (11) <b>Note</b> The HDMI video signals are not output while the PIP window is displayed
<b>RESOLUTION</b>	Press SHIFT (27), then press RESOLUTION repeatedly to change the resolution of signals output from the HDMI OUT or COMPONENT VIDEO MONITOR OUT jack

Name	Function
<b>18</b> DVD/TOP MENU, MENU	Press to display the menus of the DVD player on the TV screen Then use  and  to perform a menu operations
<b>NIGHT MODE</b>	Press AMP (5), then press NIGHT MODE to activate the NIGHT MODE function
<b>INPUT MODE</b>	Press AMP (5), then press INPUT MODE to select the input mode when the same components are connected to both digital and analog jacks
<b>SLEEP</b>	Press SHIFT (27), then press SLEEP to activate the sleep timer function and the duration which the receiver turns off
<b>TEST TONE</b>	Press SHIFT (27), then press TEST TONE to output the test tone from each speaker
<b>19</b> MUTING	Press to turn off the sound temporarily Press the button again to restore the sound
<b>20</b> MASTER VOL +/-	Press to adjust the volume level of all speakers at the same time
<b>TV VOL +/-</b>	Press TV (28), then press TV VOL +/- to adjust the volume level of the TV
<b>21</b> DISC SKIP	Press to skip a disc when using a multi-disc changer
<b>22</b> RETURN/EXIT	Press to return to the previous menu or exit the menu while the menu or on-screen menu or on-screen guide of the VCR, DVD player, or satellite tuner is displayed on the TV screen
<b>23</b> DISPLAY	Press to select information displayed in the display window, TV screen of the VCR, satellite tuner, CD player, DVD player, Blu-ray Disc Player, or MD deck <b>Note</b> In the SCREEN mode, press the button to display the menu on the TV screen
<b>24</b> CLEAR	Press to - clear a mistake when you press the incorrect numeric button - return to continuous playback, etc of the satellite tuner or DVD player
<b>&gt;10</b>	Press to select - track numbers over 10 of the VCR, satellite tuner, CD player or MD deck - channel numbers of the Digital CATV terminal
<b>D.TUNING</b>	Press to enter direct tuning mode
<b>25</b> 2CH/A.DIRECT	Press to select sound field or to switch the audio of the selected input to analog signal without any adjustment
<b>26</b> A.F.D.	Press to select sound field
<b>27</b> SHIFT	Press to light up the button It changes the remote button function to activate the buttons with pink printing
<b>28</b> TV	Press to enable the TV operation
<b>29</b> RM SET UP	Press to set up the remote

a) See the table for information on the buttons that you can use to control each component

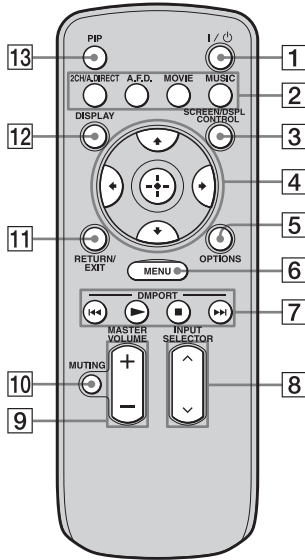
b) The tactile dot is attached to these buttons (, PRESET+) Use as a mark of operation


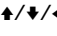
### Notes







- Some functions explained in this section may not work depending on the model
- The above explanation is intended to serve as an example only Therefore, depending on the component, the above operation may not be possible or may operate differently than described

## RM-AAU016

This remote can only be used to operate the receiver. You can control the main functions of the receiver with simple operations using this remote.




Name	Function
<b>1</b> I/⏻ (on/standby)	Press to turn a receiver on or off.
<b>2</b> 2CH/ A.DIRECT A.F.D. MOVIE MUSIC	Press to select sound field.
<b>3</b> SCREEN/ DSPL CONTROL	Press to switch the display mode of the menu between SCREEN (to display the menu on the TV screen) and DSPL (to display the menu in the display window).
<b>4</b>  ↑/↓/←/→	After pressing SCREEN/DSPL CONTROL ( <b>3</b> ), press ↑/↓/←/→ to select the menu item. Then press  to enter the selection.

Name	Function
<b>5</b> OPTIONS	Press to display and select items from option menus.
<b>6</b> MENU	Press to display the menu to operate the receiver.
<b>7</b> DMPORT	Press to operate the component connected to the DIGITAL MEDIA PORT adapter.
	Starts play.
	Stops play.
	Skips tracks.
<b>8</b> INPUT SELECTOR	Press to select the input source to play back.
<b>9</b> MASTER VOLUME +/-	Press to adjust the volume level.
<b>10</b> MUTING	Press to turn off the sound temporarily. Press the button again to restore the sound.
<b>11</b> RETURN/EXIT	Press to return to the previous menu or exit the menu.
<b>12</b> DISPLAY	Press to select information displayed in the display window. <b>Note</b> In the SCREEN mode, press the button to display the menu on the TV screen.
<b>13</b> PIP	Press PIP to switch the image of the PIP (Picture in Picture) window. The image will be changed as follows. EXT VIDEO → ZONE 2 VIDEO → OFF. You can swap the position of the main screen and the PIP window (swap) by pressing the  ( <b>4</b> ). You can expand or shrink the window using  ( <b>4</b> ). You can also change the window's position using  ( <b>4</b> ). <b>Note</b> The HDMI video signals are not output while the PIP window is displayed.

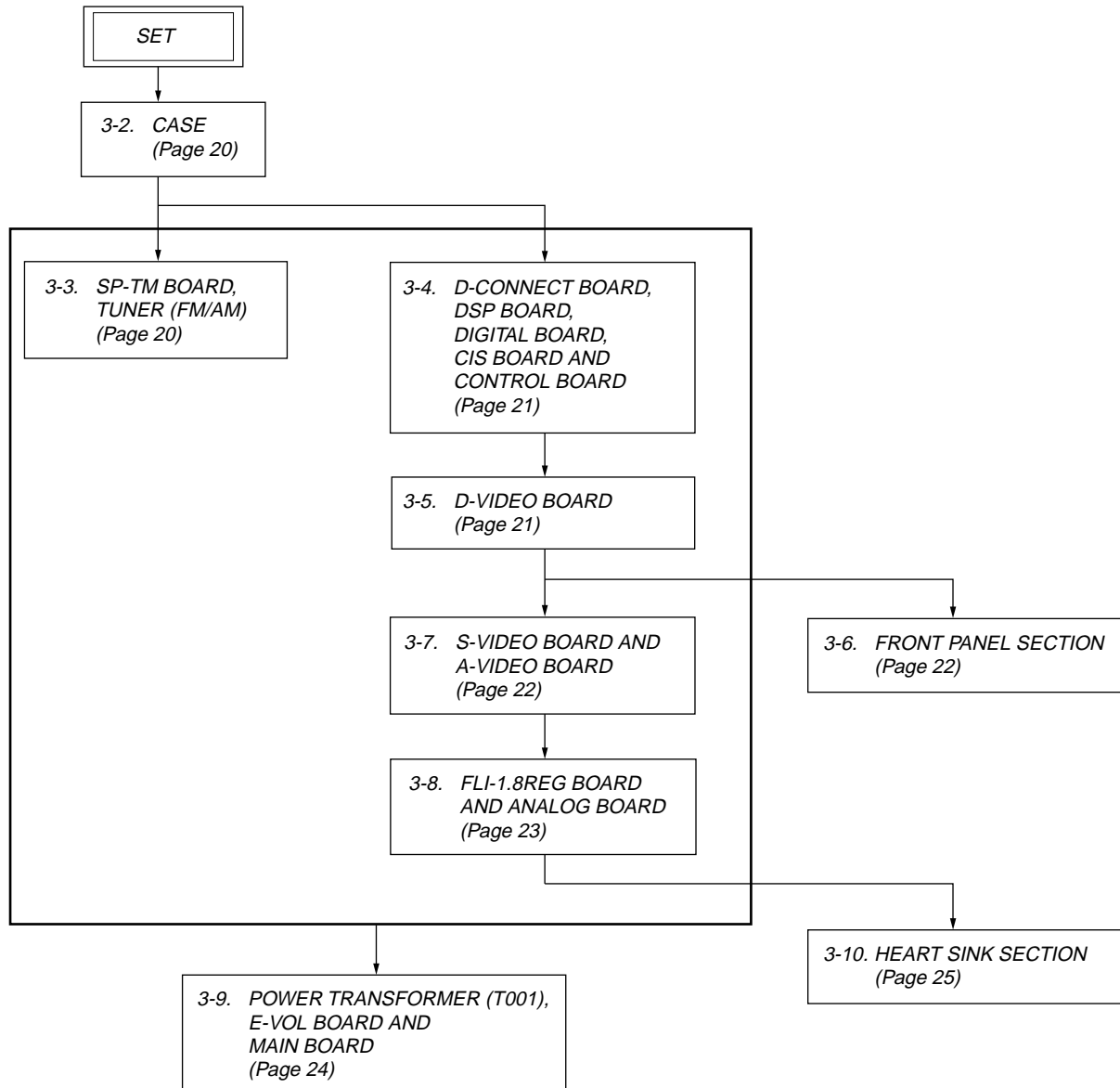
## SECTION 3 DISASSEMBLY

- This set can be disassembled in the order shown below.

### 3-1. DISASSEMBLY FLOW

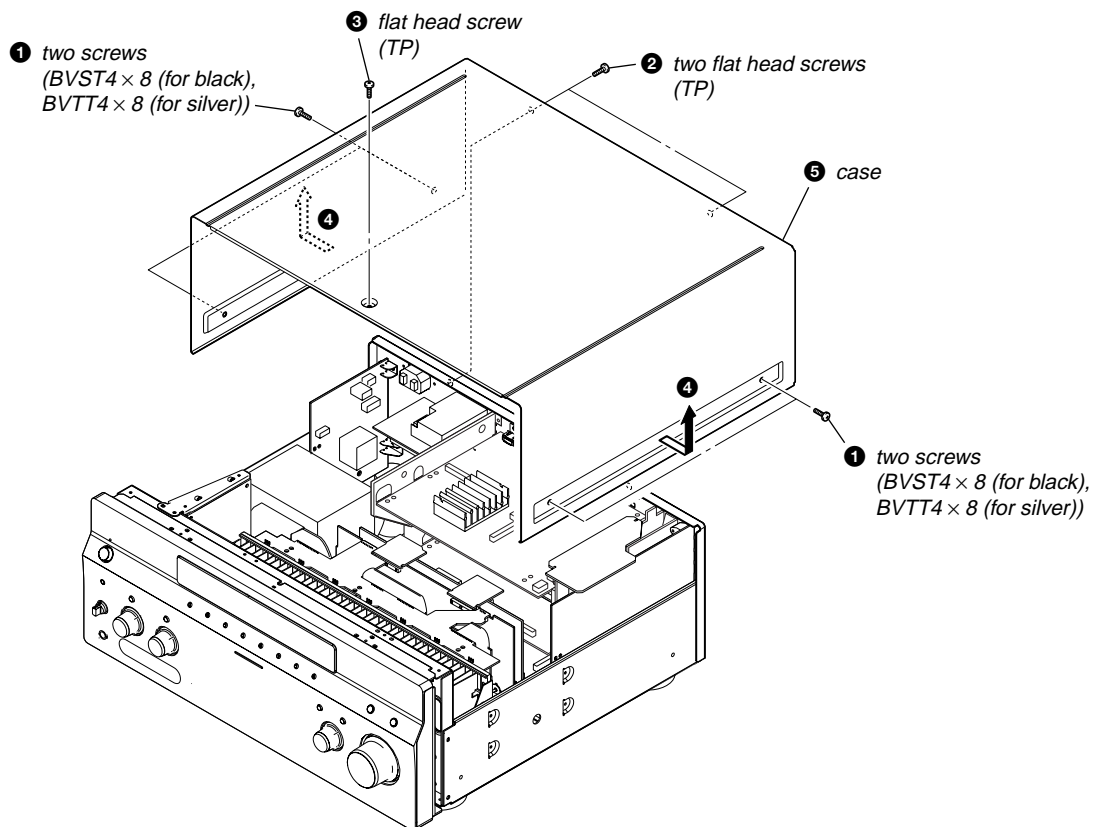
**Note 1:** The process described in  can be performed in any order.

**Note 2:** Without completing the process described in , the next process can not be performed.

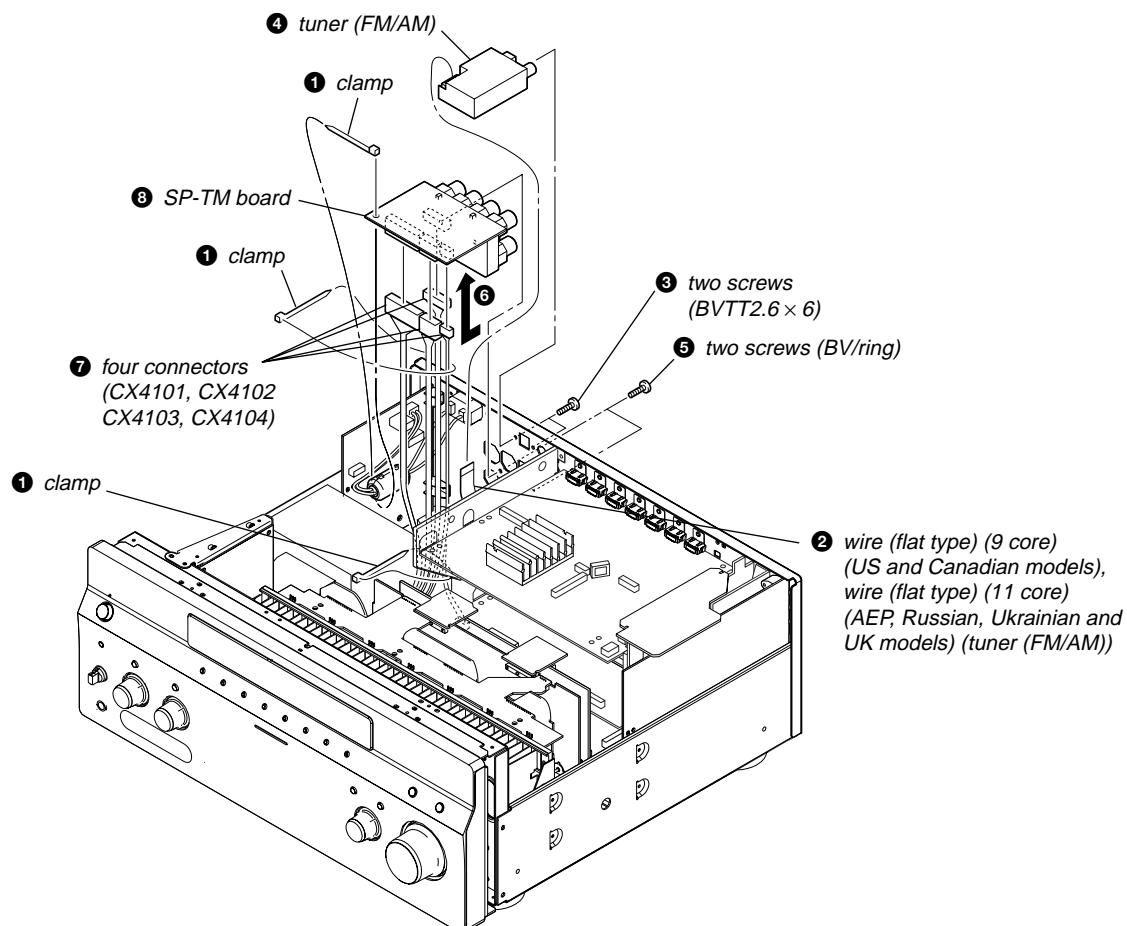


**Note:** Follow the disassembly procedure in the numerical order given.

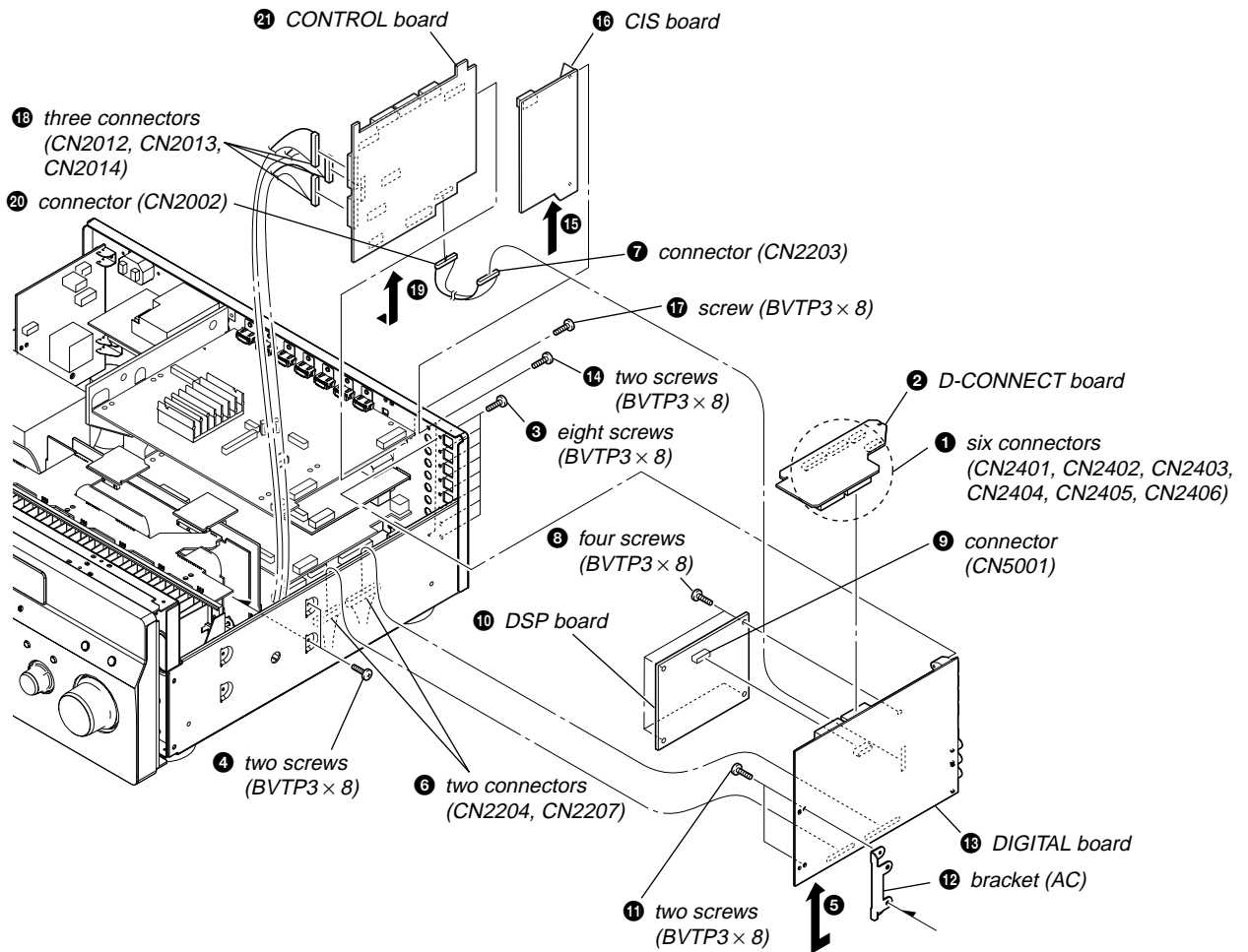
## 3-2. CASE



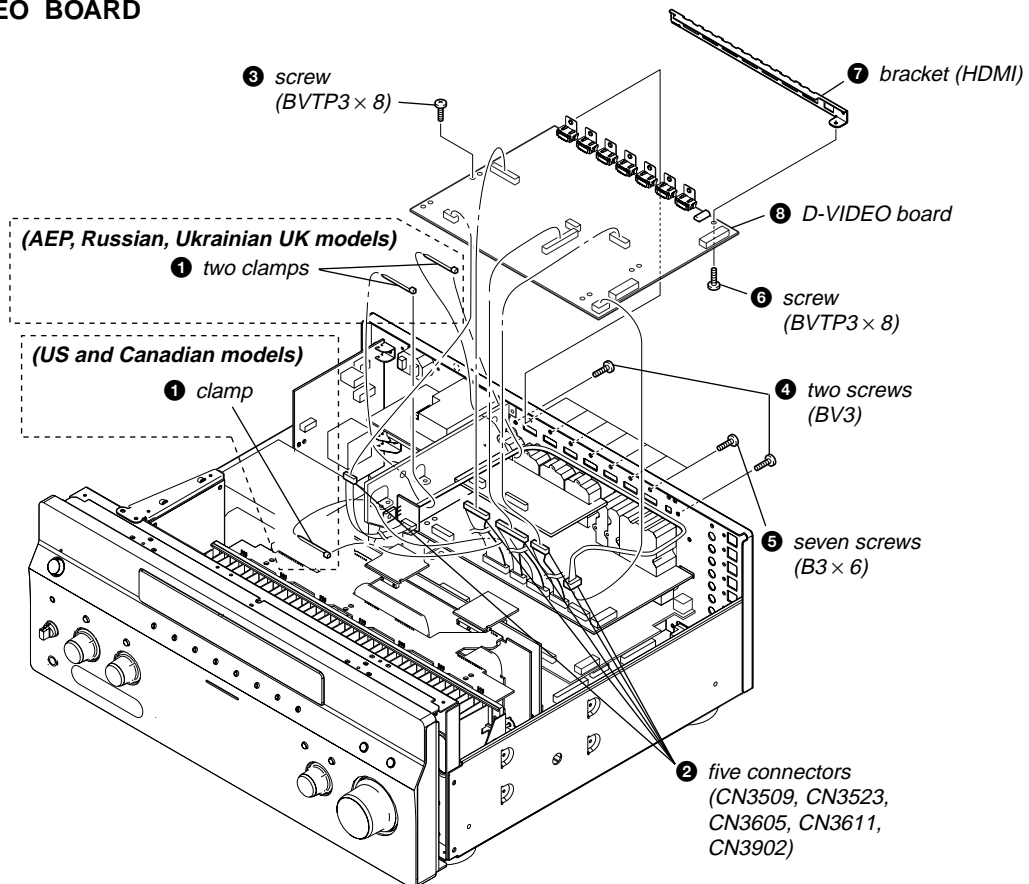
## 3-3. SP-TM BOARD, TUNER (FM/AM)



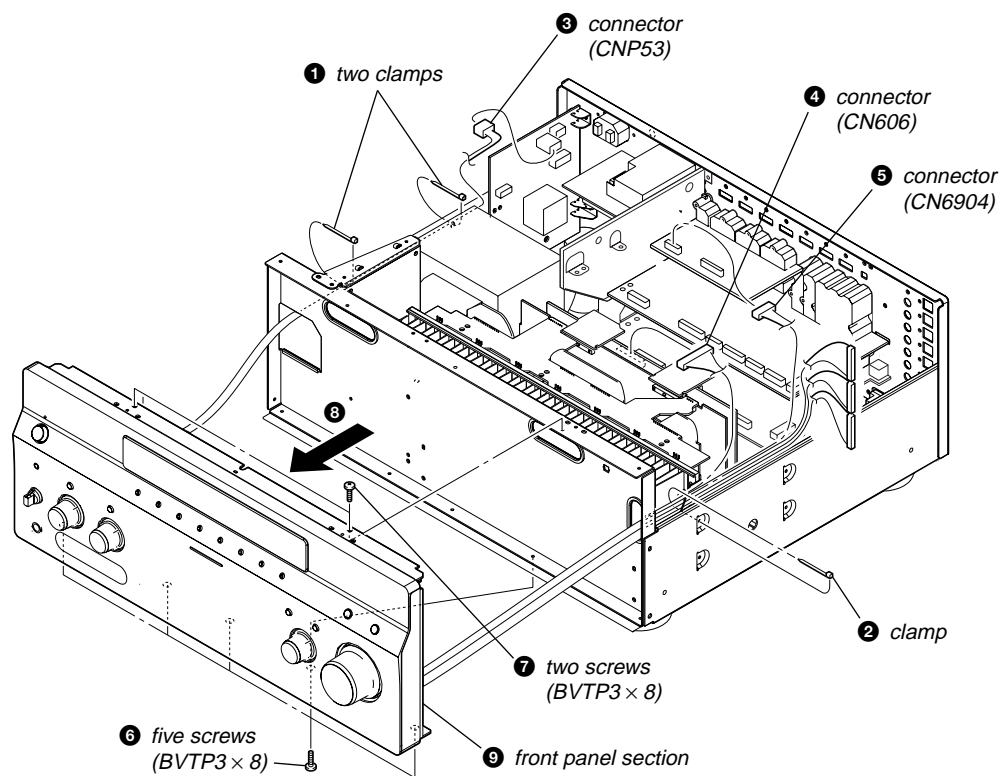
**3-4. D-CONNECT BOARD, DSP BOARD, DIGITAL BOARD, CIS BOARD AND CONTROL BOARD**



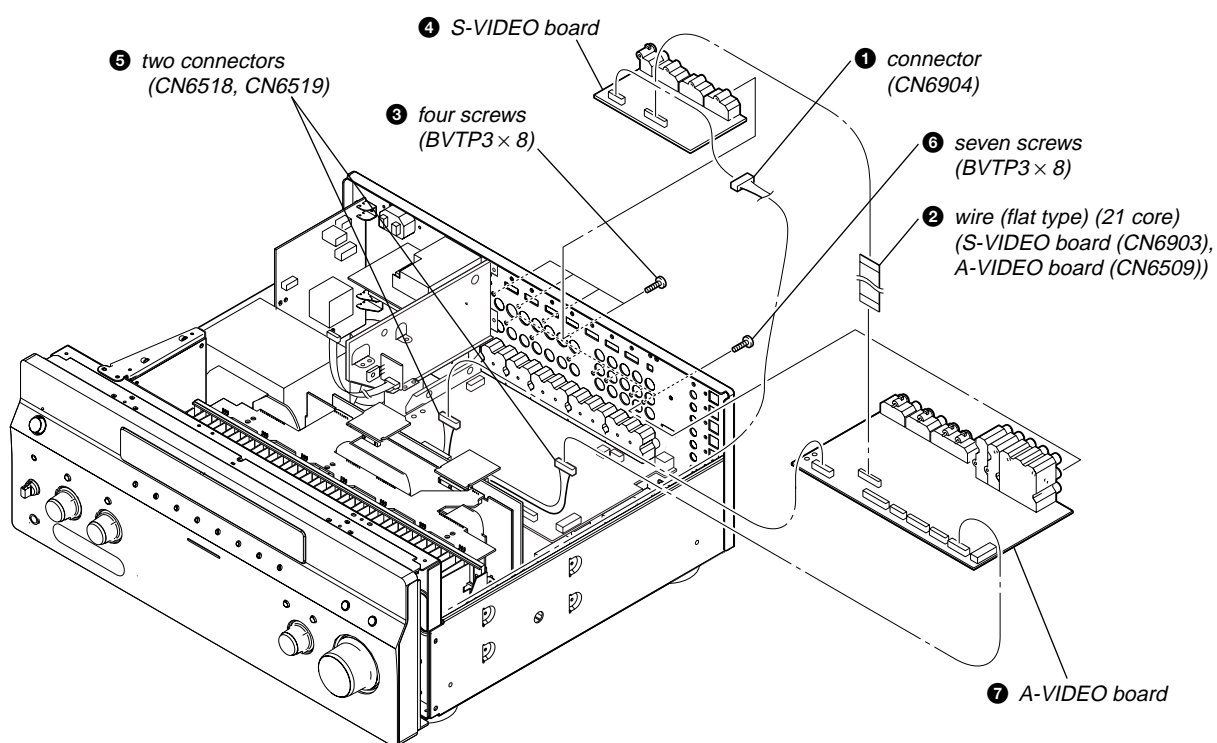
**3-5. D-VIDEO BOARD**



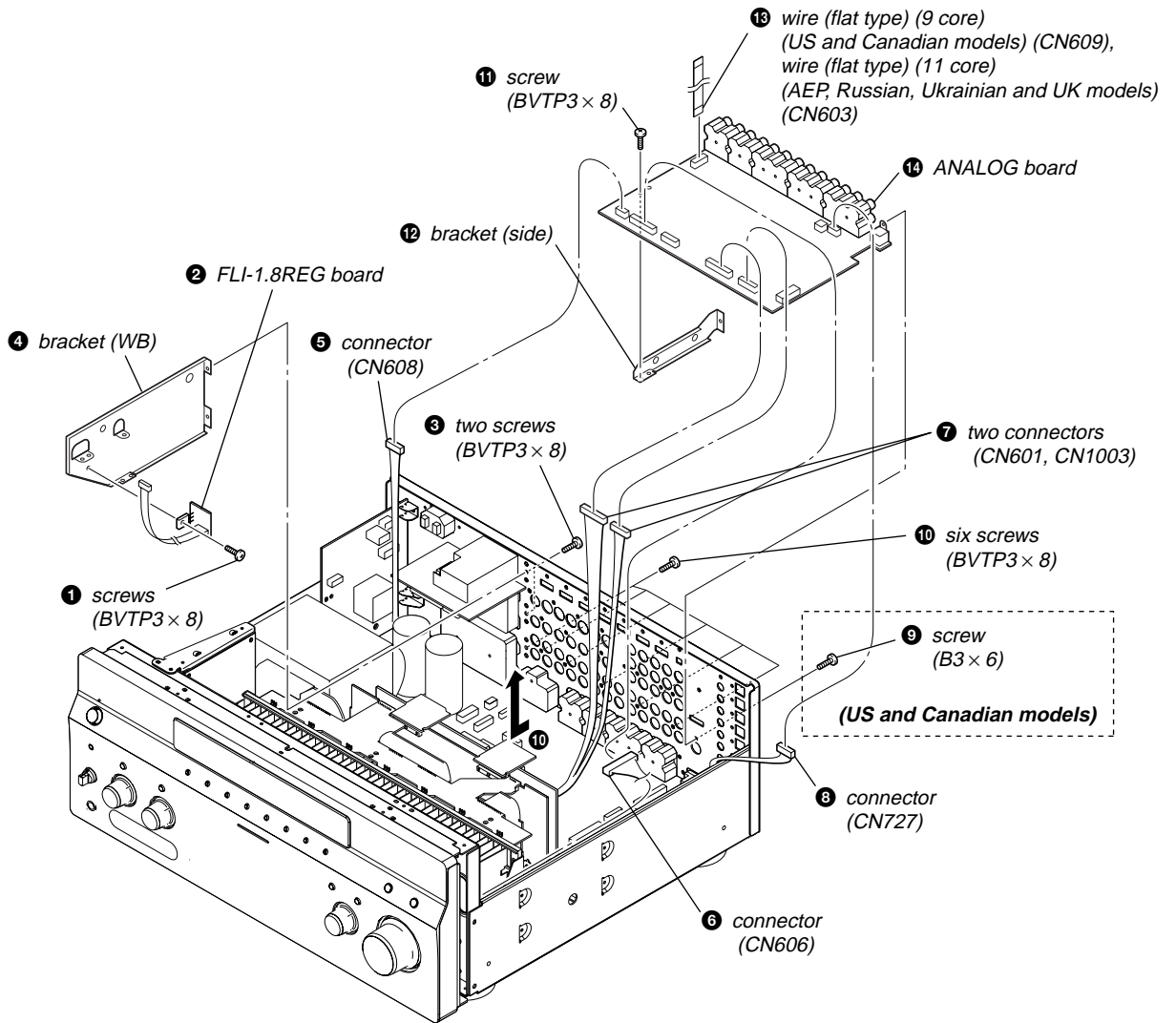
3-6. FRONT PANEL SECTION



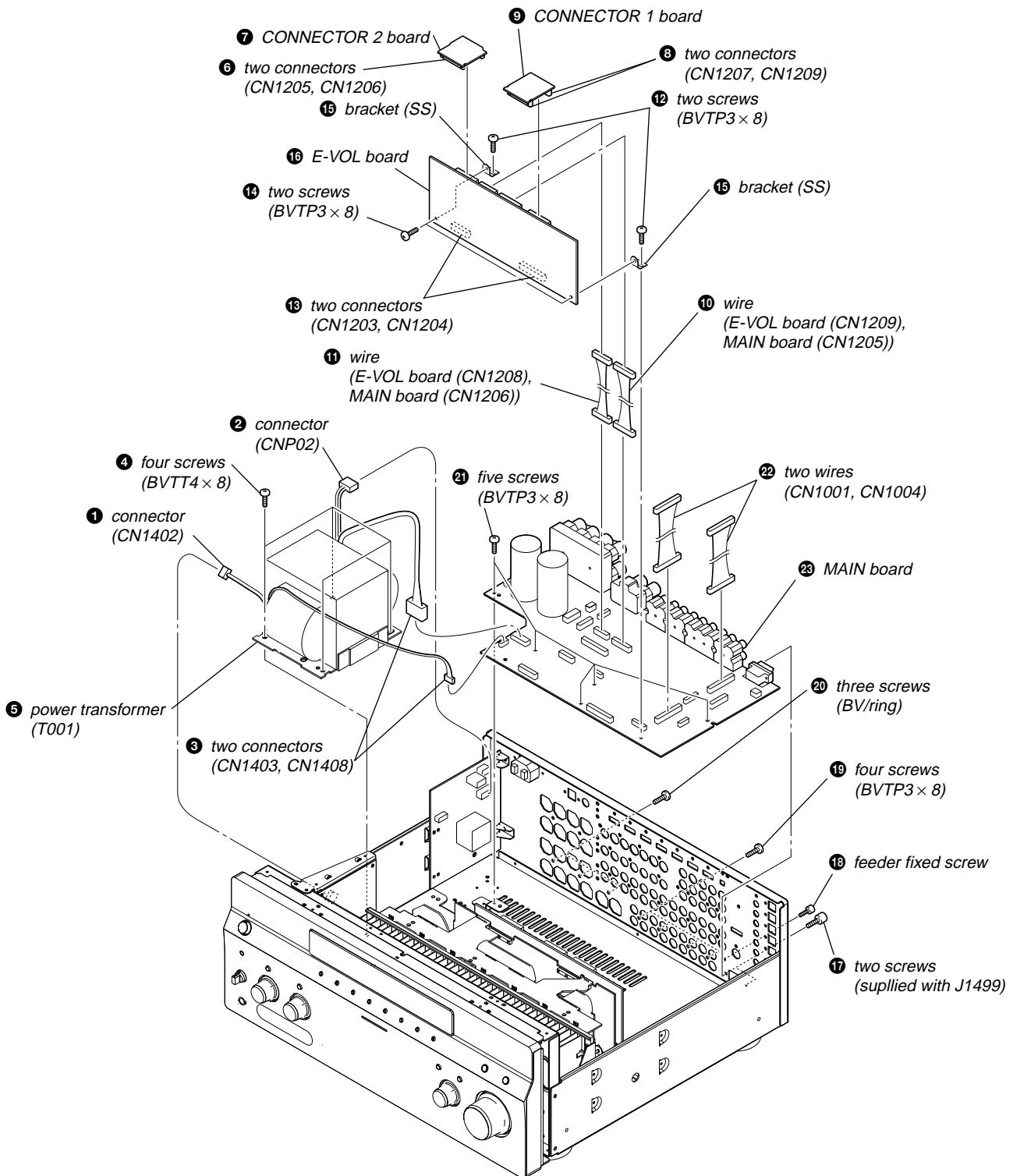
3-7. S-VIDEO BOARD AND A-VIDEO BOARD



**3-8. FLI-1.8REG BOARD AND ANALOG BOARD**

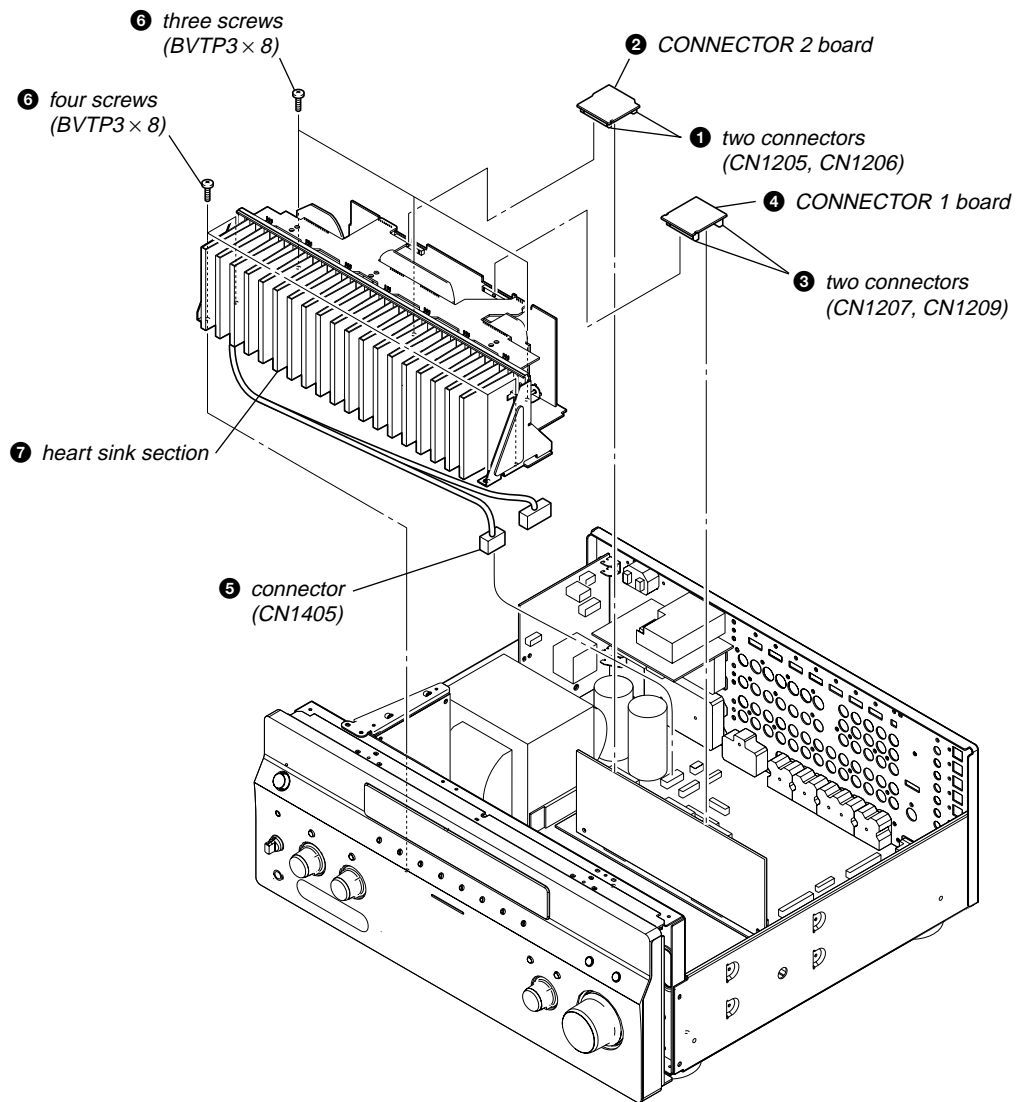


3-9. POWER TRANS FORMER (T001), E-VOL BOARD AND MAIN BOARD





## 3-10. HEAT SINK SECTION



## SECTION 4 TEST MODE

### MEMORY CLEARING MODE

All preset contents are cleared when this mode is activated. Use this mode before returning the product to clients upon completion of repair.

#### Procedure:

1. While pressing the [TONE MODE] and [DMPORT] buttons, press the [POWER] button to turn on the main power.
2. The message "MEMORY CLEARING\*\*\*" appears and the memories are reset to the default values.
3. When done, the message "MEMORY CLEARED\*" appears.

### FLUORESCENT INDICATOR TUBE PATTERN CHECK MODE

All fluorescent segments are tested. When this test is activated, all segments turn on at the same time, then each segment turns on one after another.

#### Procedure:

1. While pressing the [MOVIE] and [DMPORT] buttons, press the [POWER] button to turn on the main power.
2. All segments and all LEDs turn on.

### SOUND FIELD CLEAR MODE

The preset sound field is cleared when this mode is activated. Use this mode before returning the product to clients upon completion of repair.

#### Procedure:

1. While pressing the [MUSIC] button, press the [POWER] button to turn on the main power.
2. The message "S. F. Initialize" appears and initialization is performed.

### TUNER AM STEP CHANGE (9 kHz/10 kHz) MODE (US and Canadian models only)

Either the 9 kHz step or 10 kHz step can be selected for the AM channel step.

#### Procedure:

1. Press the [POWER] button to turn on the main power.
2. Turn the [INPUT SELECTOR] dial to select the "AM".
3. Press the [POWER] button to turn off the main power.
4. While pressing the [TUNING MODE] button, press the [POWER] button to turn on the main power.
5. Either the message "AM 9kHz Step" or "AM 10kHz Step" appears, select the desired step.

### COMMAND MODE CHANGE MODE

The command mode of the remote-commander which this set receives can be changed.

#### Procedure:

1. While pressing the [2CH/A. DIRECT] button, press the [POWER] button to turn on the main power.
2. Either the message "COMMAND MODE [AV1]" or "COMMAND MODE [AV2]" appears. Select the desired mode.

### SF LOCK ON/OFF CHANGE MODE

#### Procedure:

1. While pressing the [MUSIC] and [DMPORT] buttons, press the [POWER] button to turn on the main power.
2. Either the message "SF LOCK [OFF]" or "SF LOCK [ON]" appears.

### XM FACTORY TEST MODE

#### (US and Canadian models only)

Mode to confirm operation of XM. Doing display of ID of XM antenna and output of audio signal that XM antenna generates, it is confirmed that there are no problems in the communication of the XM antenna and the transmission of the audio signal.

#### Procedure:

1. The XM antenna was connected, while pressing the [TUNING MODE] and [MOVIE] buttons, press the [POWER] button to turn on the main power.
2. Whenever the [DISPLAY] button is pressed, the output of the audio signal of 1 kHz L/R, 20 Hz L/R, 5 kHz L/R, muting, 1 kHz L and 1kHz R are switched.

### SIRIUS FACTORY TEST MODE

#### (US and Canadian models only)

Mode to confirm operation of SIRIUS. Doing display of ID of SIRIUS antenna and output of audio signal that SIRIUS antenna generates, it is confirmed that there are no problems in the communication of the SIRIUS antenna and the transmission of the audio signal.

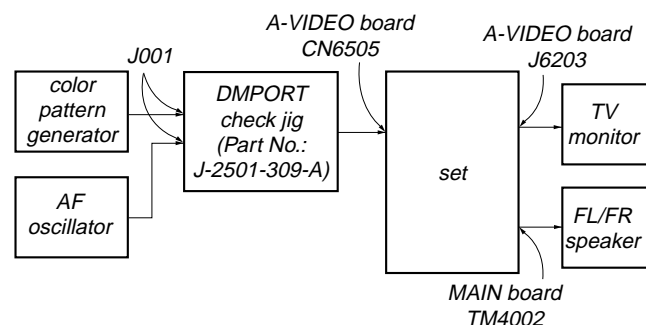
#### Procedure:

1. The SIRIUS antenna was connected, while pressing the [TUNING MODE] and [A.F.D.] buttons, press the [POWER] button to turn on the main power.
2. Whenever the [DISPLAY] button is pressed, the output of the audio signal of 1 kHz L/R, 20 Hz L/R, 5 kHz L/R, muting, 1 kHz L and 1 kHz R are switched.

### DIGITAL MEIDA PORT TEST

#### Procedure:

1. Connect the DMPORT check jig (P/N: J-2501-309-A) with the DMPORT jack (CN6505) on the A-VIDEO board.
2. While pressing the [A.F.D.] and [DMPORT] buttons, press the [POWER] button to turn on the main power.
3. The message "DMPORT OK." appears on the fluorescent indicator tube and enter the digital media port test mode. (Confirmation of communication line)  
When "NO DETECT", "UART NG" and "UART TO" are displayed on the fluorescent indicator tube, confirm the connection of the DMPORT check jig, and enter the mode again.  
Each time the [▶▶] button on the remote commander is pressed, the connect check and adaptor version check are switched.  
Press the [◀◀] button on the remote commander, connected confirmation of the DMPORT check jig is done again.
4. To a pinjack of the DMPORT check jig input information relevant to audio signal (sine-wave 1.0V rms) and composite video signal (white 100% 1.0Vp-p, color bar, etc.).
5. Confirm the output of speakers and monitor TV. (Confirmation of analog signal)
6. To exit from this mode, press the [■] button on the remote



## HISTORY MODE

The state that the set is used is memorized.

### Procedure:

1. While pressing the **[MUSIC]** and **[MEMORY/ENTER]** buttons, press the **[POWER]** button to turn on the power and "HISTORY MODE" is displayed.
2. Each time the **[↑]** **[↓]** key of remote commander is pressed, the item is switched in order as follows.



Items	Display
Number of protector is generated	PRCT COUNT: XXX
Total use time	TTL_TIME: XXXXH XXM
Sound field setting	XXXXXXXXXXXXXXXXXX
Input when protect is detected	INPUT: XXXXXXXXXXXX
Input mode setting	INMODE: XXXXXXXXXXXX
Input mode under lick state	DSEL: XXXXXXXXXXXX
Stream under input	STREAM: XXXXXXXX
Channel information	CONFIG:XXXXXXXX
State of headphone	HEAD PHONES: XXX
Volume	VOL:       XXXdB
EQ setting value	BASS:   XXXdB
	TREB:   XXXdB
Level collection value each channel	Lv FL/FR   XXX/XXX
	Lv SL/SR   XXX/XXX
	Lv CT/SW   XXX/XXX
	Lv BL/BR   XXX/XXX
Total time of power on	TTL_P_ON: XXXXH XXM

**SPECIAL MENU MODE**

**Procedure:**

1. Press the [POWER] button to turn on the main power, then while pressing the [TONE MODE] button, press the [A.F.D.], [2CH/A. DIRECT], [MUSIC], [MOVIE] button in order, the message “MENU SPECIALIZED!” appears.
2. Press the [↑/↓] button of the remote commander, the message “<<< SPECIAL >>>” appears.
3. Press the [→] button of the remote commander, the item is appears.
4. Each time the [↑/↓] button of the remote commander is pressed, the item is switched in order as follows.  
Some items can change the content. Display the cursor by pressing the [→] button of the remote commander, and changing the content by pressing the [↑/↓] button of the remote commander, and fix the content by pressing the [←] button of the remote commander when you want to change the content of the item.
5. To release from this mode, while pressing the [TONE MODE] button, press the [A.F.D.], [2CH/A. DIRECT], [MUSIC], [MOVIE] button in order again, the message “MENU SPECIALIZED OFF” appears.

Items	Display	Remark
Video factory menu	<VIDEO FACTORY MENU>	Menu mode to enter video calibration menu and DDR access check menu If the [ENTER] button of the remote commander is pressed, entering the menu, and operating two the following menu become possible
Video calibration (Video factory menu)	V.CALIBRATION START?	Procedure: 1. “DVD” is selected by using [INPUT SELECTOR] dial. 2. Connect a color pattern generator to the COMPONENT VIDEO ASSIGNABLE (INPUT ONLY) DVD/BD IN jack (J6002) on the A-VIDEO board, DVD/BD VIDEO IN jack (J6201) on the A-VIDEO board, DVD/BD S VIDEO IN jack (J6901) on the S-VIDEO board and EXT VIDEO IN jack (J6904). 3. Input 100% color bars signal from the color pattern generator. 4. Menu that measures individual difference of hardness by automatic operation in pressing the [ENTER] button of the remote commander, and corrects reference value. In a measurement once, only one of NTSC/PAL/HD can be measured  “Check XXXX V-IN” at display: Video signal necessary for the measurement while measuring it last time was not detected and it became an error  Confirm the input of the video of the terminal connection etc. , and measure the [ENTER] button of the remote commander again pressing
DDR access check (Video factory menu)	DDR CHECK [XX] sec	XX: Time to do access check on DDR (for design evaluation)
Auto cal mic test	SPEAKER OUT [XXXXX]	XXXXX: Selection of speaker output audio [SOURCE]: normally mode, [MIC]: mode that output audio from mic from speaker
FL display fonts test	FL FONT [0x ** = X]	** : 20 to FE, X: character
FL display test	ALL ON	Each time DISPLAY button to change as follows all on → test pattern 1 → test pattern 2 → all off → all on
HDCP key read	HDCP KEY READ [XXX]	XXX: ON or OFF
DSP SRAM check	<DSP SRAM CHECK> ↓ [ENTER] button of the remote commander SRAM1 [XX] SRAM2 [XX]	XX: OK or NG OK: success access SRAM, NG: fail access to SRAM
FAROUDJA update	FAROUDJA UPDATE [XXX]	XXX: ON or OFF
Model version display	##### ** vX.XX @@@@	#####: Model ** : Destination X.XX: System controller software version @@@@: Sum value of flash memory in the system controller
Video Ucom version display	Video Ucom Ver X.XX	X.XX: Video system controller software version
FAROUDJA version display	FAROUDJA Ver X.XX	X.XX: Video Processor software version
GUI CG-ROM version display	GUI CGROM Ver X.XX	X.XX: CG-ROM software version
DSP Ucom version display	DSP Ucom Ver X.XX	X.XX: DSP controller version
DSP serial flash version display	DSP SFLASH Ver X.XX	X.XX: Serial flash software version
DSP parallel flash version display	DSP PFLASH Ver X.XX	X.XX: DSP parallel flash version
DSP halt	DSP HALT [XXX]	XXX: ON or OFF
DSP RAM	[*****]=XXXXXXXX	Mode that refers to internal RAM of DSP (for design evaluation)

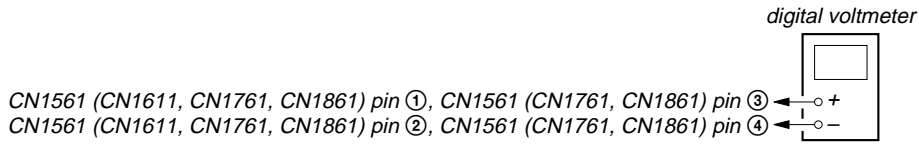
Items	Display	Remark
Super reset	SUPER RESET [XXX]	Not used for the servicing If super reset is performed, “up convert signal level adjustment” will also be initialized When EEPROM initialization is required, perform the “memory clearing mode”
RAM watch menu	XXX	XXX: For monitor of various internal RAM (for design evaluation)
EEROM debug	EEPROM [****] [XX]	****: EEPROM address, XX: EEPROM data
Protector on/off	PROTECTOR ON/OFF [XXX]	XXX: ON or OFF
Model/destination change	MODEL [##### * * * *] X X	#####: Model, ****: Destination, XX: At or fx
Audio swap	SWAP [XXXXXXXXXXXX]	Switching with   button of the remote commander
Decoder select	DECODER SEL [XXXX]	XXXX: AUTO, LEGACY, DDPLUS, TRUEHD, DTSEXP, MP3SUR (for debug)
Volume value display (FL/FR)	FL**** FR XXXX	****: Front L-ch volume value, XXXX: Front R-ch volume value
Volume value display (SL/SR)	SL**** SR XXXX	****: Surround L-ch volume value, XXXX: Surround R-ch volume value
Volume value display (CT/SW)	CT**** SW XXXX	****: Center volume value, XXXX: Sub woofer volume value
Volume value display (SBL/SBR)	SBL**** SBR XXXX	****: Surround back L-ch volume value, XXXX: Surround back R-ch volume value
DAC mute information disclosure 1	DAC MUTE U XXXXXXXX	Display of module information to demand muting in system controller (for design evaluation)
DAC mute information disclosure 2	DAC MUTE L XXXXXXXX	Display of module information to demand muting in system controller (for design evaluation)
2nd volume value display	2nd VOLUME XXX	XXX: 2nd room volume value (00 to ∞)
FL display duty change	DARK OUT DUTY [XXX%]	XXX: Duty value of FL display (0% to 100%)
DMPort debug	DMP KEY DEBUG [XXX]	XXX: ON or OFF (for debug)
Bus overflow debug HA link (receive)	OVERFLOW HAL R [XX]	XX: Counter of overflow receive buffer
Bus overflow debug HA link (transmit)	OVERFLOW HAL S [XX]	XX: Counter of overflow transmit buffer
Bus overflow debug DMPort	OVERFLOW CLA [XX]	XX: Counter of overflow CLA transmit buffer

## SECTION 5 ELECTRICAL ADJUSTMENTS

### BIAS ALIGNMENT ADJUSTMENT

**Note:** After 10 minutes or more have passed since the power supply was turned on, this adjustment is done.

**Connection:**



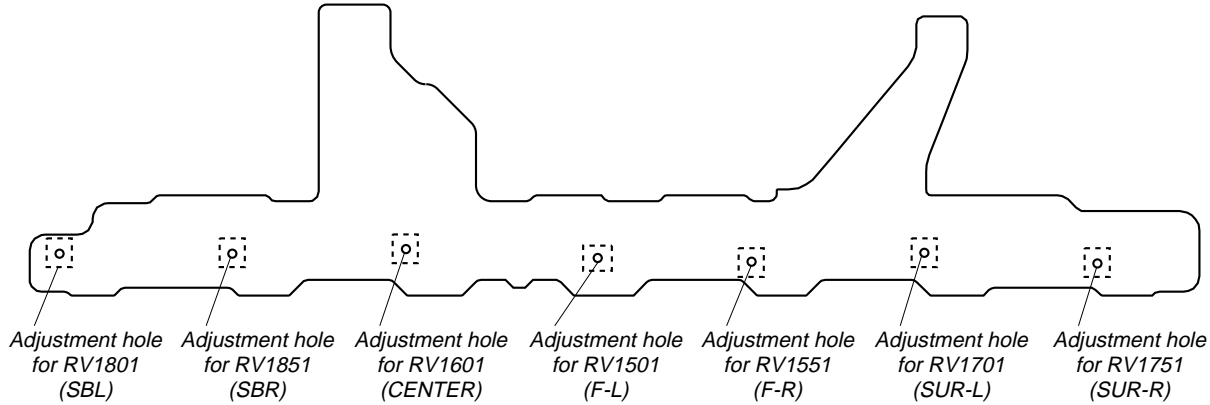
**Note:** Pin ③, ④ of CN1611 are open.

**Procedure:**

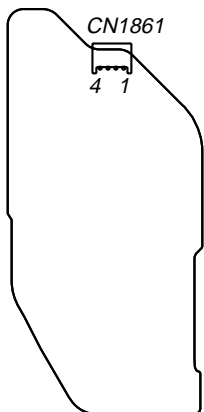
1. Connect a digital voltmeter to the CN1561 (CN1611, CN1761, CN1861).
2. Press the [POWER] button to turn on the main power.
3. Adjust the RV1501 (RV1551, RV1601, RV1701, RV1751, RV1801, RV1851) so that the digital voltmeter reading is 5 mV to 20 mV.

**Adjustment and Connection Location:**

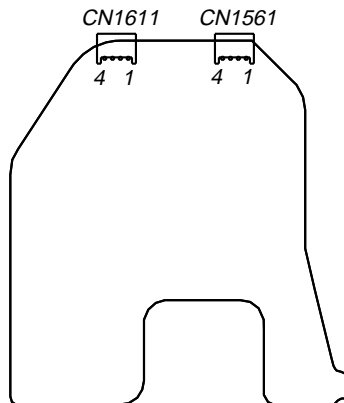
– BIAS Board (Conductor Side) –



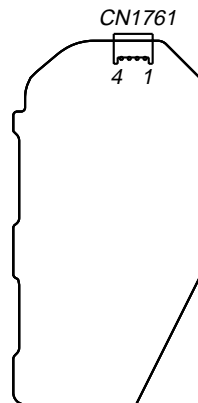
– PROTECTOR (SB) Board (Component Side) –



– PROTECTOR (F-C) Board (Component Side) –



– PROTECTOR (SURR) Board (Component Side) –

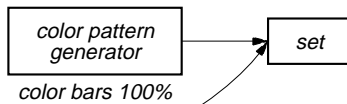


## VIDEO CALIBRATION ADJUSTMENT

Adjustment to decide the standard of the video input signal.

**Note:** After replacing D-VIDEO board, or after "SUPER RESET" of the special menu mode is executed, perform this adjustment.

### Connection:



A-VIDEO board COMPONENT VIDEO ASSIGNABLE  
(INPUT ONLY) DVD/BD IN jack (J6002)  
A-VIDEO board DVD/BD VIDEO IN jack (J6201)  
S-VIDEO board DVD/BD S VIDEO IN jack (J6901)  
S-VIDEO board EXT VIDEO IN jack (J6904)

### Procedure:

1. "DVD" is selected by using **INPUT SELECTOR** dial.
2. Connect a color pattern generator to the COMPONENT VIDEO ASSIGNABLE (INPUT ONLY) DVD/BD IN jack (J6002) on the A-VIDEO board, DVD/BD VIDEO IN jack (J6201) on the A-VIDEO board, DVD/BD S VIDEO IN jack (J6901) on the S-VIDEO board and EXT VIDEO IN jack (J6904) on the S-VIDEO board.
3. Input NTSC color bars signal from the color pattern generator.
4. Press the **POWER** button to turn off the main power
5. While pressing the **MEMORY/ENTER**, **MUSIC** and **DMPORT** buttons, press the **POWER** button to turn on the main power. It enters the test mode, and display as below.

```

U.CALIBRATION START? ↔ NTSC : MW--____
(PAL input) PAL : MW--____
(HD input) HD-U : MW--____
  
```

6. In state of step 5, press the **MEMORY/ENTER** button. The adjustment is automatically completed, and result is written in the EEPROM, and display as below.

```

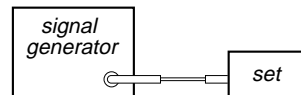
(NTSC input) NTSC : MW OK CSUEZ
(PAL input) PAL : MW OK CSUEZ
(HD input) HD-U : MW OK CSUEZ
  
```

When "Check XXXX V-IN" is displayed, Video signal necessary for the measurement while measuring it last time was not detected and it became an error. Confirm the input of the video of the terminal connection etc., and measure the **MEMORY/ENTER** button again pressing.

7. Input PAL color bars signal from the color pattern generator.
8. Perform step 4 to 6.
9. Input HD color bars signal (720p or 1080p) from the color pattern generator.
10. Perform step 4 to 6.
11. When all the adjustments end, display as below.

```
U.CAL COMPLETE N:P:H
```

## FM AUTO STOP CHECK



### Procedure:

1. Turn on the set.
2. Input the following signal from signal generator to FM antenna input directly.

Carrier frequency: A = 87.5 MHz, B = 98 MHz, C = 108 MHz

Deviation : 75 kHz

Modulation : 1 kHz

ANT input : 35 dBu (EMF)

**Note:** Use 75 ohm coaxial cable to connect signal generator and the set.  
You cannot use video cable for checking.  
Use signal generator whose output impedance is 75 ohm.

3. Set to FM tuner function and scan the input FM signal with automatic scanning.
4. Confirm that input frequency of A, B and C are detected and automatic scanning stops.

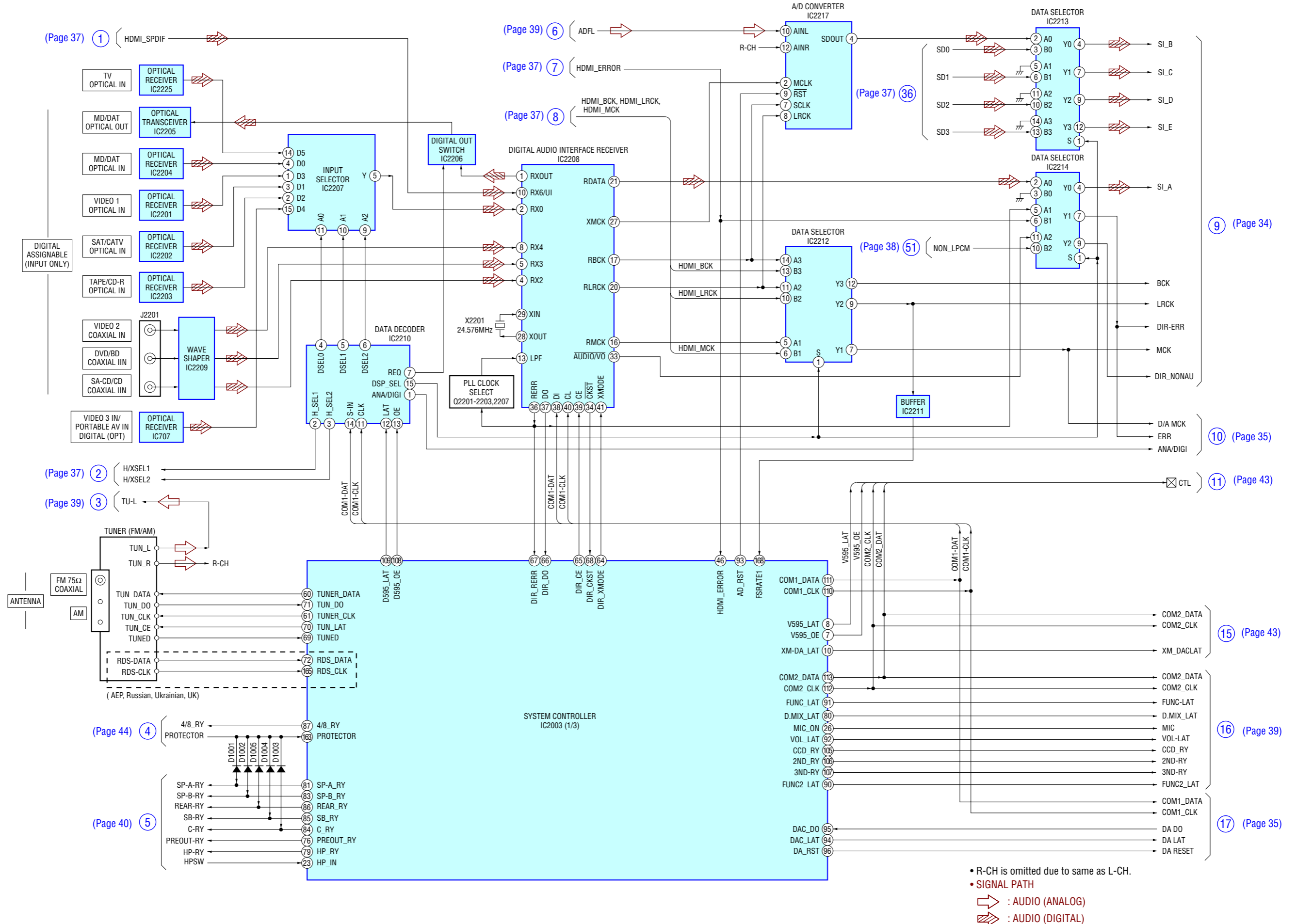
When the station signal is received in good condition, automatic scanning stops.

MEMO



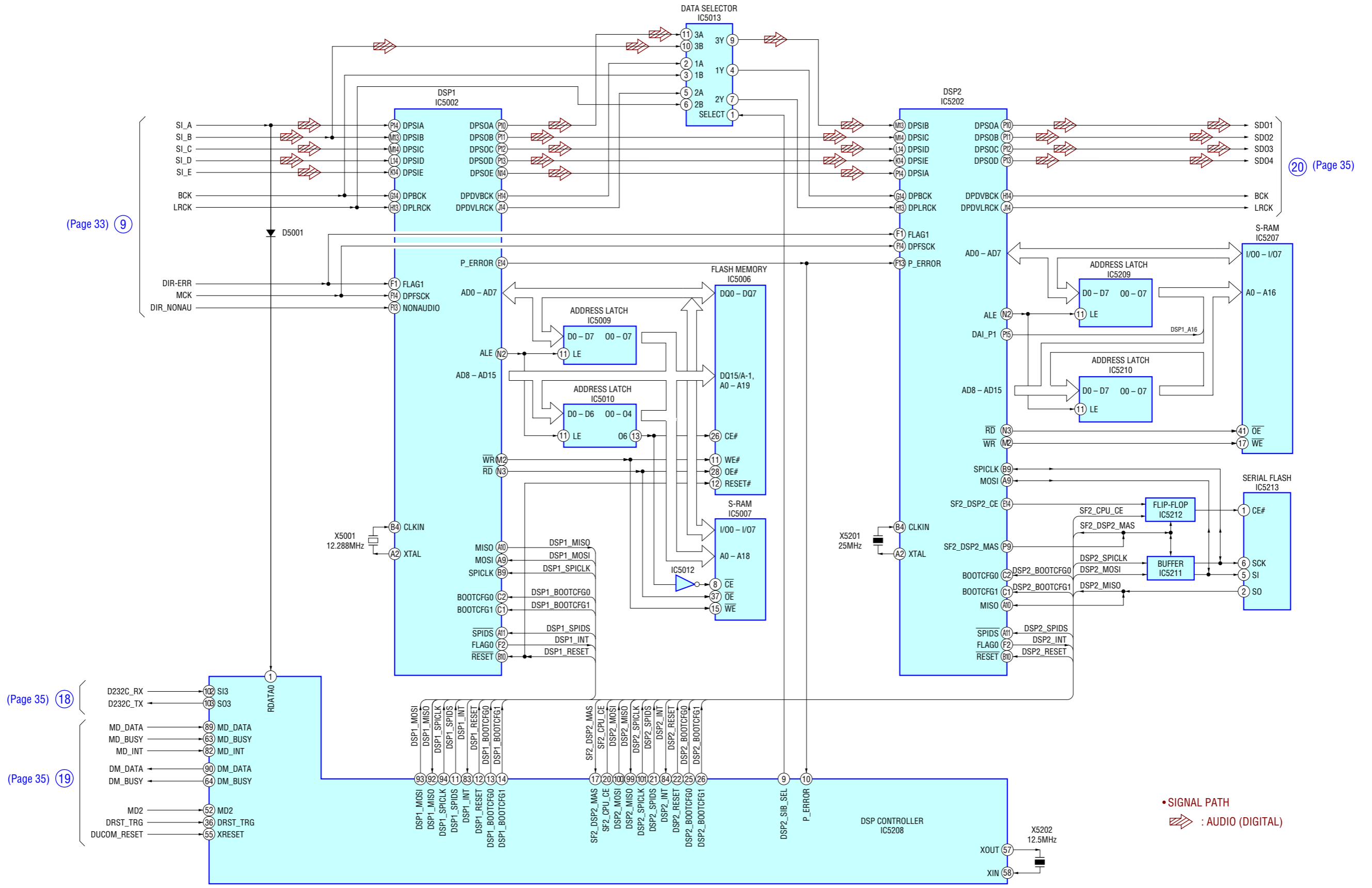
SECTION 6  
DIAGRAMS

6-1. BLOCK DIAGRAM – CONTROL Section –

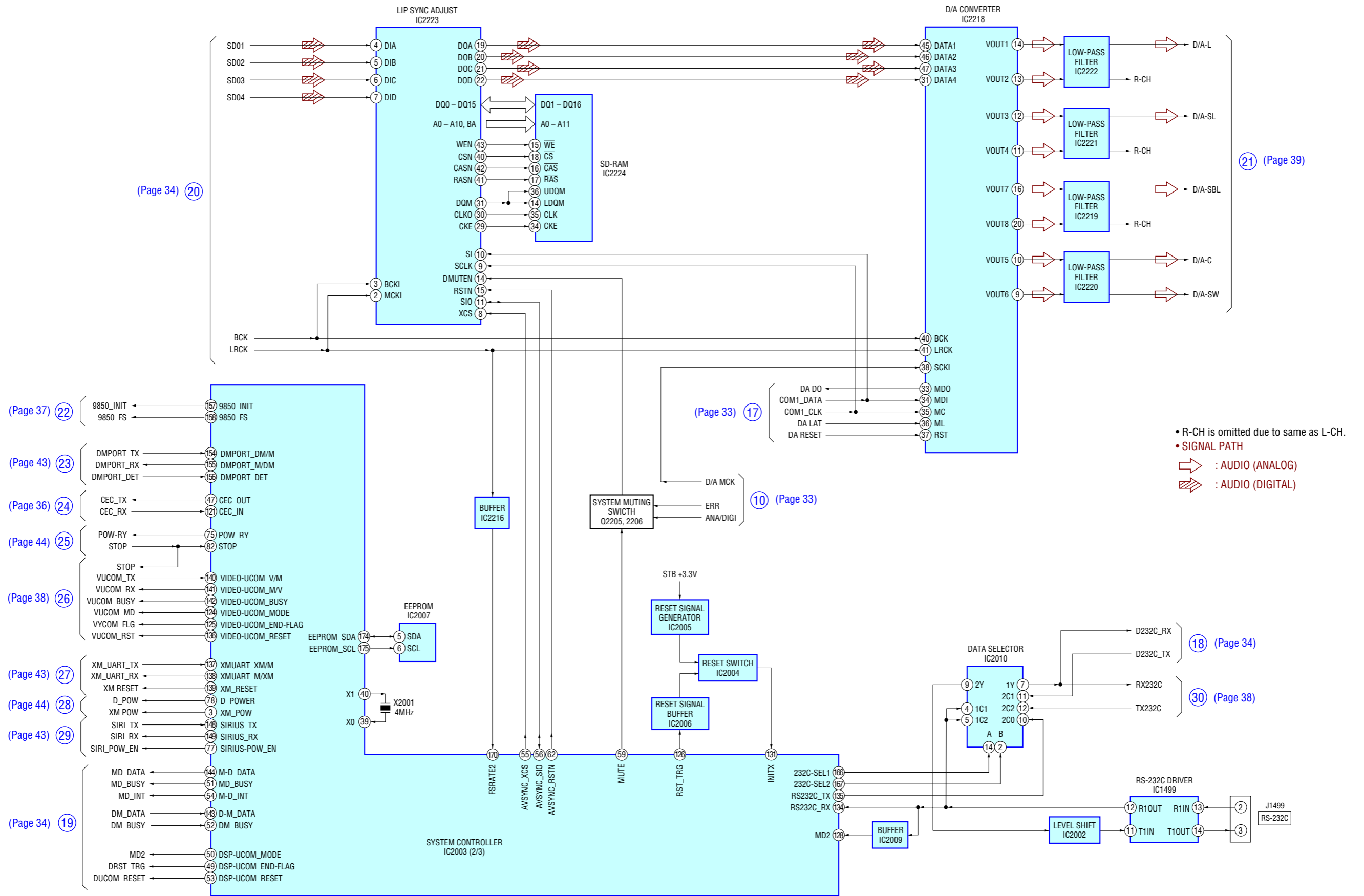


• R-CH is omitted due to same as L-CH.  
• SIGNAL PATH  
➡ : AUDIO (ANALOG)  
➡➡ : AUDIO (DIGITAL)

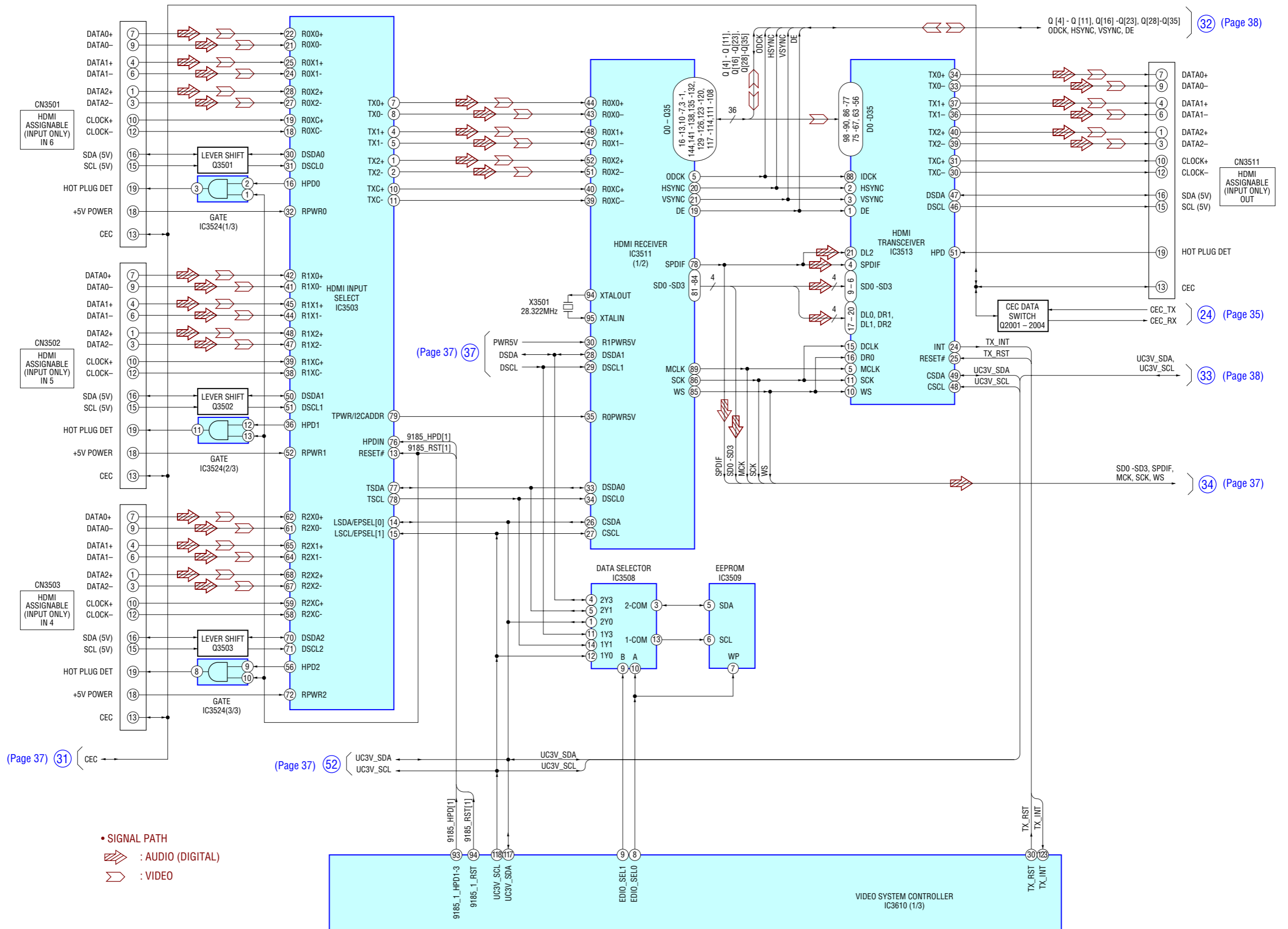
6-2. BLOCK DIAGRAM – DSP Section –



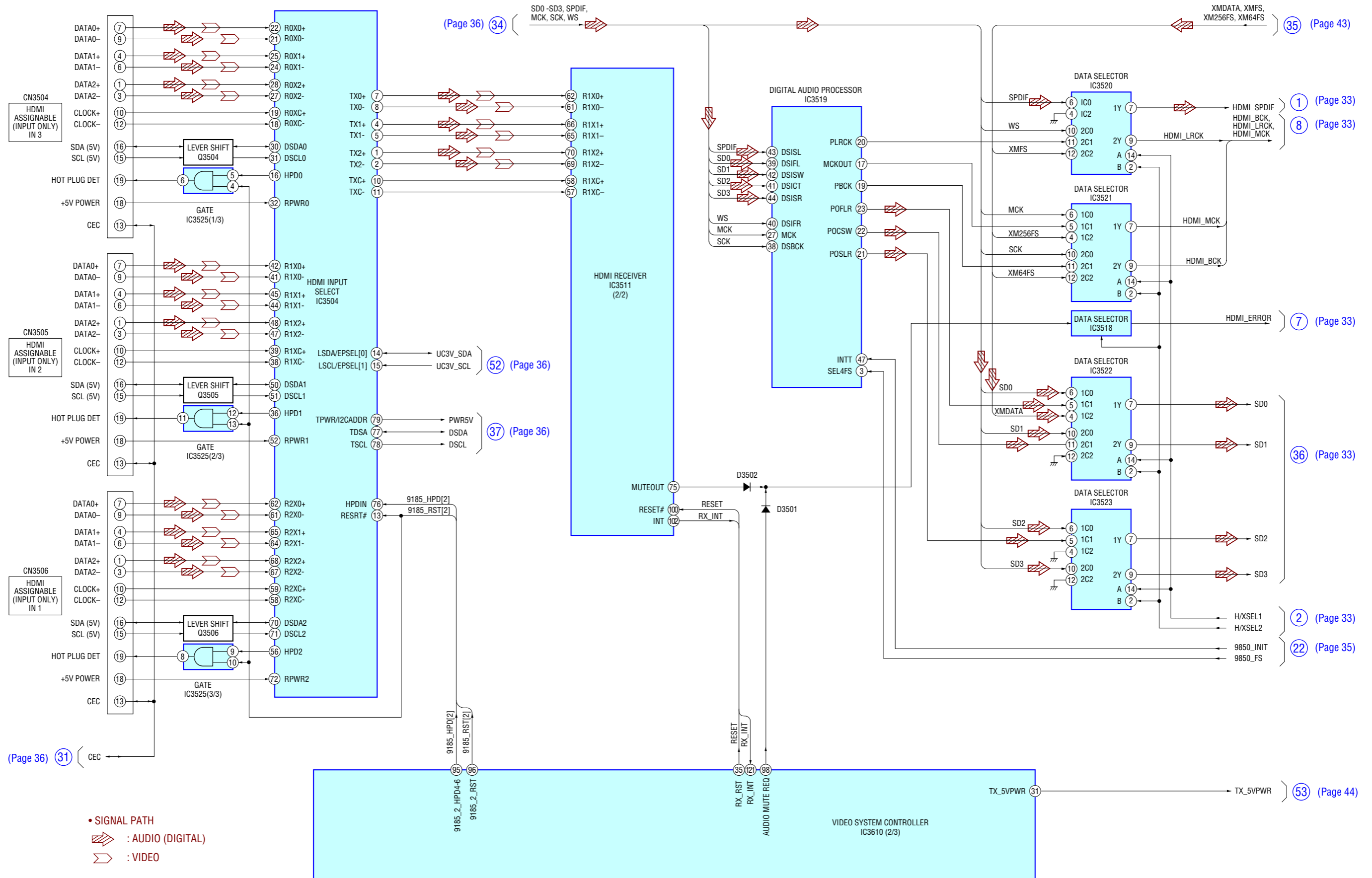
6-3. BLOCK DIAGRAM – DIGITAL AUDIO Section –



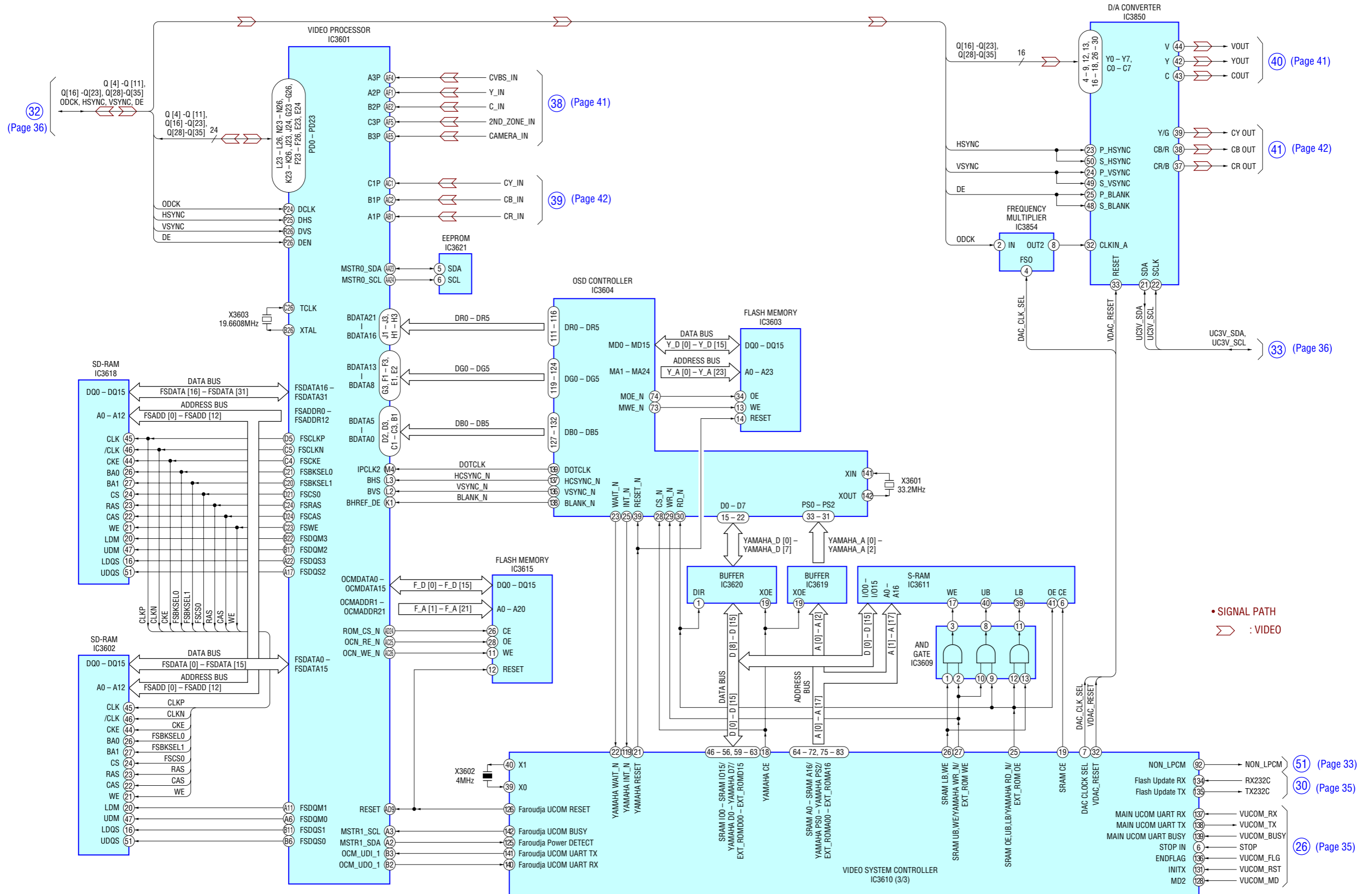
6-4. BLOCK DIAGRAM – HDMI Section (1/2) –



6-5. BLOCK DIAGRAM – HDMI Section (2/2) –

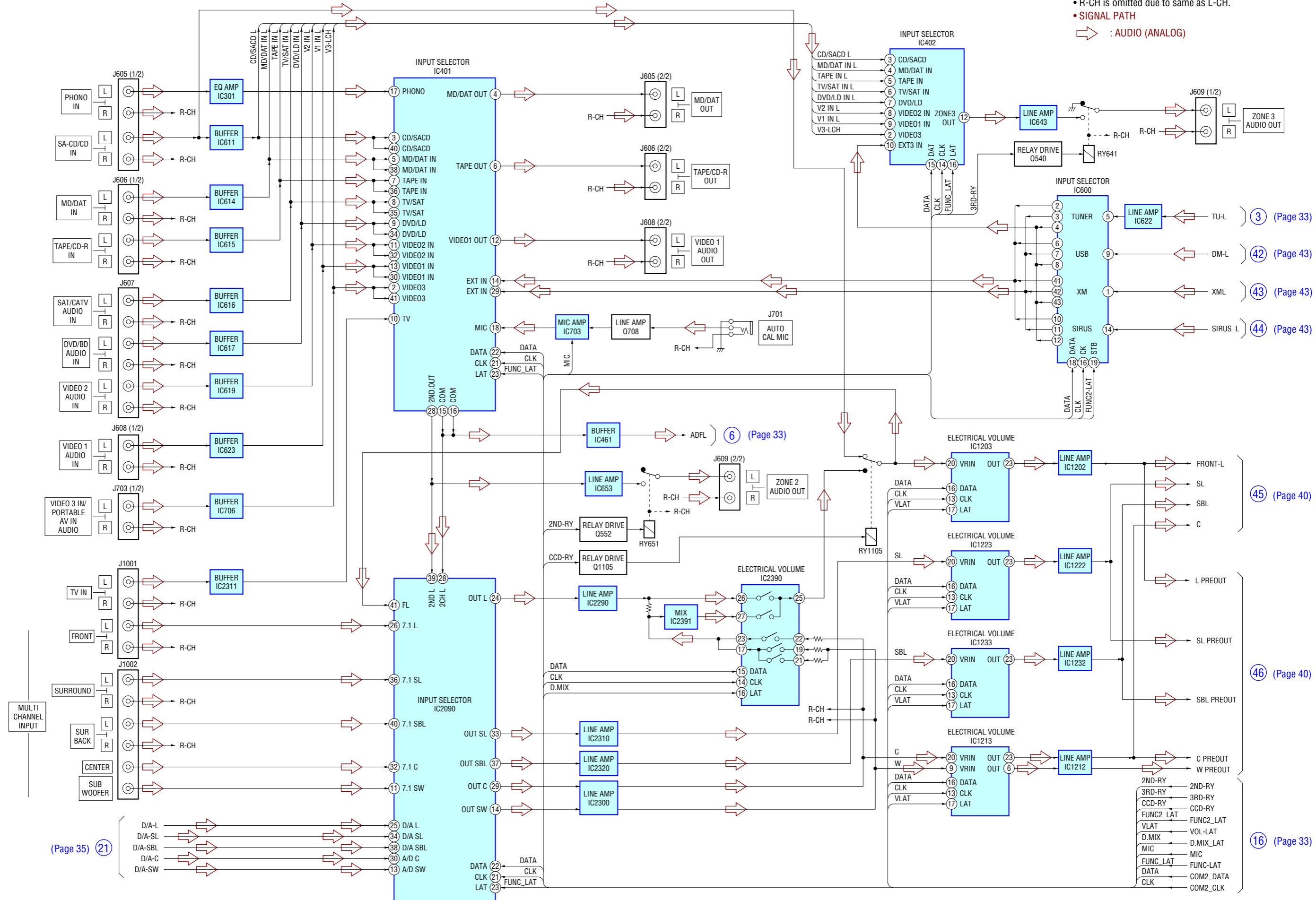


6-6. BLOCK DIAGRAM – VIDEO PROCESS Section –

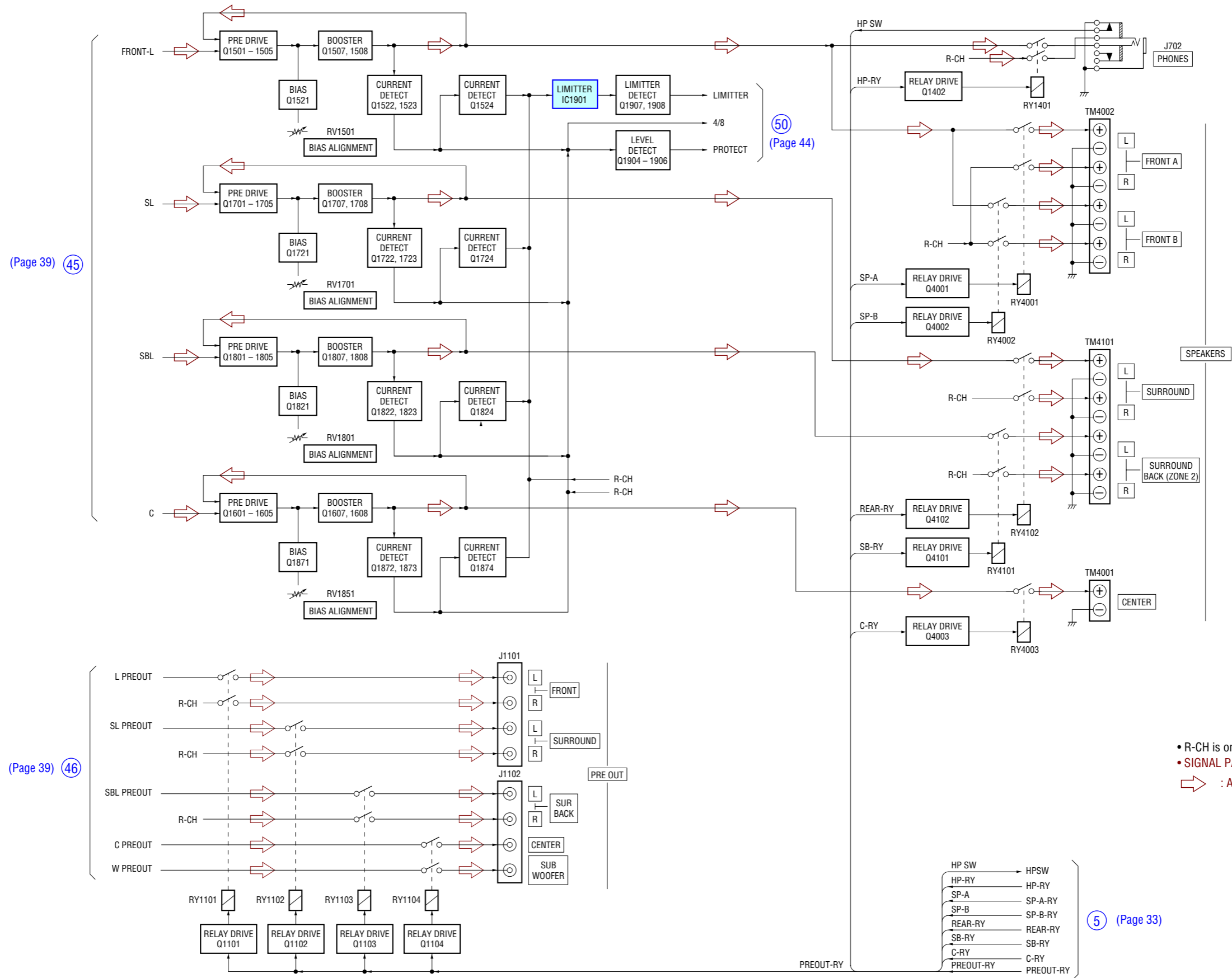


6-7. BLOCK DIAGRAM – ANALOG AUDIO Section –

• R-CH is omitted due to same as L-CH.  
 • SIGNAL PATH  
 ⇨ : AUDIO (ANALOG)

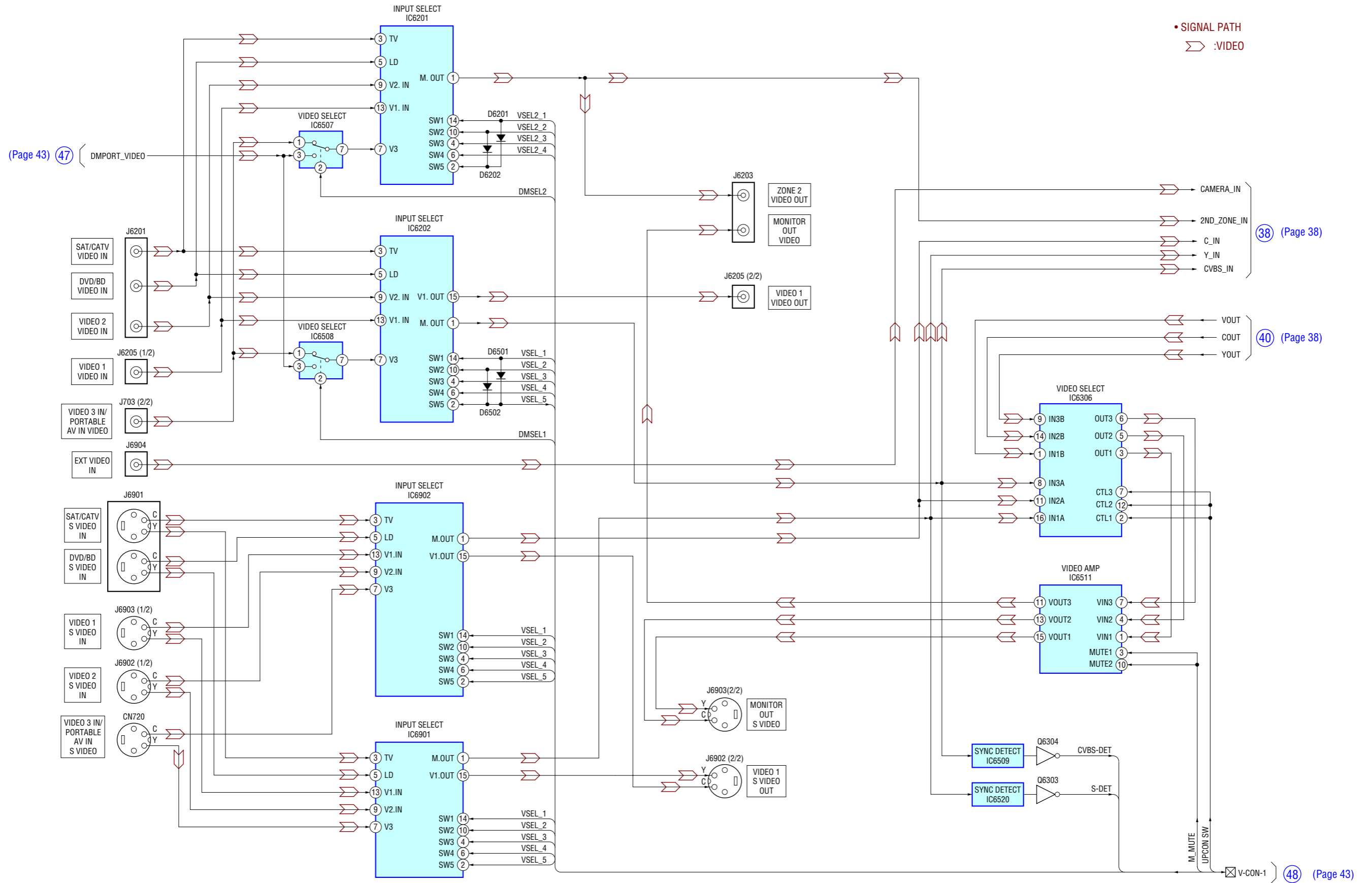


6-8. BLOCK DIAGRAM – POWER AMP Section –

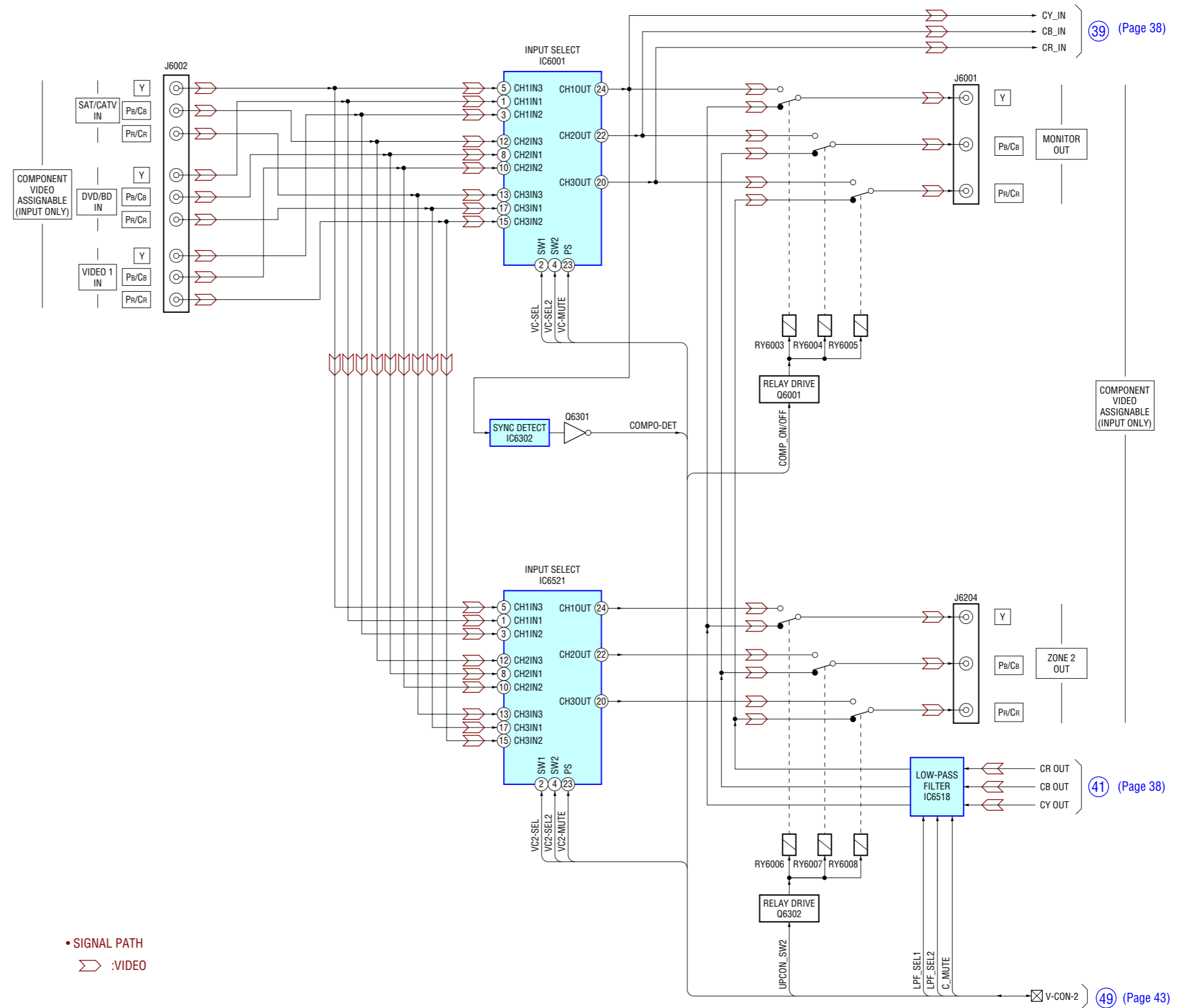




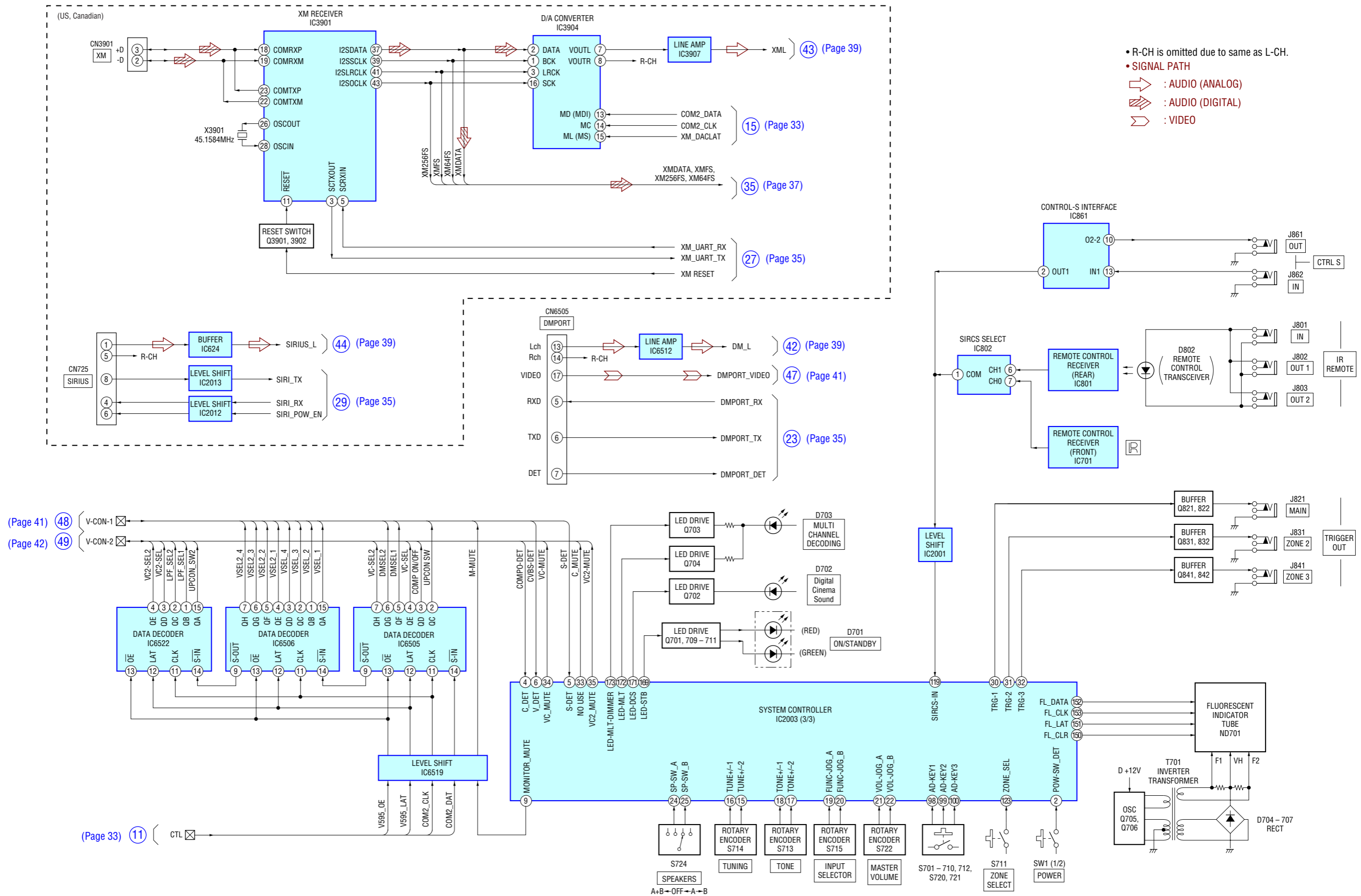
6-9. BLOCK DIAGRAM – VIDEO Section (1/2) –



6-10. BLOCK DIAGRAM – VIDEO Section (2/2) –



6-11. BLOCK DIAGRAM – PANEL, CIS, XM/SIRIUS RECEIVER, DMPORT Section –





• Note for Printed Wiring Boards and Schematic Diagrams

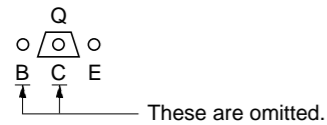
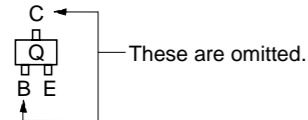
Note on Printed Wiring Board:

- : parts extracted from the component side.
- : parts extracted from the conductor side.
- △ : internal component.
- : Pattern from the side which enables seeing. (The other layers' patterns are not indicated.)

Caution:  
Pattern face side: Parts on the pattern face side seen from the pattern face are indicated.  
(Conductor Side)  
Parts face side: Parts on the parts face side seen from the parts face are indicated.  
(Component Side)

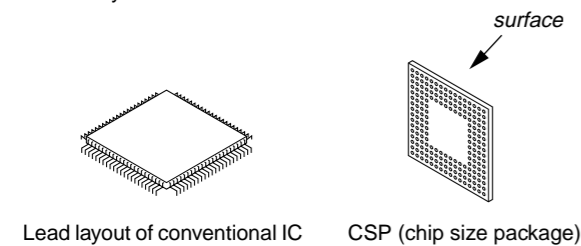
Caution:  
Pattern face side: Parts on the pattern face side seen from the pattern face are indicated.  
(Side B)  
Parts face side: Parts on the parts face side seen from the parts face are indicated.  
(Side A)

- D-VIDEO and DSP boards are multi-layer printed board. However, the patterns of intermediate-layers have not been included in this diagrams.
- Indication of transistor



\* Replacement of IC3601 on the D-VIDEO board used in this set requires a special tool.

• Lead Layouts



Note on Schematic Diagram:

- All capacitors are in  $\mu\text{F}$  unless otherwise noted. (p: pF) 50 WV or less are not indicated except for electrolytics and tantalums.
- All resistors are in  $\Omega$  and  $\frac{1}{4}W$  or less unless otherwise specified.
- △ : internal component.
- : nonflammable resistor.
- : panel designation.

Note:

The components identified by mark △ or dotted line with mark △ are critical for safety. Replace only with part number specified.

Note:

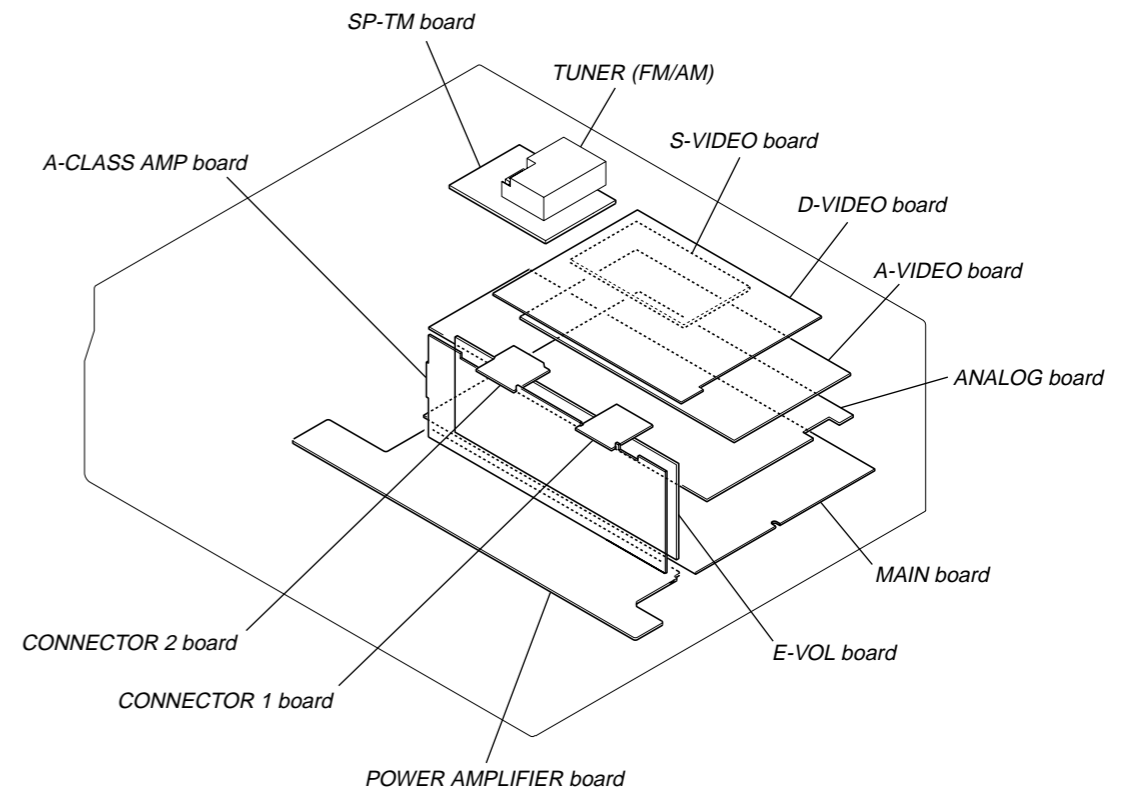
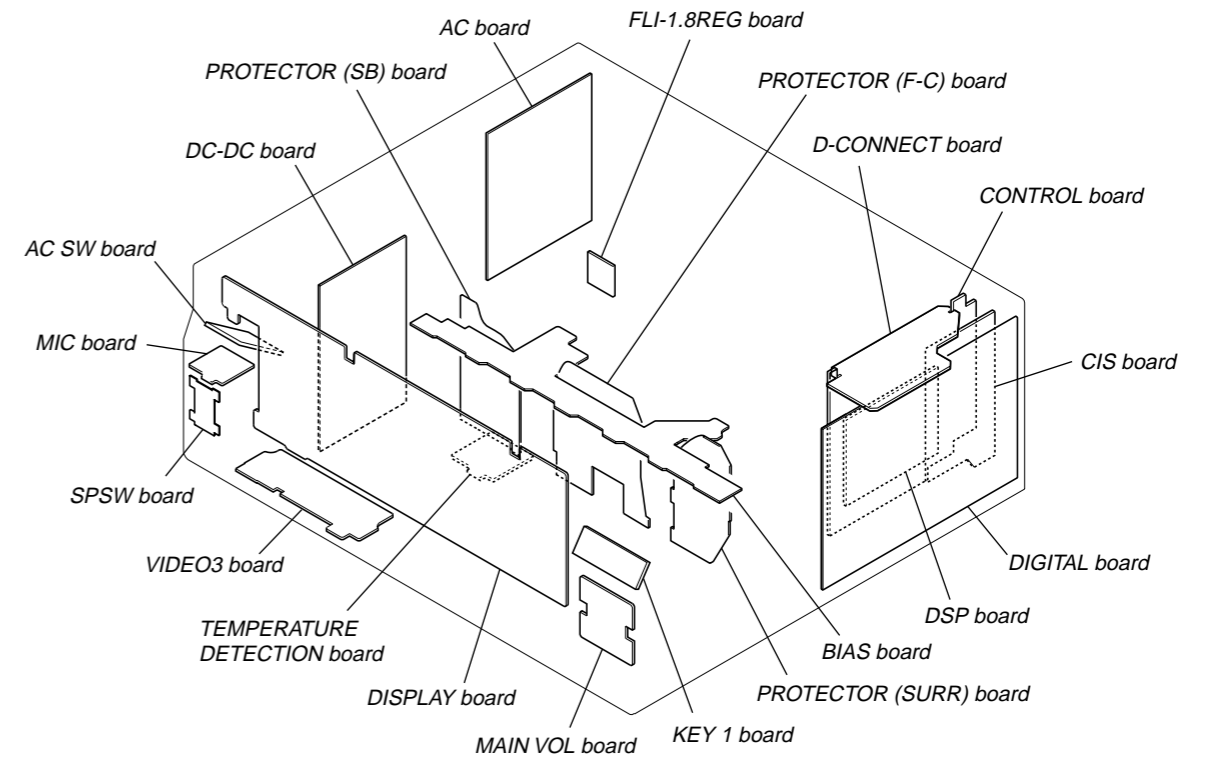
Les composants identifiés par une marque △ sont critiques pour la sécurité. Ne les remplacer que par une pièce portant le numéro spécifié.


- : B+ Line.
- - - : B- Line.
- : adjustment for repair.
- Voltages and waveforms are dc with respect to ground under no-signal (detuned) conditions.
  - A-VIDEO and S-VIDEO boards - no mark : VIDEO 1 mode
  - Other boards - no mark : TUNER
- Voltages are taken with a VOM (Input impedance 10 MW). Voltage variations may be noted due to normal production tolerances.
- Waveforms are taken with a oscilloscope. Voltage variations may be noted due to normal production tolerances.
- Circled numbers refer to waveforms.
- Signal path.
  - ⇒ : AUDIO (ANALOG)
  - ⇒ : AUDIO (DIGITAL)
  - ⇒ : VIDEO

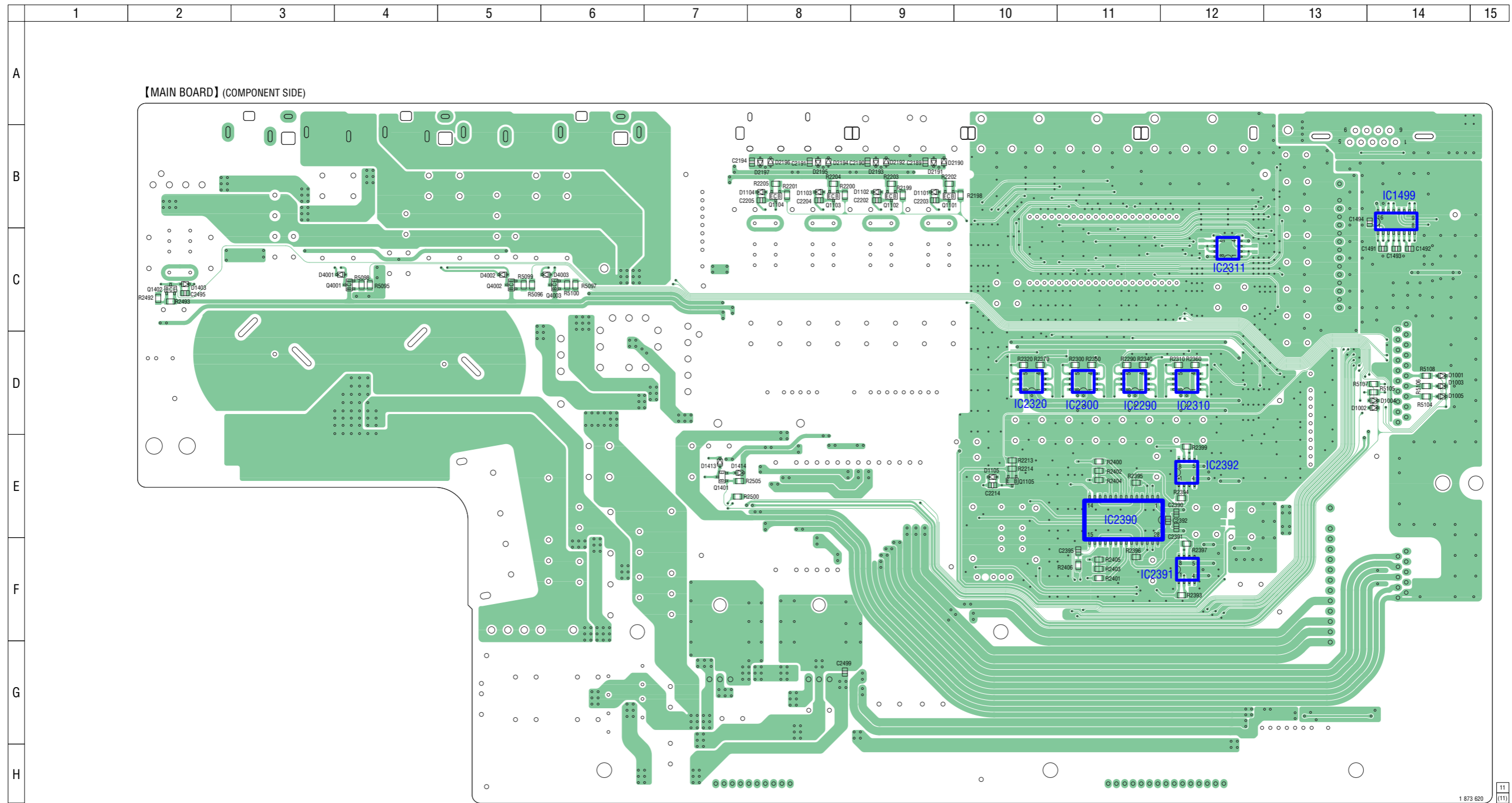
\* Replacement of IC3601 on the D-VIDEO board used in this set requires a special tool.

- The voltage and waveform of CSP (chip size package) cannot be measured, because its lead layout is different from that of conventional IC.
- Abbreviation
  - CND : Canadian model
  - ECE : Russian and Ukrainian models

• Circuit Boards Location




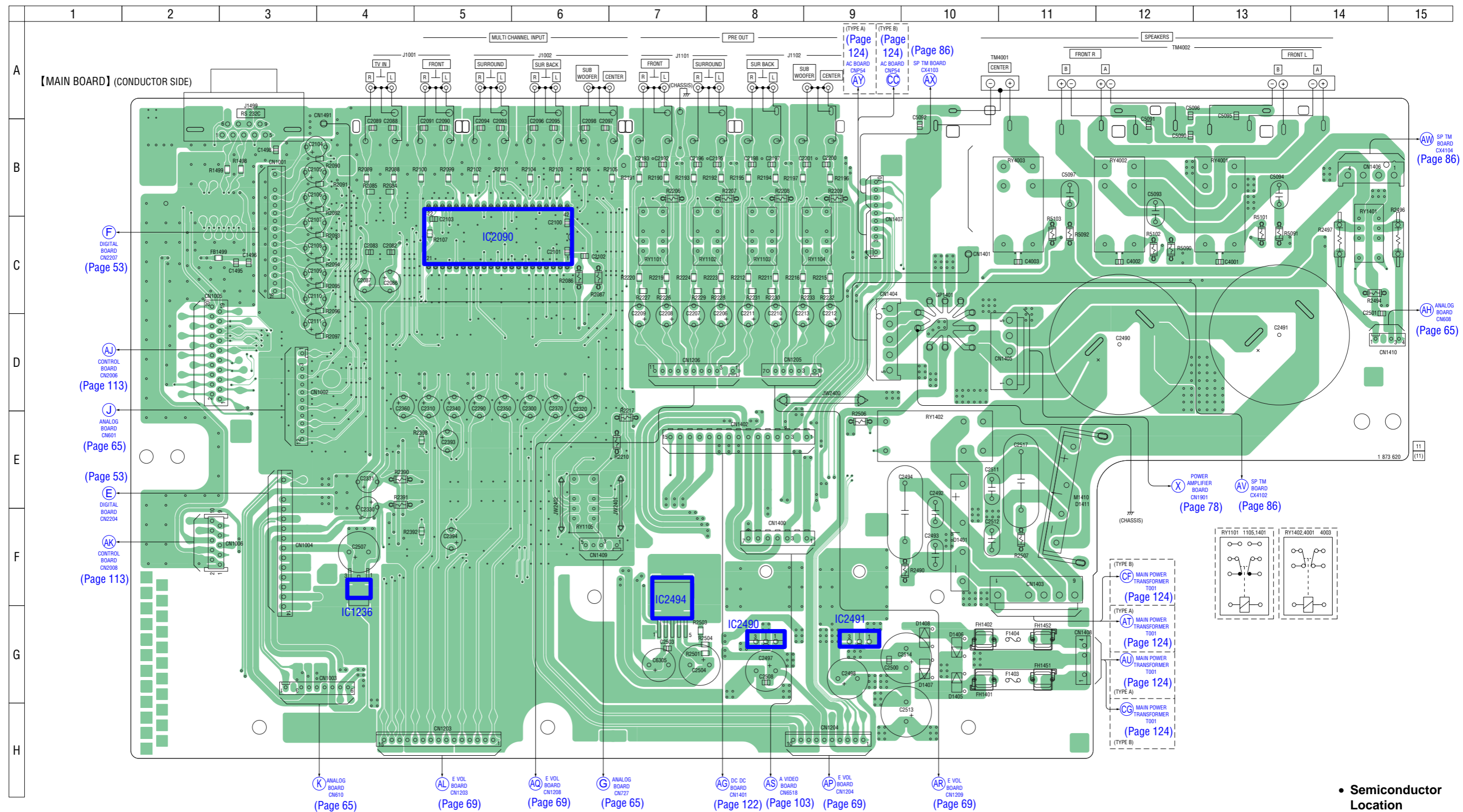
6-13. PRINTED WIRING BOARD – MAIN Board (Component Side) – • See page 45 for Circuit Boards Location.  : Uses unleaded solder.



• Semiconductor Location

Ref. No.	Location	Ref. No.	Location	Ref. No.	Location	Ref. No.	Location	Ref. No.	Location
D1001	D-14	D1105	E-10	D2195	B-8	IC2300	D-11	Q1102	B-9
D1002	D-14	D1403	C-2	D2196	B-8	IC2310	D-12	Q1103	B-8
D1003	D-14	D1413	E-7	D2197	B-8	IC2311	C-12	Q1104	B-8
D1004	D-14	D1414	E-7	D4001	C-4	IC2320	D-10	Q1105	E-10
D1005	D-14	D2190	B-9	D4002	C-5	IC2390	E-11	Q1401	E-7
D1101	B-9	D2191	B-9	D4003	C-6	IC2391	F-12	Q1402	C-2
D1102	B-9	D2192	B-9			IC2392	E-12	Q4001	C-4
D1103	B-8	D2193	B-9	IC1499	B-14			Q4002	C-5
D1104	B-8	D2194	B-8	IC2290	D-11	Q1101	B-9	Q4003	C-6

6-14. PRINTED WIRING BOARD – MAIN Board (Conductor Side) – • See page 45 for Circuit Boards Location.  : Uses unleaded solder.

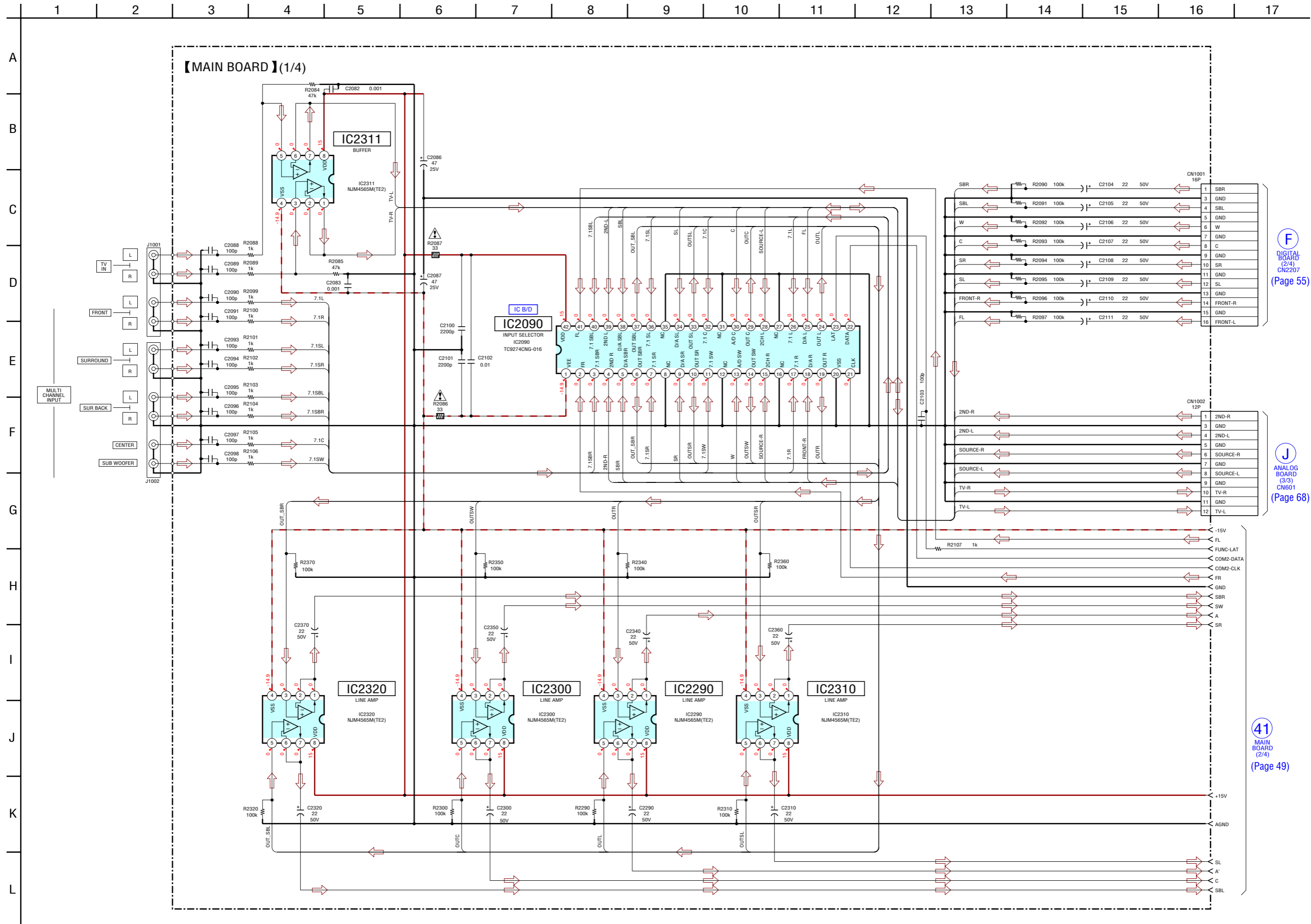


• Semiconductor Location

Ref. No.	Location
D1401	F-10
D1405	G-10
D1406	G-10
D1407	G-10
D1408	G-10
D1411	E-11
IC1236	F-4
IC2090	C-5
IC2490	G-8
IC2491	G-9
IC2494	G-7

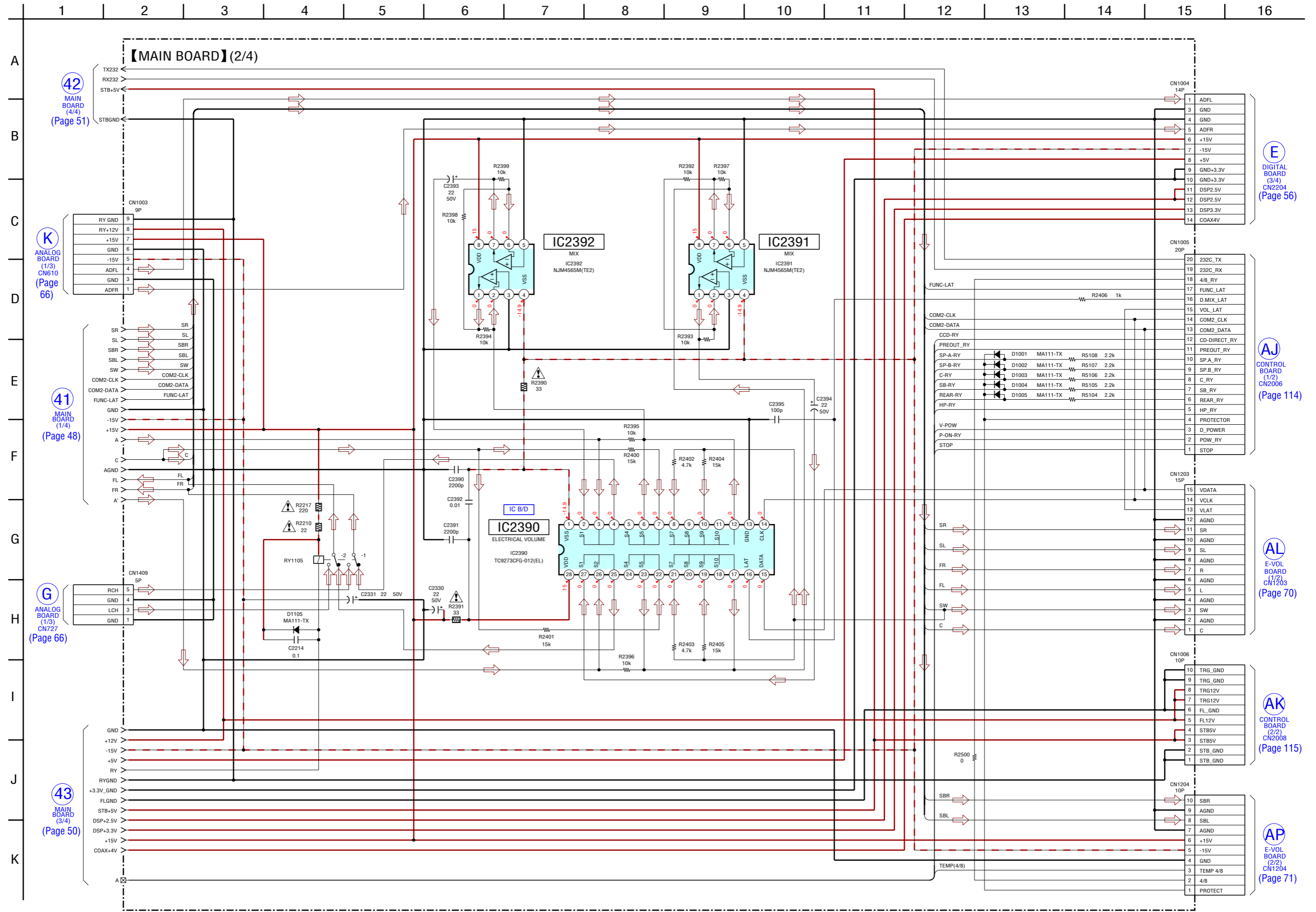
Note: Refer "NOTE WHEN THE AC BOARD IS REPAIRED" (page 5) in servicing notes for how to distinguish TYPE A/B.

6-15. SCHEMATIC DIAGRAM – MAIN Board (1/4) – • See page 127 for IC Block Diagrams.





6-16. SCHEMATIC DIAGRAM – MAIN Board (2/4) – • See page 127 for IC Block Diagrams.



E  
DIGITAL BOARD (3/4)  
CN2204 (Page 56)

AJ  
CONTROL BOARD (1/2)  
CN2006 (Page 114)

AL  
E-VOL BOARD (1/2)  
CN1203 (Page 70)

AK  
CONTROL BOARD (2/2)  
CN2008 (Page 115)

AP  
E-VOL BOARD (2/2)  
CN1204 (Page 71)

42  
MAIN BOARD (4/4)  
(Page 51)

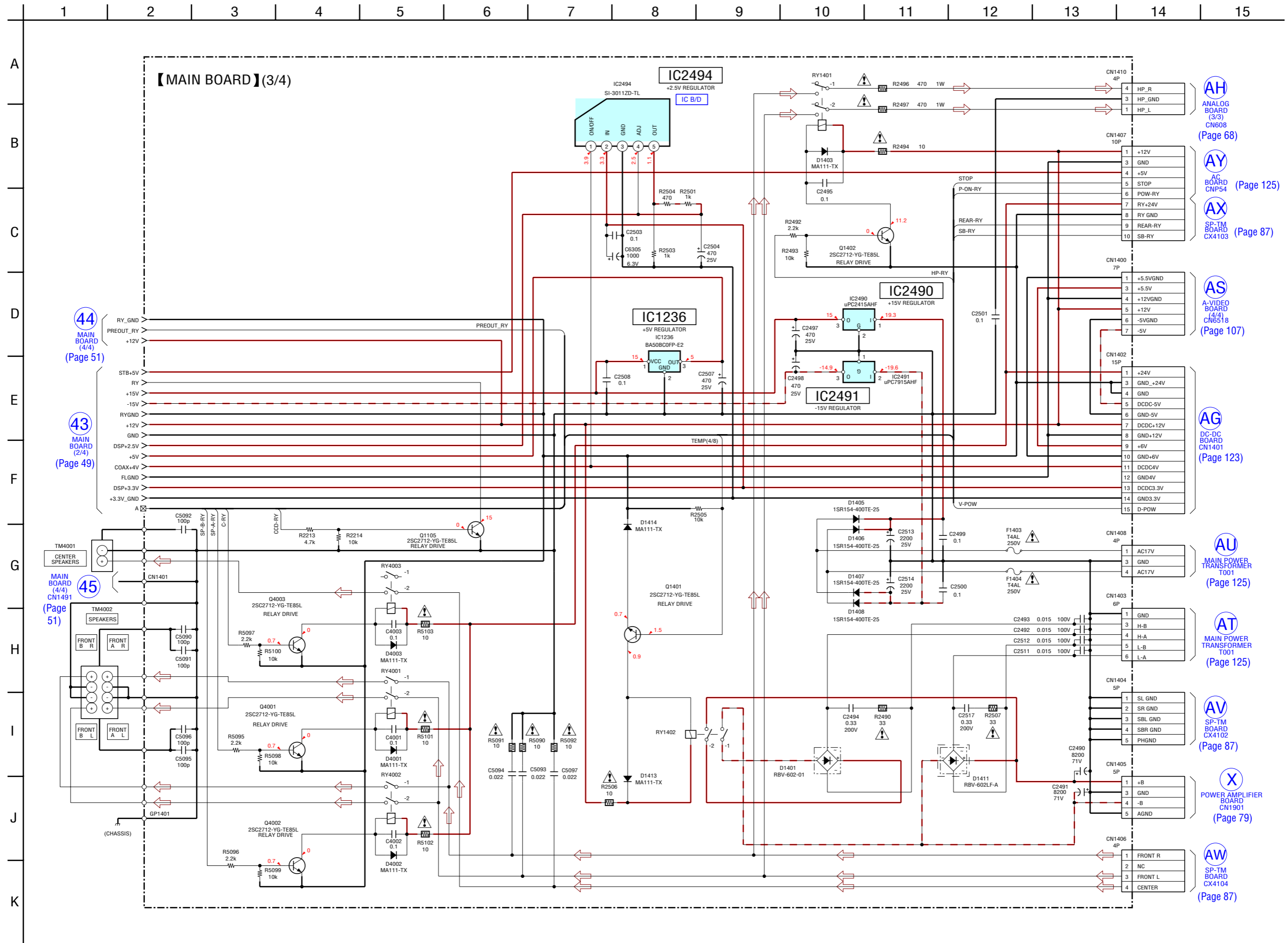
K  
ANALOG BOARD (1/3)  
CN610 (Page 66)

41  
MAIN BOARD (1/4)  
(Page 48)

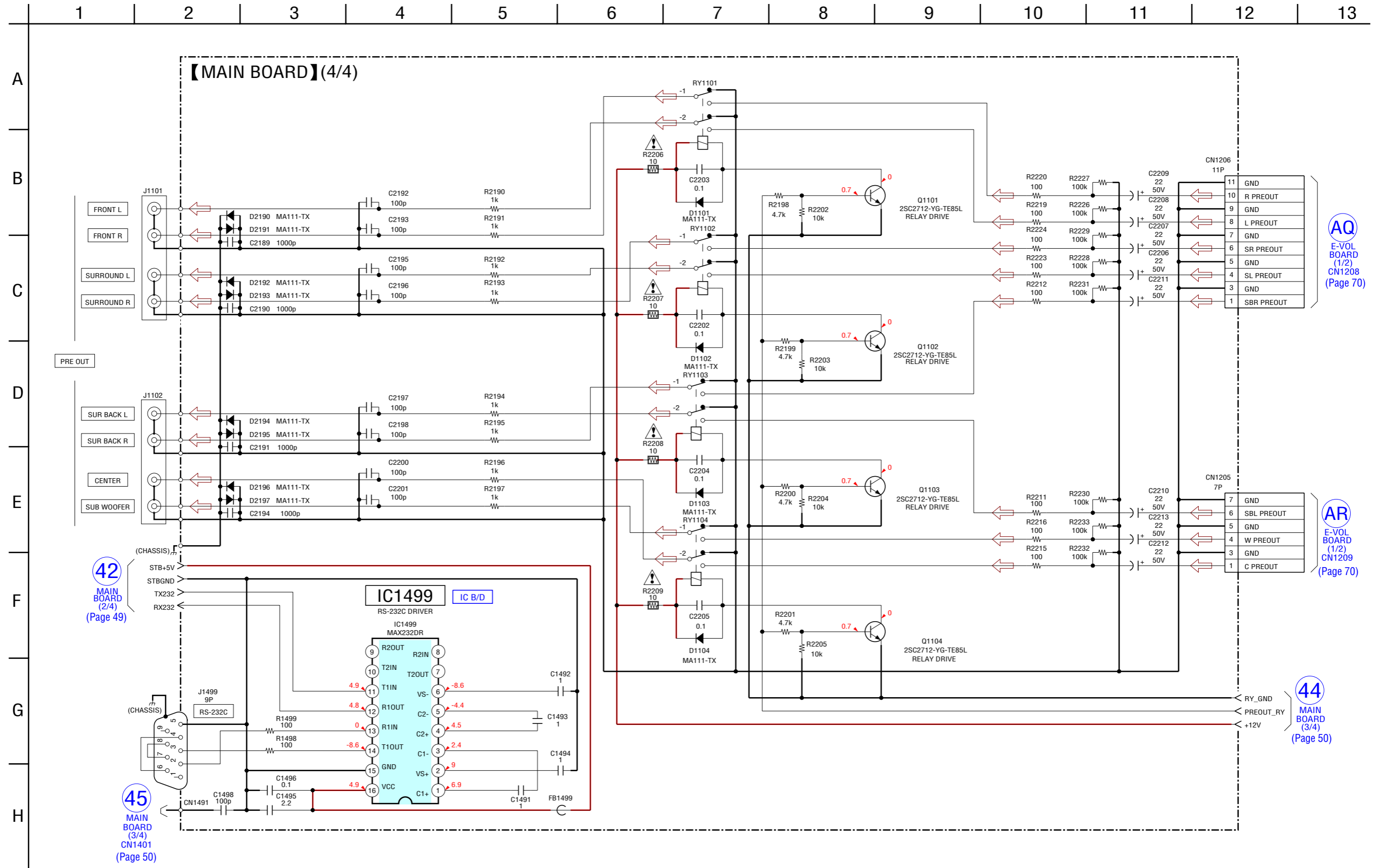
G  
ANALOG BOARD (1/3)  
CN727 (Page 66)

43  
MAIN BOARD (3/4)  
(Page 50)

6-17. SCHEMATIC DIAGRAM – MAIN Board (3/4) – • See page 127 for IC Block Diagrams.



6-18. SCHEMATIC DIAGRAM – MAIN Board (4/4) – • See page 127 for IC Block Diagrams.



**AQ**  
E-VOL BOARD (1/2) CN1208 (Page 70)

**AR**  
E-VOL BOARD (1/2) CN1209 (Page 70)


**44**  
MAIN BOARD (3/4) CN1401 (Page 50)

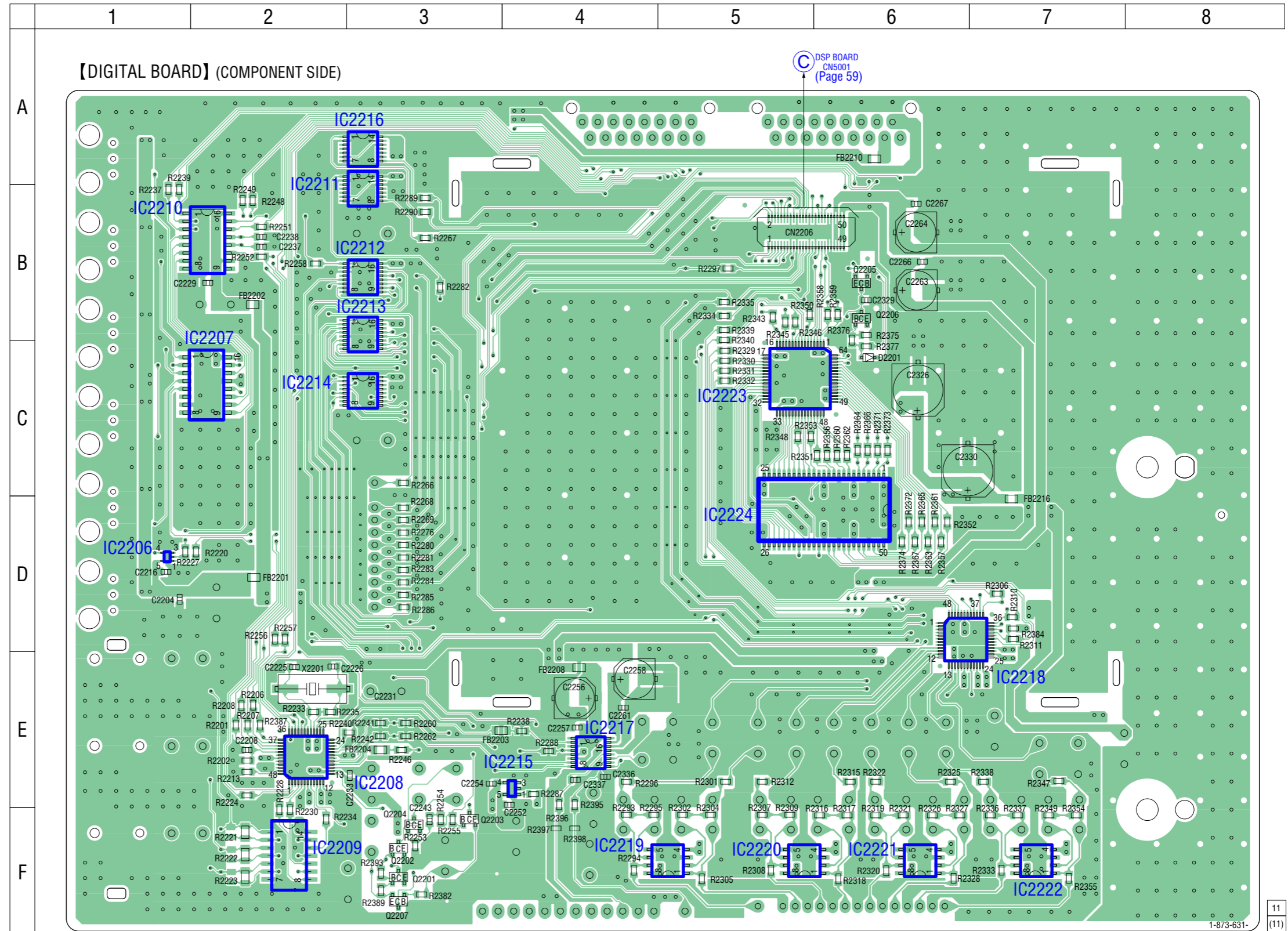
**42**  
MAIN BOARD (2/4) (Page 49)


**45**  
MAIN BOARD (3/4) CN1401 (Page 50)

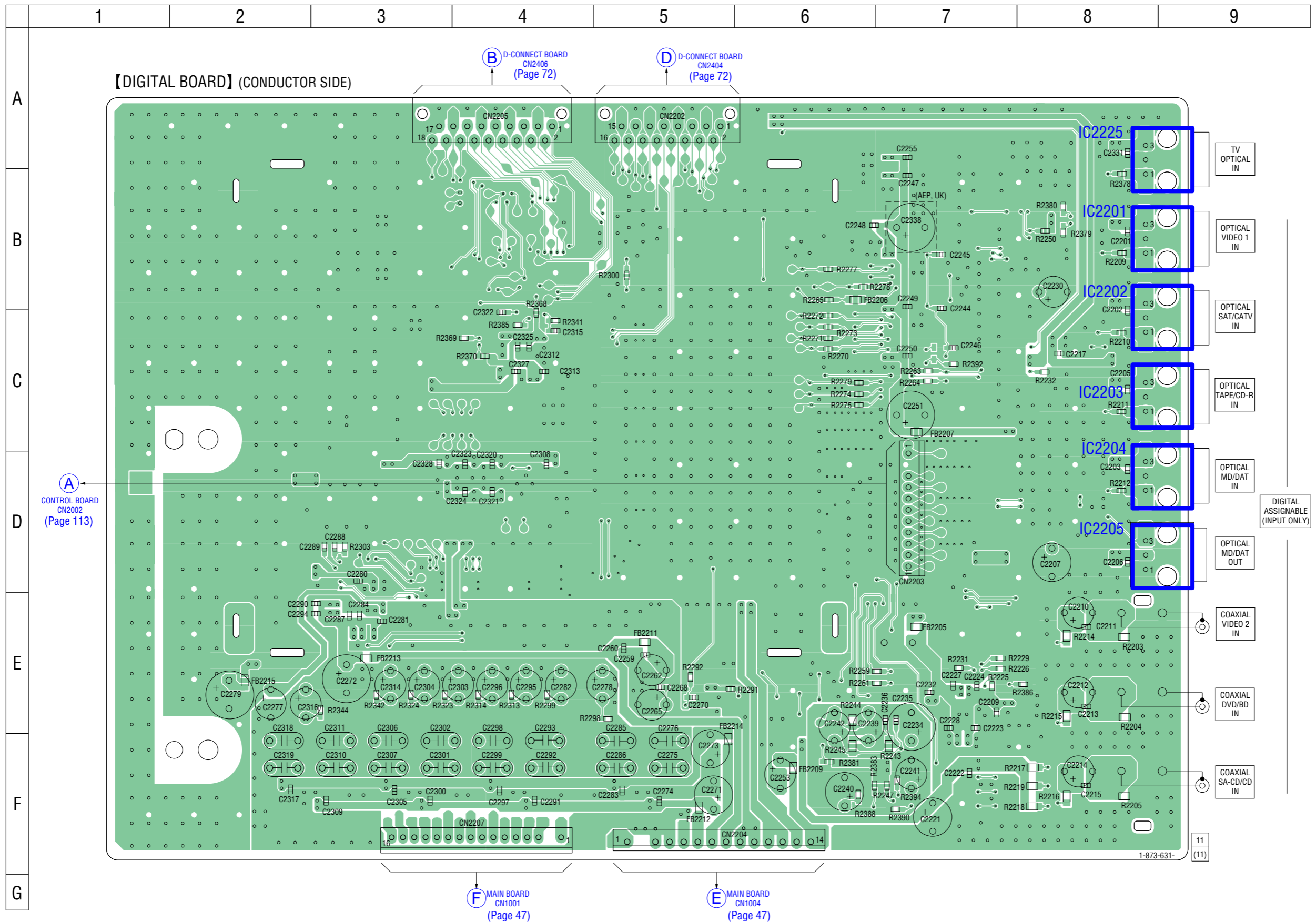
• Semiconductor Location

Ref. No.	Location
D2201	C-6
IC2206	D-1
IC2207	C-2
IC2208	E-2
IC2209	F-2
IC2210	B-2
IC2211	B-3
IC2212	B-3
IC2213	B-3
IC2214	C-3
IC2215	E-4
IC2216	A-3
IC2217	E-4
IC2218	D-6
IC2219	F-5
IC2220	F-5
IC2221	F-6
IC2222	F-7
IC2223	C-5
IC2224	D-6
Q2201	F-3
Q2202	F-3
Q2203	F-3
Q2204	F-3
Q2205	B-6
Q2206	B-6
Q2207	F-3

6-19. PRINTED WIRING BOARD – DIGITAL Board (Component Side) – • See page 45 for Circuit Boards Location.  : Uses unleaded solder.



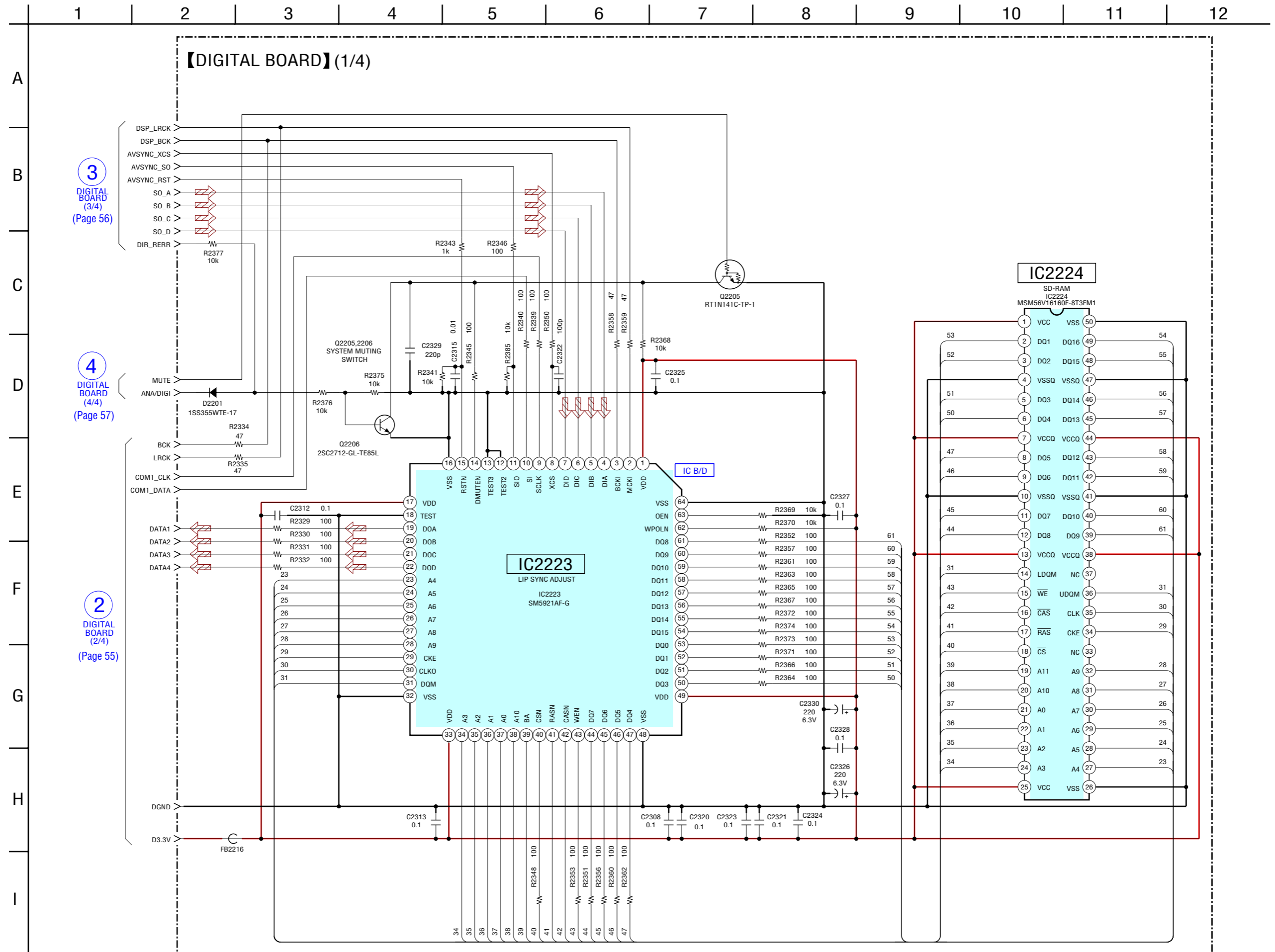
6-20. PRINTED WIRING BOARD – DIGITAL Board (Conductor Side) – • See page 45 for Circuit Boards Location.  : Uses unleaded solder.



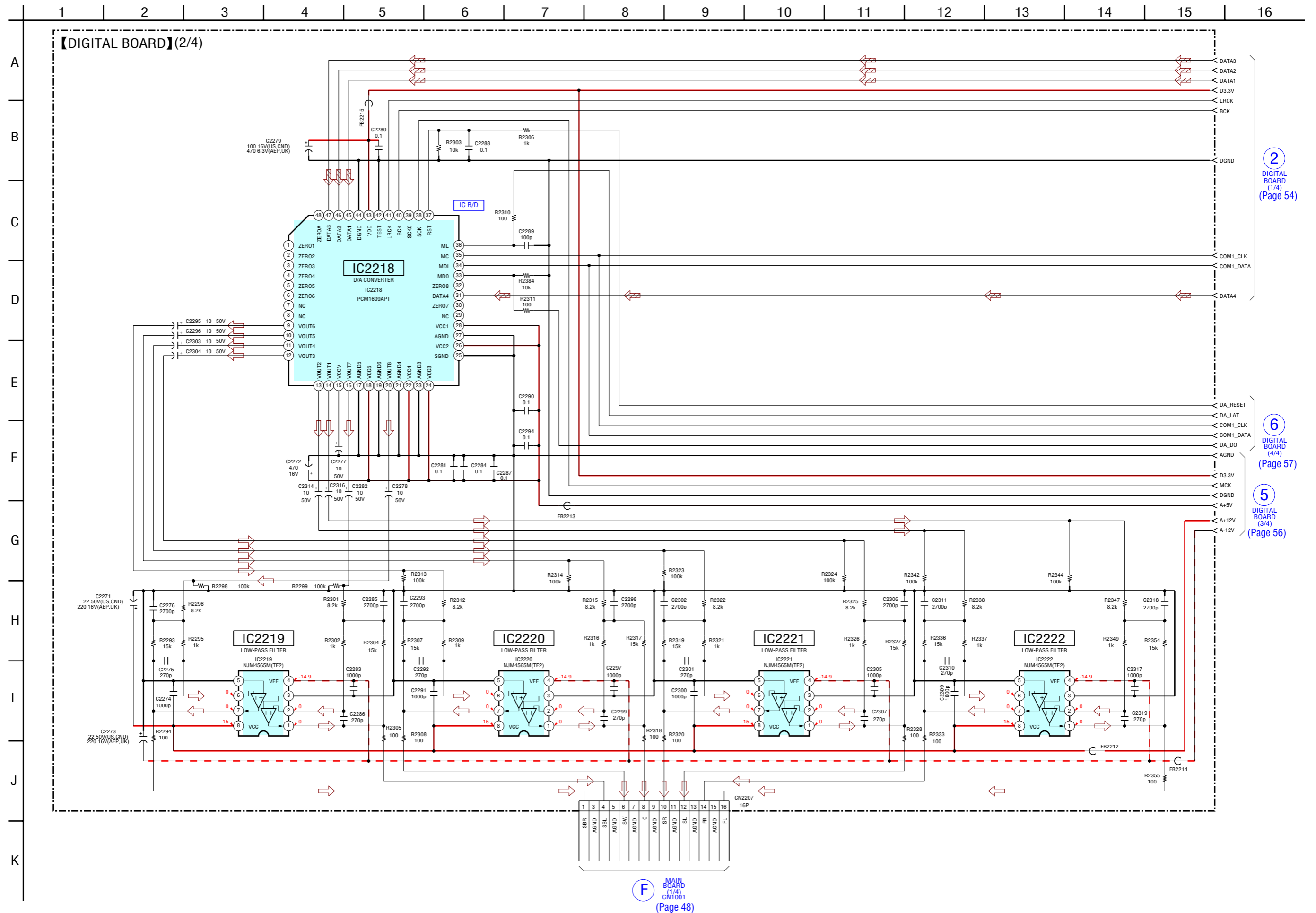
• Semiconductor Location

Ref. No.	Location
IC2201	B-8
IC2202	C-8
IC2203	C-8
IC2204	D-8
IC2205	D-8
IC2225	A-8

6-21. SCHEMATIC DIAGRAM – DIGITAL Board (1/4) – • See page 127 for IC Block Diagrams.



6-22. SCHEMATIC DIAGRAM – DIGITAL Board (2/4) – • See page 127 for IC Block Diagrams.



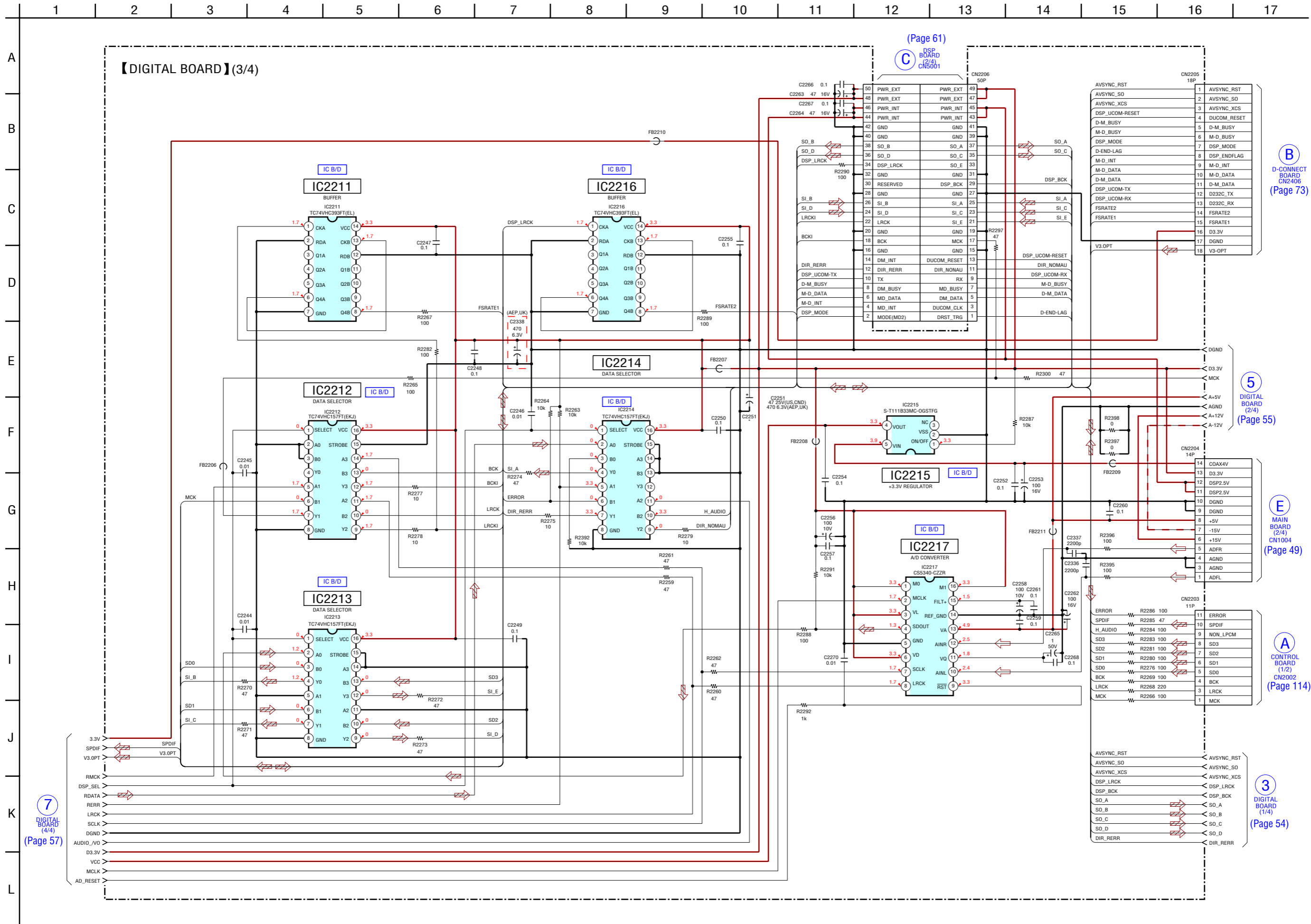
2 DIGITAL BOARD (1/4) (Page 54)

6 DIGITAL BOARD (4/4) (Page 57)

5 DIGITAL BOARD (3/4) (Page 56)

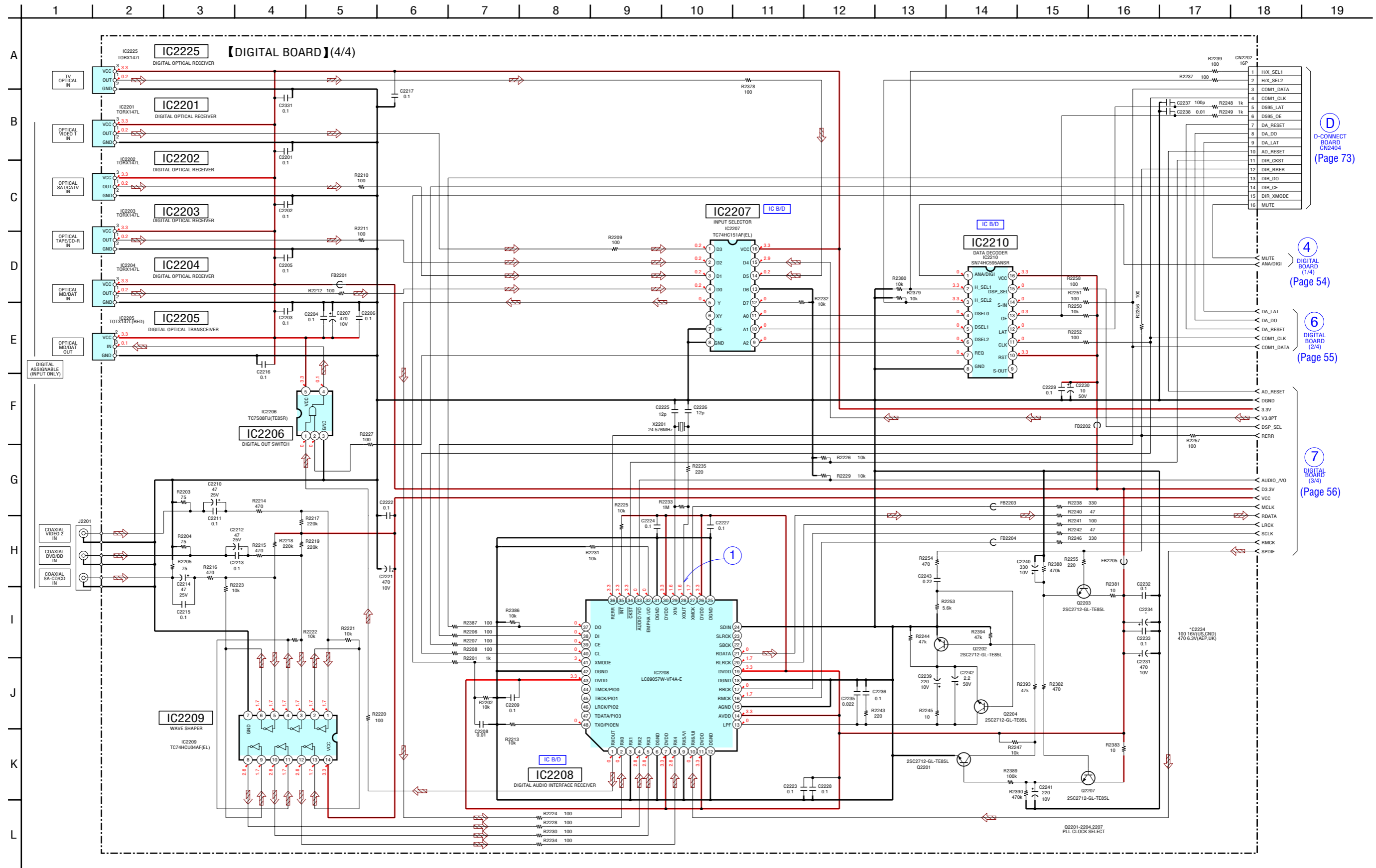
F MAIN BOARD (1/4) CN1001 (Page 48)

6-23. SCHEMATIC DIAGRAM – DIGITAL Board (3/4) – See page 127 for IC Block Diagrams.





6-24. SCHEMATIC DIAGRAM – DIGITAL Board (4/4) – • See page 126 for Waveforms. • See page 127 for IC Block Diagrams.



D  
D-CONNECT BOARD CN2404 (Page 73)

4  
DIGITAL BOARD (1/4) (Page 54)

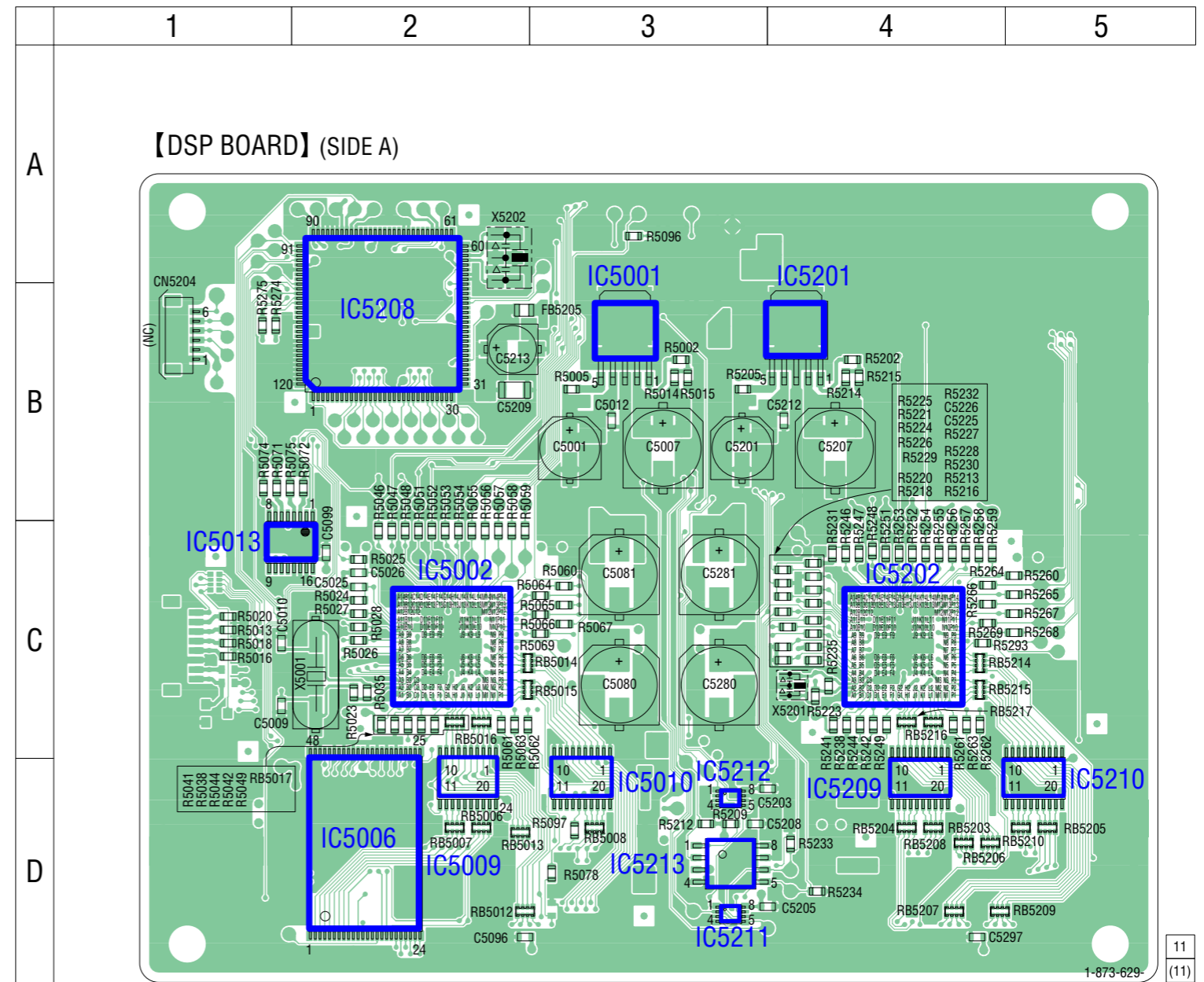
6  
DIGITAL BOARD (2/4) (Page 55)

7  
DIGITAL BOARD (3/4) (Page 56)

• Semiconductor Location


Ref. No.	Location
IC5001	B-3
IC5002	C-2
IC5006	D-2
IC5009	D-2
IC5010	D-3
IC5013	C-1
IC5201	B-4
IC5202	C-4
IC5208	B-2
IC5209	D-4
IC5210	D-5
IC5211	D-3
IC5212	D-3
IC5213	D-3

6-25. PRINTED WIRING BOARD – DSP Board (Side A) – • See page 45 for Circuit Boards Location.  : Uses unleaded solder.



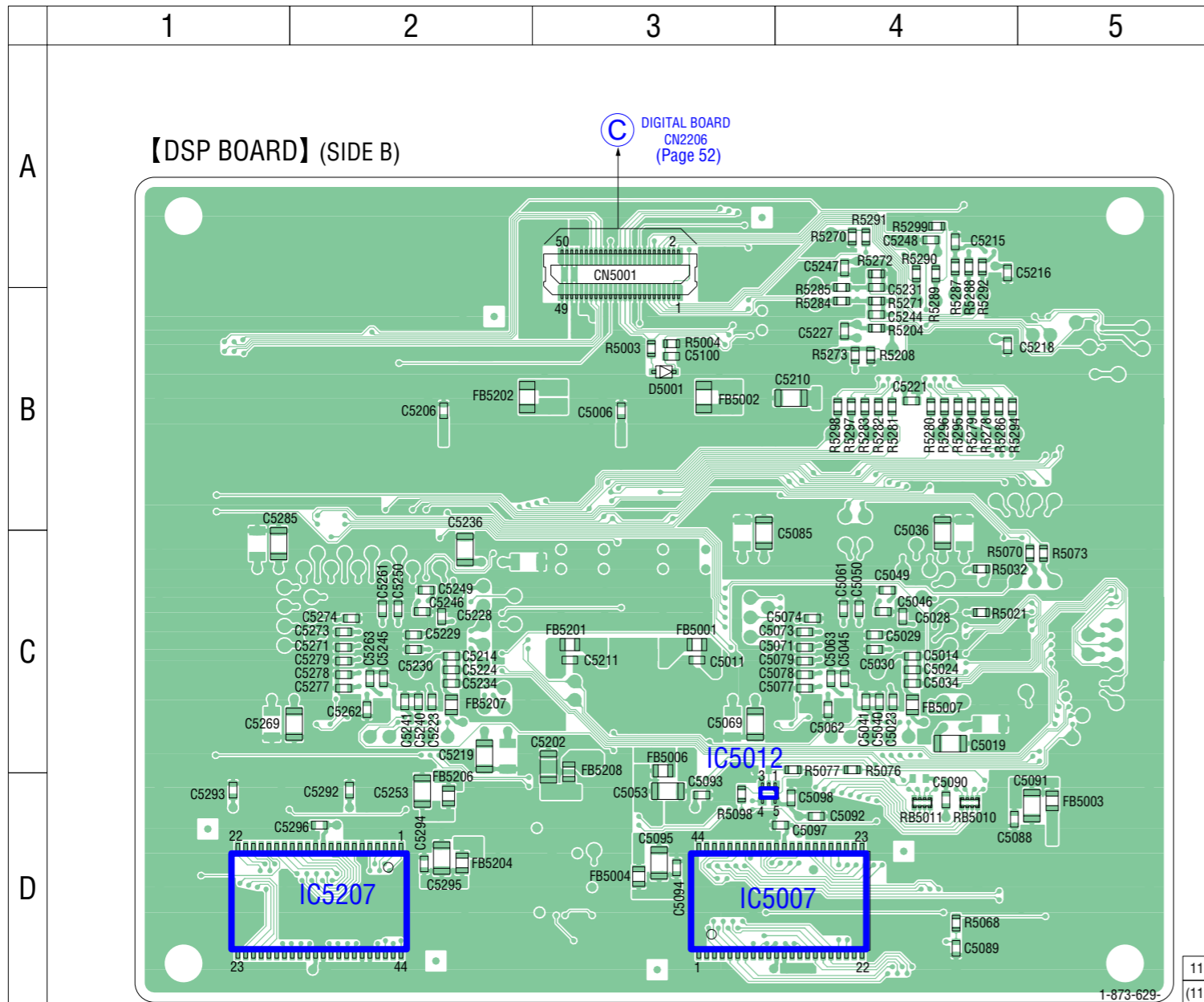
11  
(11)

**Note:** IC5002 and IC5202 cannot exchange with single. When IC5002 and IC5202 are damaged, exchange the entire mounted board.

6-26. PRINTED WIRING BOARD – DSP Board (Side B) – • See page 45 for Circuit Boards Location.  : Uses unleaded solder.

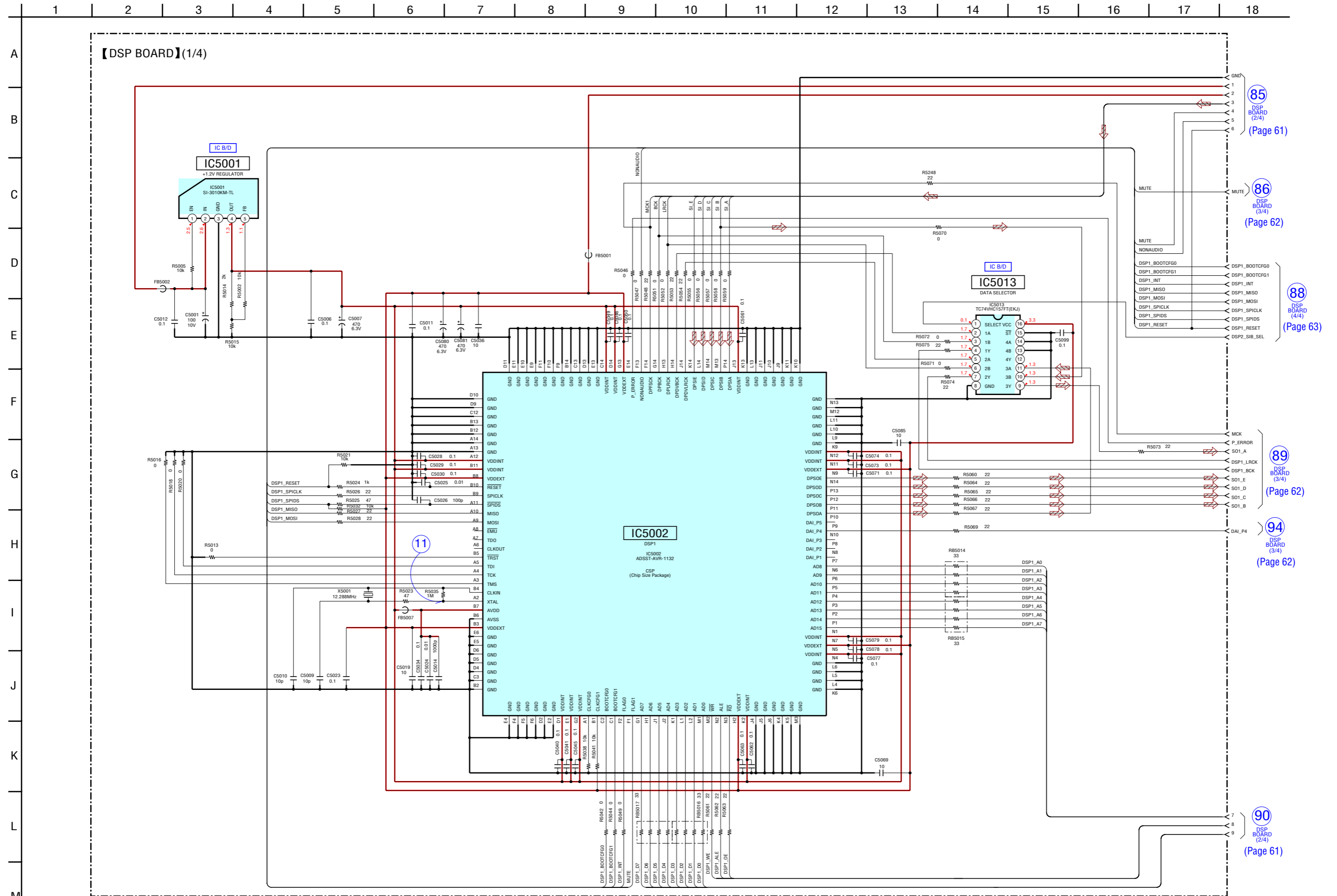
• Semiconductor Location

Ref. No.	Location
D5001	B-3
IC5007	D-4
IC5012	D-3
IC5207	D-2



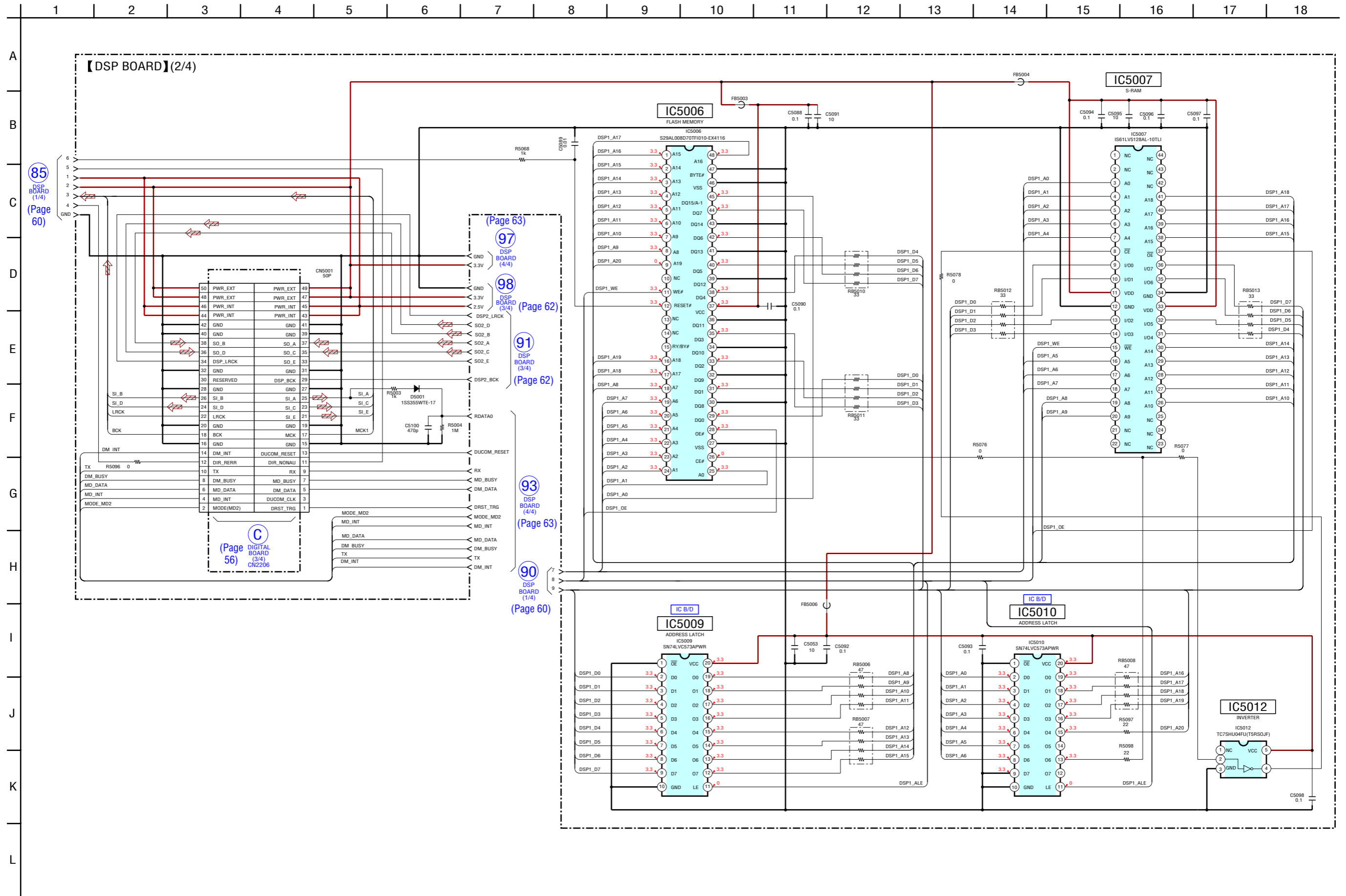
11  
(11)

6-27. SCHEMATIC DIAGRAM – DSP Board (1/4) – • See page 126 for Waveforms. • See page 127 for IC Block Diagrams. • See page 141 for IC Pin Function Description.



**Note:** IC5002 cannot exchange with single. When IC5002 is damaged, exchange the entire mounted board.

6-28. SCHEMATIC DIAGRAM – DSP Board (2/4) – • See page 127 for IC Block Diagrams.



85 DSP BOARD (1/4) (Page 60)

97 DSP BOARD (4/4) (Page 63)

98 DSP BOARD (3/4) (Page 62)

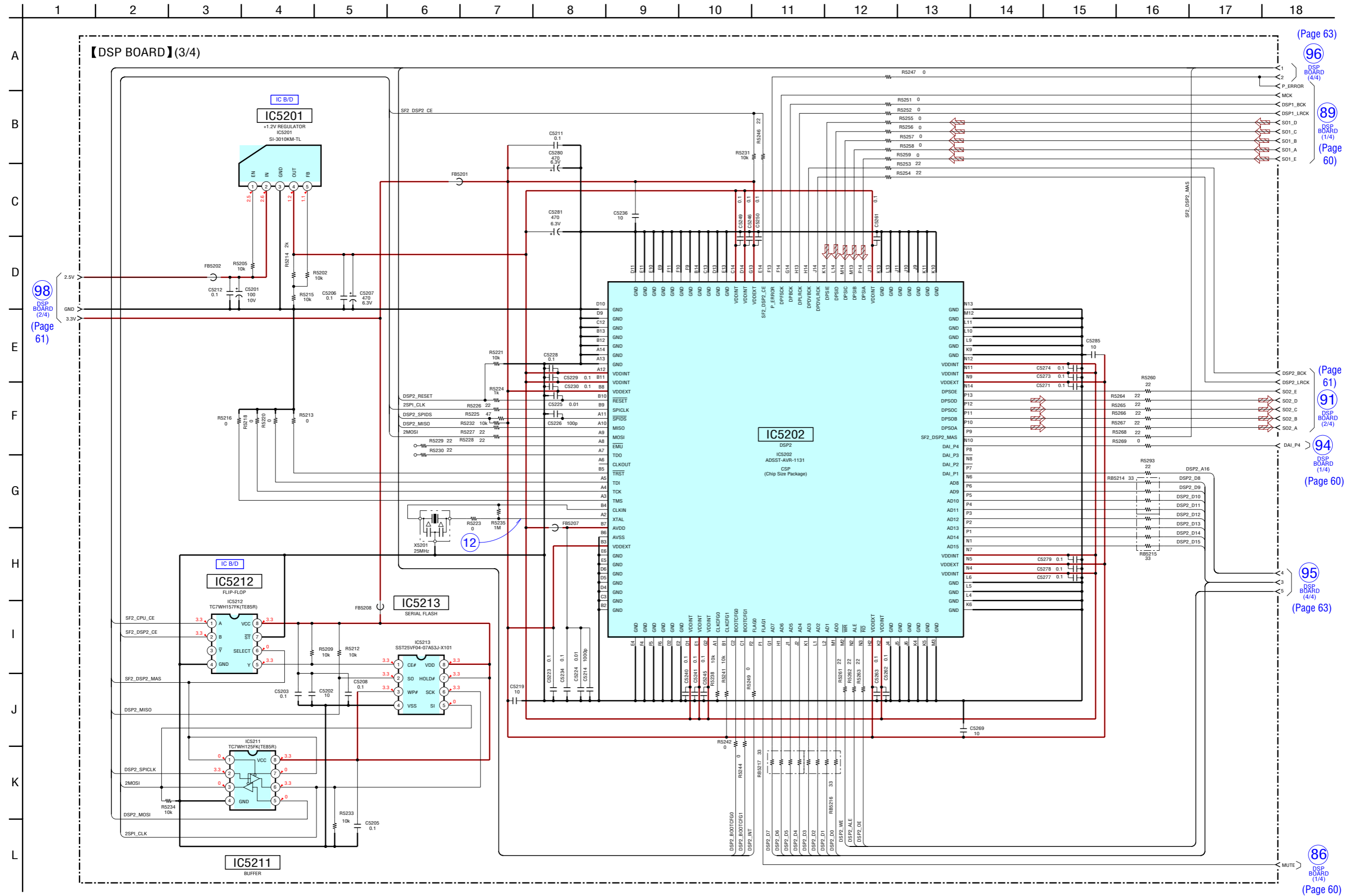
91 DSP BOARD (3/4) (Page 62)

93 DSP BOARD (4/4) (Page 63)

90 DSP BOARD (1/4) (Page 60)

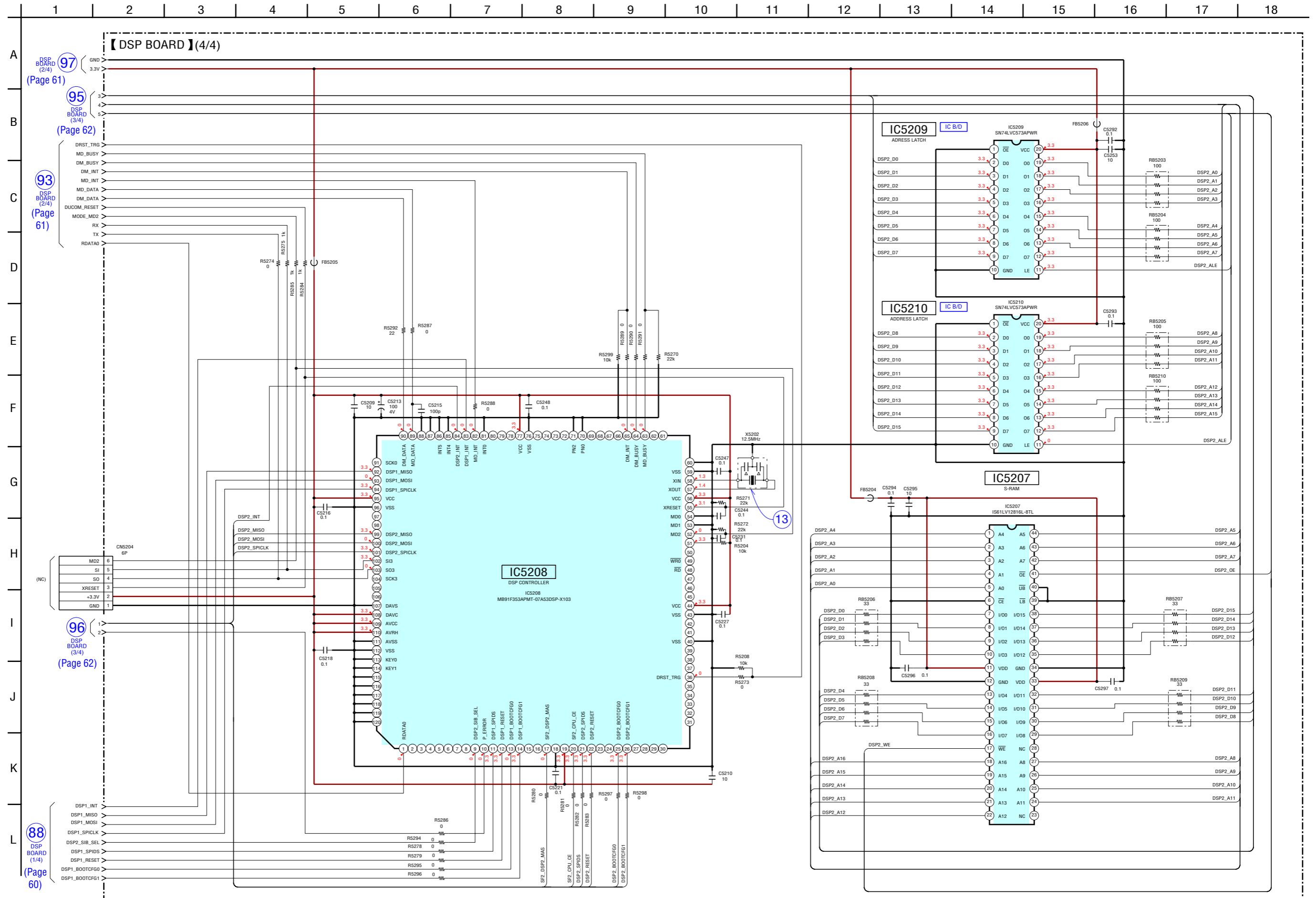
C DIGITAL BOARD (3/4) CN2206 (Page 56)


6-29. SCHEMATIC DIAGRAM – DSP Board (3/4) – • See page 126 for Waveforms. • See page 127 for IC Block Diagrams. • See page 141 for IC Pin Function Description.



Note: IC5202 cannot exchange with single. When IC5202 is damaged, exchange the entire mounted board.

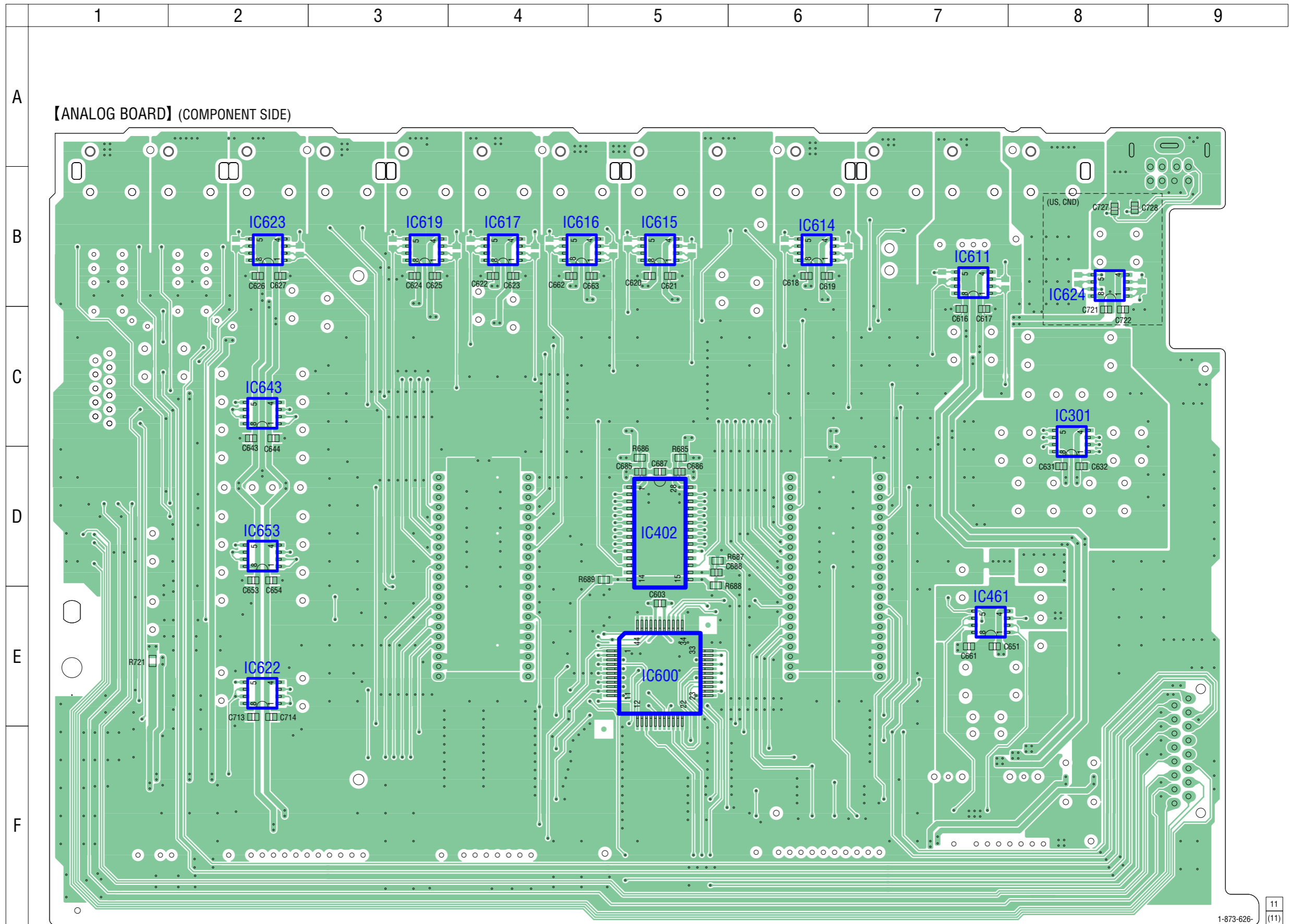
6-30. SCHEMATIC DIAGRAM – DSP Board (4/4) – • See page 126 for Waveforms. • See page 127 for IC Block Diagrams. • See page 141 for IC Pin Function Description.




6-31. PRINTED WIRING BOARD – ANALOG Board (Component Side) – • See page 45 for Circuit Boards Location.  : Uses unleaded solder.

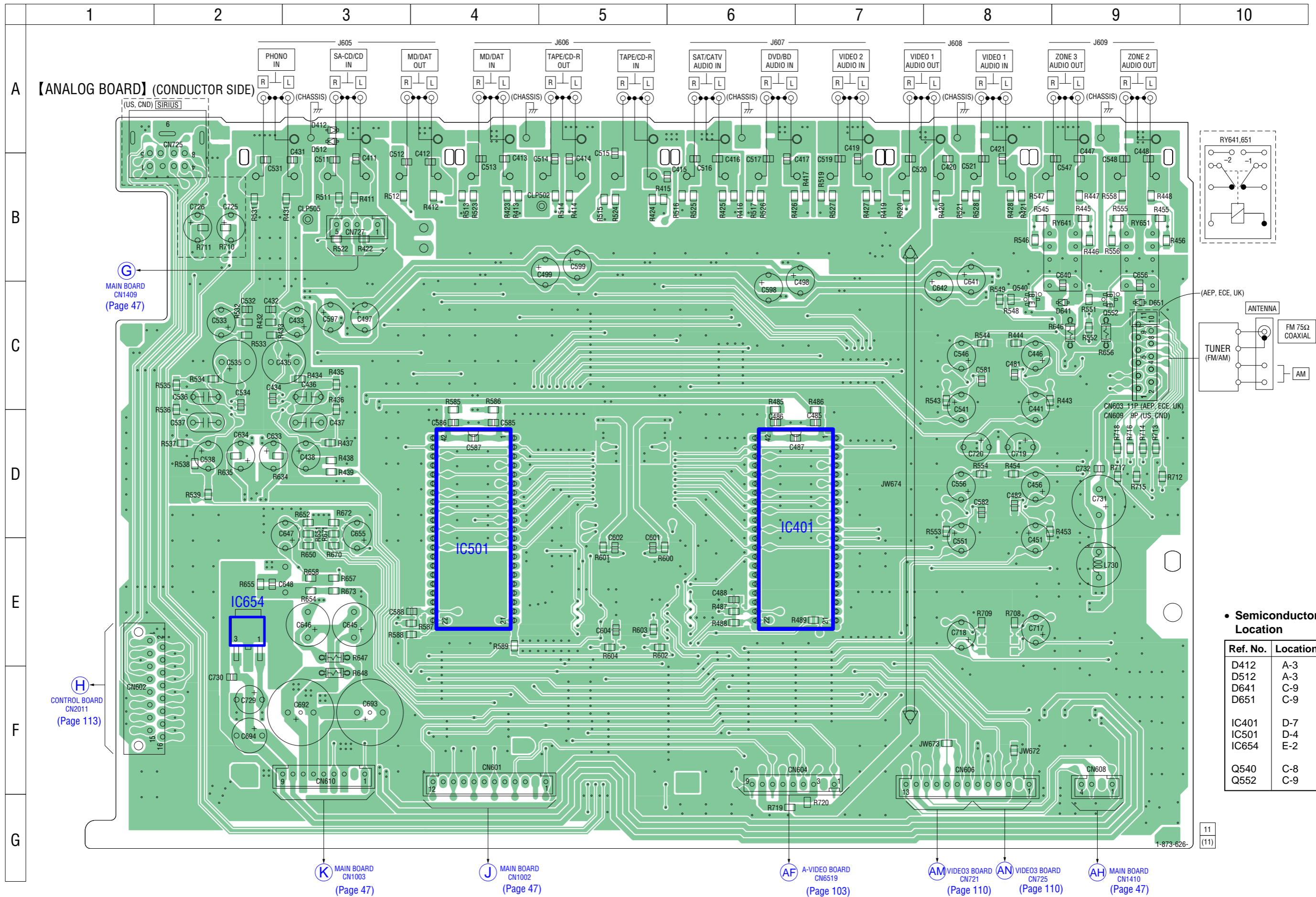
• Semiconductor Location

Ref. No.	Location
IC301	C-8
IC402	D-5
IC461	E-7
IC600	E-5
IC611	B-7
IC614	B-6
IC615	B-5
IC616	B-4
IC617	B-4
IC619	B-3
IC622	E-2
IC623	B-2
IC624	B-8
IC643	C-2
IC653	D-2





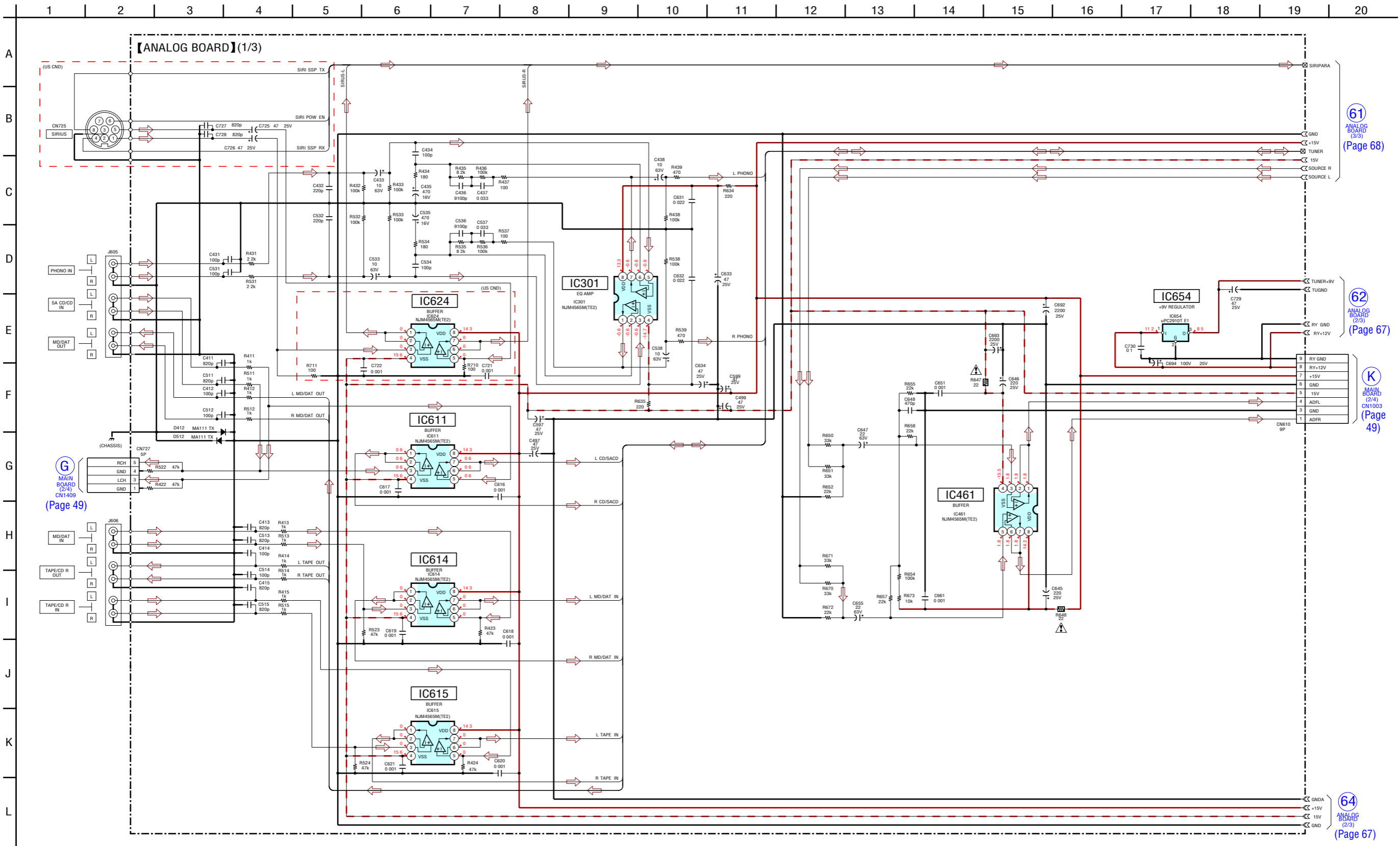
6-32. PRINTED WIRING BOARD – ANALOG Board (Conductor Side) – • See page 45 for Circuit Boards Location.  : Uses unleaded solder.



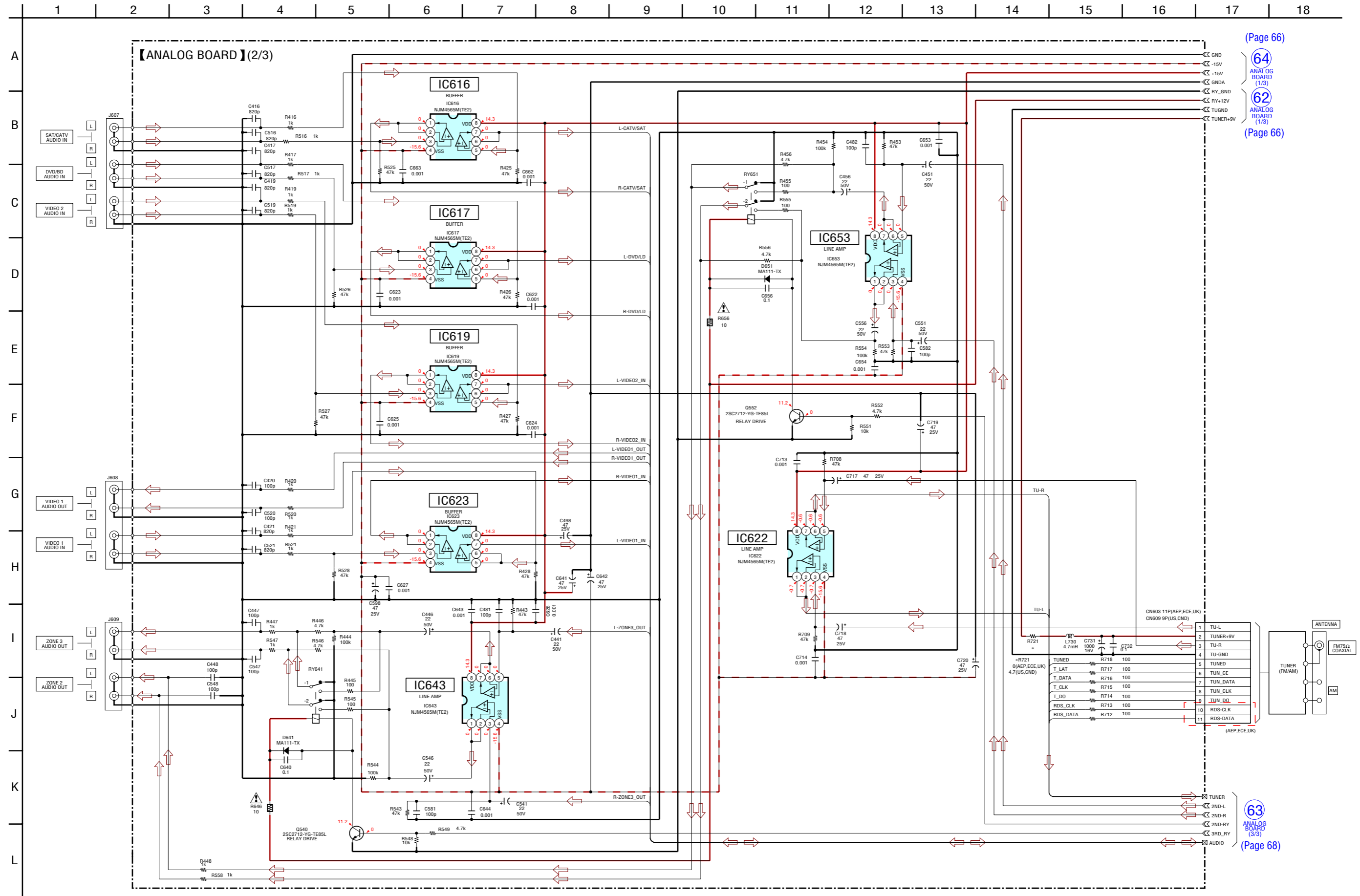
• Semiconductor Location

Ref. No.	Location
D412	A-3
D512	A-3
D641	C-9
D651	C-9
IC401	D-7
IC501	D-4
IC654	E-2
Q540	C-8
Q552	C-9

6-33. SCHEMATIC DIAGRAM – ANALOG Board (1/3) –



6-34. SCHEMATIC DIAGRAM – ANALOG Board (2/3) –

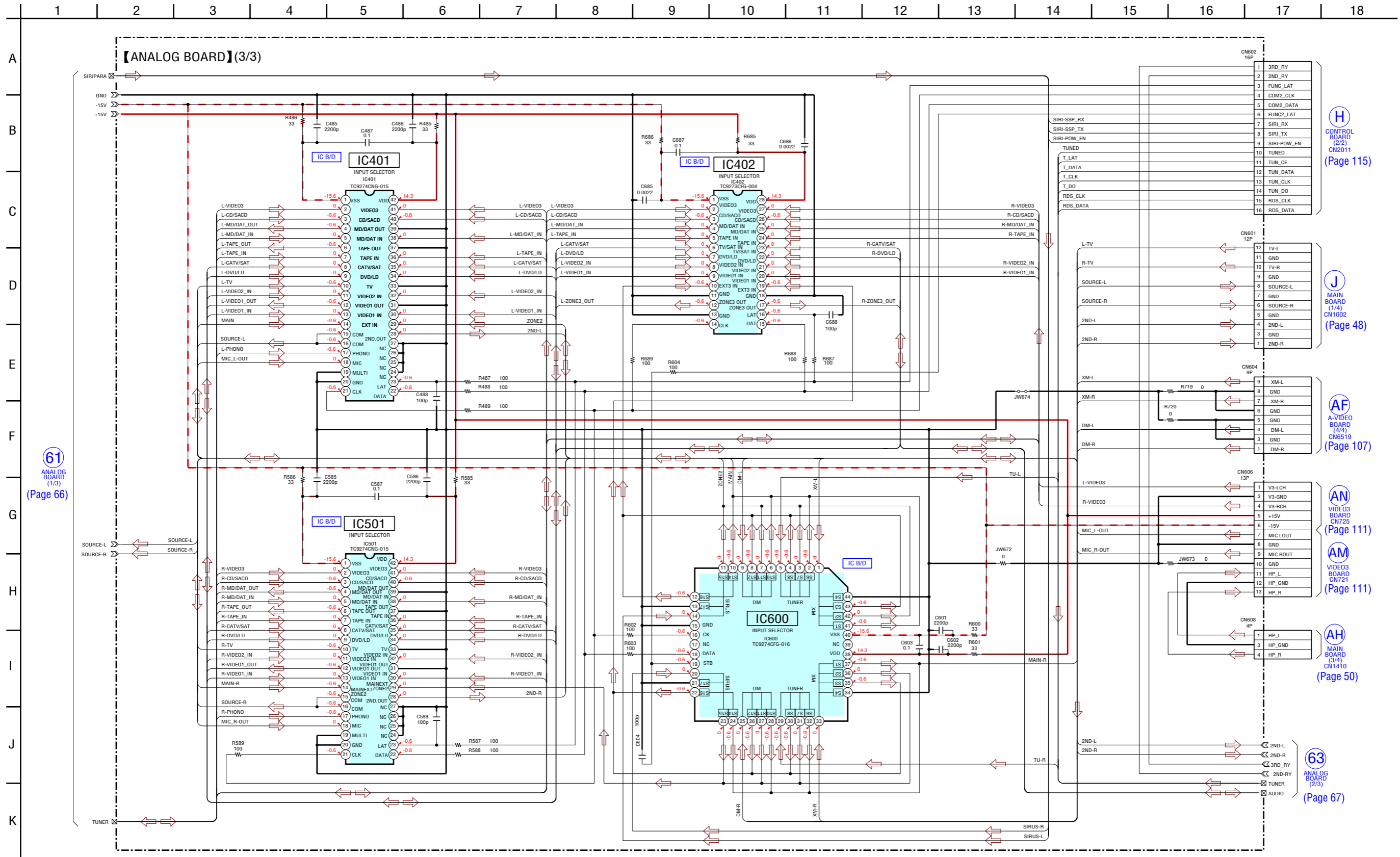


(Page 66)

64  
ANALOG BOARD (1/3)  
62  
ANALOG BOARD (1/3)  
(Page 66)

63  
ANALOG BOARD (3/3)  
(Page 68)

6-35. SCHEMATIC DIAGRAM – ANALOG Board (3/3) – • See page 127 for IC Block Diagrams.



61  
ANALOG BOARD (1/3)  
(Page 66)

H  
CONTROL BOARD (2/2)  
CN2011  
(Page 115)

J  
MAIN BOARD (1/4)  
CN1002  
(Page 48)


AF  
A-VIDEO BOARD (4/4)  
CN6519  
(Page 107)

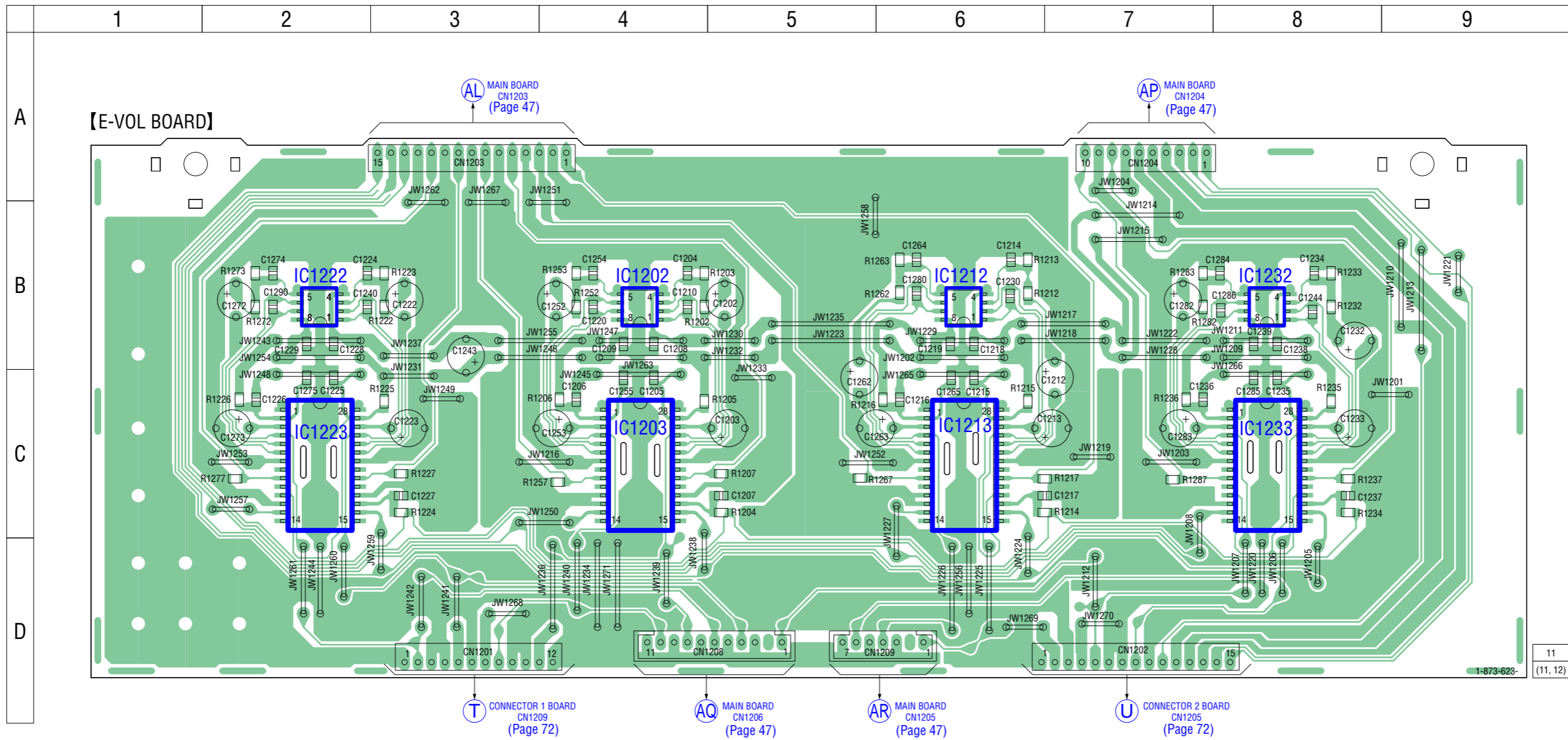
AN  
VIDEO3 BOARD (2/5)  
CN725  
(Page 111)

AM  
VIDEO3 BOARD (4/4)  
CN721  
(Page 111)

AH  
MAIN BOARD (3/4)  
CN1410  
(Page 50)

63  
ANALOG BOARD (2/3)  
(Page 67)

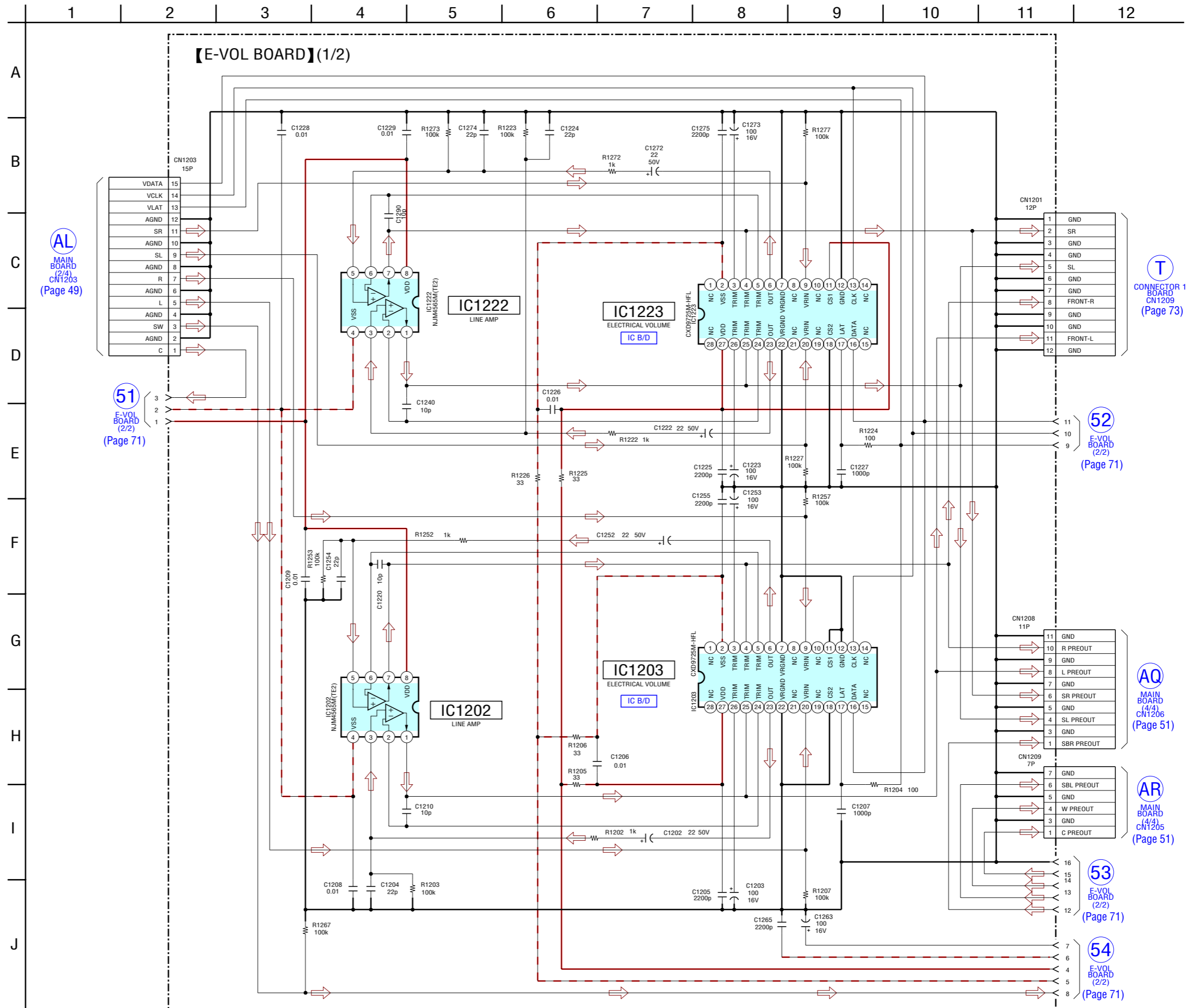
6-36. PRINTED WIRING BOARD – E-VOL Board – • See page 45 for Circuit Boards Location.  : Uses unleaded solder.



• Semiconductor Location

Ref. No.	Location
IC1202	B-4
IC1203	C-4
IC1212	B-6
IC1213	C-6
IC1222	B-2
IC1232	B-8
IC1233	C-8

6-37. SCHEMATIC DIAGRAM – E-VOL Board (1/2) – • See page 127 for IC Block Diagrams.



AL  
MAIN BOARD (2/4)  
CN1203 (Page 49)

51  
E-VOL BOARD (2/2)  
(Page 71)

T  
CONNECTOR 1 BOARD CN1209 (Page 73)

52  
E-VOL BOARD (2/2)  
(Page 71)

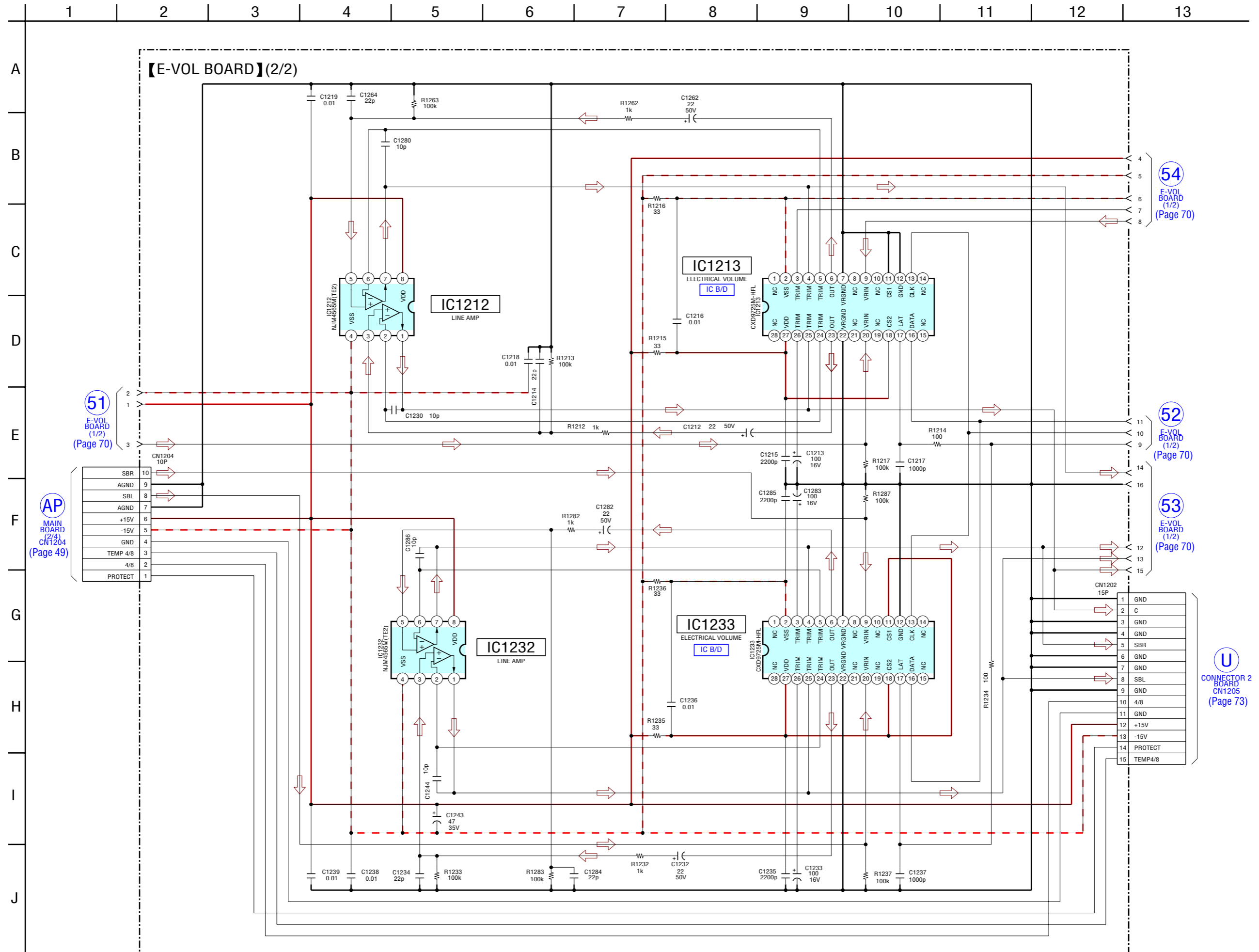
AQ  
MAIN BOARD (4/4)  
CN1206 (Page 51)


AR  
MAIN BOARD (4/4)  
CN1205 (Page 51)

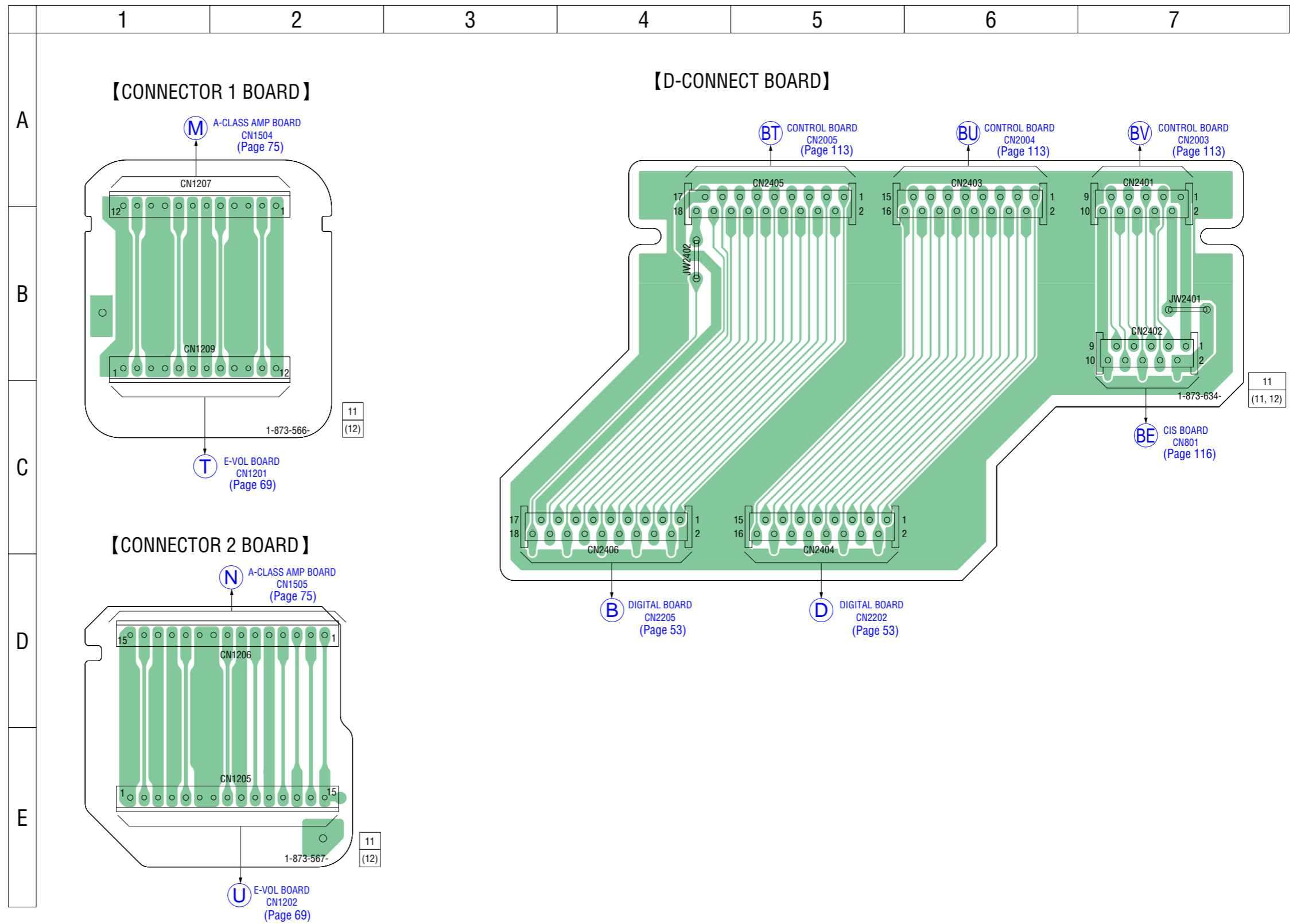
53  
E-VOL BOARD (2/2)  
(Page 71)

54  
E-VOL BOARD (2/2)  
(Page 71)

6-38. SCHEMATIC DIAGRAM – E-VOL Board (2/2) – • See page 127 for IC Block Diagrams.

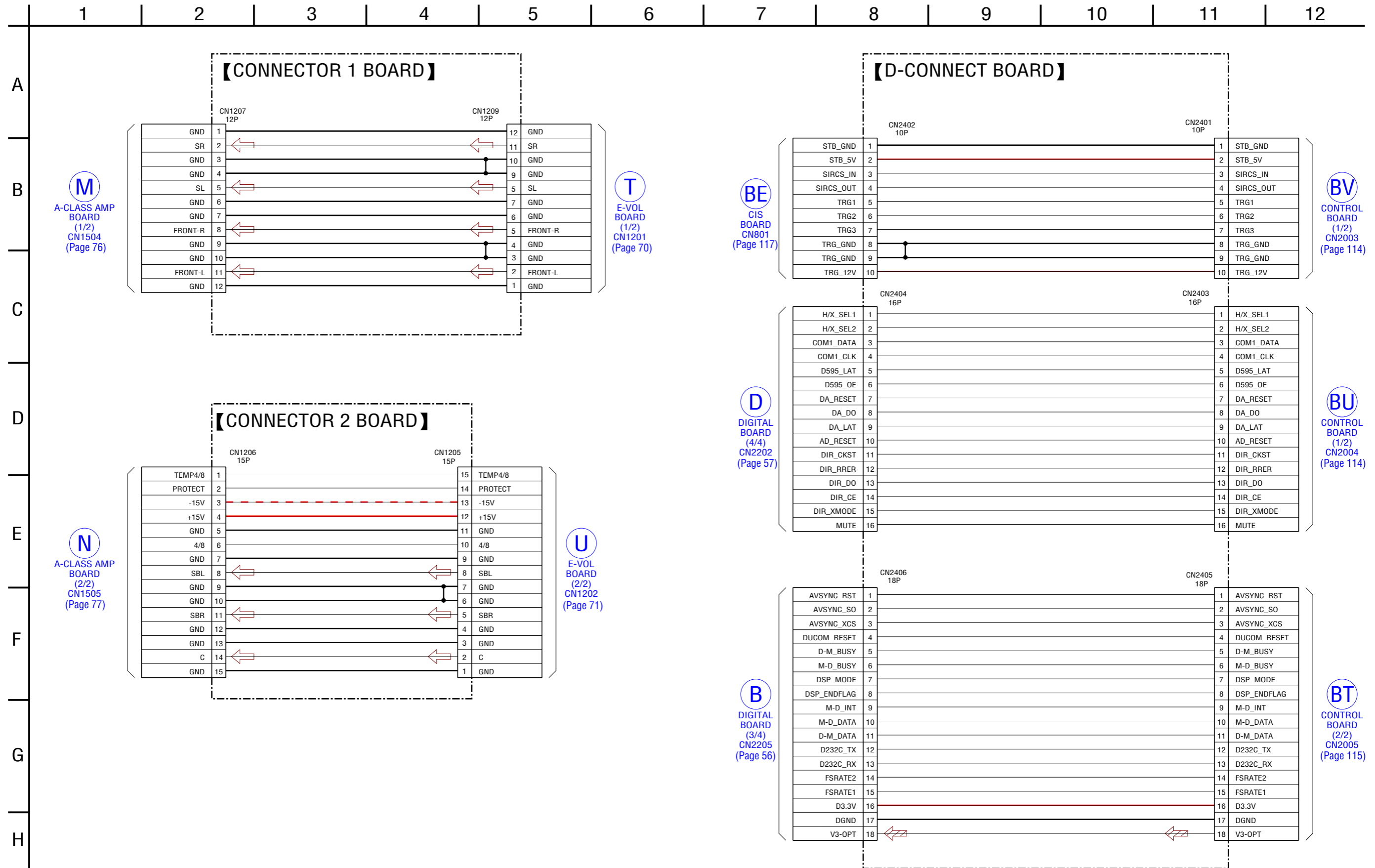


6-39. PRINTED WIRING BOARDS – CONNECTOR Section – • See page 45 for Circuit Boards Location.  : Uses unleaded solder.




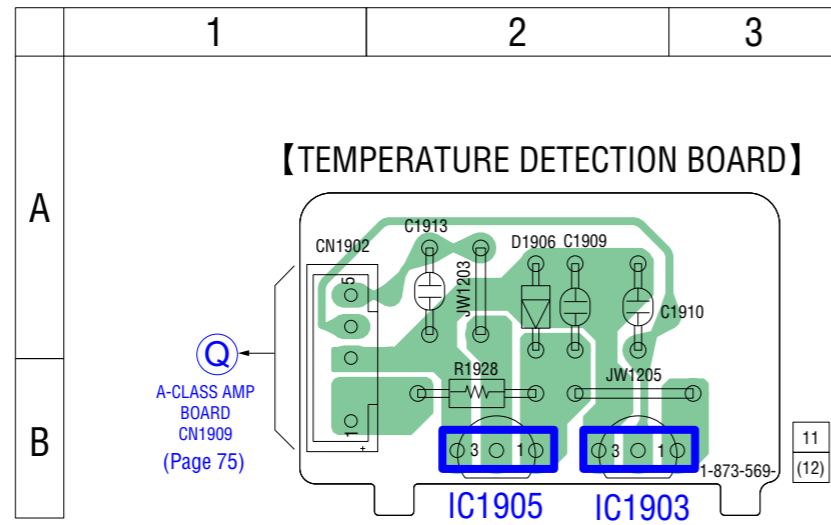


6-40. SCHEMATIC DIAGRAM – CONNECTOR Section –

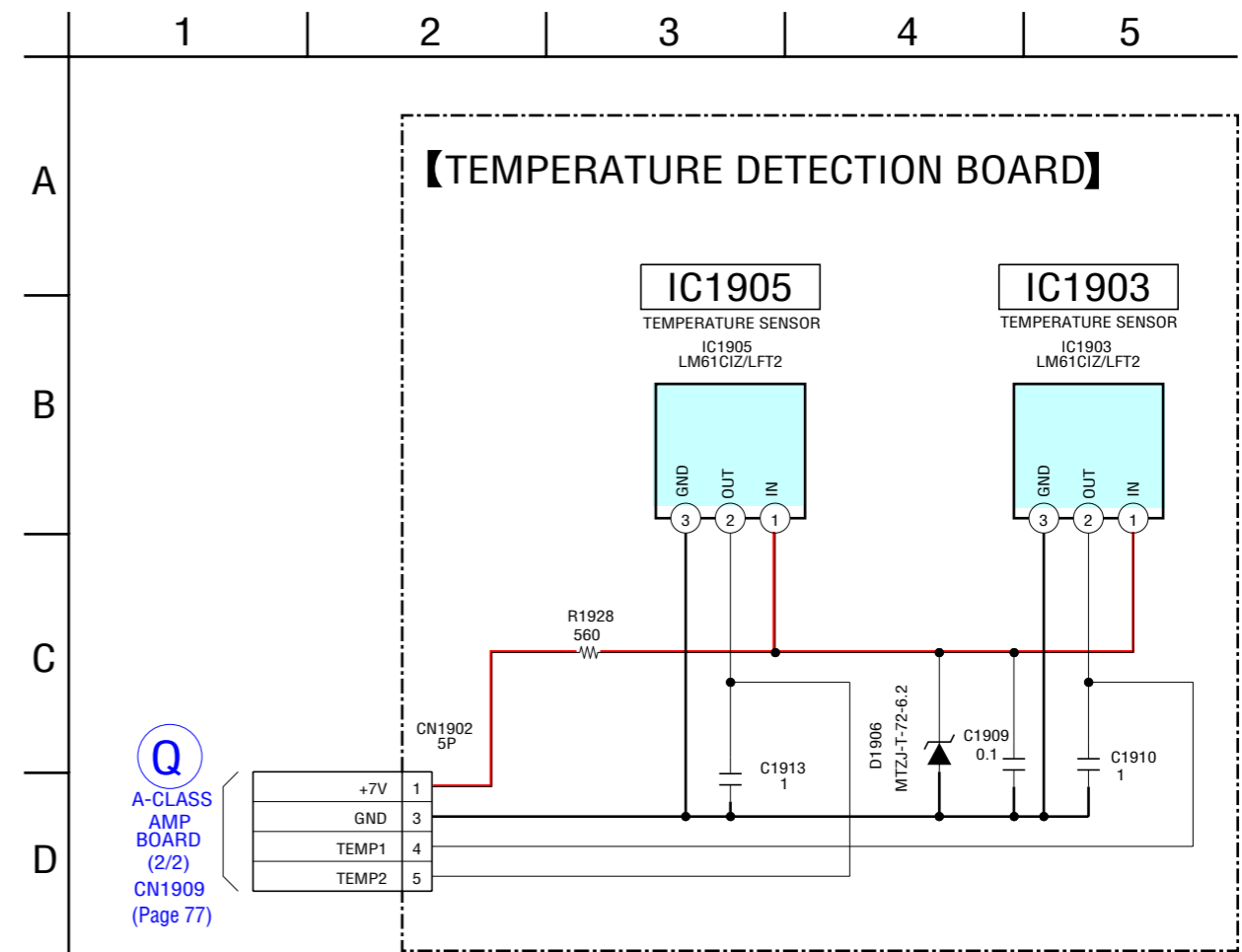


5-41. PRINTED WIRING BOARD – TEMPERATURE DETECTION Board –

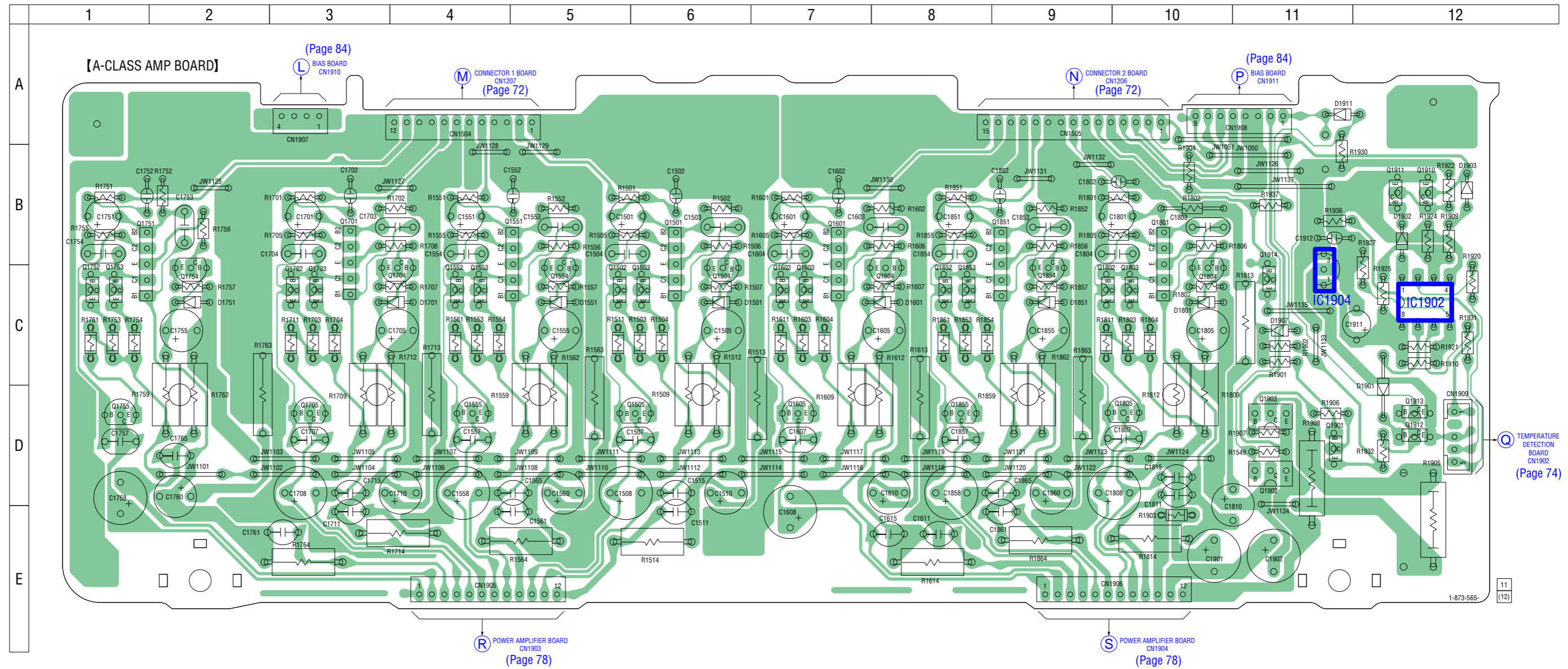
• See page 45 for Circuit Boards Location.  : Uses unleaded solder.



6-42. SCHEMATIC DIAGRAM – TEMPERATURE DETECTION Board –



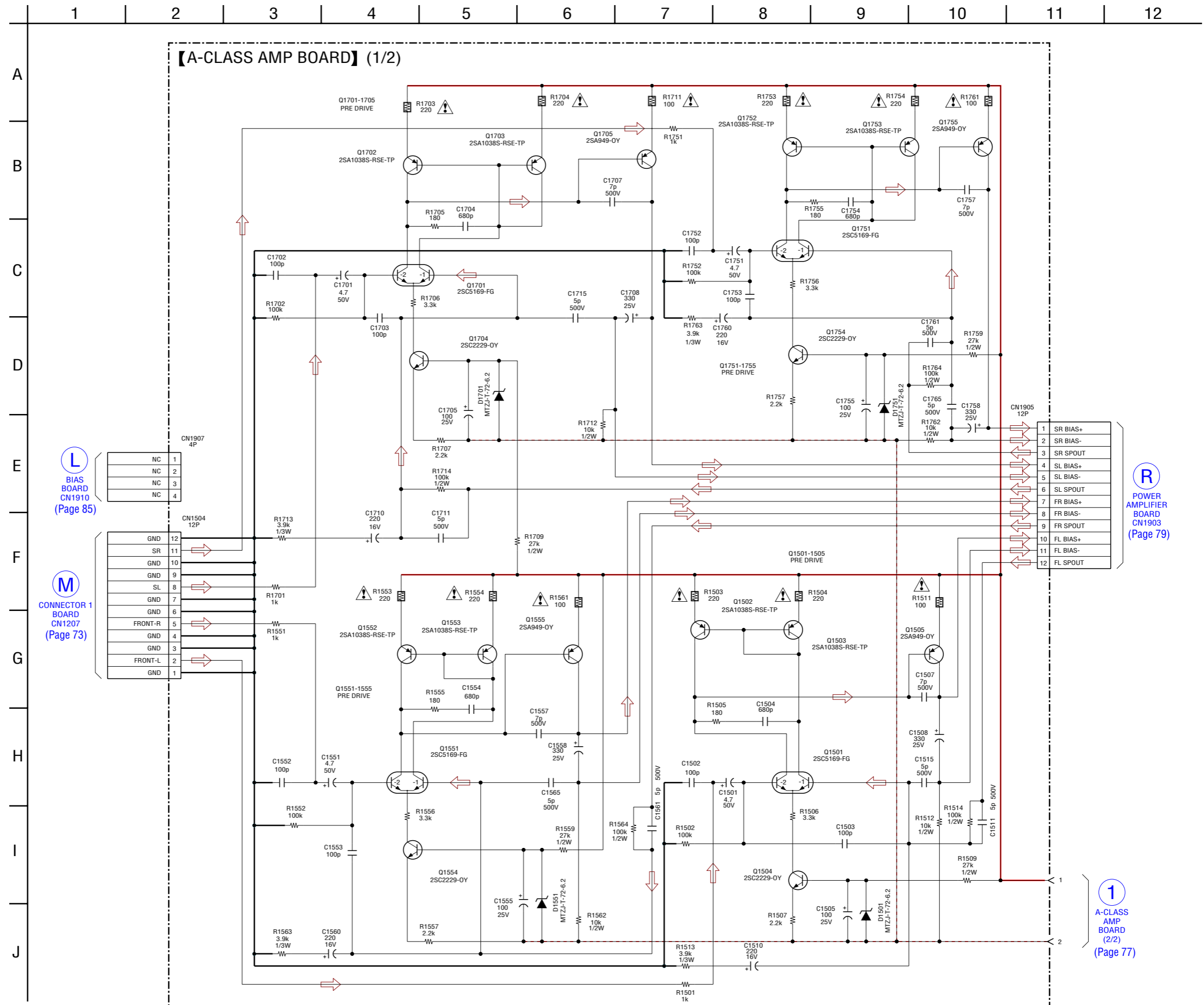
6-43. PRINTED WIRING BOARD – A-CLASS AMP Board – • See page 45 for Circuit Boards Location.  : Uses unleaded solder.



• Semiconductor Location

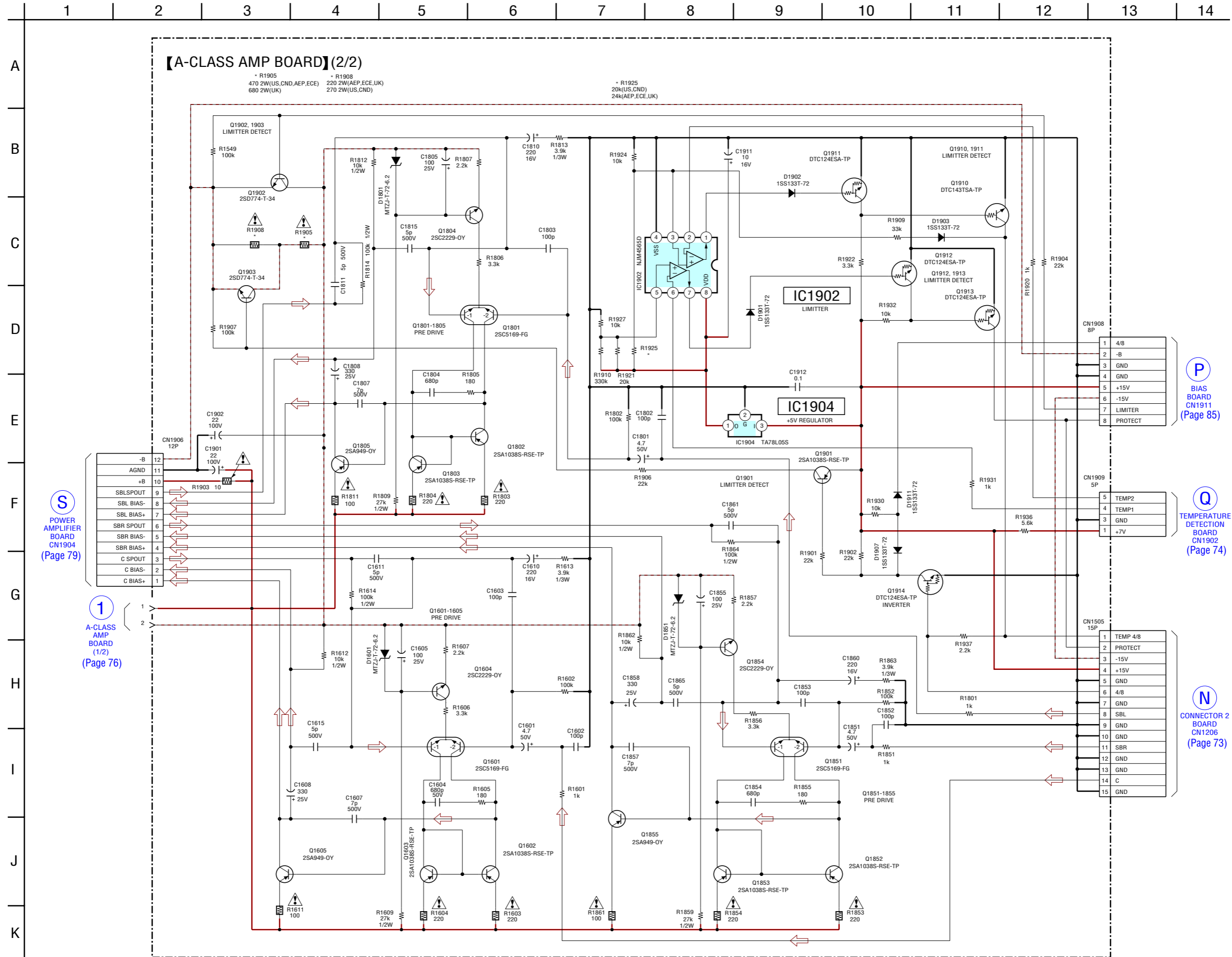
Ref. No.	Location	Ref. No.	Location	Ref. No.	Location
D1501	C-6	Q1505	D-6	Q1755	D-1
D1551	C-5	Q1551	B-5	Q1801	B-10
D1601	C-8	Q1552	C-4	Q1802	C-9
D1701	C-4	Q1553	C-4	Q1803	C-10
D1751	C-2	Q1554	C-5	Q1804	C-10
D1801	C-10	Q1555	D-4	Q1805	D-10
D1851	C-9	Q1601	B-7	Q1851	B-9
D1901	D-12	Q1602	C-7	Q1852	C-8
D1902	B-12	Q1603	C-7	Q1853	C-8
D1903	B-12	Q1604	C-8	Q1854	C-9
D1907	C-11	Q1605	D-7	Q1855	D-8
D1911	A-11	Q1701	B-3	Q1901	D-11
		Q1702	C-3	Q1902	D-11
IC1902	C-12	Q1703	C-3	Q1903	D-11
IC1904	C-11	Q1704	C-4	Q1910	B-12
		Q1705	D-3	Q1911	B-12
Q1501	B-6	Q1751	B-1	Q1912	D-12
Q1502	C-5	Q1752	C-1	Q1913	D-12
Q1503	C-6	Q1753	C-1	Q1914	C-11
Q1504	C-6	Q1754	C-2		

6-44. SCHEMATIC DIAGRAM – A-CLASS AMP Board (1/2) –

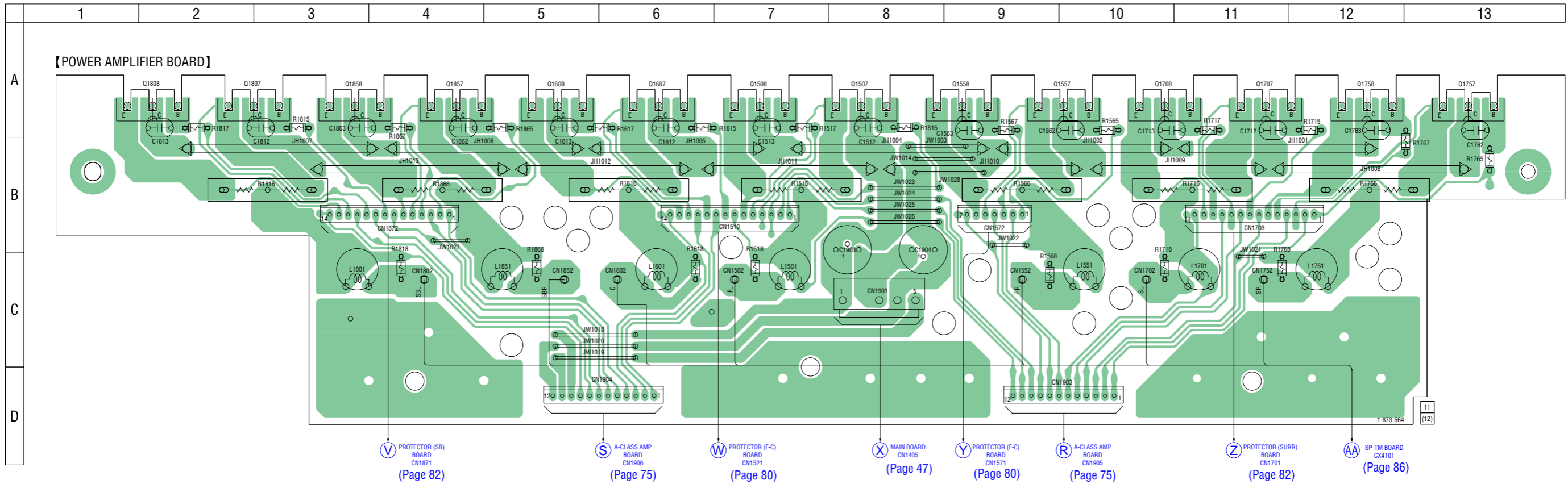


1  
A-CLASS AMP BOARD (2/2)  
(Page 77)

6-45. SCHEMATIC DIAGRAM – A-CLASS AMP Board (2/2) –



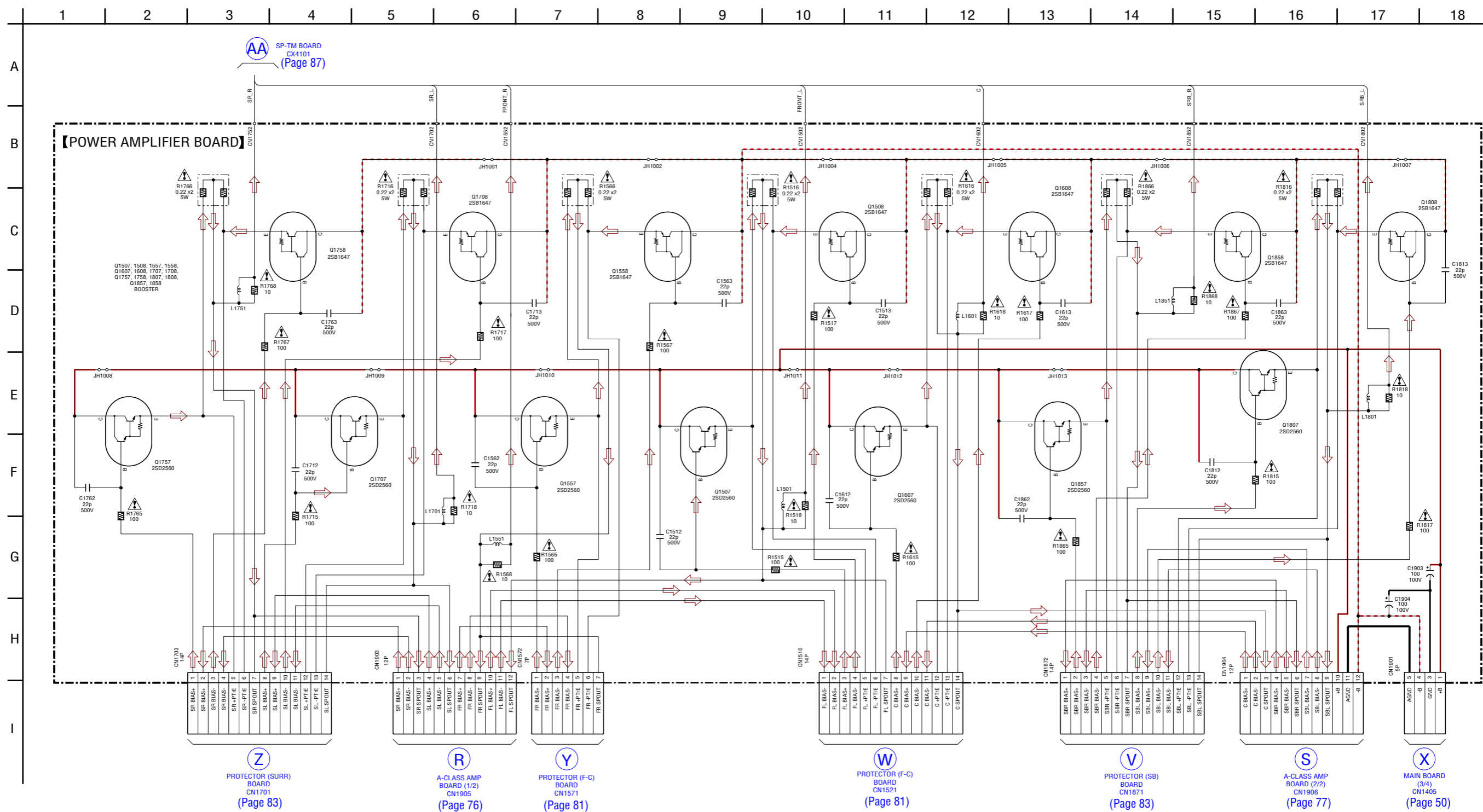
6-46. PRINTED WIRING BOARD – POWER AMPLIFIER Board – • See page 45 for Circuit Boards Location.  : Uses unleaded solder.



• Semiconductor Location

Ref. No.	Location
Q1507	A-8
Q1508	A-7
Q1557	A-10
Q1558	A-9
Q1607	A-6
Q1608	A-5
Q1707	A-11
Q1708	A-10
Q1757	A-13
Q1758	A-12
Q1807	A-2
Q1808	A-2
Q1857	A-4
Q1858	A-3

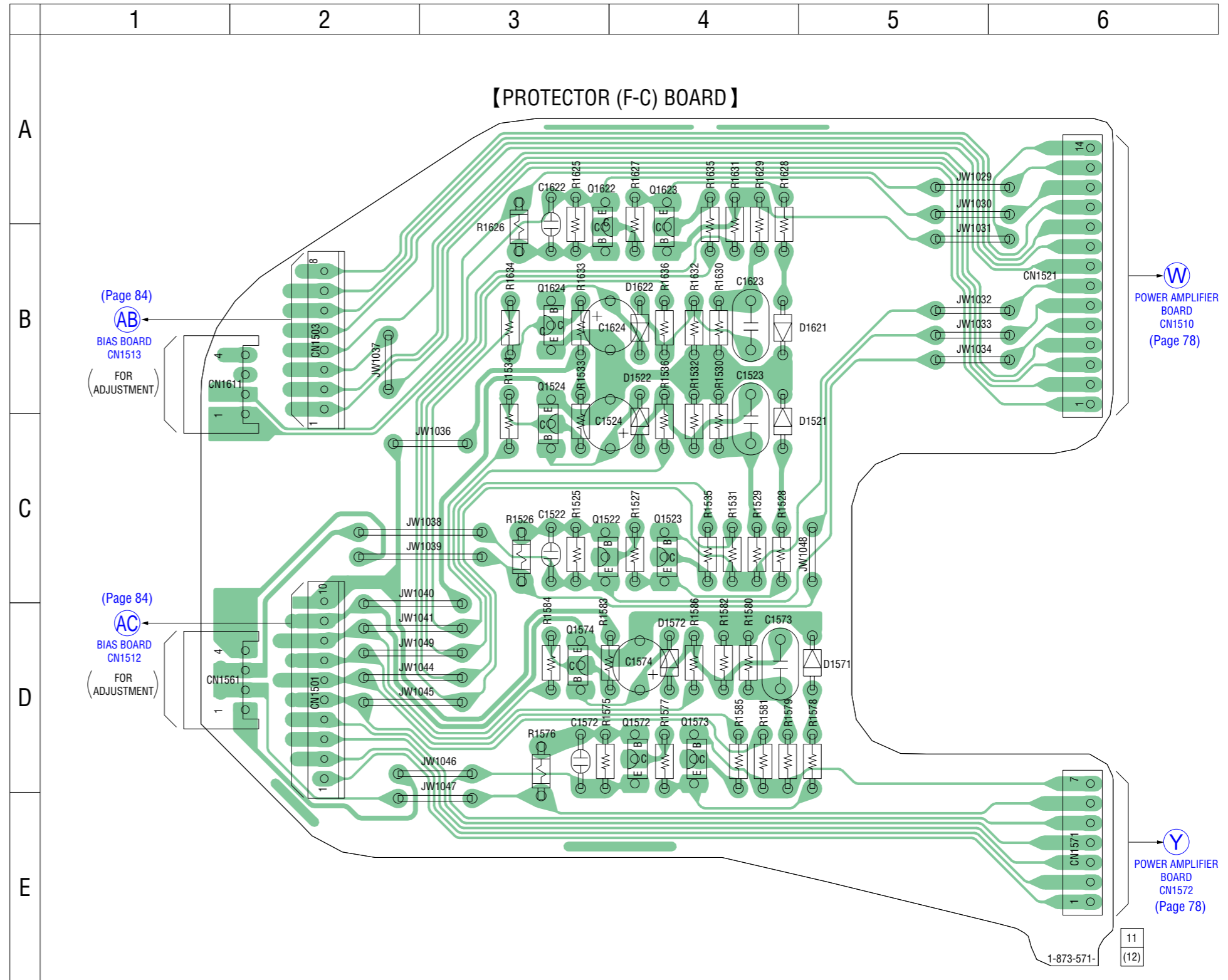
6-47. SCHEMATIC DIAGRAM – POWER AMPLIFIER Board –



6-48. PRINTED WIRING BOARD – PROTECTOR (F-C) Board – • See page 45 for Circuit Boards Location.  : Uses unleaded solder.

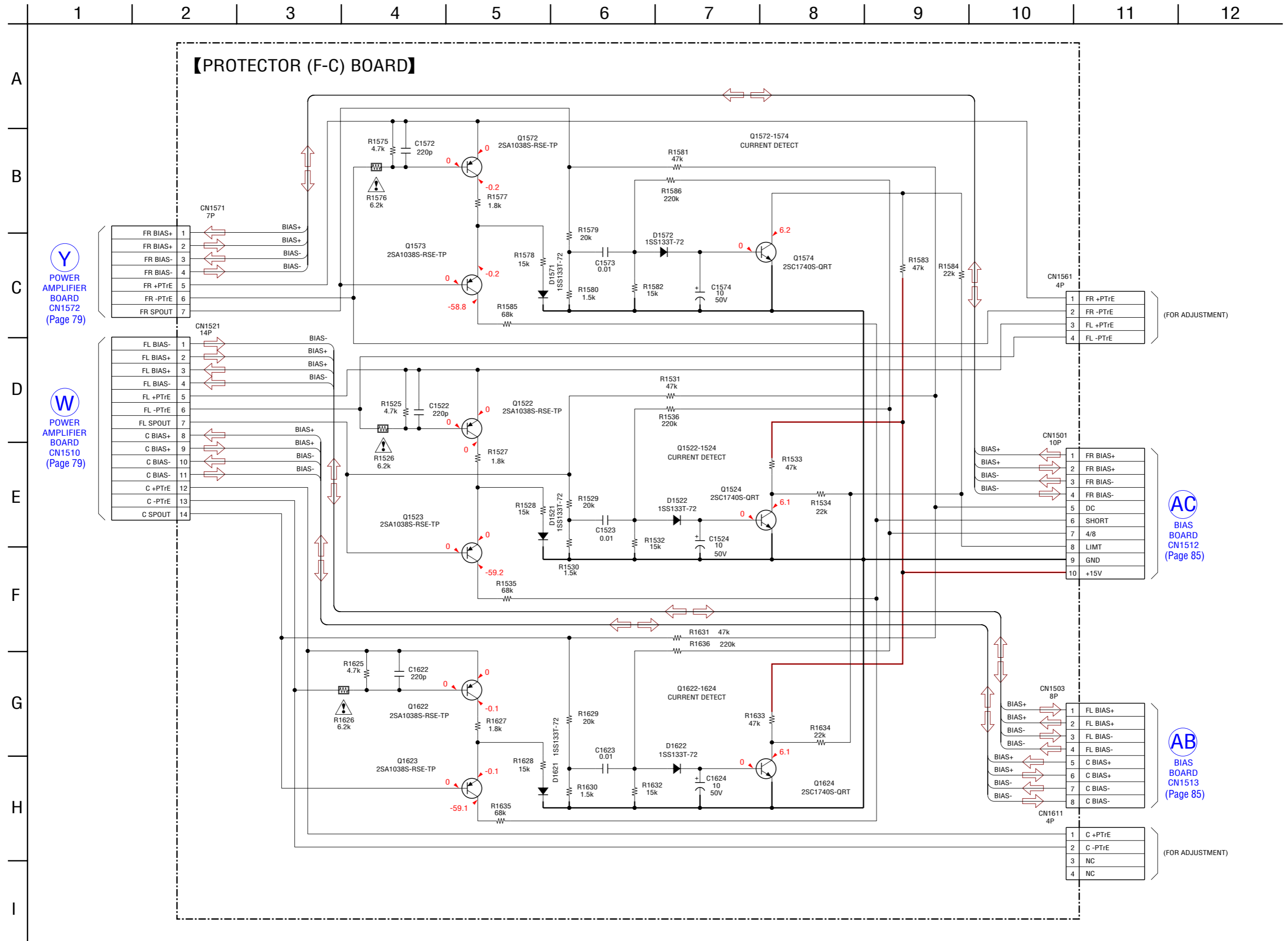
• Semiconductor Location

Ref. No.	Location
D1521	C-4
D1522	C-4
D1571	D-5
D1572	D-4
D1621	B-4
D1622	B-4
Q1522	C-3
Q1523	C-4
Q1524	C-3
Q1572	D-4
Q1573	D-4
Q1574	D-3
Q1622	B-3
Q1623	B-4
Q1624	B-3






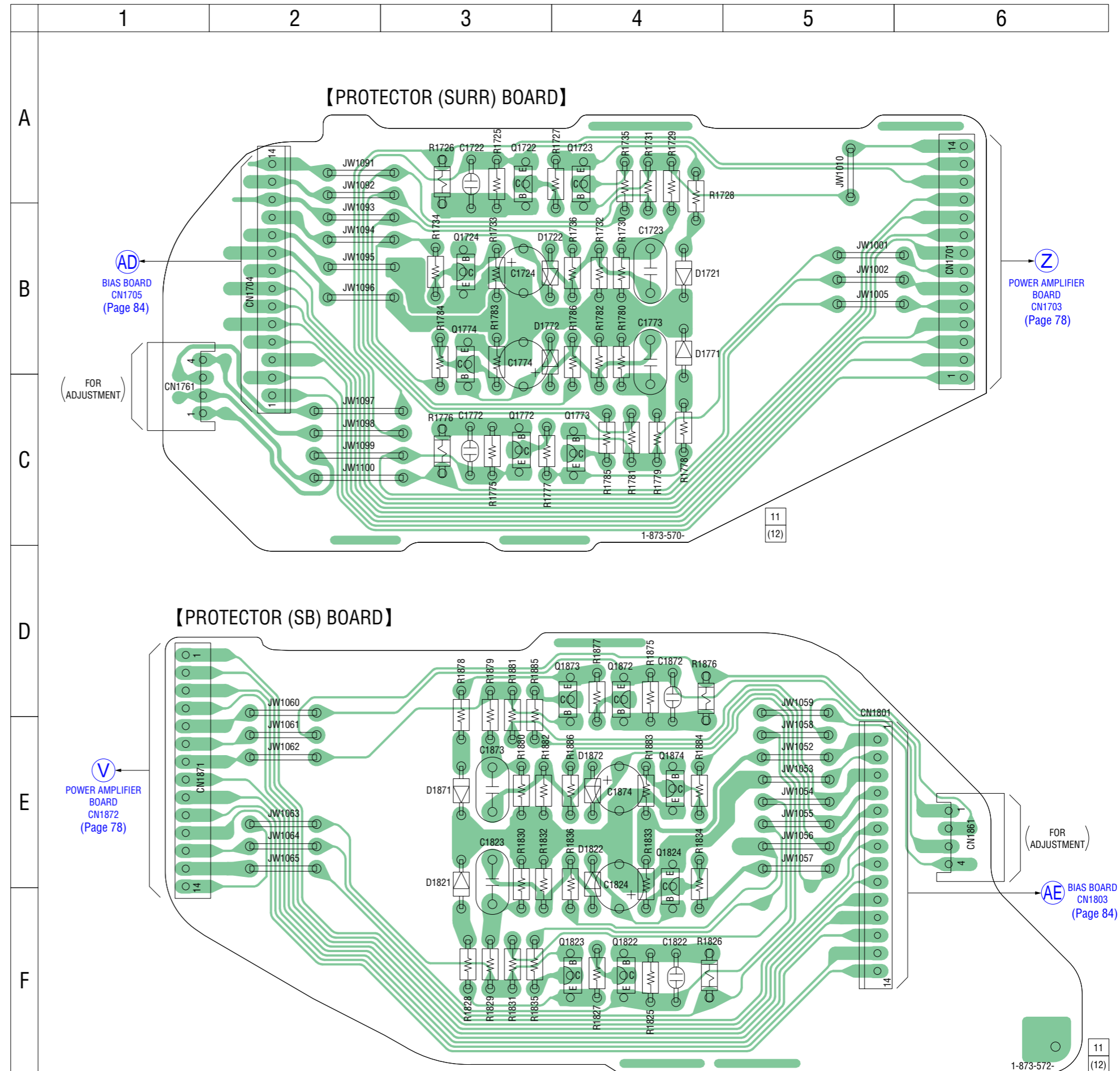
6-49. SCHEMATIC DIAGRAM – PROTECTOR (F-C) Board –



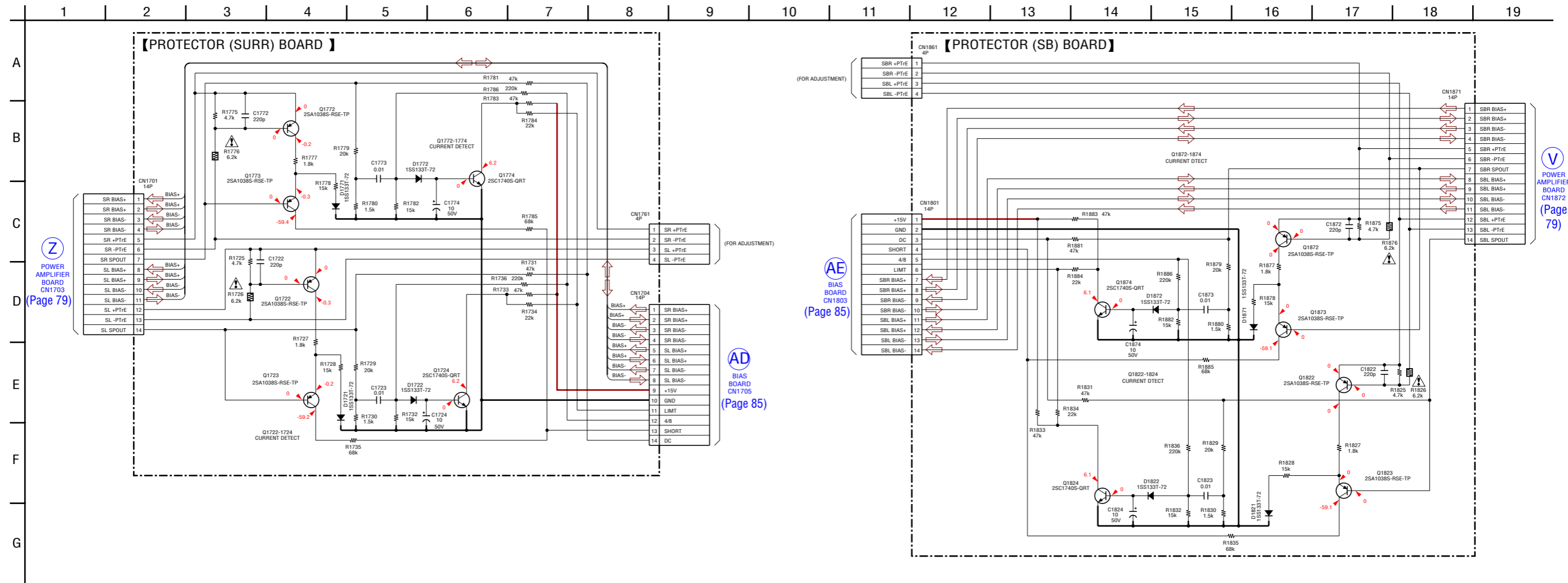
• Semiconductor Location


Ref. No.	Location
D1721	B-4
D1722	B-3
D1771	B-4
D1772	B-3
D1821	E-3
D1822	E-4
D1871	E-3
D1872	E-4
Q1722	A-3
Q1723	A-4
Q1724	B-3
Q1772	C-3
Q1773	C-4
Q1774	B-3
Q1822	F-4
Q1823	F-4
Q1824	E-4
Q1872	D-4
Q1873	D-4
Q1874	E-4

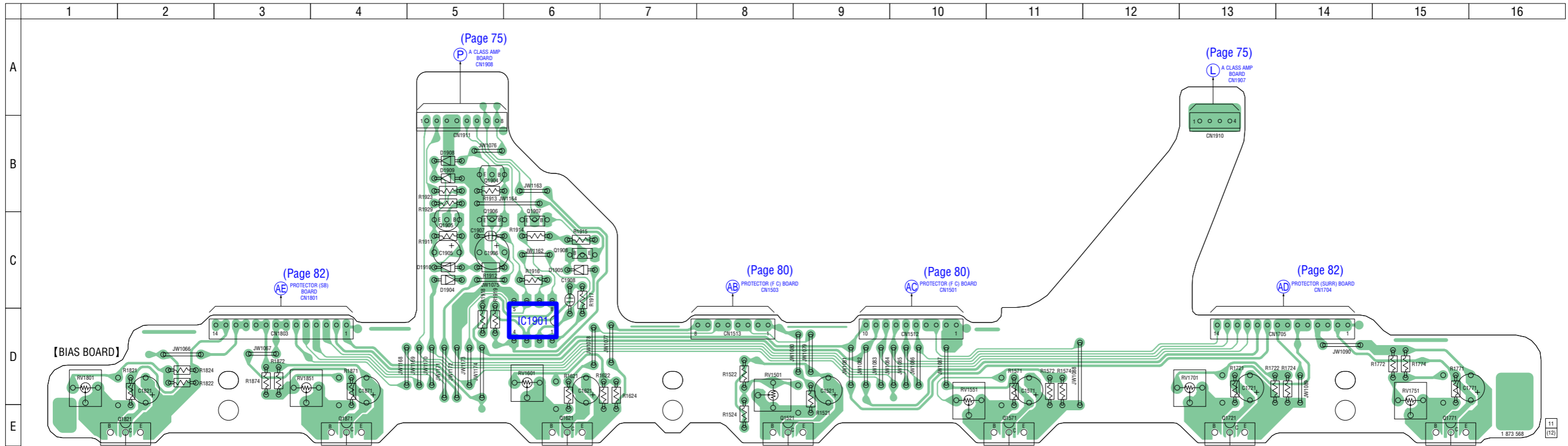
6-50. PRINTED WIRING BOARDS – PROTECTOR (SB/SURR) Section – • See page 45 for Circuit Boards Location.  : Uses unleaded solder.



6-51. SCHEMATIC DIAGRAM – PROTECTOR (SB/SURR) Section –



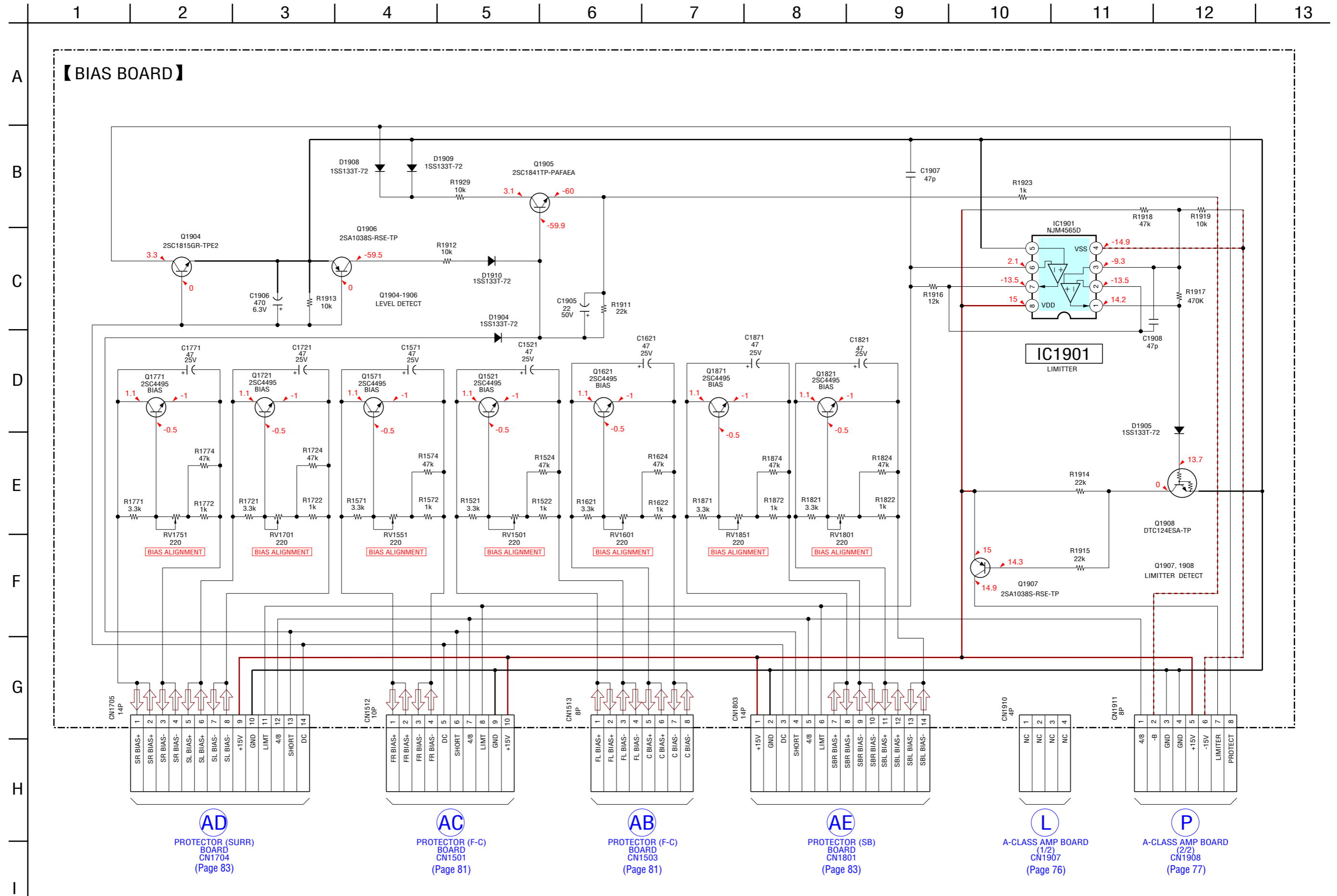
6-52. PRINTED WIRING BOARD – BIAS Board – • See page 45 for Circuit Boards Location.  : Uses unleaded solder.




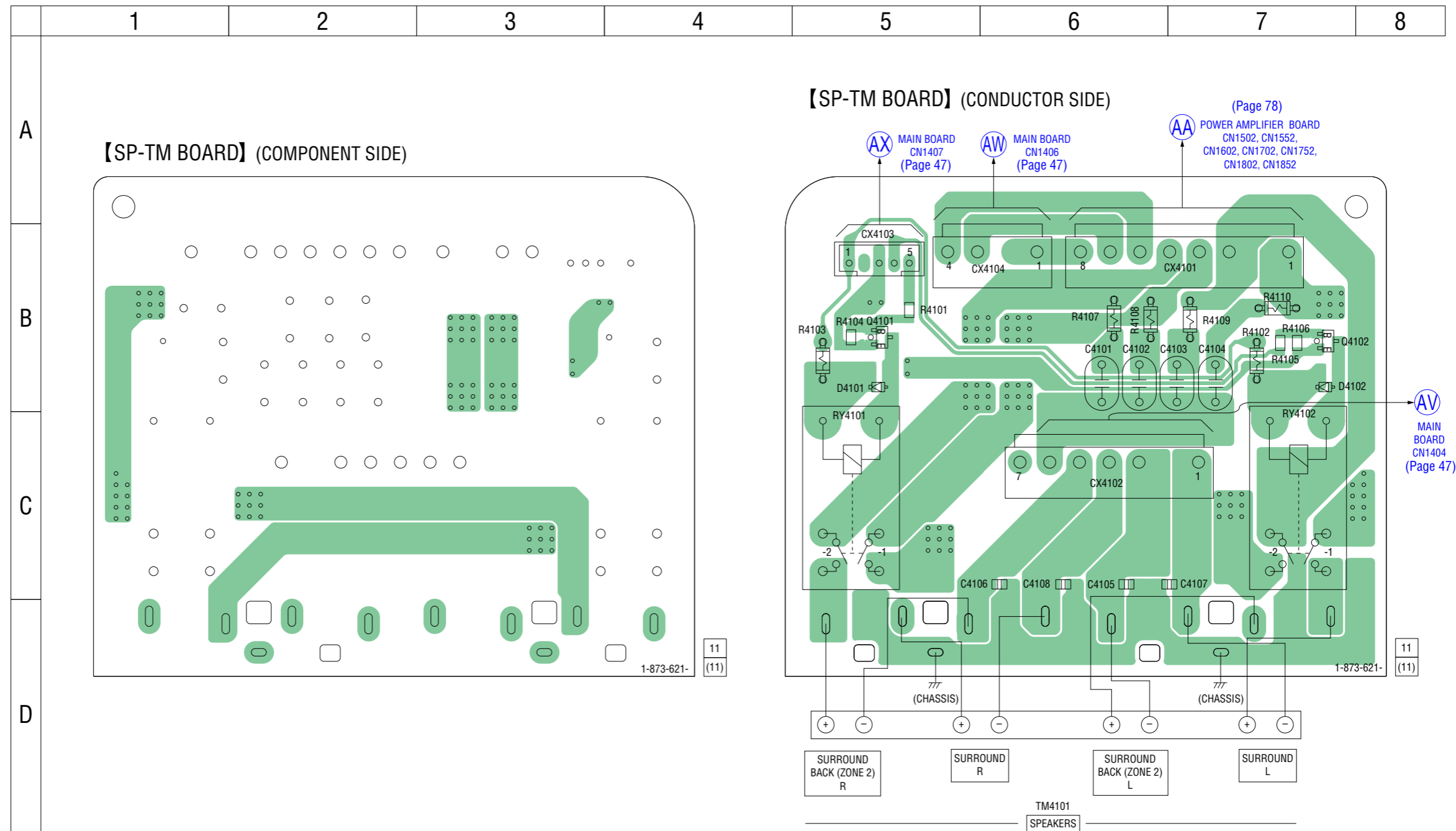
• Semiconductor Location

Ref. No.	Location
D1904	C-5
D1905	C-6
D1908	B-5
D1909	B-5
D1910	C-5
IC1901	D-6
Q1521	E-8
Q1571	E-11
Q1621	E-6
Q1721	E-13
Q1771	E-15
Q1821	E-2
Q1871	E-4
Q1904	B-5
Q1905	C-5
Q1906	C-5
Q1907	C-6
Q1908	C-6

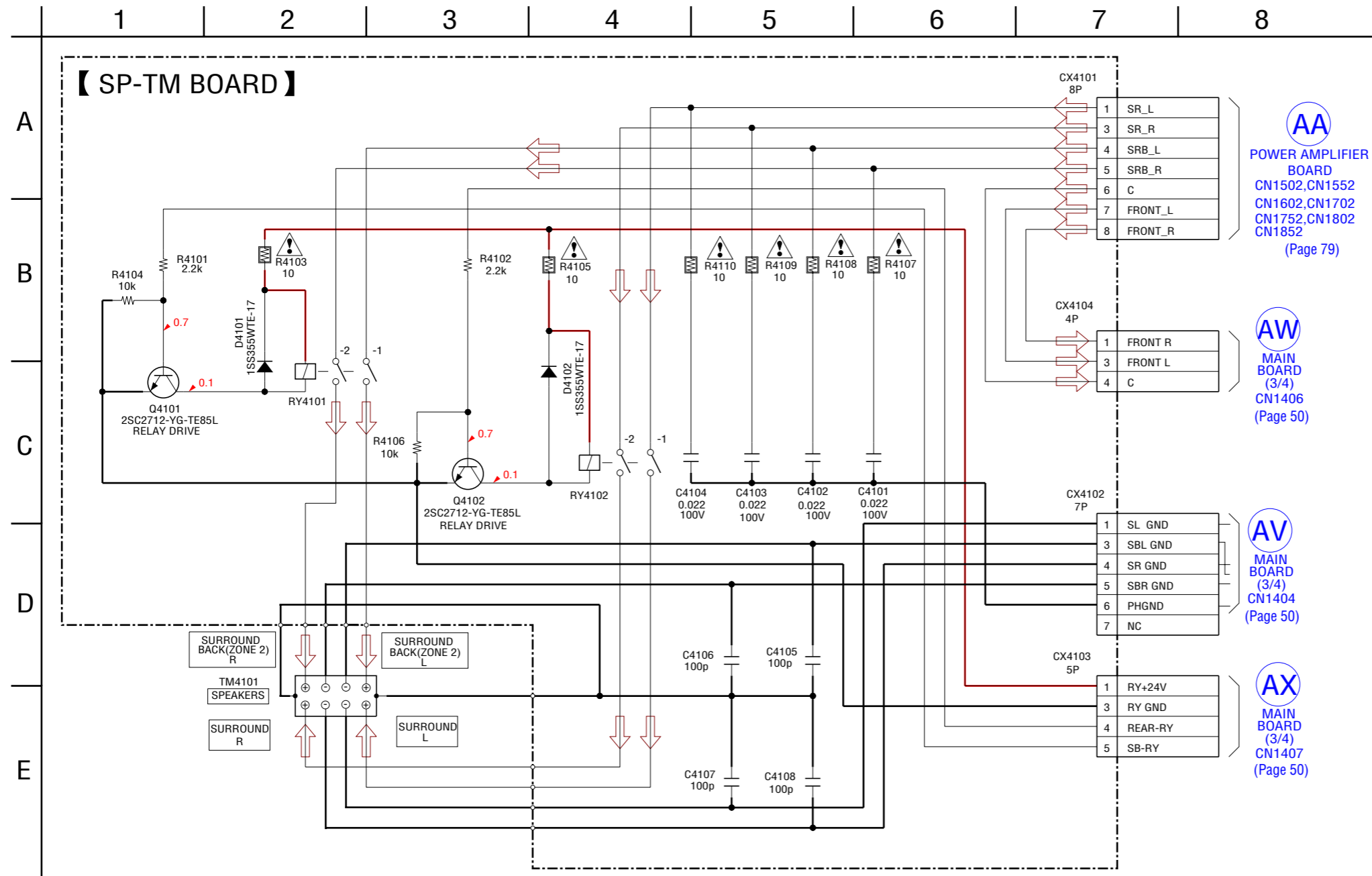
6-53. SCHEMATIC DIAGRAM – BIAS Board –



6-54. PRINTED WIRING BOARD – SP-TM Board – • See page 45 for Circuit Boards Location.  : Uses unleaded solder.

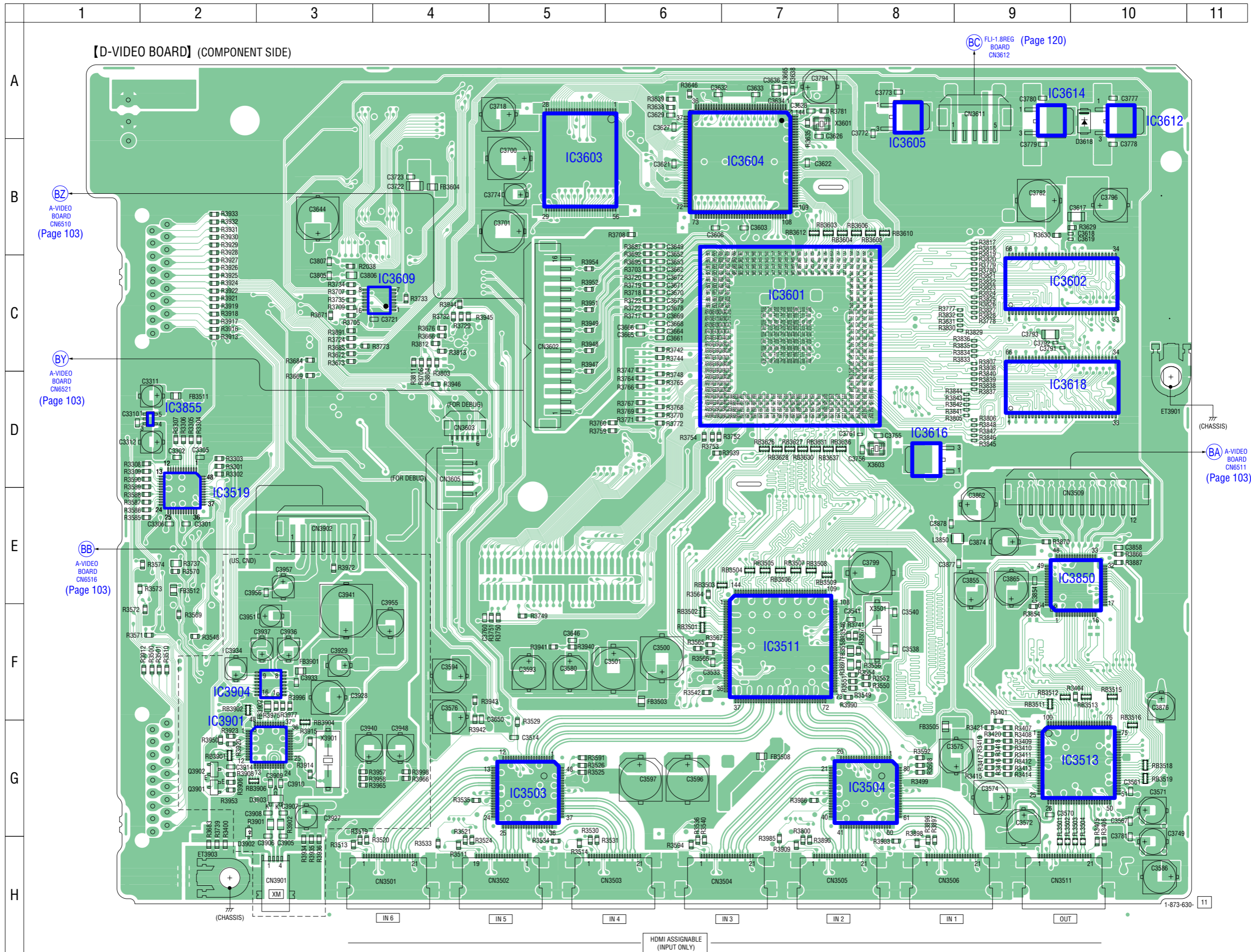


6-55. SCHEMATIC DIAGRAM – SP-TM Board –




• Semiconductor Location

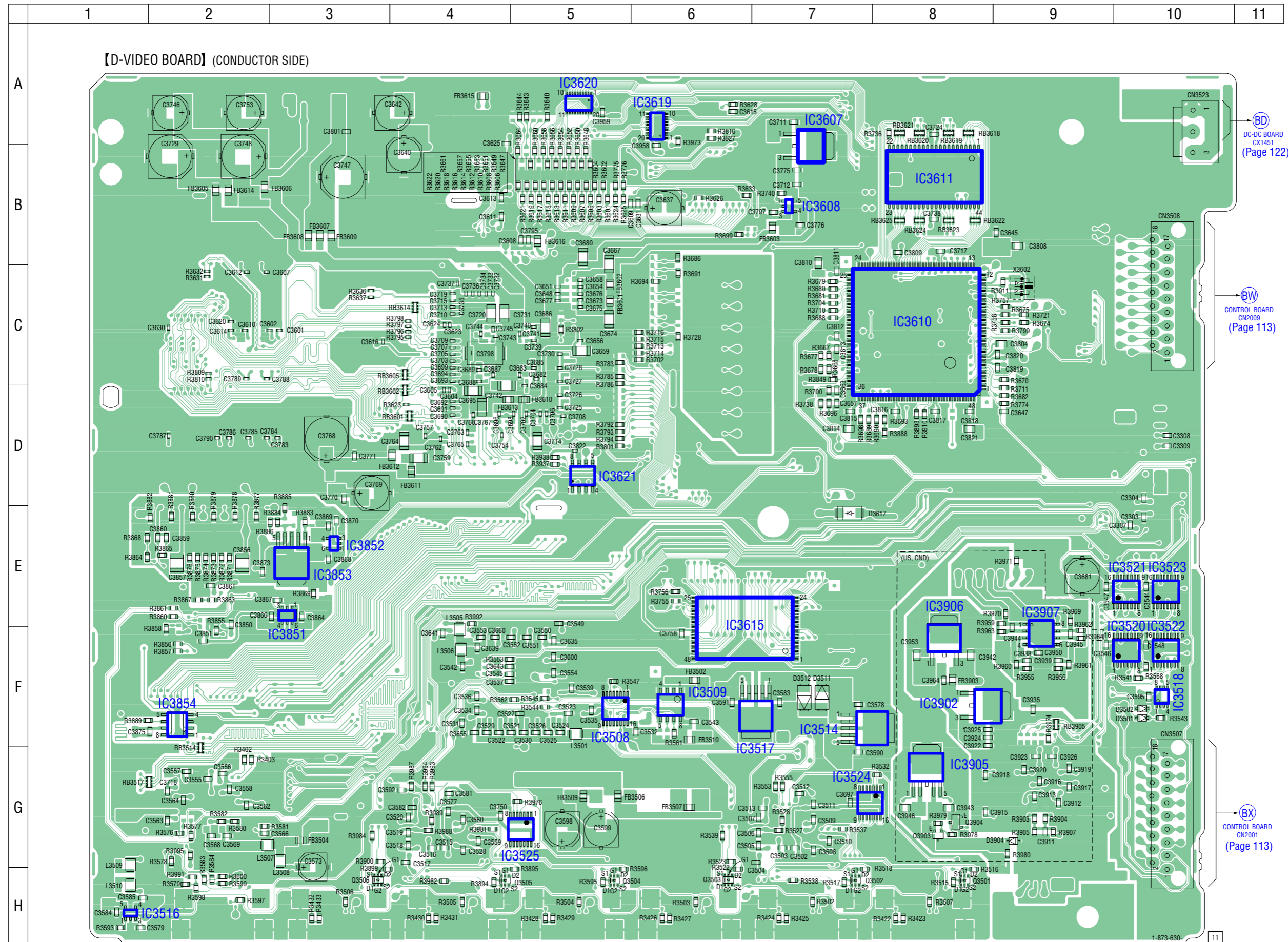
Ref. No.	Location
D3618	A-10
D3902	G-2
D3903	G-3
IC3503	G-5
IC3504	G-8
IC3511	F-7
IC3513	G-10
IC3519	E-2
IC3601	C-7
IC3602	C-9
IC3603	B-5
IC3604	B-7
IC3605	A-8
IC3609	C-4
IC3612	A-10
IC3614	A-9
IC3616	D-8
IC3618	D-9
IC3850	E-10
IC3855	D-2
IC3901	G-3
IC3904	F-3
Q3901	G-2
Q3902	G-2



**Note:** IC3511 and IC3513 cannot exchange with single. When IC3511 and IC3513 are damaged, exchange the entire mounted board.



6-57. PRINTED WIRING BOARD – D-VIDEO Board (Conductor Side) – • See page 45 for Circuit Boards Location.  : Uses unleaded solder.



• Semiconductor Location

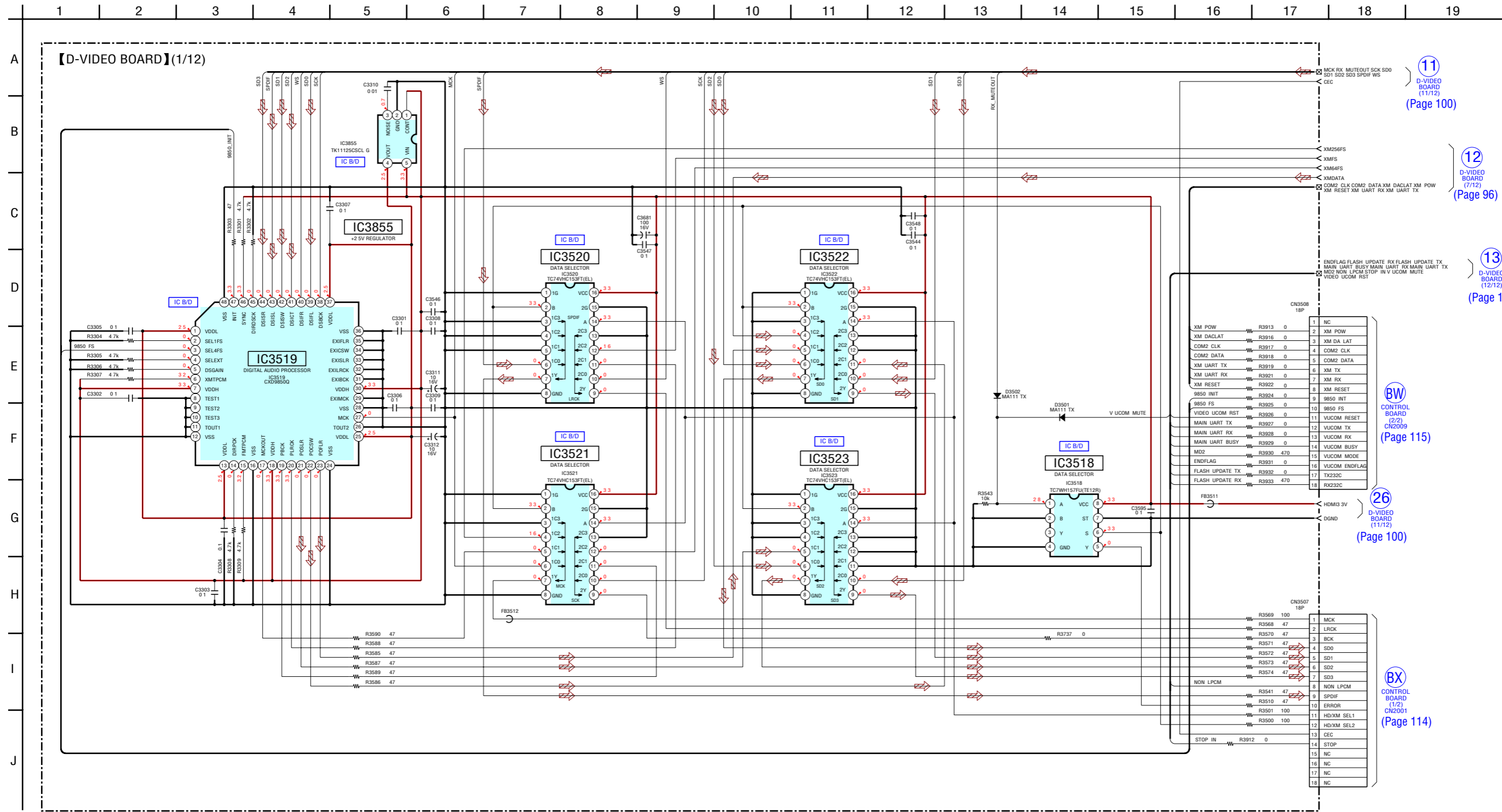
Ref. No.	Location
D3501	F-10
D3502	F-10
D3511	F-7
D3512	F-7
D3617	E-7
D3904	G-9
IC3508	F-5
IC3509	F-6
IC3514	F-7
IC3516	H-1
IC3517	F-7
IC3518	F-10
IC3520	F-10
IC3521	E-10
IC3522	F-10
IC3523	E-10
IC3524	G-7
IC3525	G-5
IC3607	B-7
IC3608	B-7
IC3610	C-8
IC3611	B-8
IC3615	E-6
IC3619	A-6
IC3620	A-5
IC3621	D-5
IC3851	E-3
IC3852	E-3
IC3853	E-3
IC3854	F-2
IC3902	F-8
IC3905	G-8
IC3906	F-8
IC3907	F-9
Q3501	H-8
Q3502	H-7
Q3503	H-6
Q3504	H-5
Q3505	H-4
Q3506	H-3
Q3903	G-8
Q3904	G-8

(BD) DC-DC BOARD CX1451 (Page 122)

(BW) CONTROL BOARD CN2009 (Page 113)

(BX) CONTROL BOARD CN2001 (Page 113)

6-58. SCHEMATIC DIAGRAM – D-VIDEO Board (1/12) – • See page 127 for IC Block Diagrams.



11 D-VIDEO BOARD (11/12) (Page 100)

12 D-VIDEO BOARD (7/12) (Page 96)

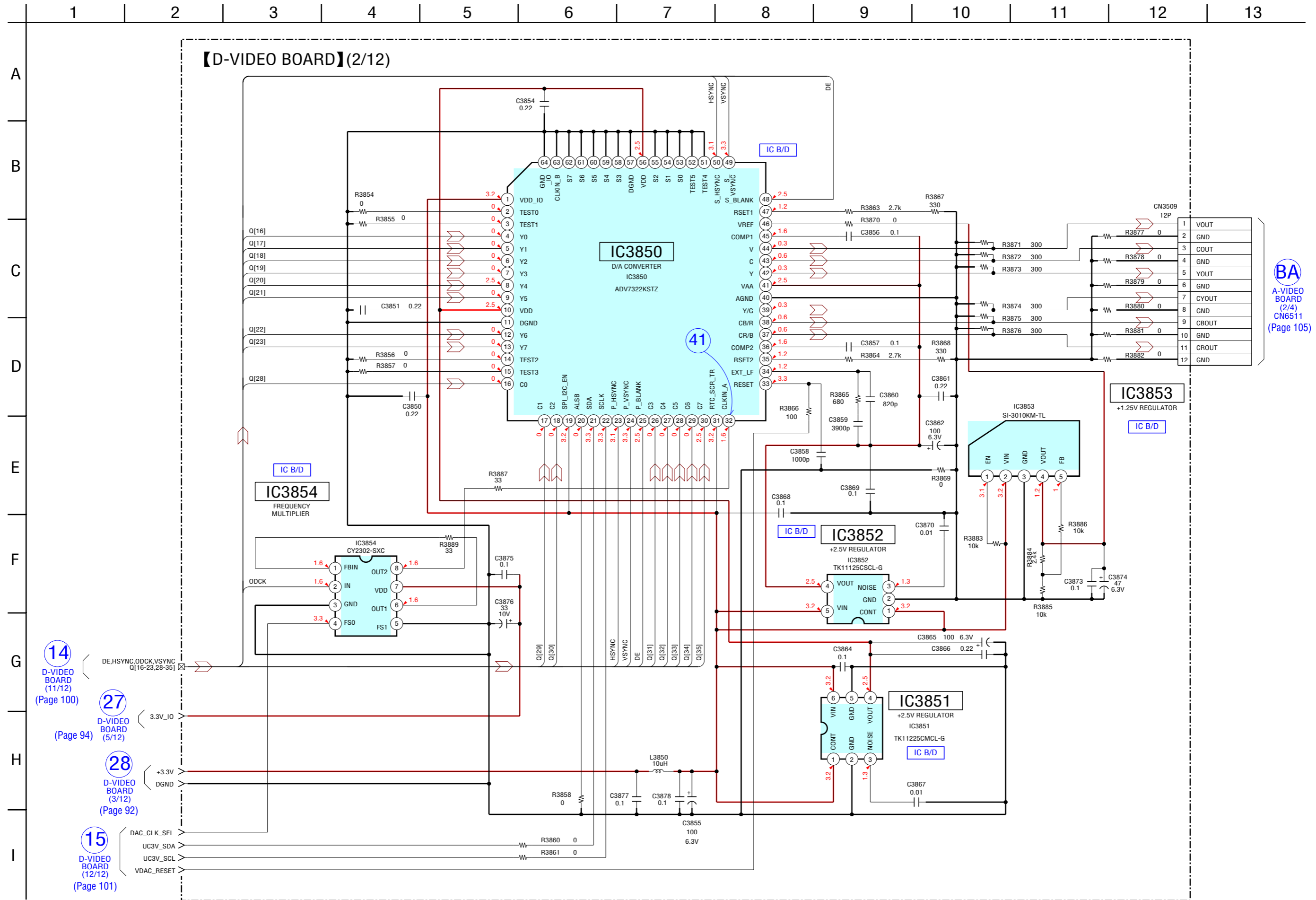
13 D-VIDEO BOARD (12/12) (Page 101)

BW CONTROL BOARD (2/2) CN2009 (Page 115)

26 D-VIDEO BOARD (11/12) (Page 100)

BX CONTROL BOARD (1/2) CN2001 (Page 114)

6-59. SCHEMATIC DIAGRAM – D-VIDEO Board (2/12) – • See page 126 for Waveforms. • See page 127 for IC Block Diagrams.



BA  
A-VIDEO BOARD (2/4)  
CN6511 (Page 105)

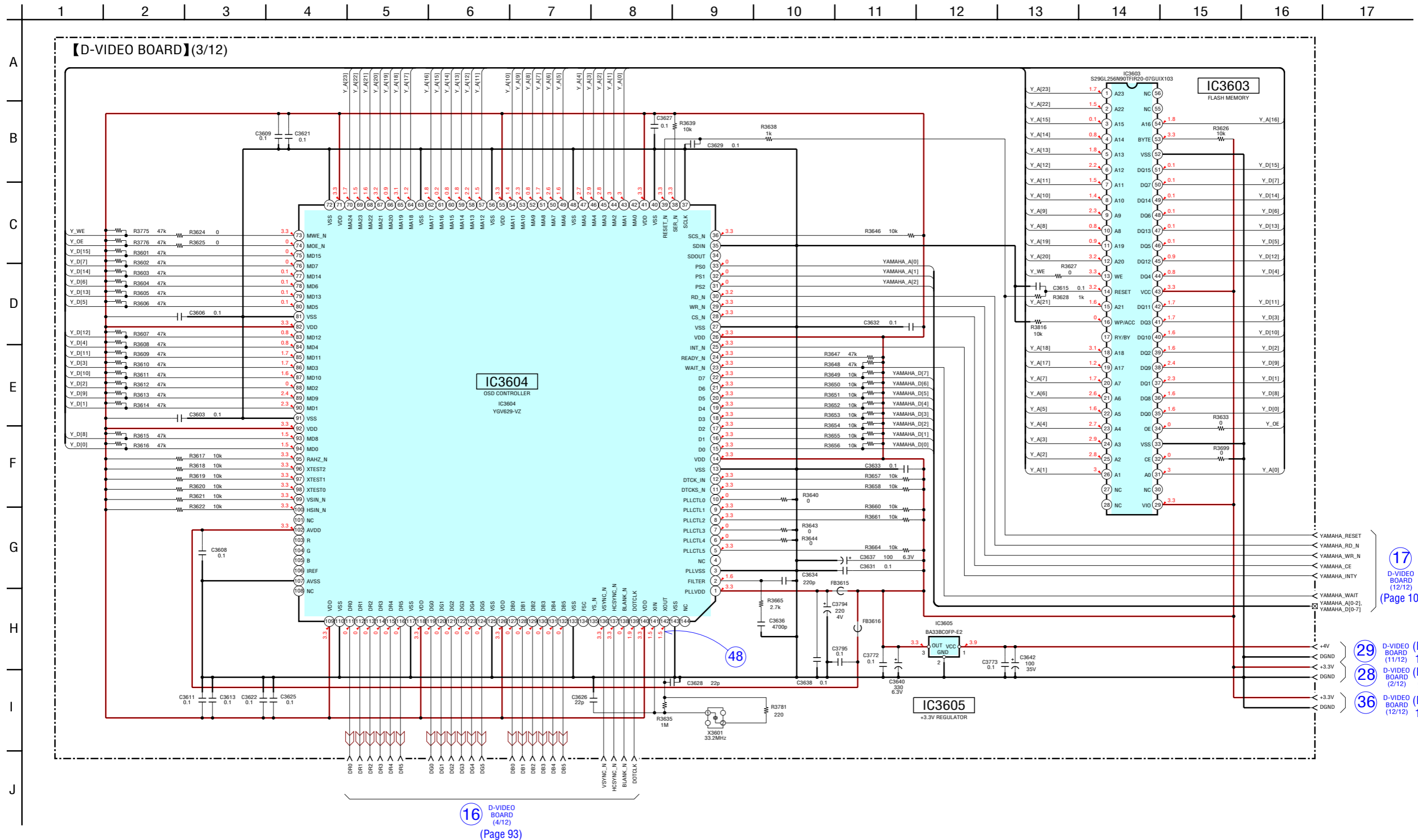
14 D-VIDEO BOARD (11/12) (Page 100)

27 D-VIDEO BOARD (5/12) (Page 94)

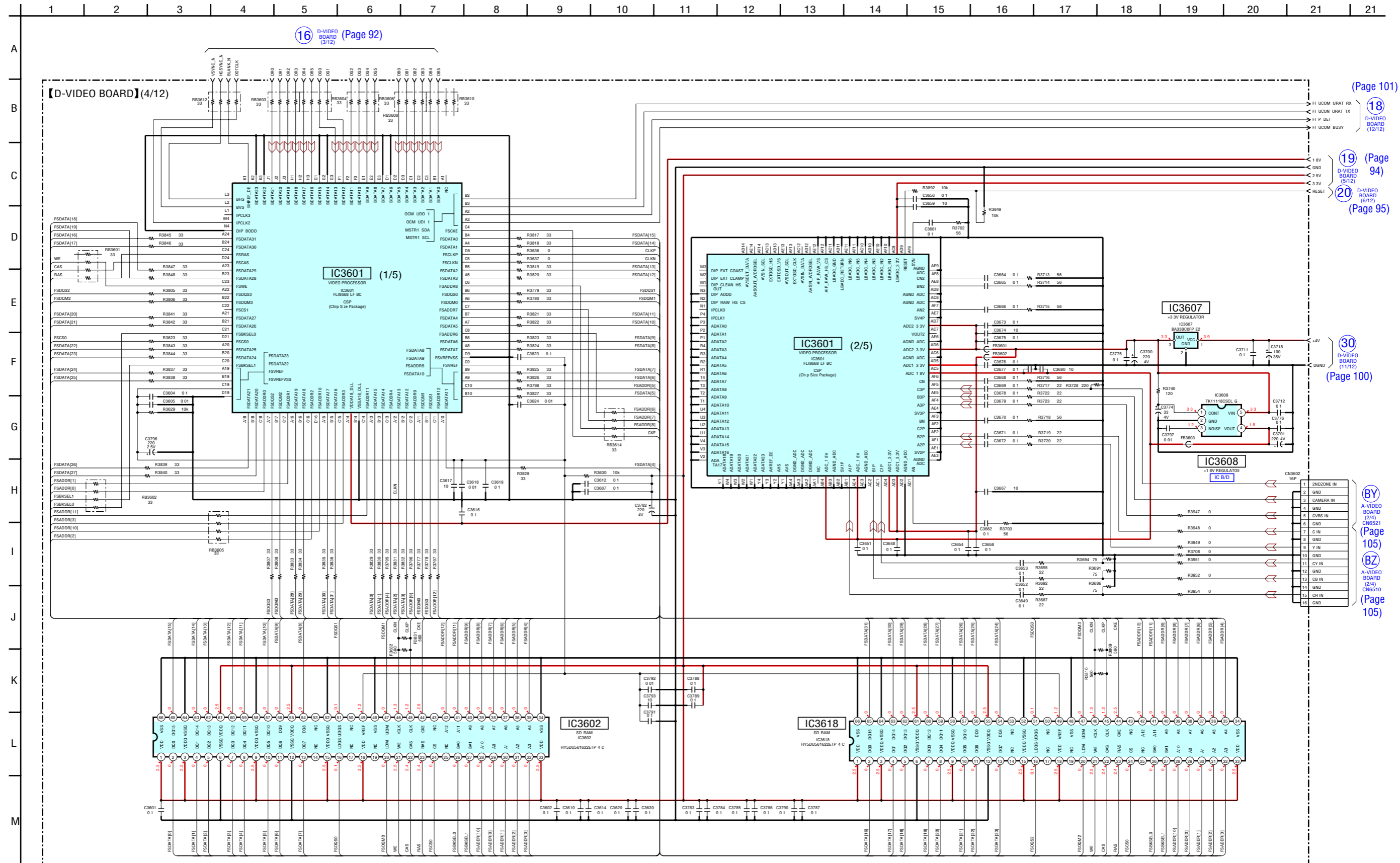
28 D-VIDEO BOARD (3/12) (Page 92)

15 D-VIDEO BOARD (12/12) (Page 101)

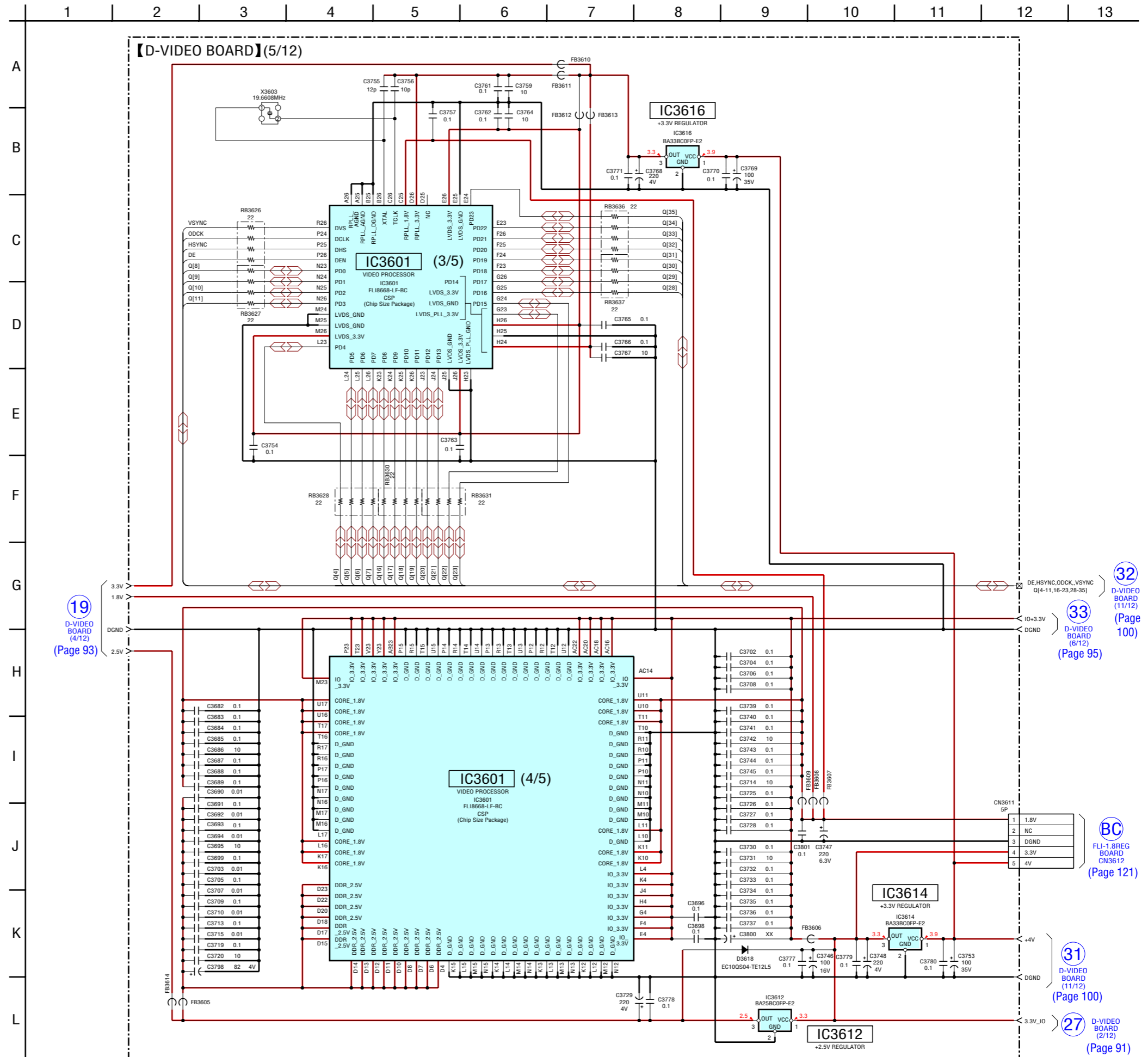
6-60. SCHEMATIC DIAGRAM – D-VIDEO Board (3/12) – • See page 126 for Waveforms. • See page 141 for IC Pin Function Description.



6-61. SCHEMATIC DIAGRAM – D-VIDEO Board (4/12) – • See page 127 for IC Block Diagrams. • See page 141 for IC Pin Function Description.



6-62. SCHEMATIC DIAGRAM – D-VIDEO Board (5/12) – • See page 141 for IC Pin Function Description.



19  
D-VIDEO BOARD (4/12)  
(Page 93)

32  
D-VIDEO BOARD (11/12)  
(Page 100)

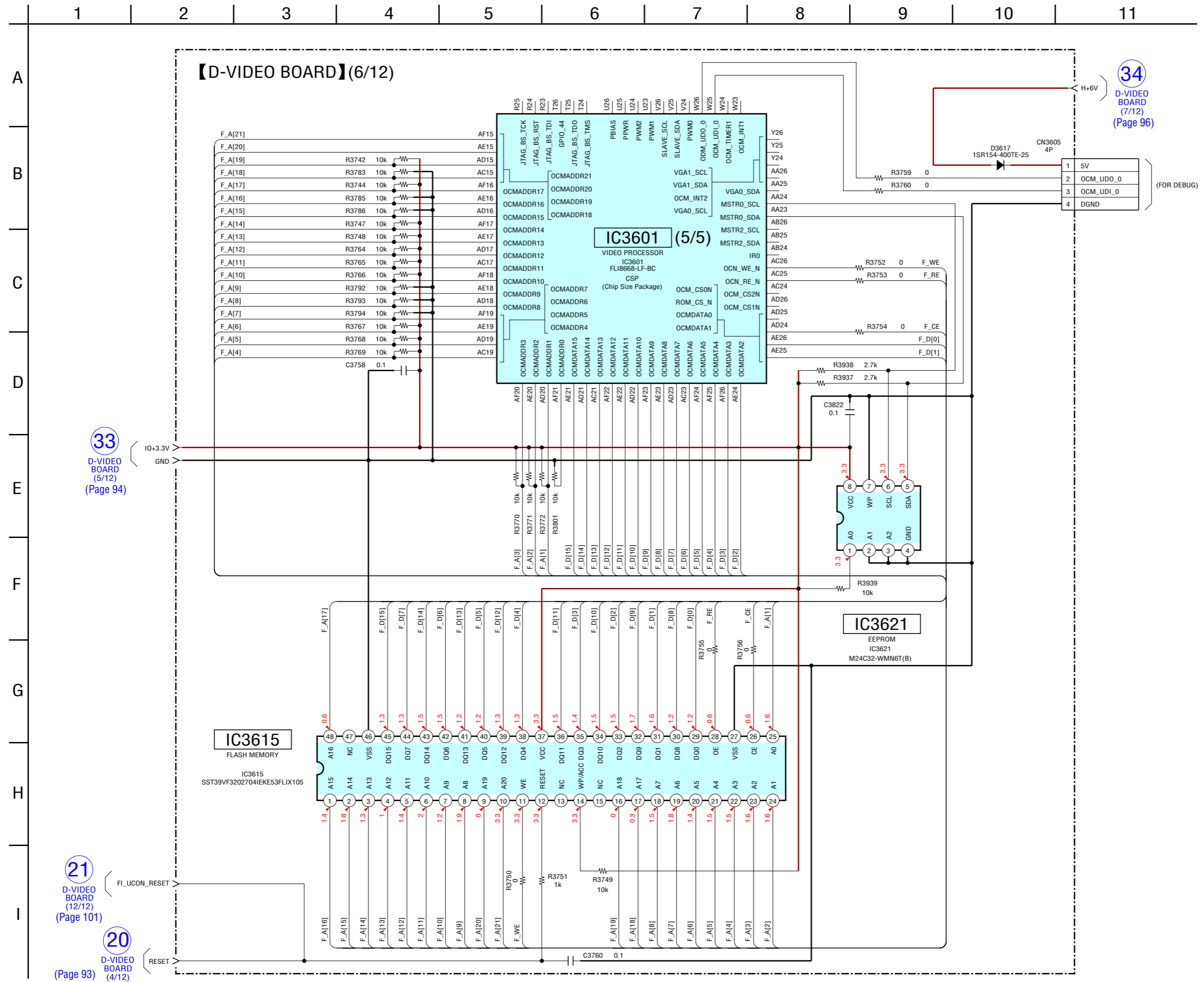
33  
D-VIDEO BOARD (6/12)  
(Page 95)

BC  
FLI-1.8REG BOARD CN3612  
(Page 121)

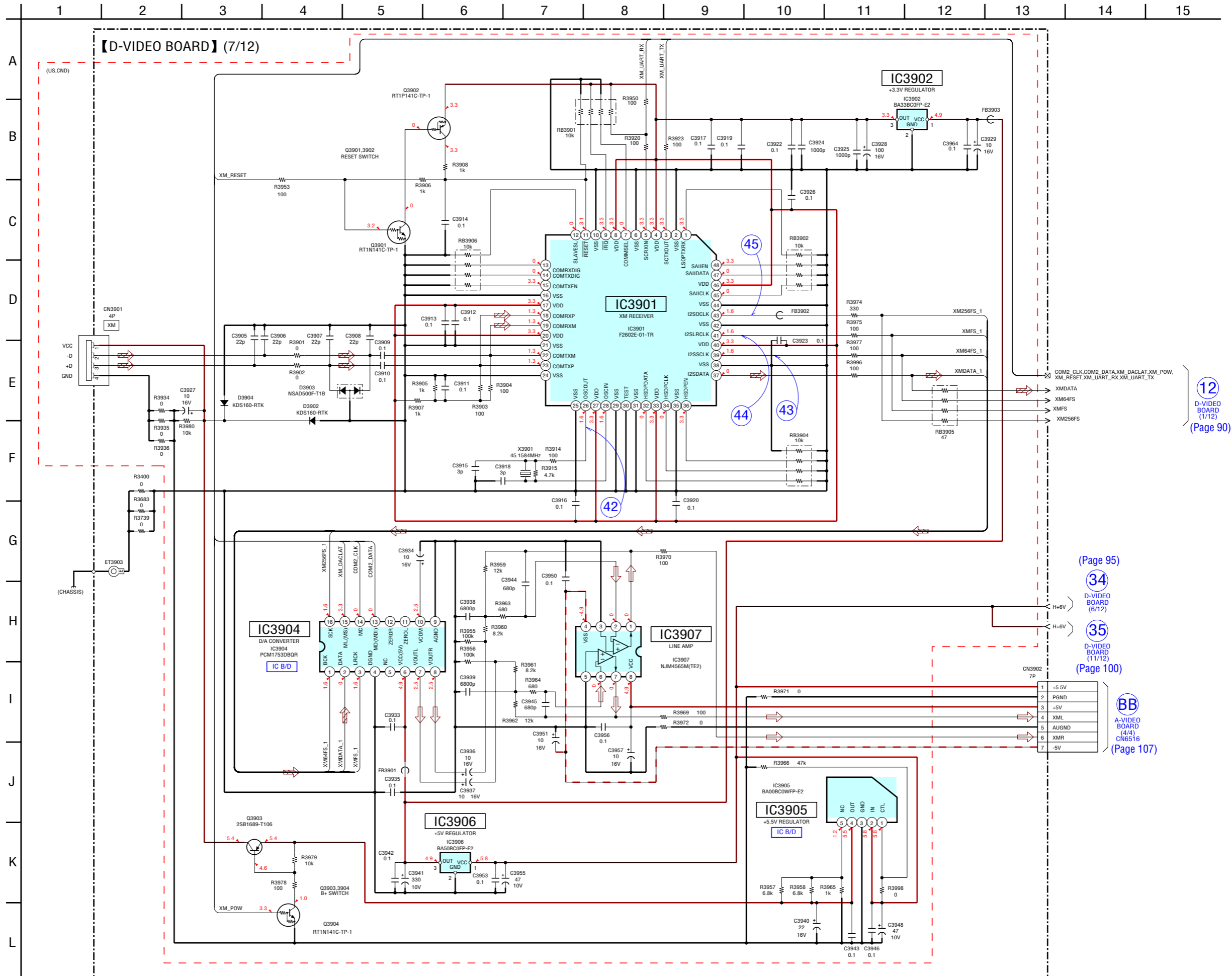
31  
D-VIDEO BOARD (11/12)  
(Page 100)

27  
D-VIDEO BOARD (2/12)  
(Page 91)

6-63. SCHEMATIC DIAGRAM – D-VIDEO Board (6/12) – • See page 141 for IC Pin Function Description.

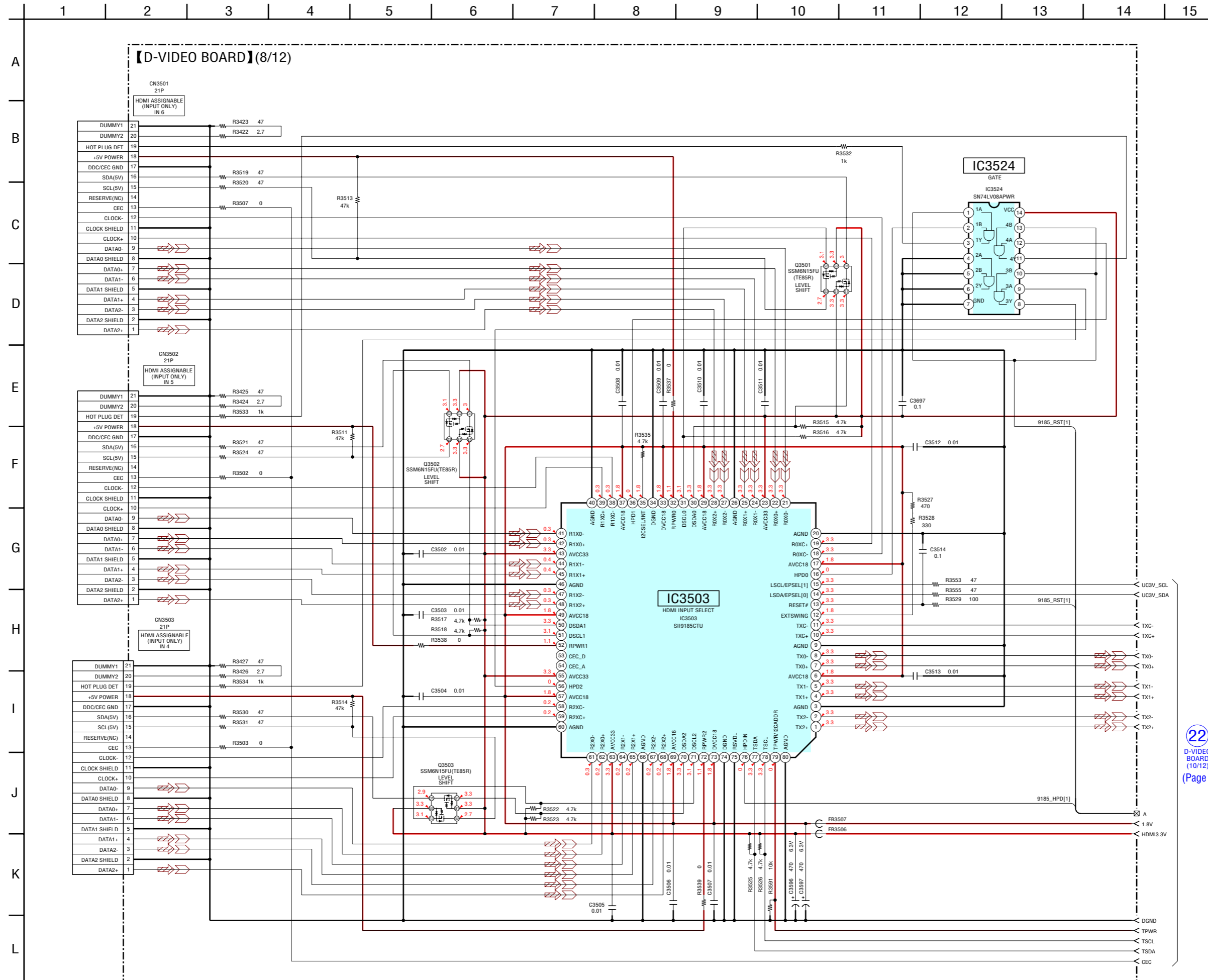


6-64. SCHEMATIC DIAGRAM – D-VIDEO Board (7/12) – • See page 126 for Waveforms. • See page 127 for IC Block Diagrams. • See page 141 for IC Pin Function Description.

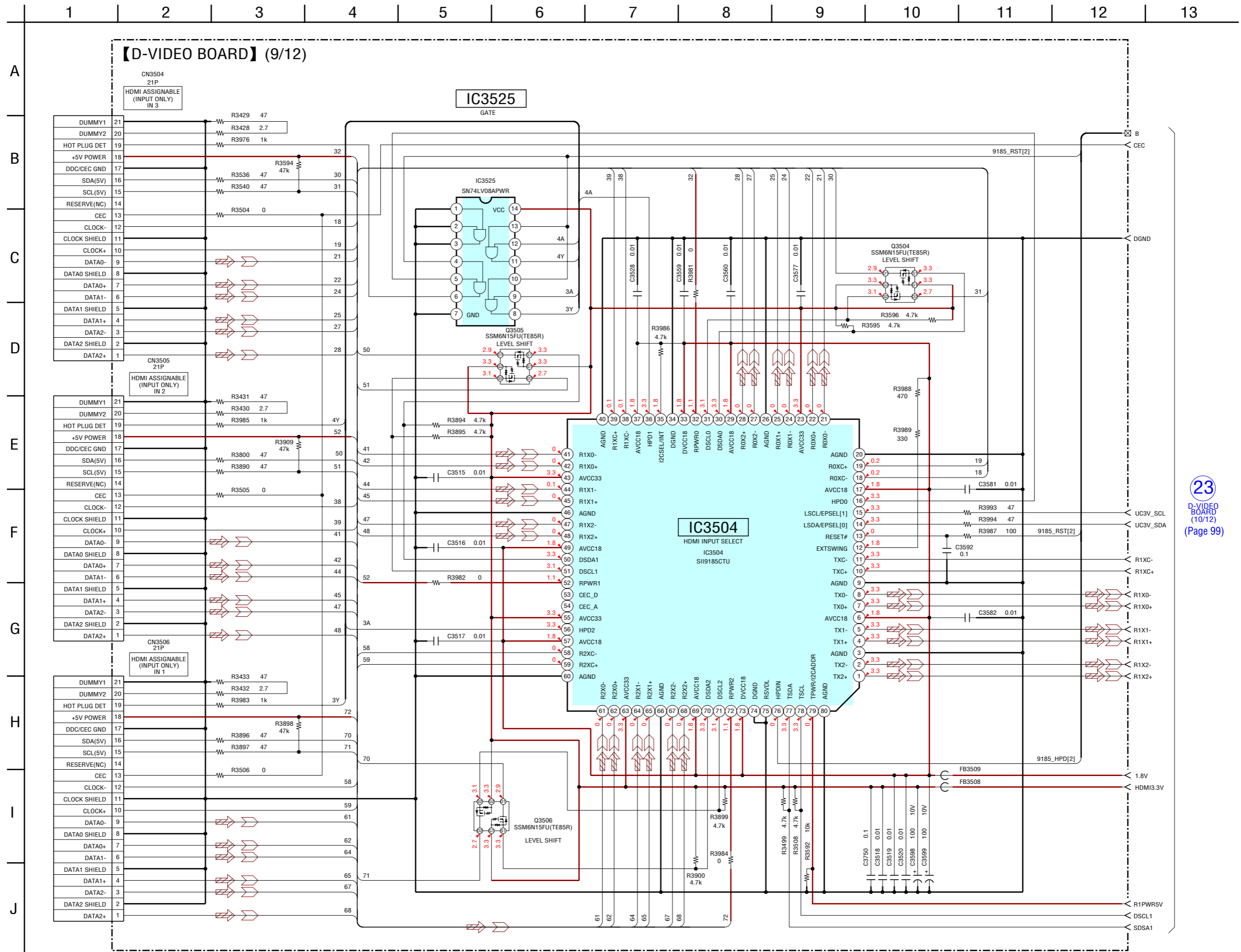




6-65. SCHEMATIC DIAGRAM – D-VIDEO Board (8/12) – See page 141 for IC Pin Function Description.

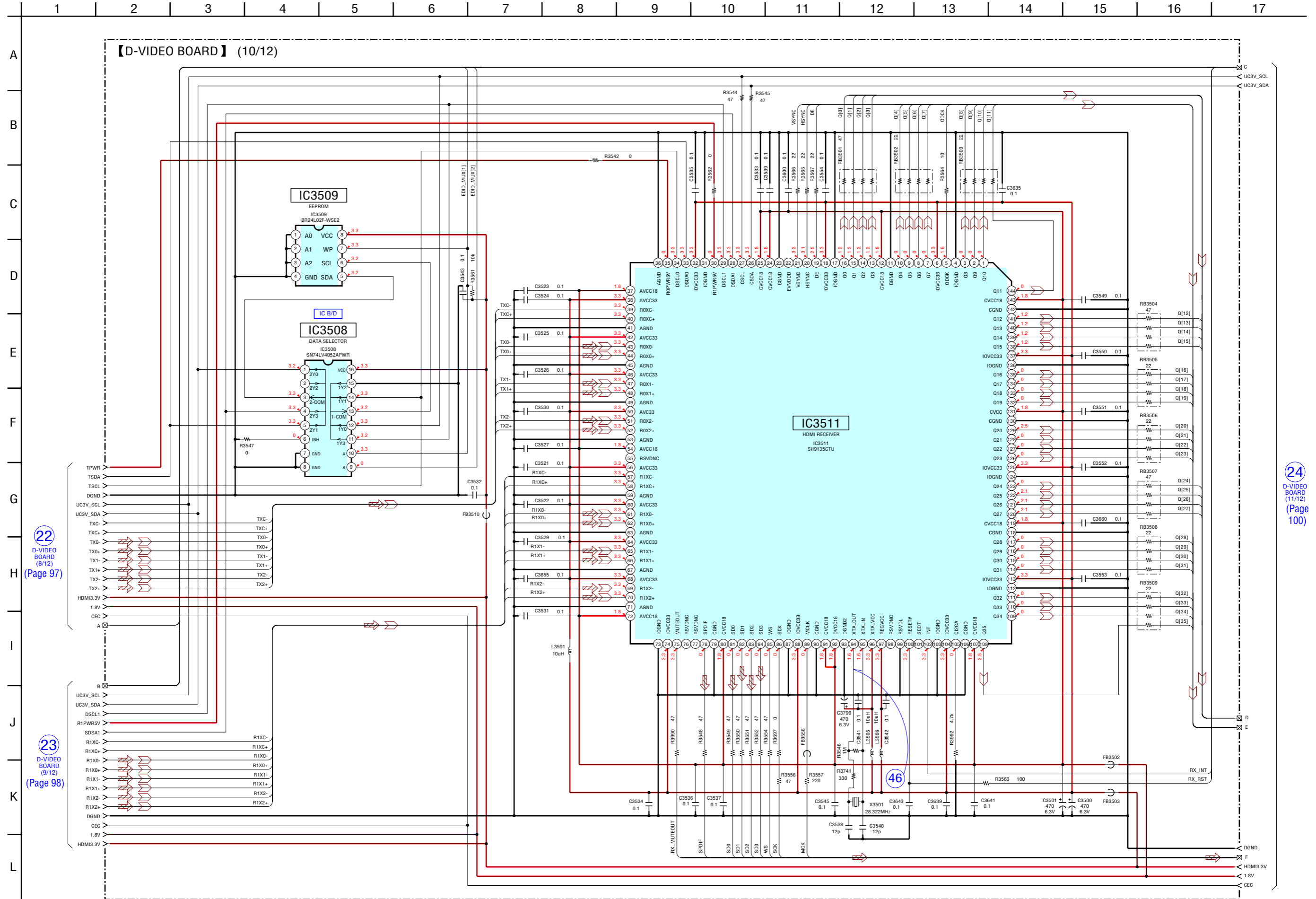


22 D-VIDEO BOARD (10/12) (Page 99)



23  
D-VIDEO BOARD (10/12)  
(Page 99)

6-67. SCHEMATIC DIAGRAM – D-VIDEO Board (10/12) – • See page 126 for Waveforms. • See page 127 for IC Block Diagrams. • See page 141 for IC Pin Function Description.



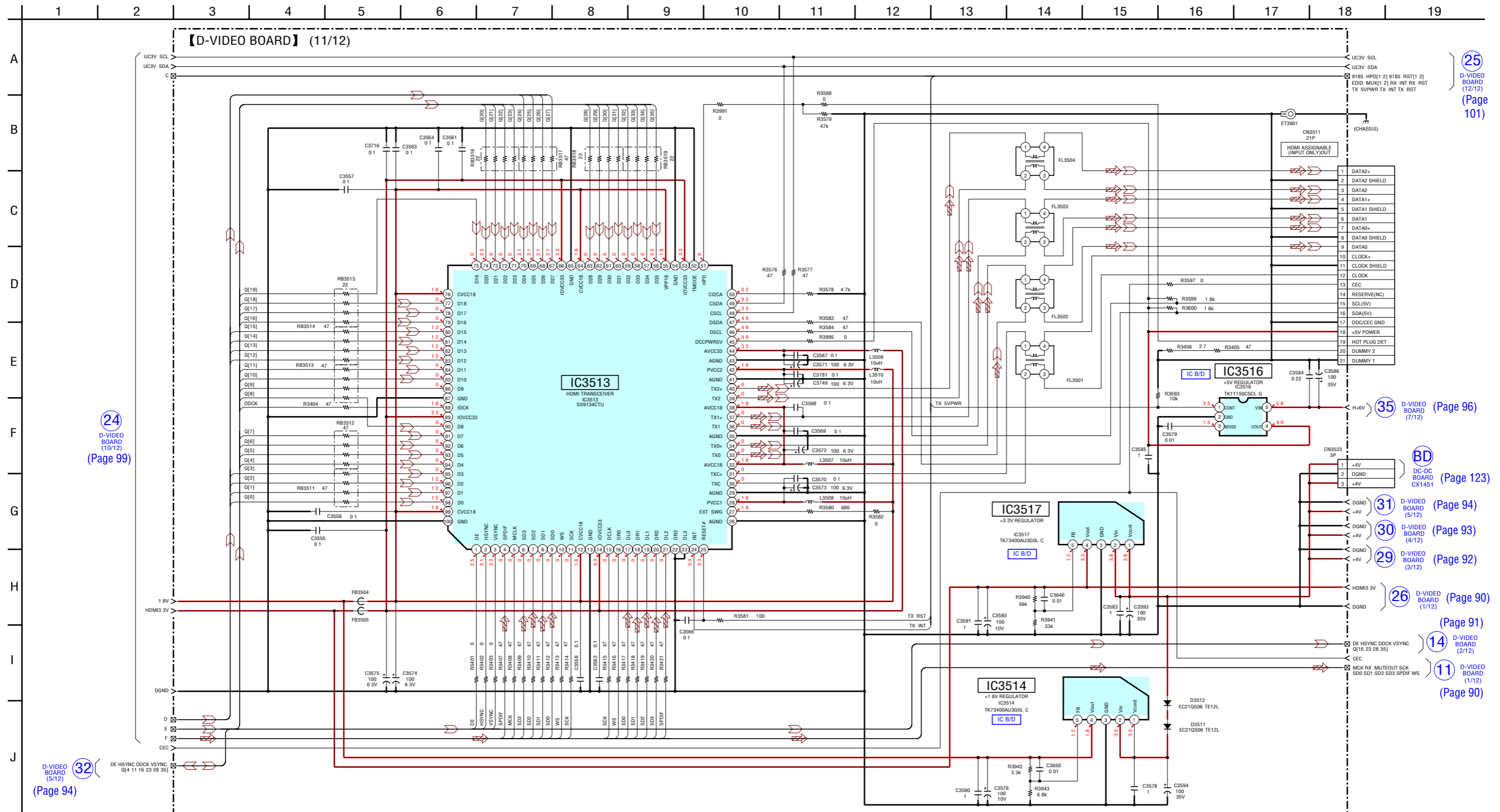
22  
D-VIDEO BOARD (8/12)  
(Page 97)

23  
D-VIDEO BOARD (9/12)  
(Page 98)

24  
D-VIDEO BOARD (11/12)  
(Page 100)

Note: IC3511 cannot exchange with single. When IC3511 is damaged, exchange the entire mounted board.

6-68. SCHEMATIC DIAGRAM – D-VIDEO Board (11/12) – • See page 127 for IC Block Diagrams. • See page 141 for IC Pin Function Description.



**Note:** IC3513 cannot exchange with single. When IC3513 is damaged, exchange the entire mounted board.

25 D-VIDEO BOARD (11/12) (Page 101)

24 D-VIDEO BOARD (10/12) (Page 99)

32 D-VIDEO BOARD (5/12) (Page 94)

35 D-VIDEO BOARD (7/12) (Page 96)

BD DC-DC BOARD CX1451 (Page 123)

31 D-VIDEO BOARD (5/12) (Page 94)

30 D-VIDEO BOARD (4/12) (Page 93)

29 D-VIDEO BOARD (3/12) (Page 92)

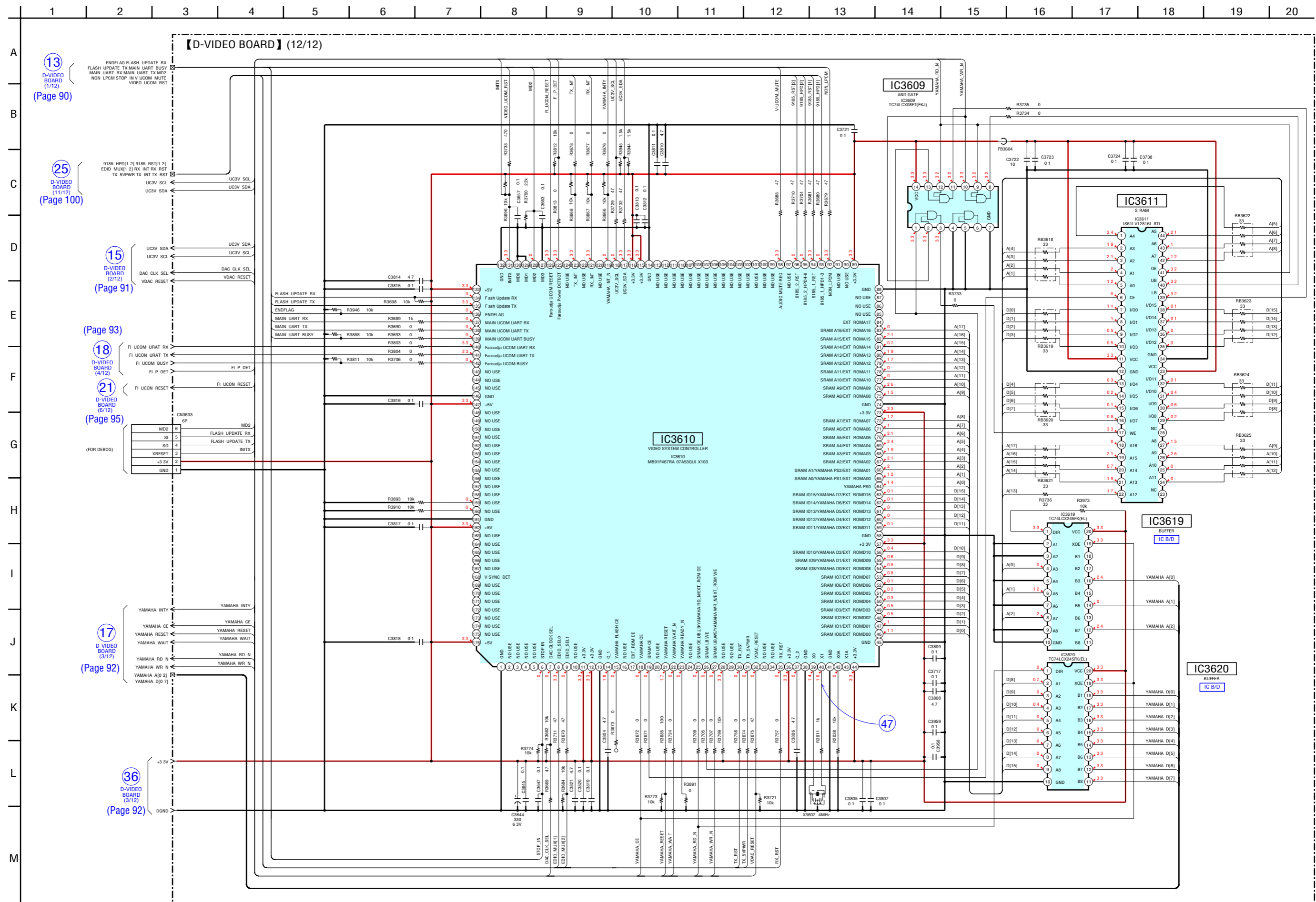
26 D-VIDEO BOARD (1/12) (Page 90)

(Page 91)

14 D-VIDEO BOARD (2/12)


11 D-VIDEO BOARD (1/12) (Page 90)

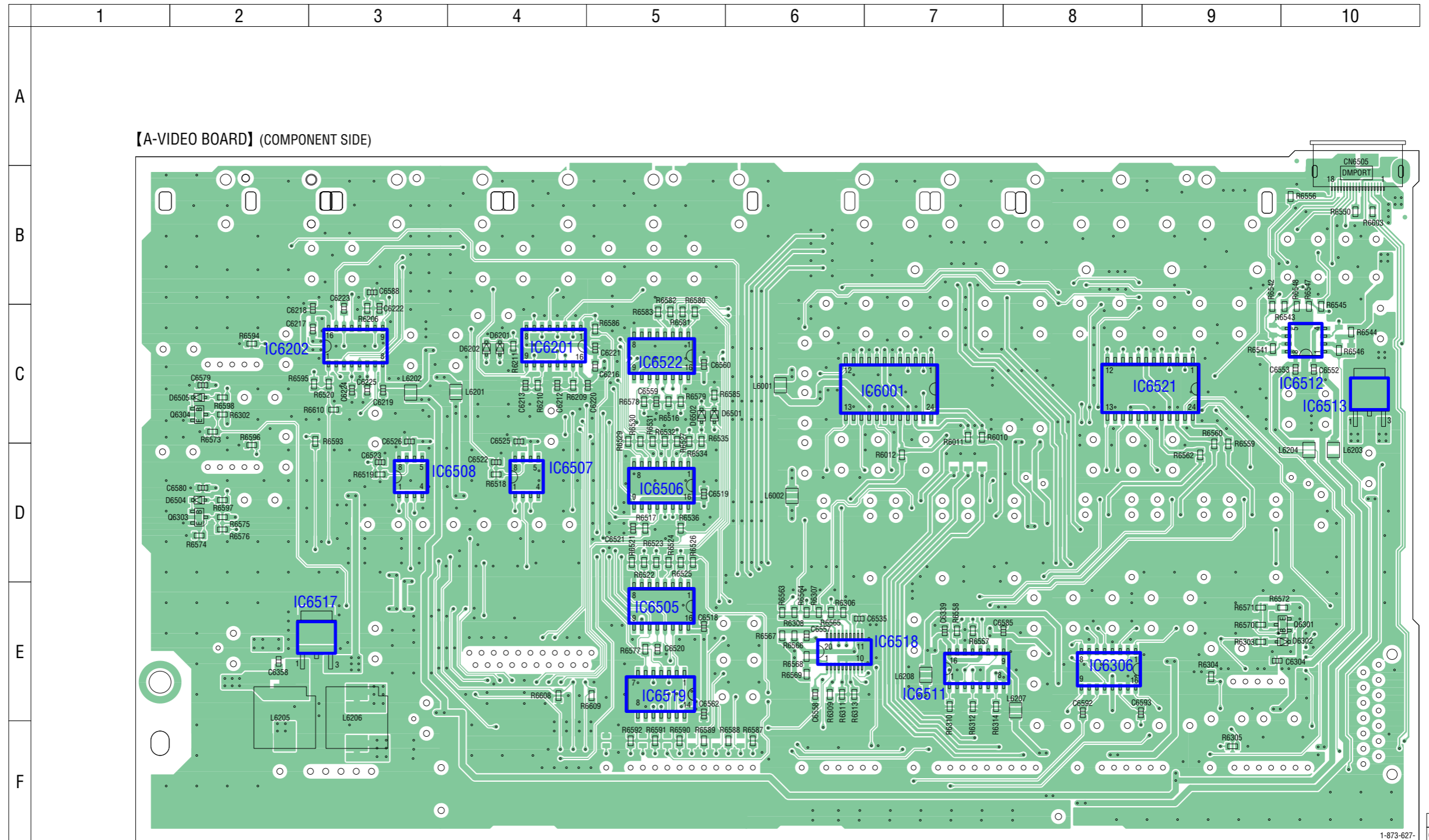
6-69. SCHEMATIC DIAGRAM – D-VIDEO Board (12/12) – • See page 126 for Waveforms. • See page 127 for IC Block Diagrams. • See page 141 for IC Pin Function Description.




• Semiconductor Location

Ref. No.	Location
D6201	C-4
D6202	C-4
D6302	E-10
D6501	C-5
D6502	C-5
D6504	D-2
D6505	C-2
IC6001	C-7
IC6201	C-4
IC6202	C-3
IC6306	E-8
IC6505	E-5
IC6506	D-5
IC6507	D-4
IC6508	D-3
IC6511	E-7
IC6512	C-10
IC6513	C-10
IC6517	E-3
IC6518	E-6
IC6519	E-5
IC6521	C-9
IC6522	C-5
Q6301	E-10
Q6303	D-2
Q6304	C-2

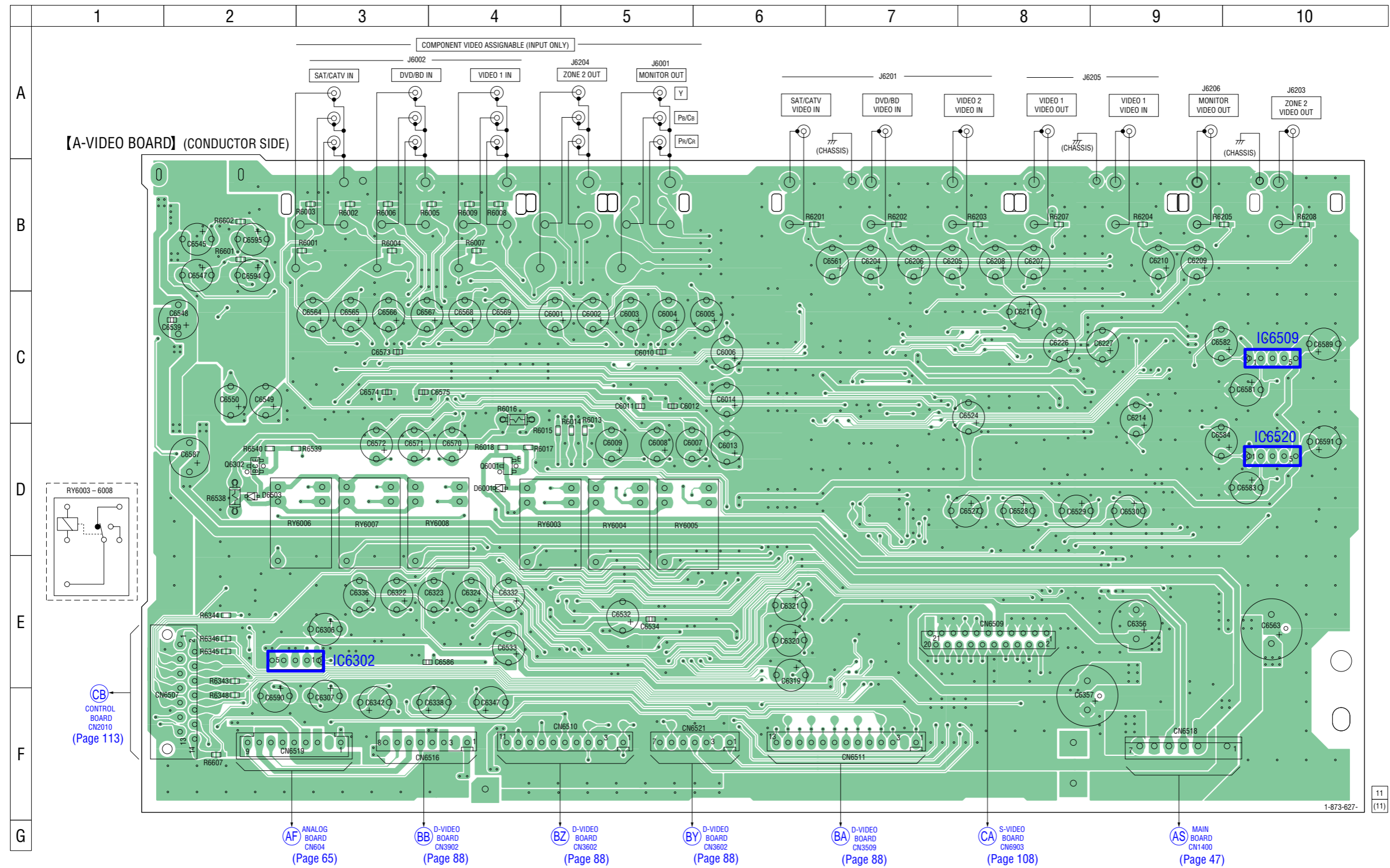
6-70. PRINTED WIRING BOARD – A-VIDEO Board (Component Side) – • See page 45 for Circuit Boards Location.  : Uses unleaded solder.

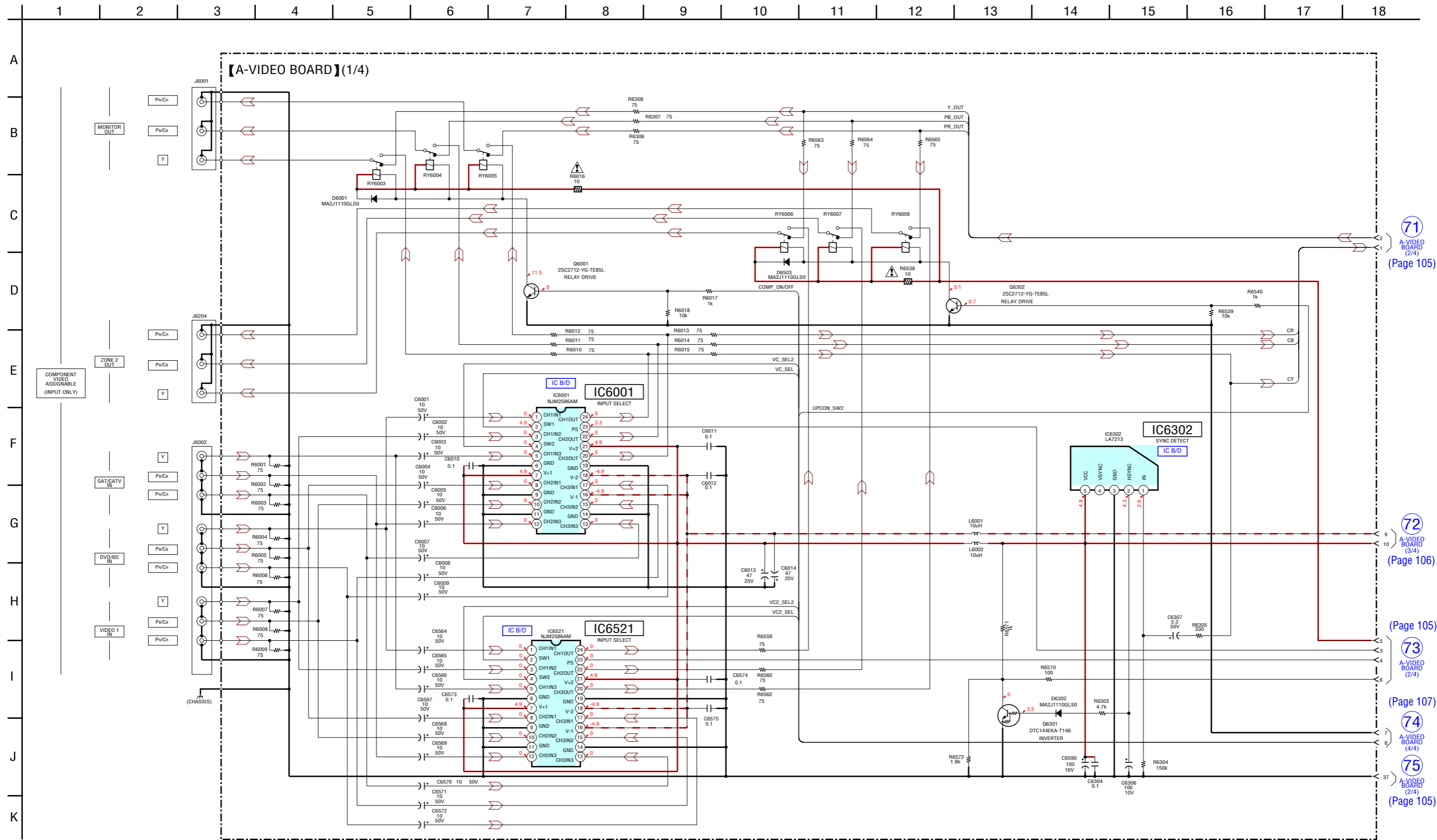


6-71. PRINTED WIRING BOARD – A-VIDEO Board (Conductor Side) – • See page 45 for Circuit Boards Location.  : Uses unleaded solder.

• Semiconductor Location

Ref. No.	Location
D6001	D-4
D6503	D-2
IC6302	E-2
IC6509	C-10
IC6520	D-10
Q6001	D-4
Q6302	D-2





71  
A-VIDEO BOARD (2/4)  
(Page 105)

72  
A-VIDEO BOARD (3/4)  
(Page 106)

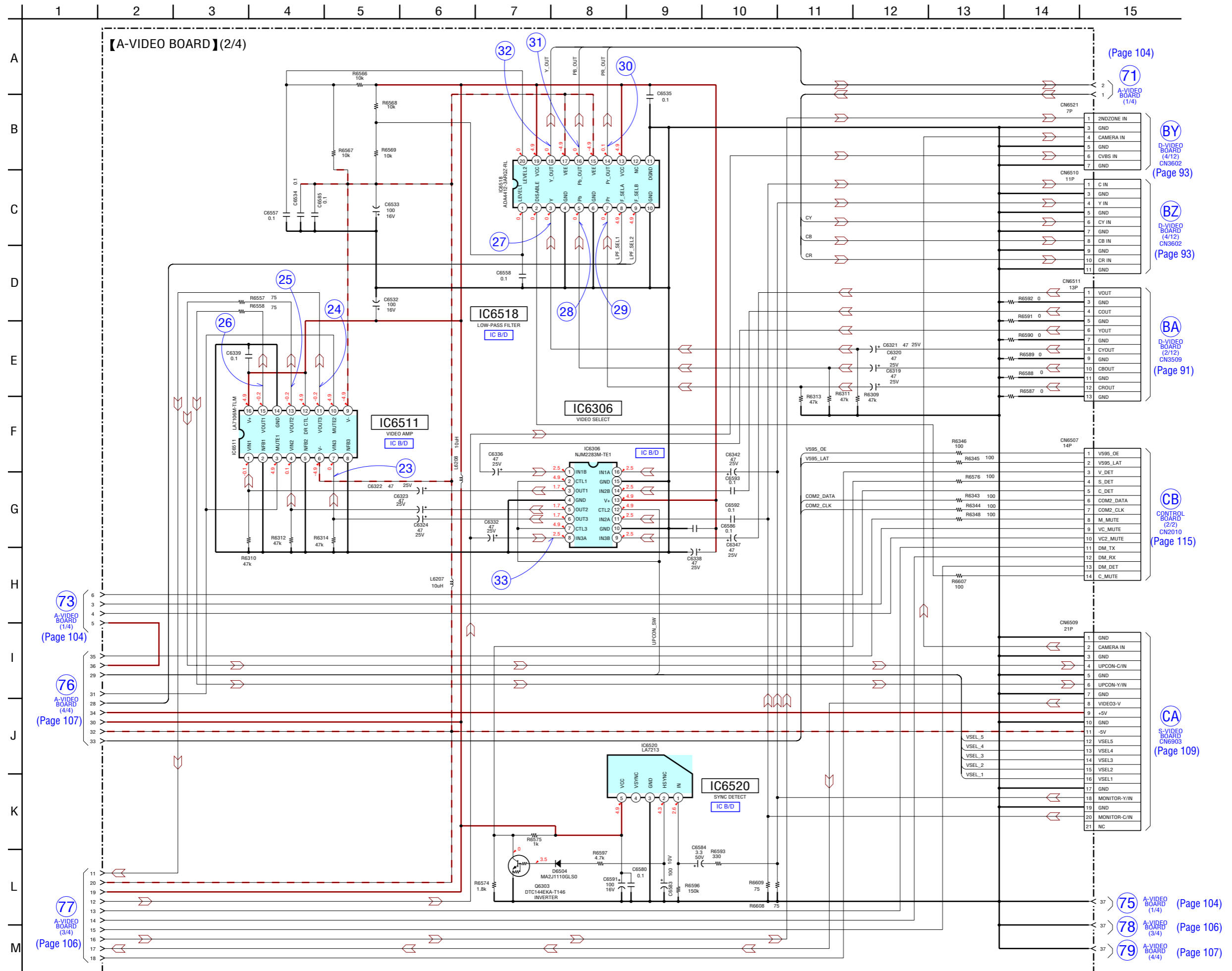
(Page 105)  
73  
A-VIDEO BOARD (2/4)  
(Page 107)

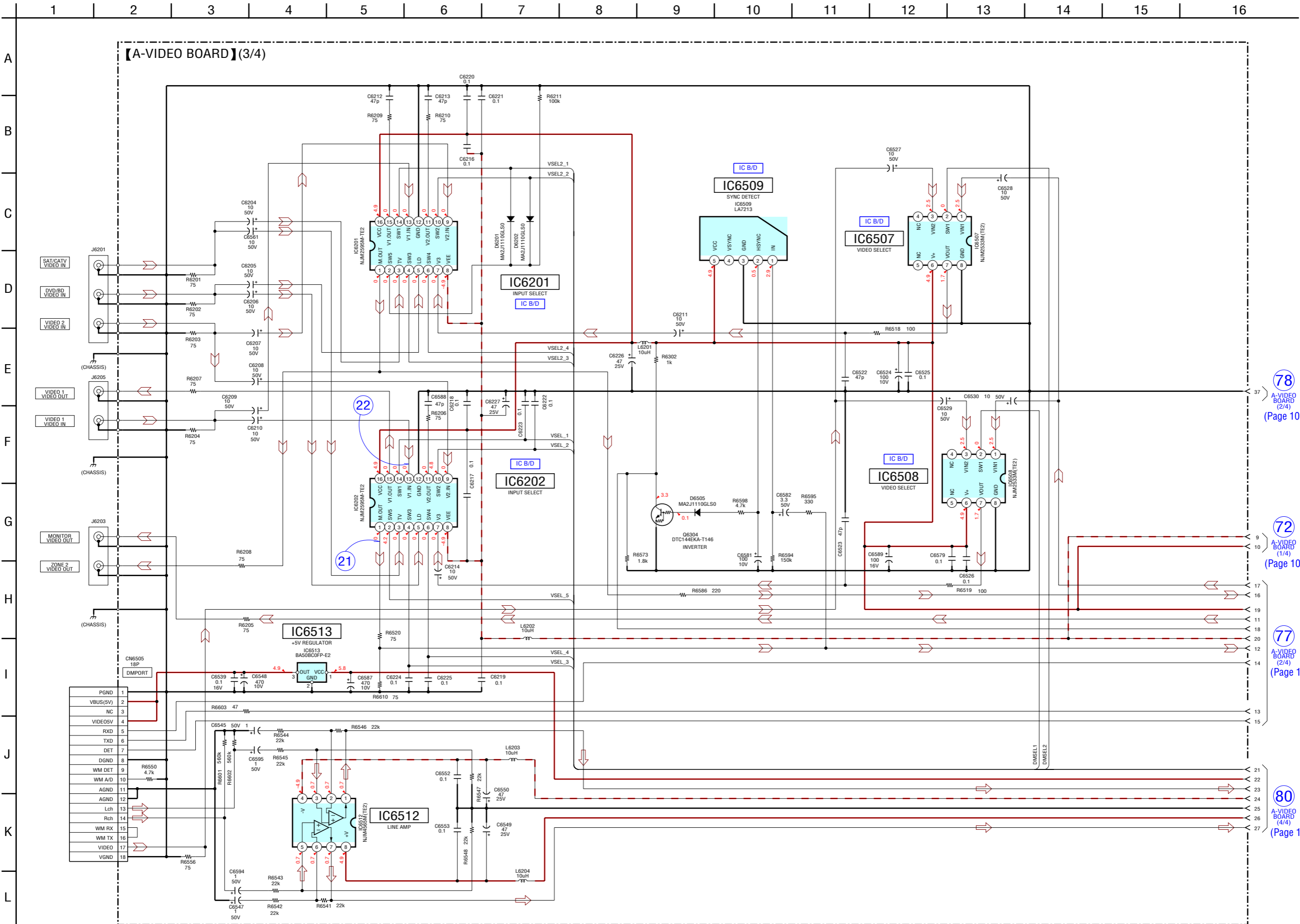
74  
A-VIDEO BOARD (4/4)

75  
A-VIDEO BOARD (2/4)  
(Page 105)

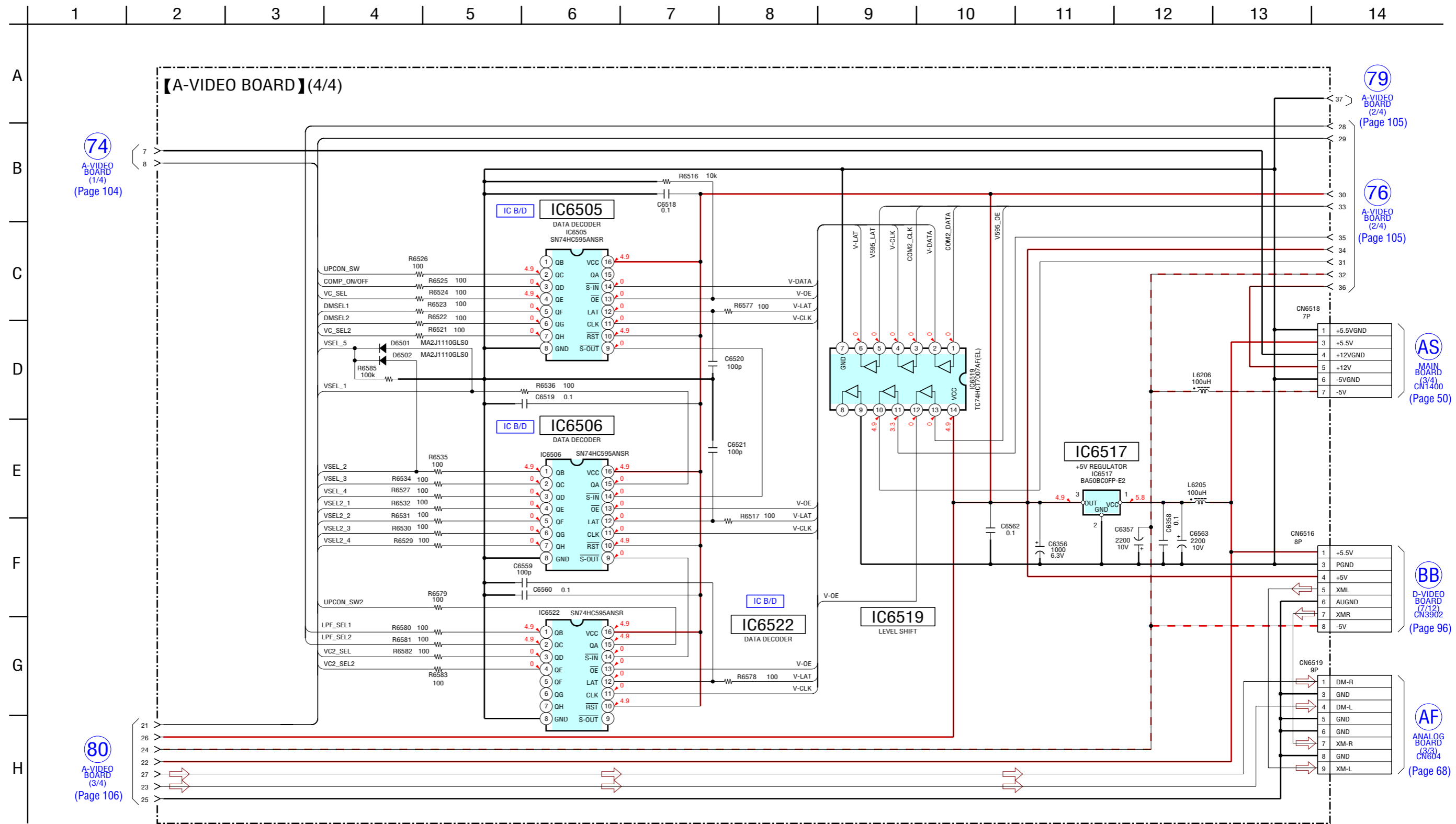


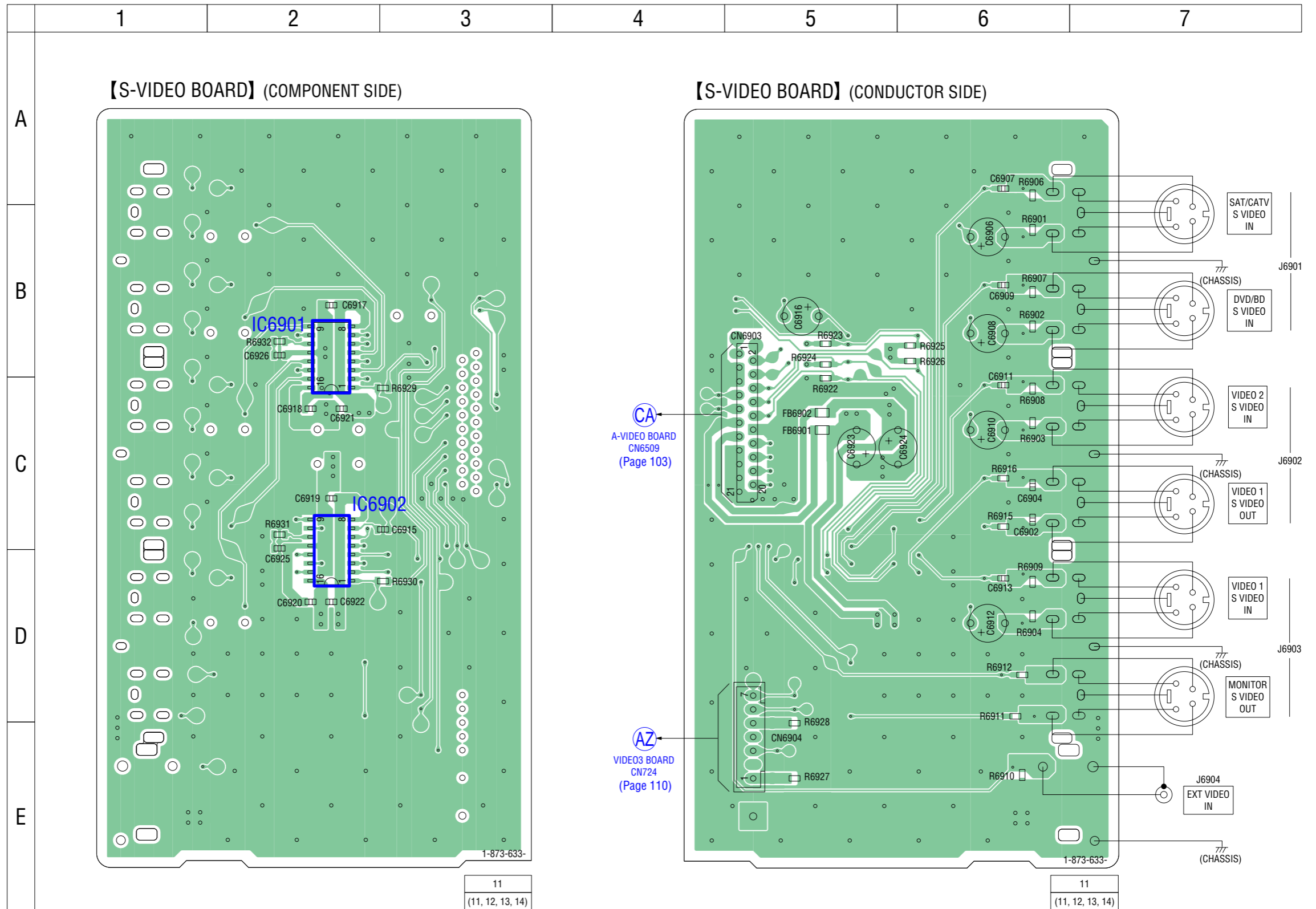
6-73. SCHEMATIC DIAGRAM – A-VIDEO Board (2/4) – • See page 126 for Waveforms. • See page 127 for IC Block Diagrams.



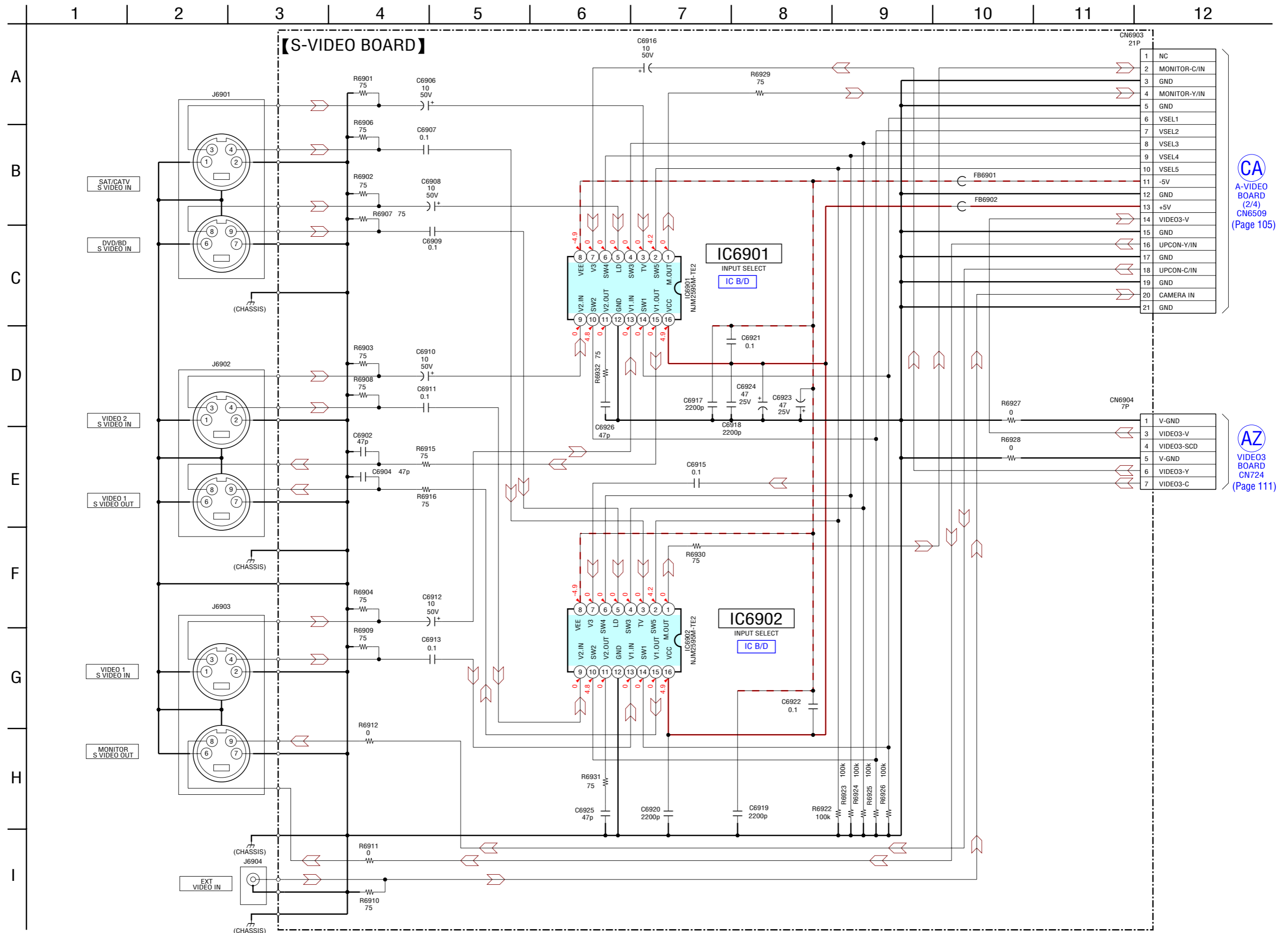


6-75. SCHEMATIC DIAGRAM – A-VIDEO Board (4/4) – • See page 127 for IC Block Diagrams.






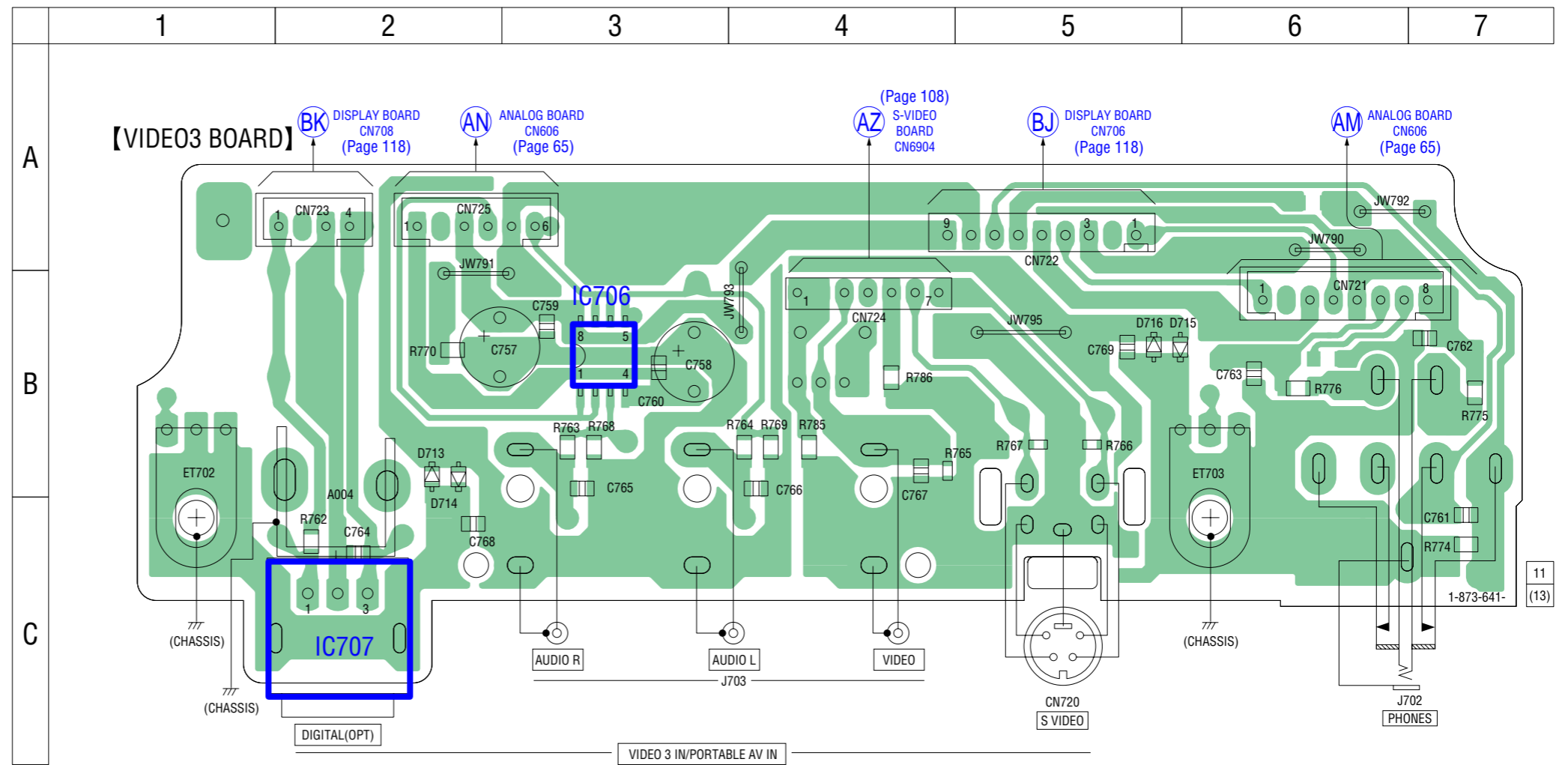
6-77. SCHEMATIC DIAGRAM – S-VIDEO Board – • See page 127 for IC Block Diagrams.



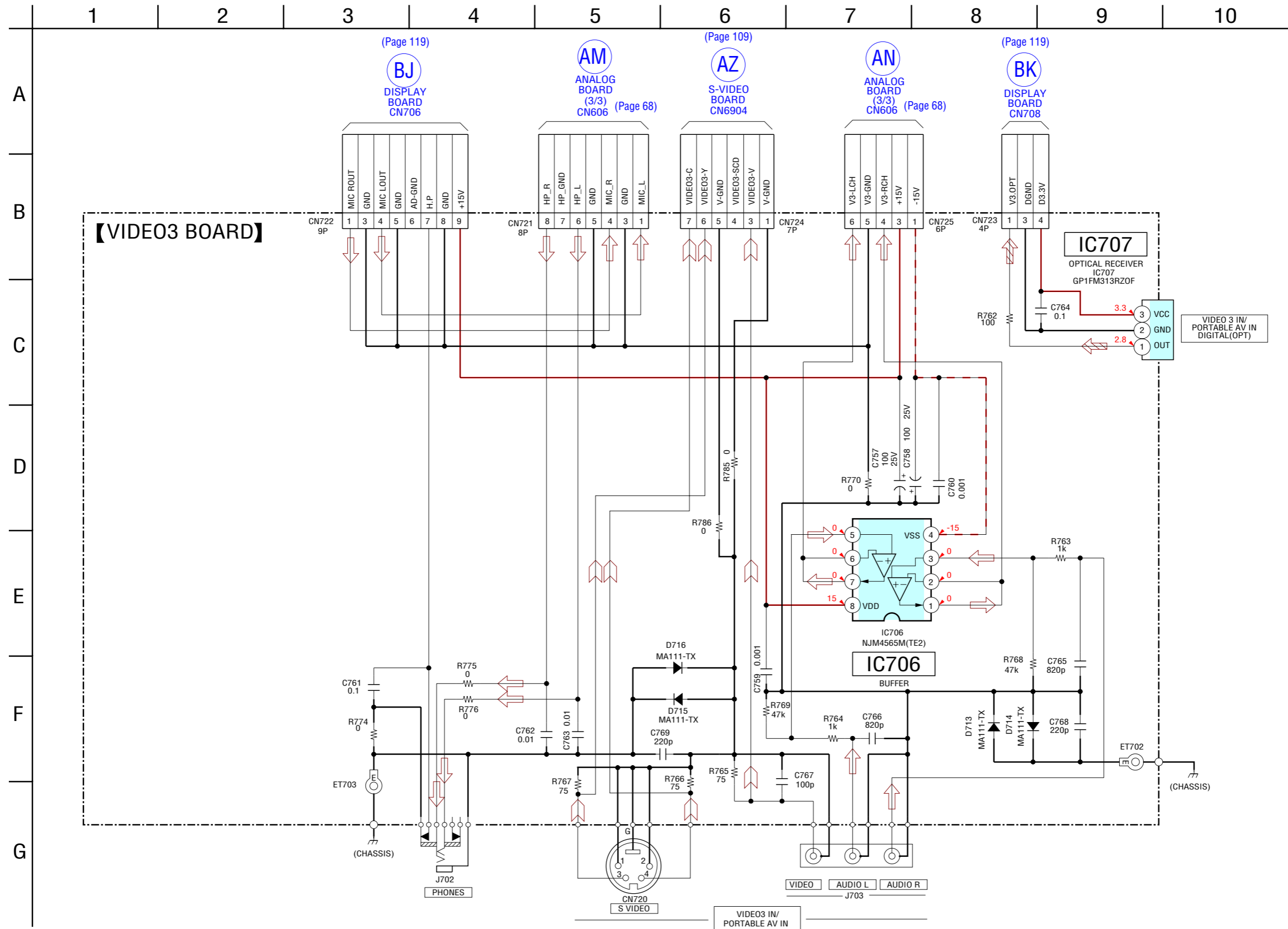
CA  
A-VIDEO BOARD (2/4)  
CN6509  
(Page 105)

AZ  
VIDEO3 BOARD CN724  
(Page 111)

6-78. PRINTED WIRING BOARD – VIDEO3 Board – • See page 45 for Circuit Boards Location.  : Uses unleaded solder.

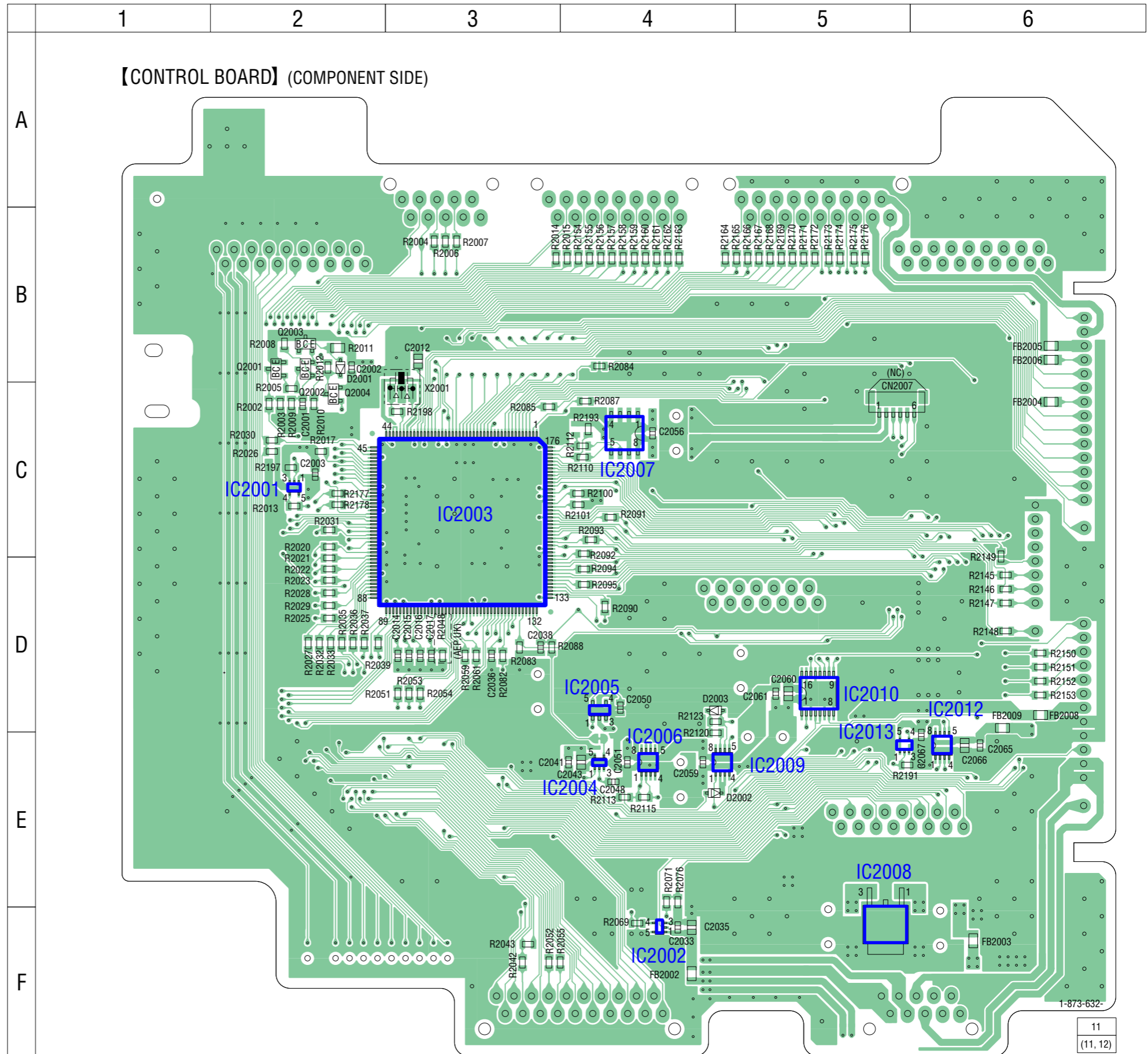


6-79. SCHEMATIC DIAGRAM – VIDEO3 Board –




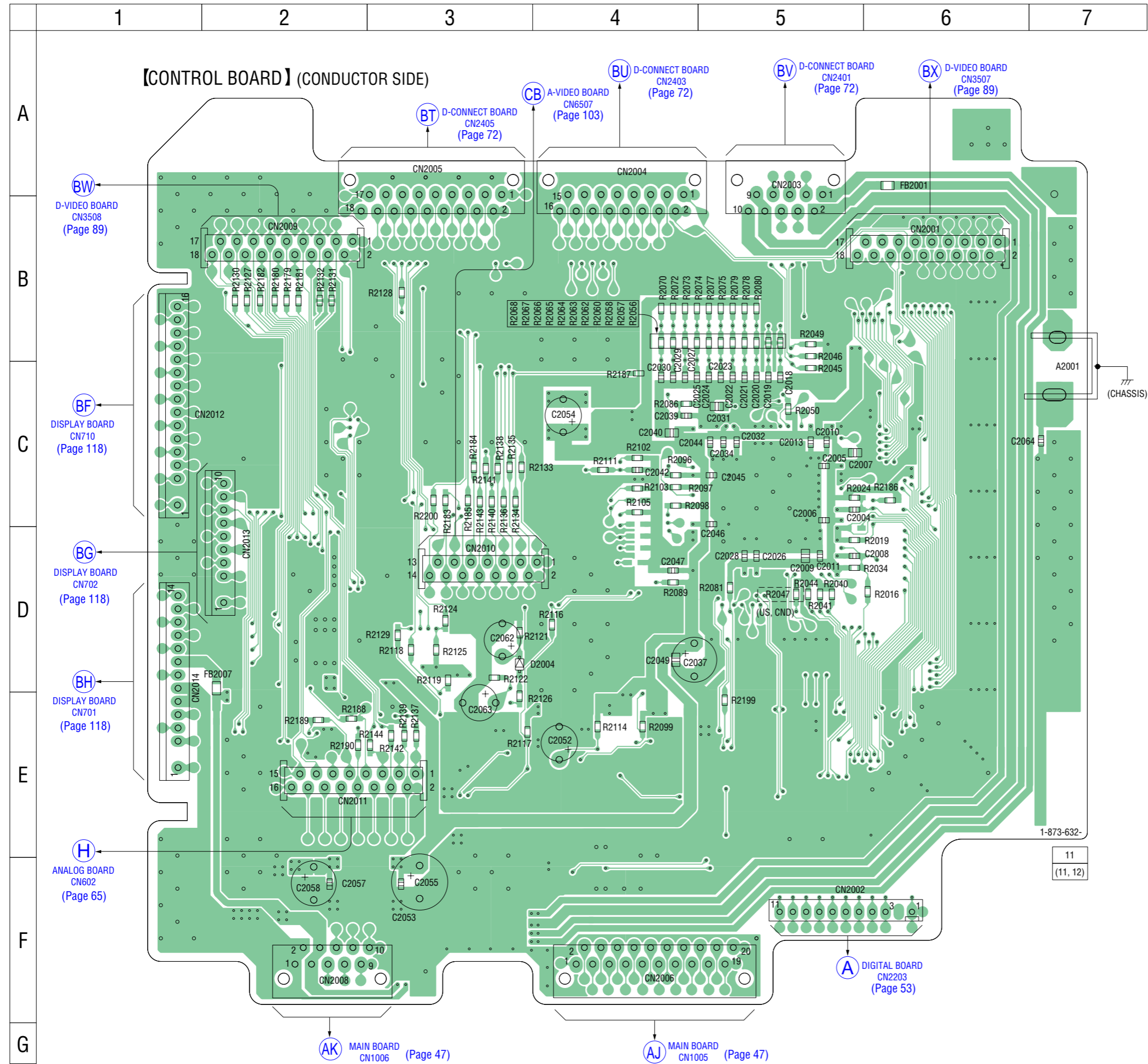
• Semiconductor Location

Ref. No.	Location
D2001	B-2
D2002	E-4
D2003	D-4
IC2001	C-2
IC2002	F-4
IC2003	C-3
IC2004	E-4
IC2005	D-4
IC2006	E-4
IC2007	C-4
IC2008	F-5
IC2009	E-4
IC2010	D-5
IC2012	E-6
IC2013	E-5
Q2001	B-2
Q2002	B-2
Q2003	B-2
Q2004	C-2



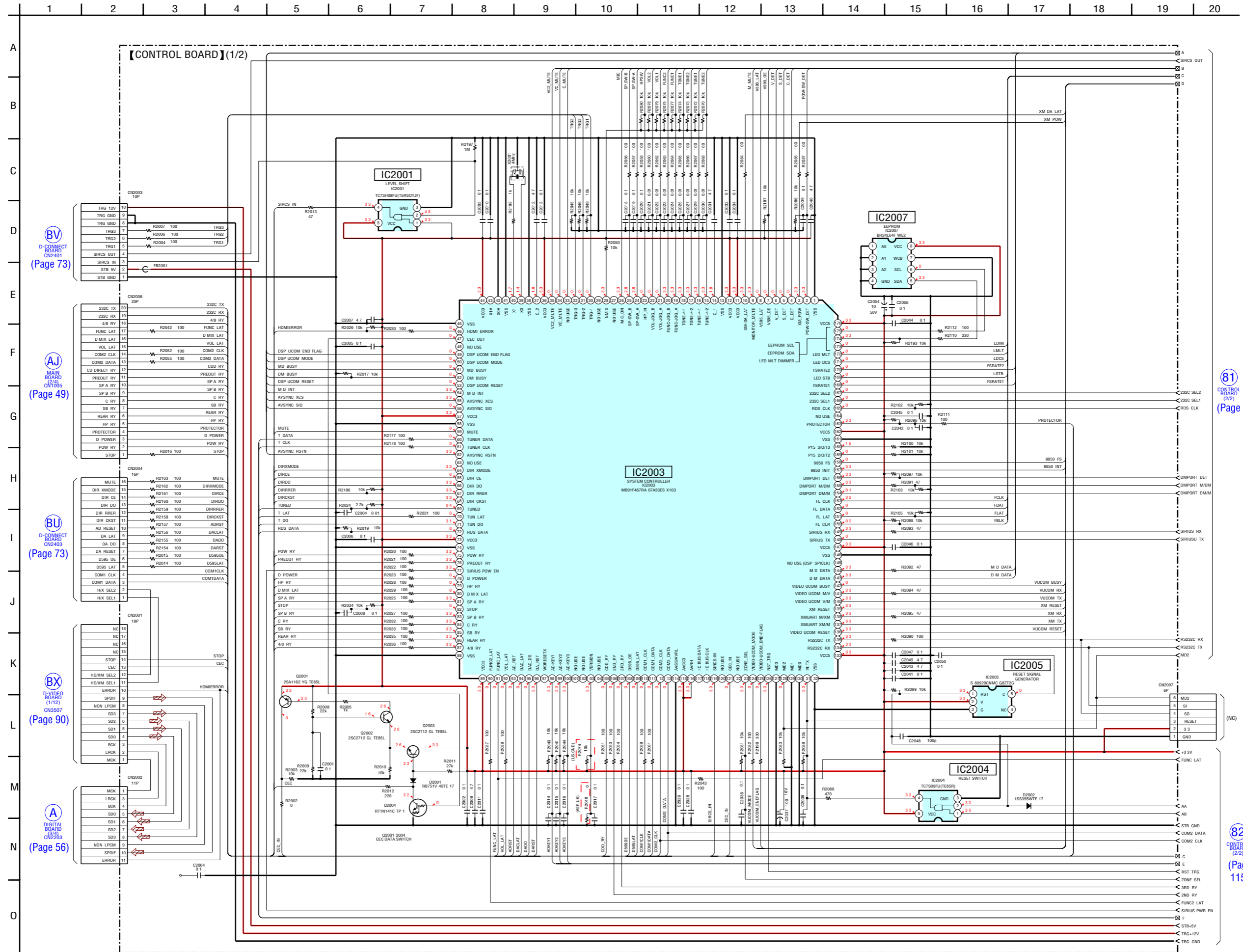


6-81. PRINTED WIRING BOARD – CONTROL Board (Conductor Side) – • See page 45 for Circuit Boards Location.  : Uses unleaded solder.



• Semiconductor Location

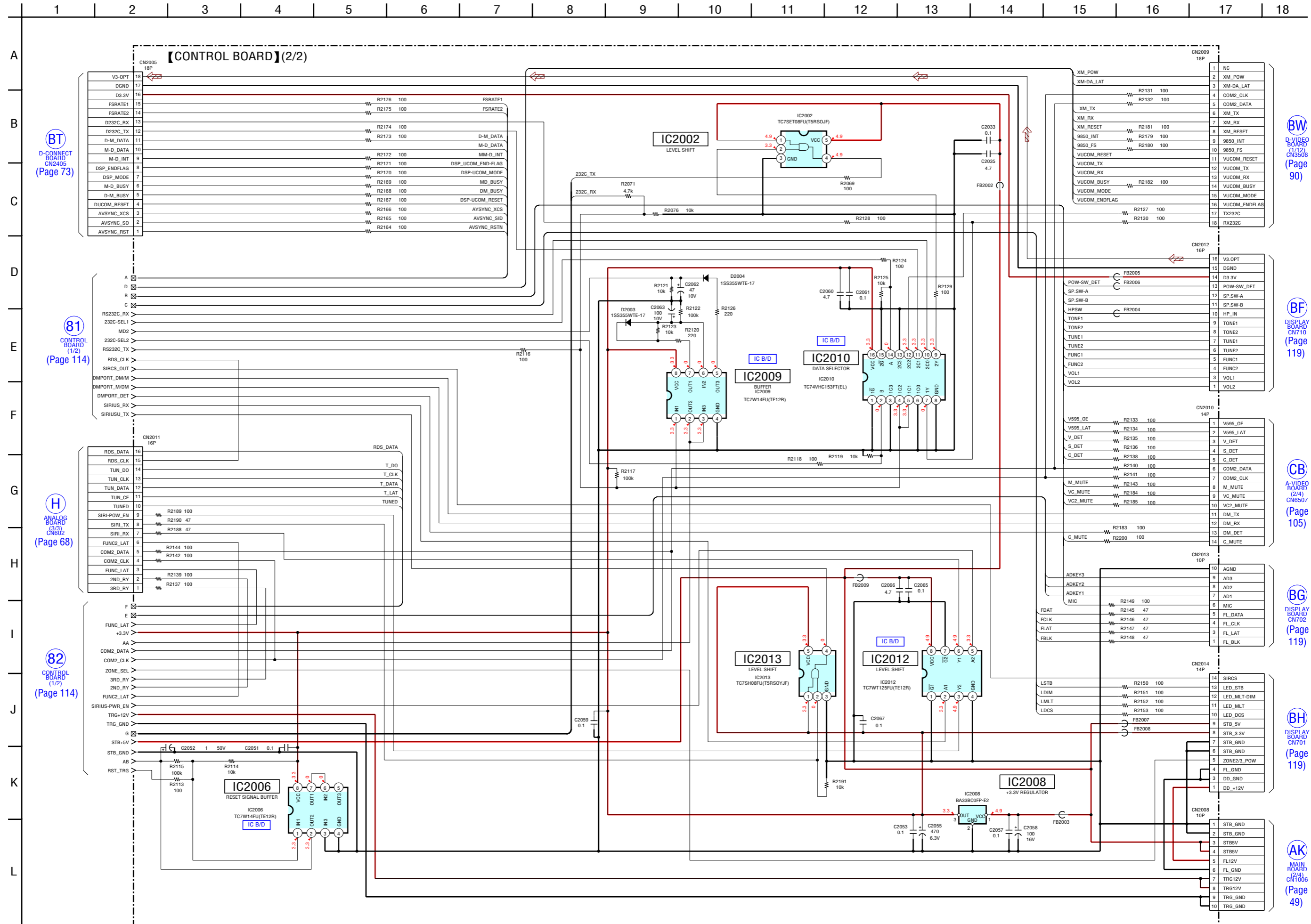
Ref. No.	Location
D2004	D-3



81 CONTROL BOARD (2/2) (Page 115)

82 CONTROL BOARD (2/2) (Page 115)

6-83. SCHEMATIC DIAGRAM – CONTROL Board (2/2) – • See page 127 for IC Block Diagrams.



BT D-CONNECT BOARD CN2405 (Page 73)

81 CONTROL BOARD (1/2) (Page 114)

H ANALOG BOARD (3/3) CN602 (Page 68)

82 CONTROL BOARD (1/2) (Page 114)

BW D-VIDEO BOARD (1/2) CN3508 (Page 90)

BF DISPLAY BOARD CN710 (Page 119)

CB A-VIDEO BOARD (2/4) CN6507 (Page 105)

BG DISPLAY BOARD CN702 (Page 119)

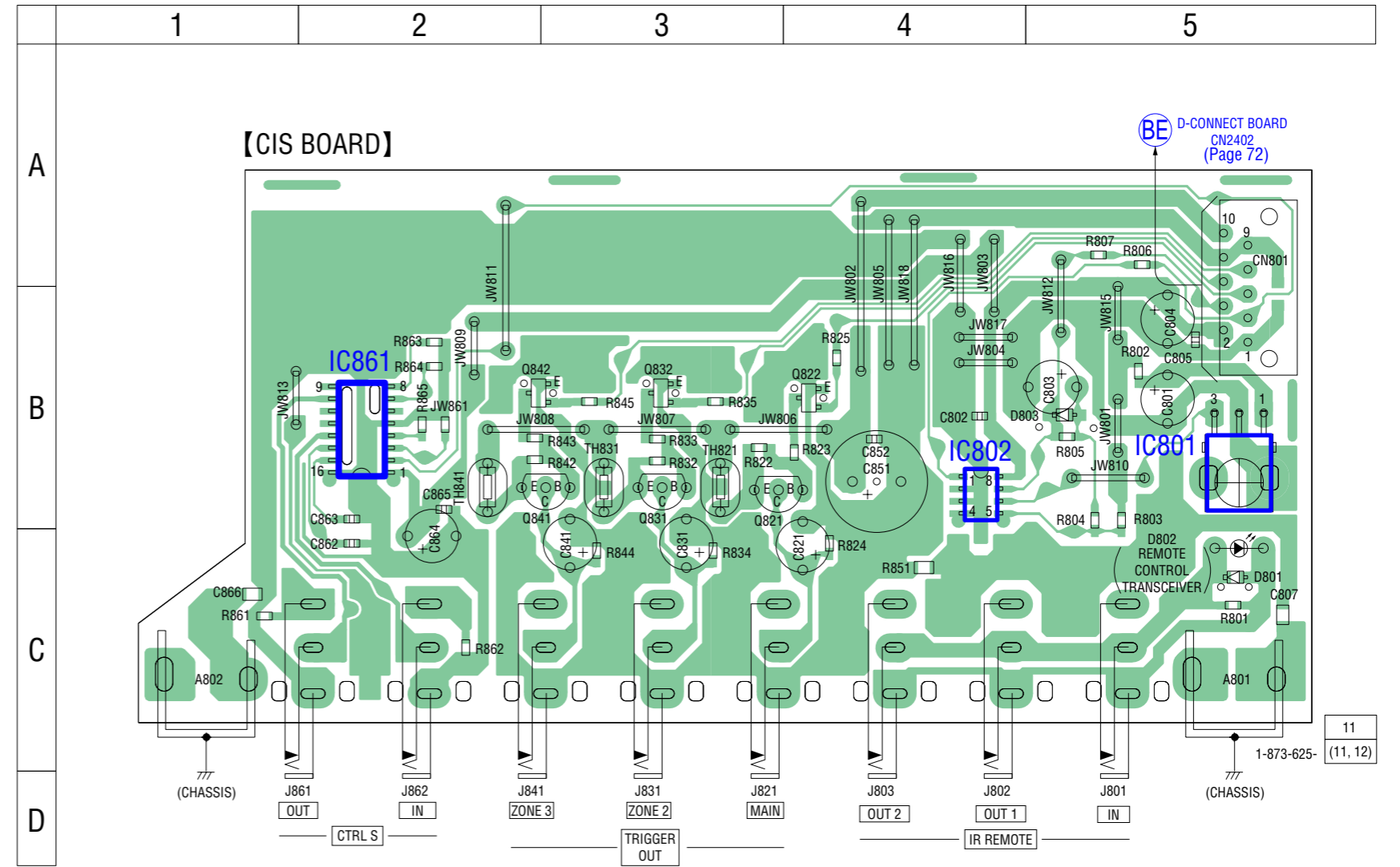
BH DISPLAY BOARD CN701 (Page 119)

AK MAIN BOARD (2/4) CN1006 (Page 49)

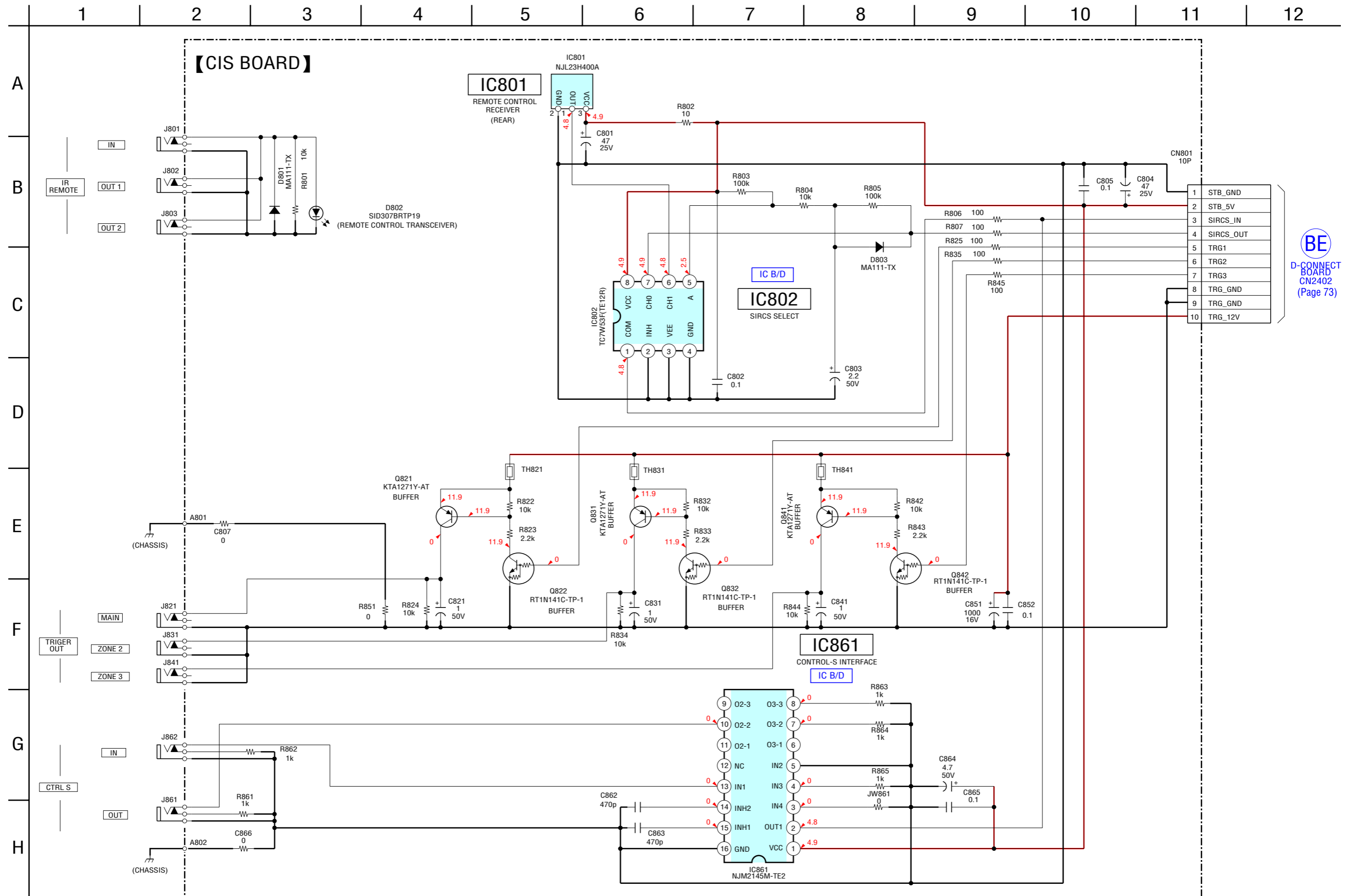
• Semiconductor Location

Ref. No.	Location
D801	C-5
D802	C-5
D803	B-5
IC801	B-5
IC802	B-4
IC861	B-2
Q821	B-3
Q822	B-4
Q831	B-3
Q832	B-3
Q841	B-3
Q842	B-2

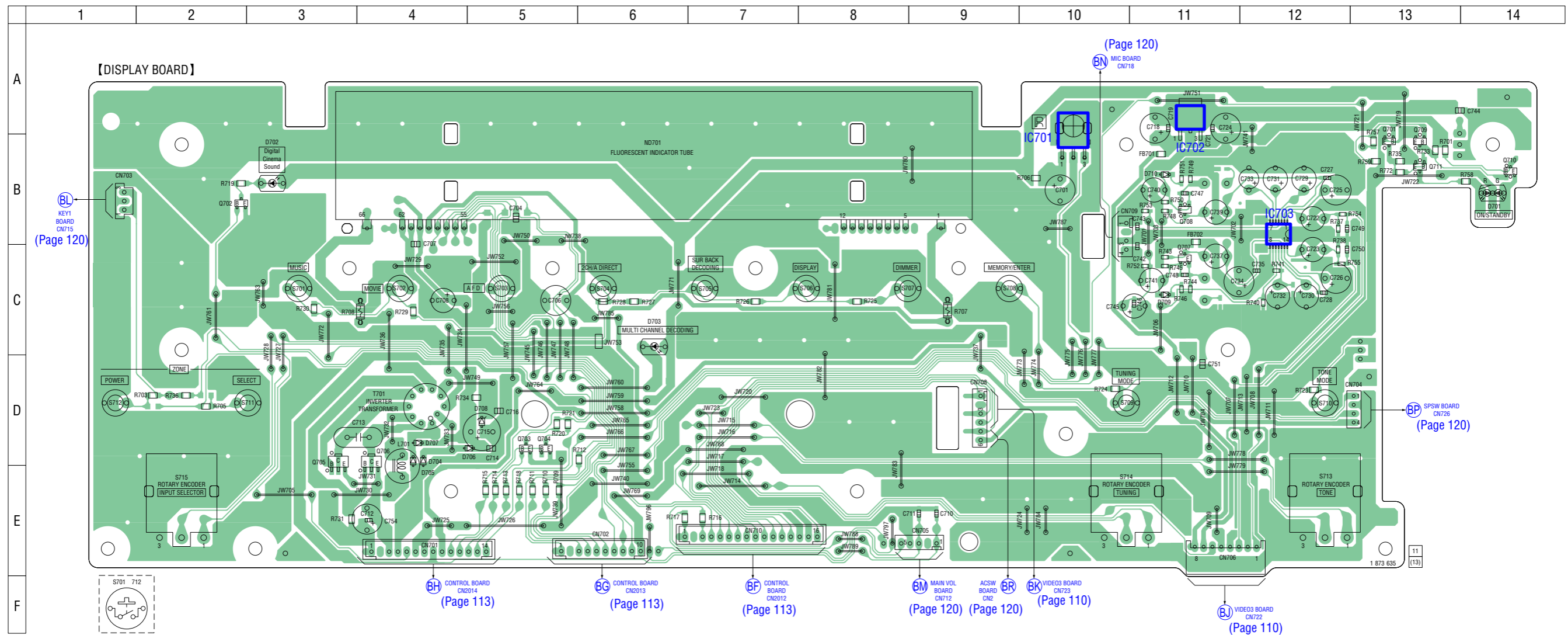
6-84. PRINTED WIRING BOARD – CIS Board – • See page 45 for Circuit Boards Location.  : Uses unleaded solder.



6-85. SCHEMATIC DIAGRAM – CIS Board – • See page 127 for IC Block Diagrams.



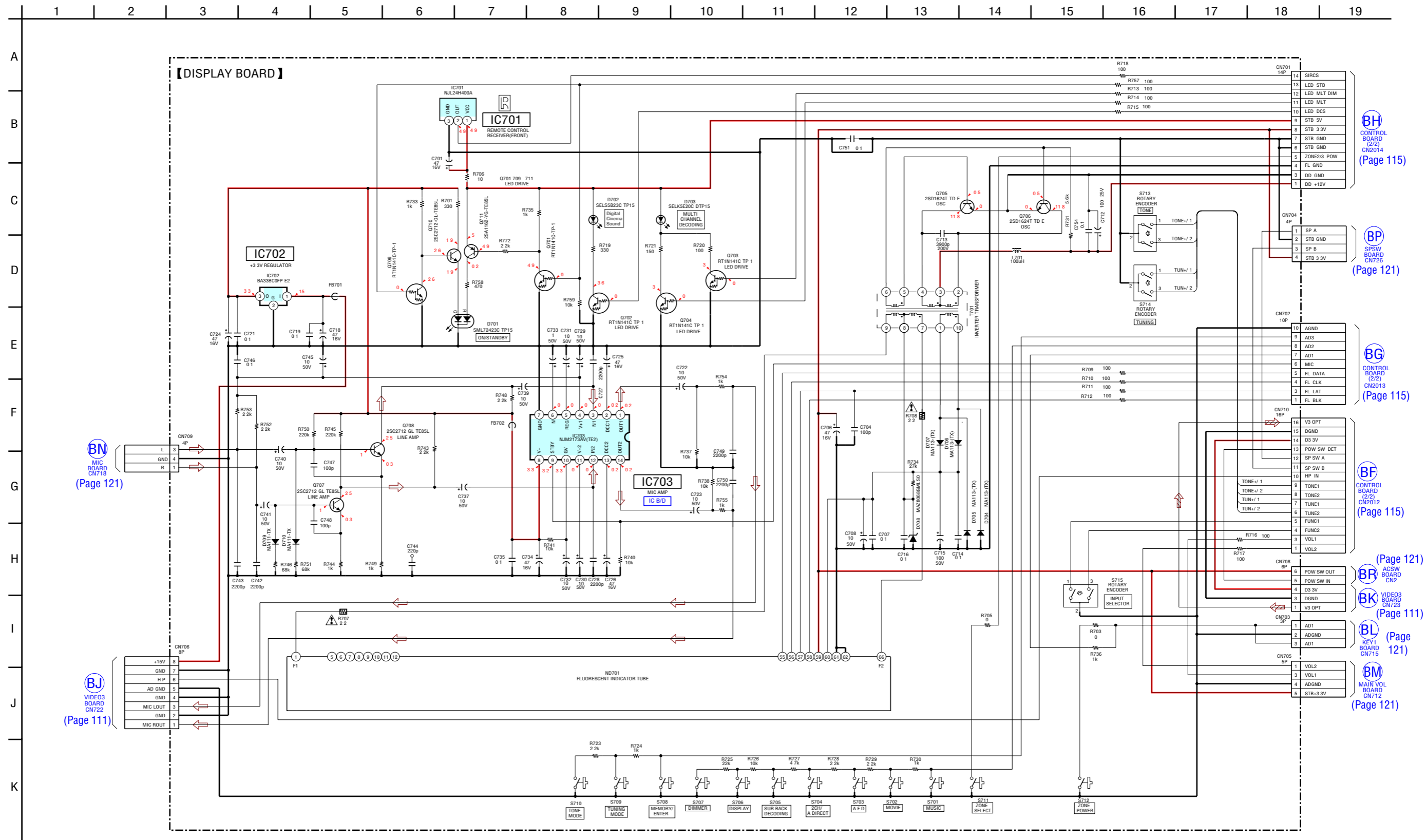
6-86. PRINTED WIRING BOARD – DISPLAY Board – • See page 45 for Circuit Boards Location.  : Uses unleaded solder.



• Semiconductor Location

Ref. No.	Location	Ref. No.	Location
D701	B-14	IC703	B-12
D702	B-3	Q701	B-13
D703	C-6	Q702	B-2
D704	D-4	Q703	D-5
D705	D-4	Q704	D-5
D706	D-5	Q705	D-3
D707	D-4	Q706	D-4
D708	D-5	Q707	C-11
D709	C-11	Q708	B-11
D710	B-11	Q709	B-13
IC701	B-10	Q710	B-14
IC702	B-11	Q711	B-13

6-87. SCHEMATIC DIAGRAM – DISPLAY Board – • See page 127 for IC Block Diagrams.



BN CONTROL BOARD (2/2) CN2014 (Page 115)

BP SPSW BOARD CN725 (Page 121)

BG CONTROL BOARD (2/2) CN2013 (Page 115)

BF CONTROL BOARD (2/2) CN2012 (Page 115)

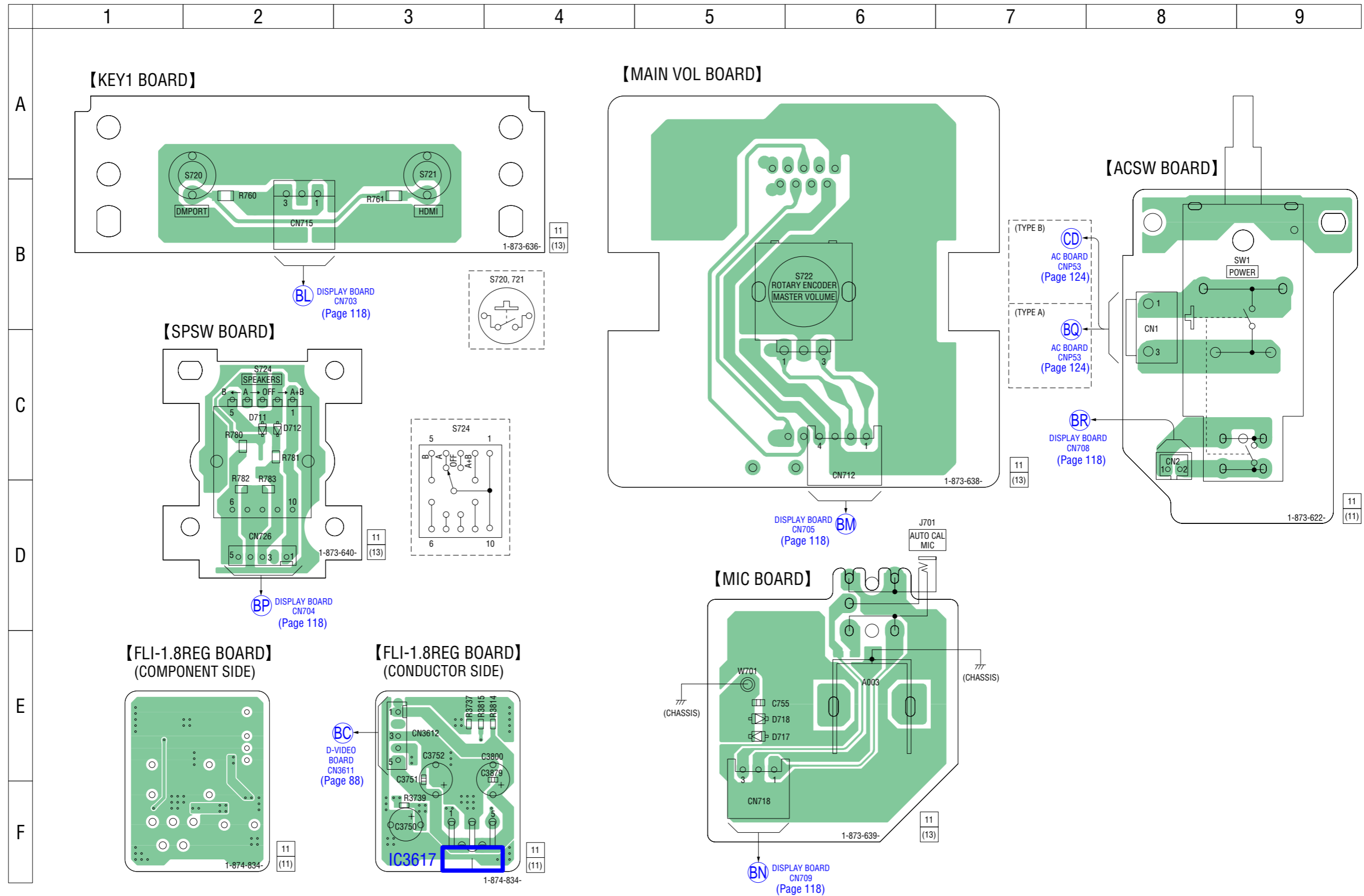
BR ACSW BOARD CN2 (Page 121)

BK VIDEO3 BOARD CN723 (Page 111)

BL KEY1 BOARD CN715 (Page 121)

BM MAIN VOL BOARD CN712 (Page 121)

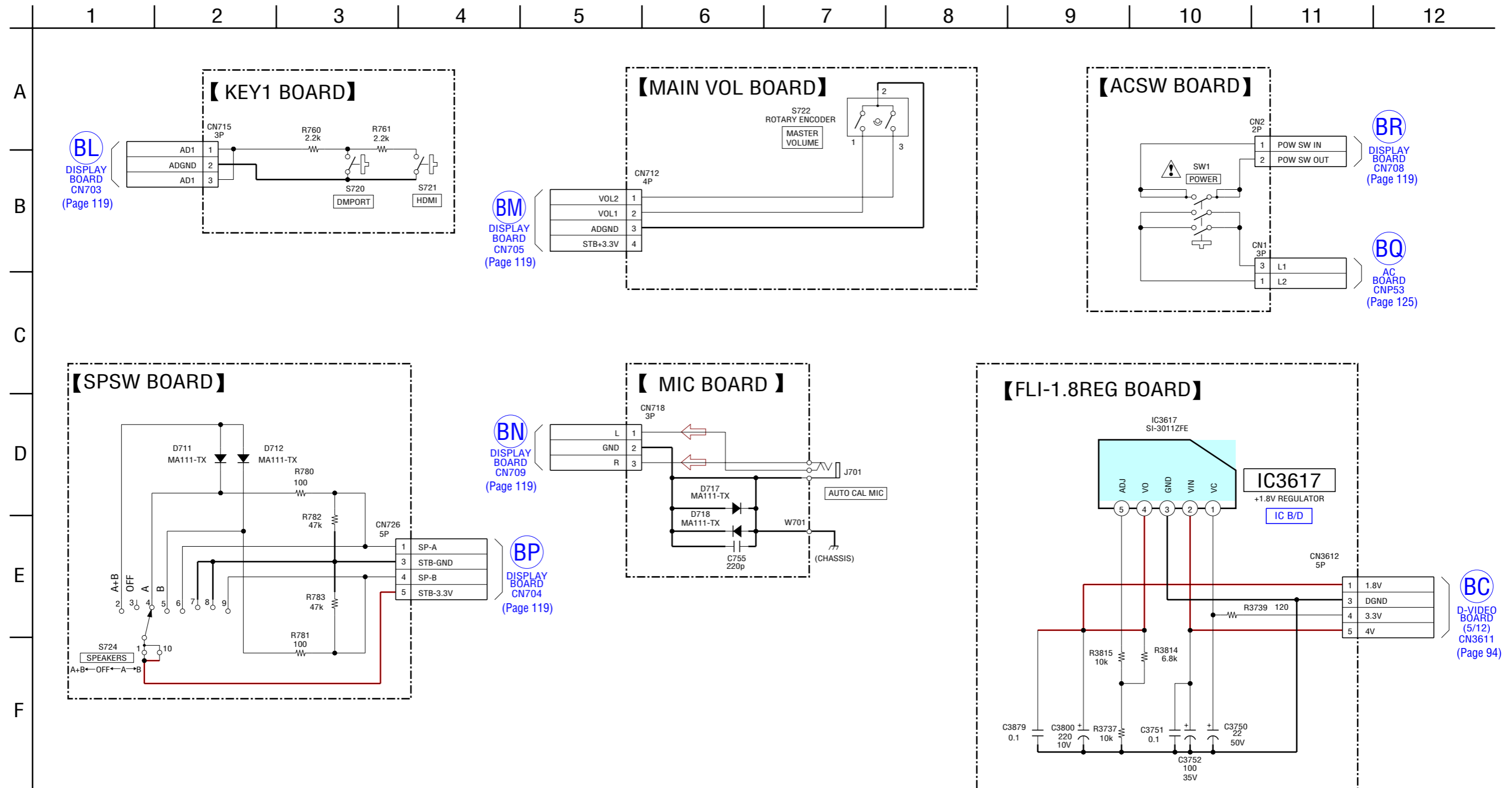
6-88. PRINTED WIRING BOARDS – PANEL Section – • See page 45 for Circuit Boards Location.  : Uses unleaded solder.



**Note:** Refer "NOTE WHEN THE AC BOARD IS REPAIRED" (page 5) in servicing notes for how to distinguish TYPE A/B.

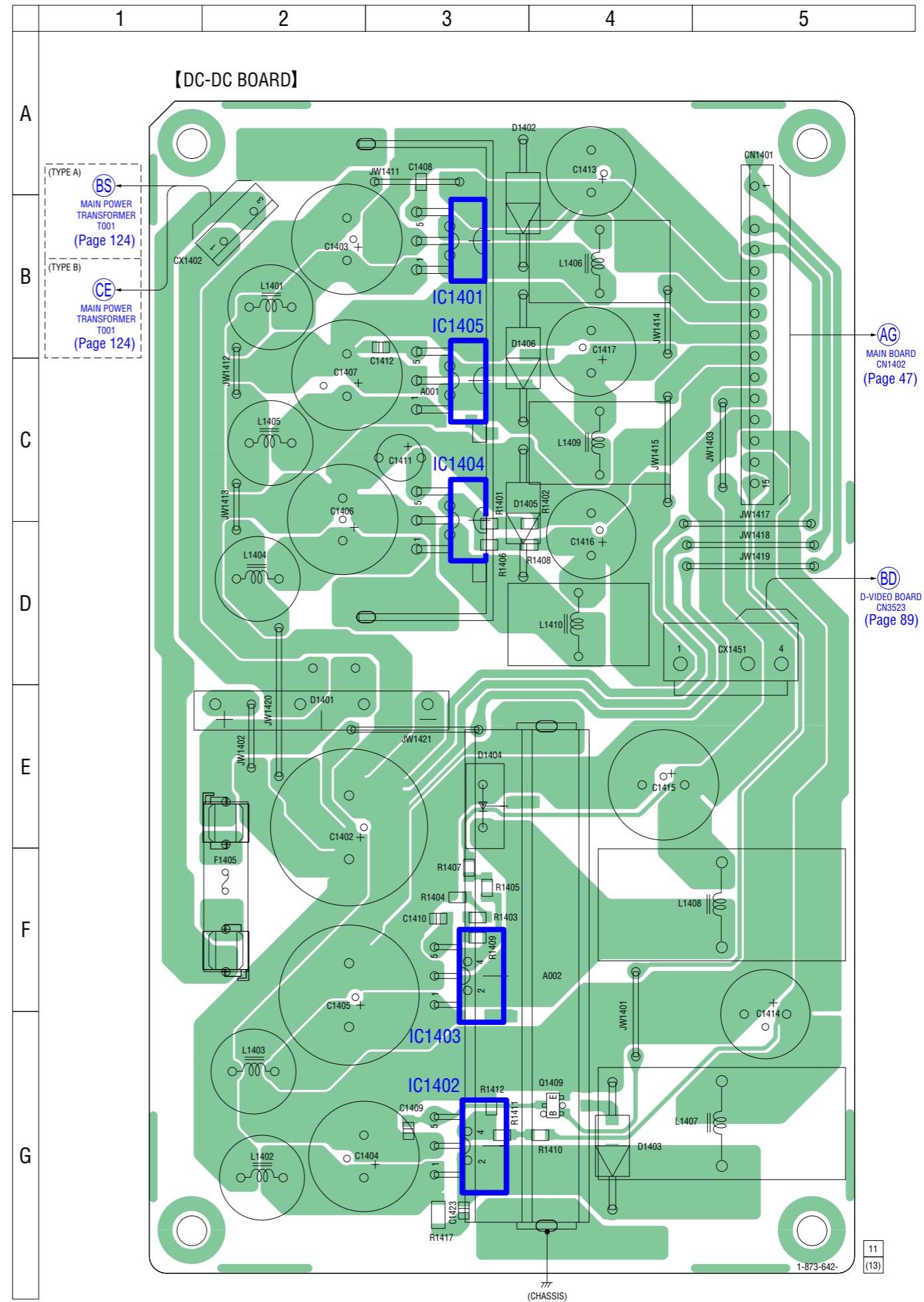


6-89. SCHEMATIC DIAGRAM – PANEL Section – • See page 127 for IC Block Diagrams.



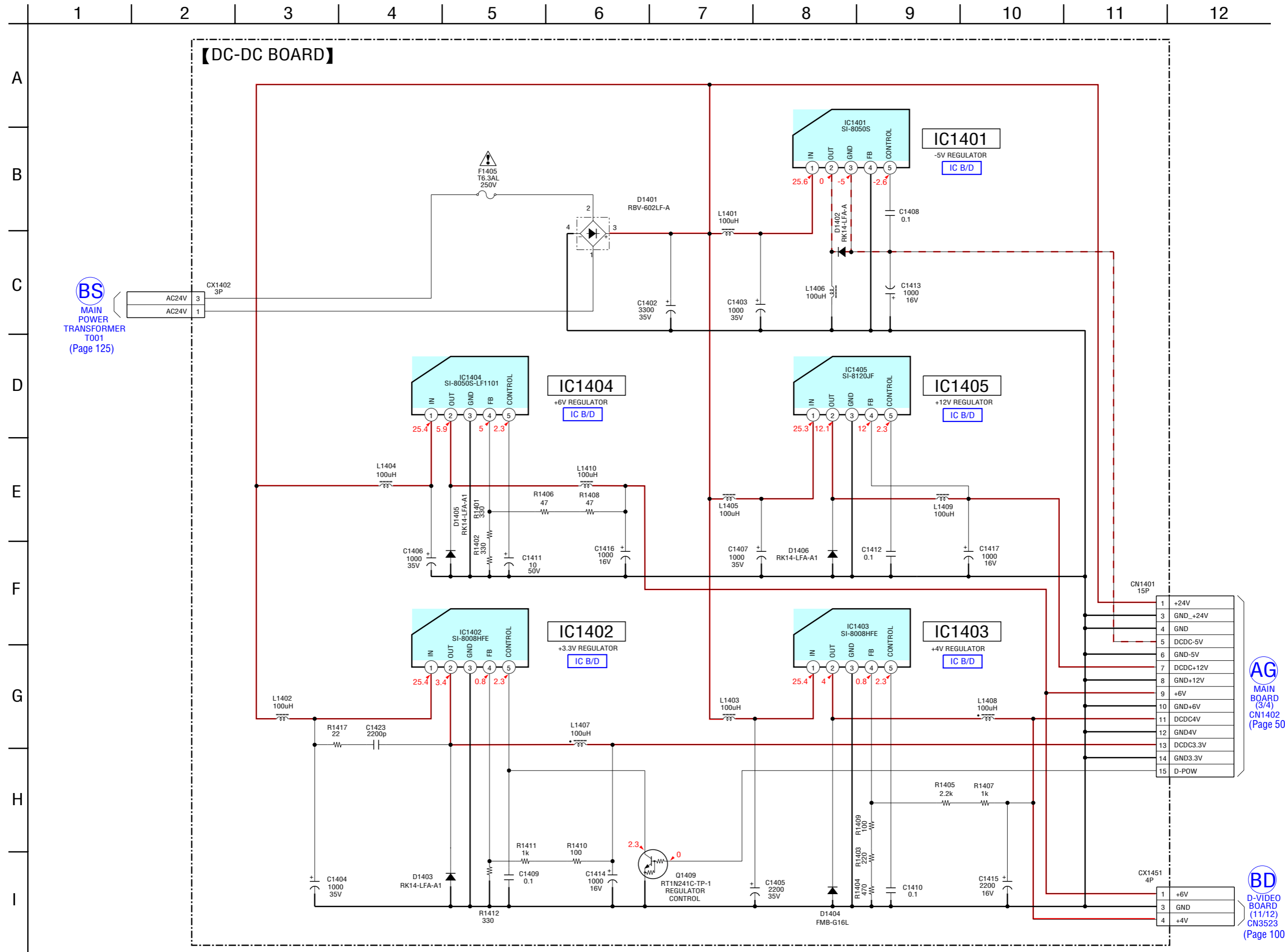
• Semiconductor Location

Ref. No.	Location
D1401	E-2
D1402	B-3
D1403	G-4
D1404	E-3
D1405	C-3
D1406	B-3
IC1401	B-3
IC1402	G-3
IC1403	F-3
IC1404	C-3
IC1405	C-3
Q1409	G-4



**Note:** Refer "NOTE WHEN THE AC BOARD IS REPAIRED" (page 5) in servicing notes for how to distinguish TYPE A/B.

6-91. SCHEMATIC DIAGRAM – DC-DC Board – • See page 127 for IC Block Diagrams.

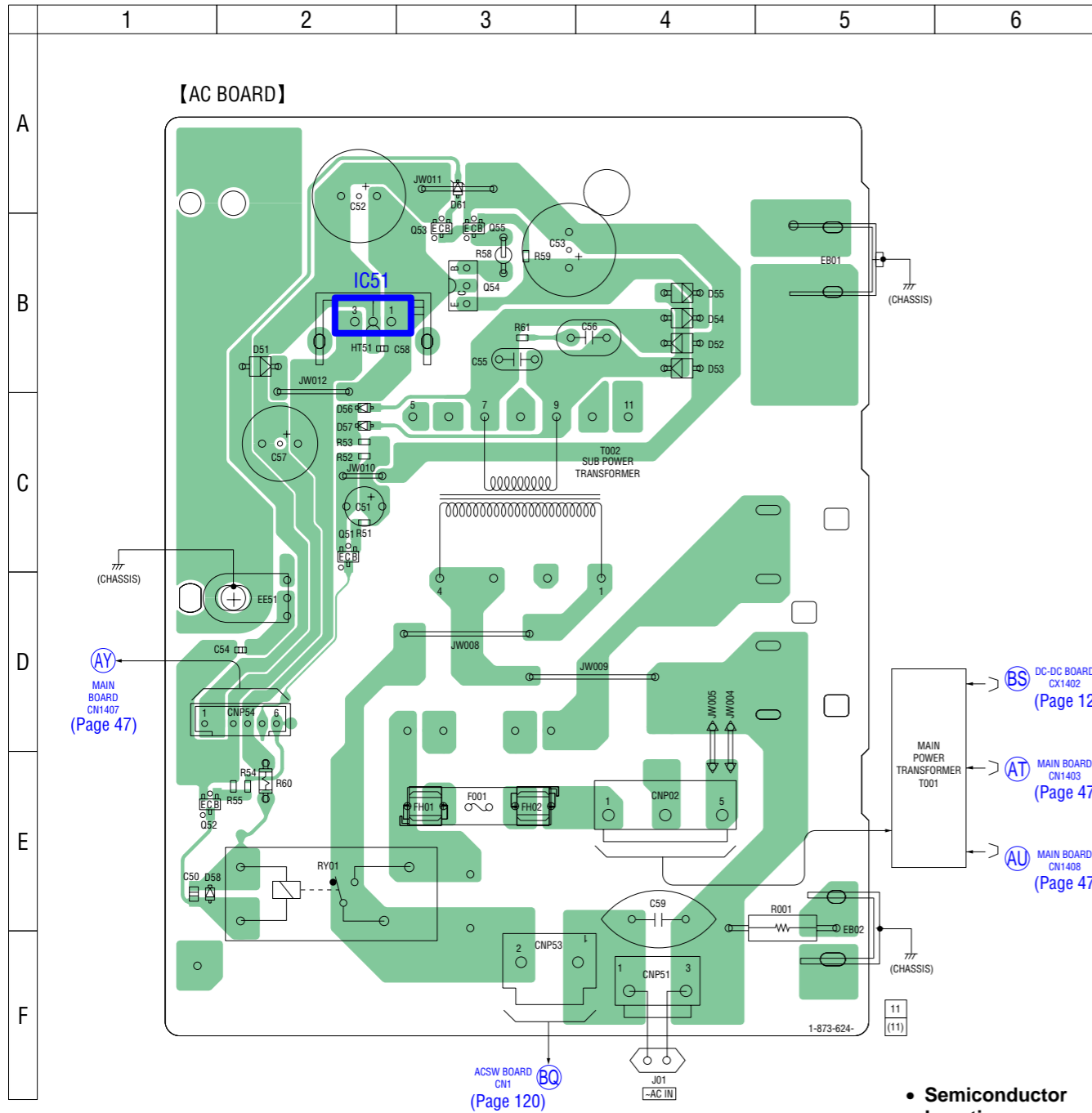


AG  
MAIN BOARD (3/4)  
CN1402 (Page 50)

BD  
D-VIDEO BOARD (11/12)  
CN3523 (Page 100)

6-92. PRINTED WIRING BOARD – AC Board (TYPE A) –

• See page 45 for Circuit Boards Location.  : Uses unleaded solder.

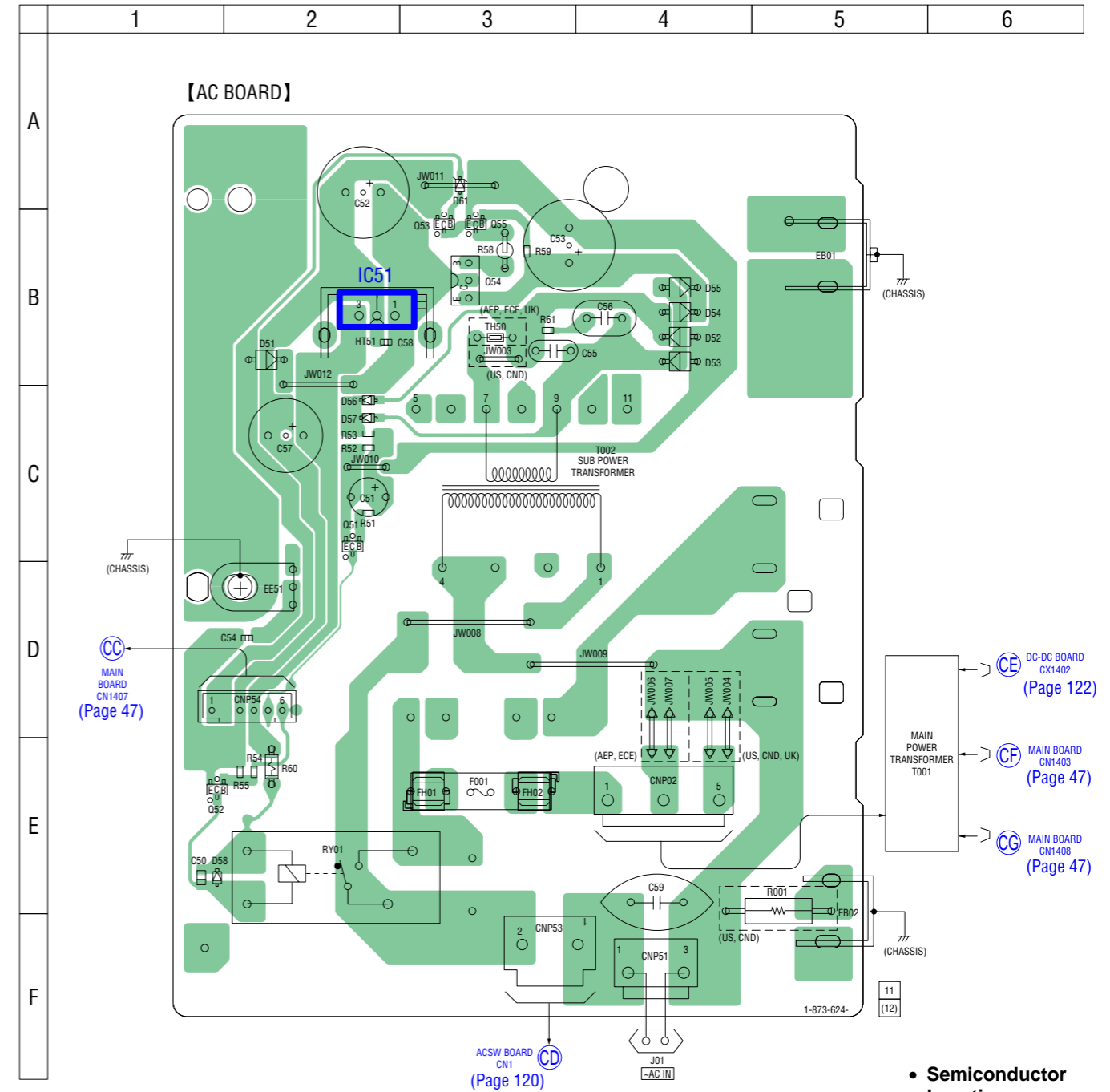


• Semiconductor Location

Ref. No.	Location
D51	B-2
D52	B-4
D53	B-4
D54	B-4
D55	B-4
D56	C-2
D57	C-2
D58	E-1
D61	A-3
IC51	B-2
Q51	C-2
Q52	E-1
Q53	B-3
Q54	B-3
Q55	B-3

6-93. PRINTED WIRING BOARD – AC Board (TYPE B) –

• See page 45 for Circuit Boards Location.  : Uses unleaded solder.

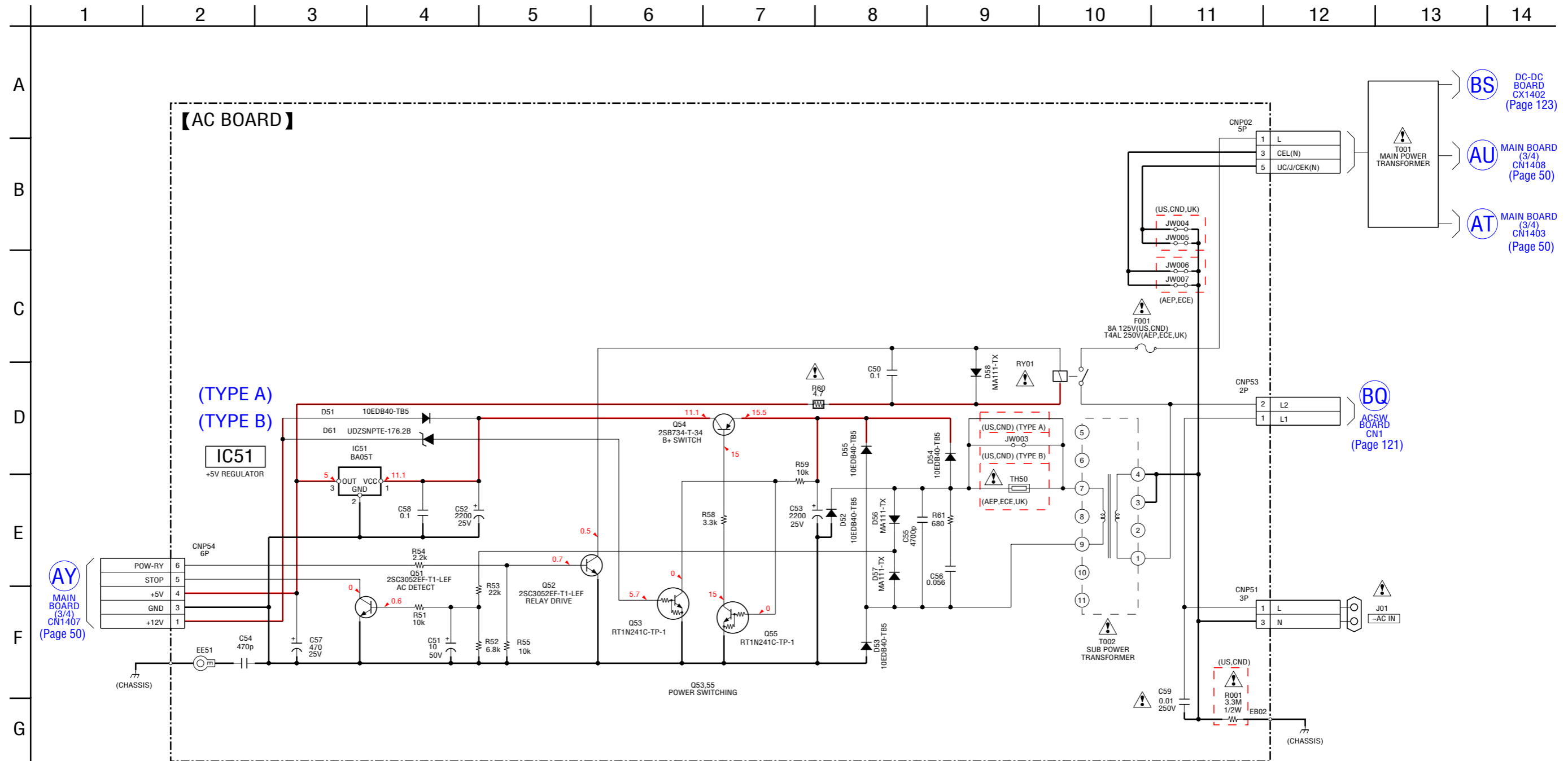


• Semiconductor Location

Ref. No.	Location
D51	B-2
D52	B-4
D53	B-4
D54	B-4
D55	B-4
D56	C-2
D57	C-2
D58	E-1
D61	A-3
IC51	B-2
Q51	C-2
Q52	E-1
Q53	B-3
Q54	B-3
Q55	B-3

Note: Refer "NOTE WHEN THE AC BOARD IS REPAIRED" (page 5) in servicing notes for how to distinguish TYPE A/B.

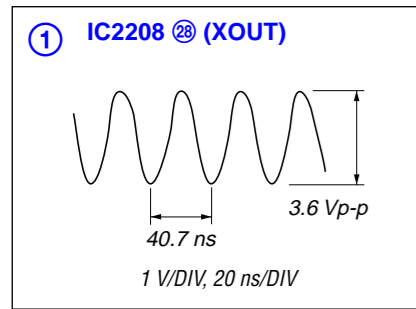
6-94. SCHEMATIC DIAGRAM – AC Board –



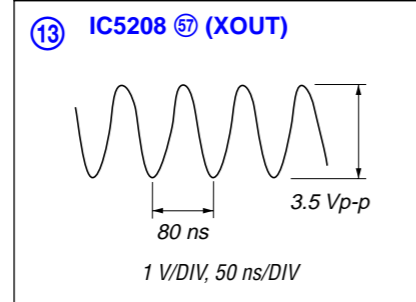
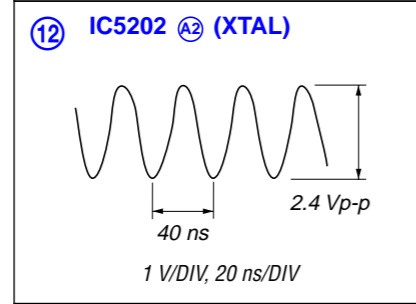
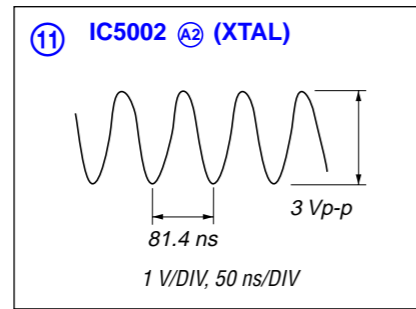
**Note:** Refer "NOTE WHEN THE AC BOARD IS REPAIRED" (page 5) in servicing notes for how to distinguish TYPE A/B.

• Waveforms

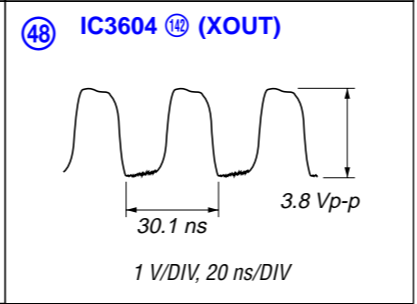
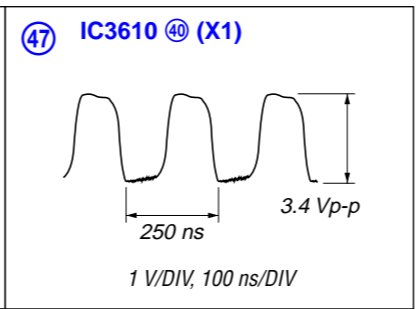
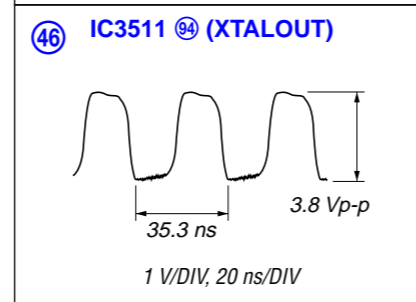
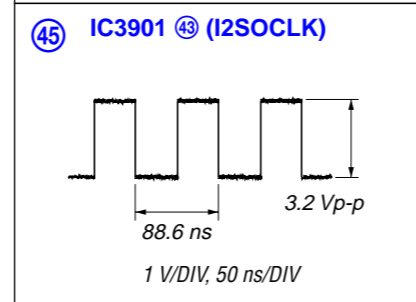
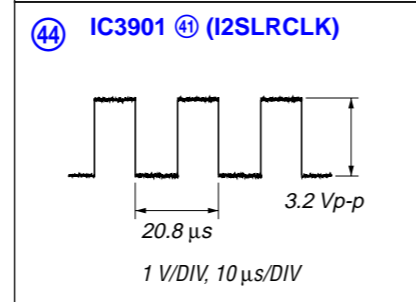
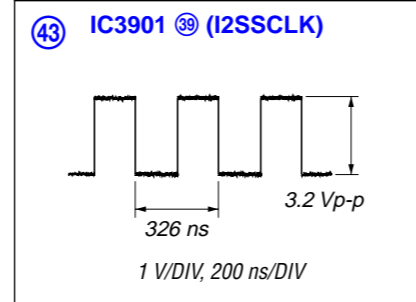
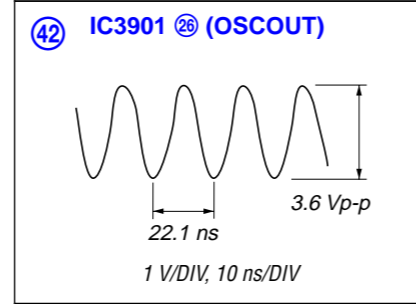
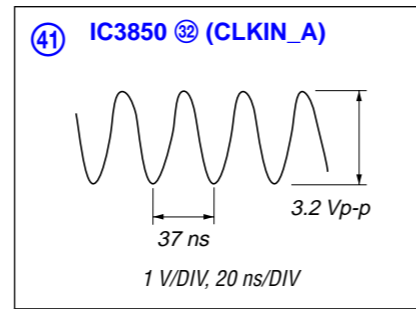
– DIGITAL Board –



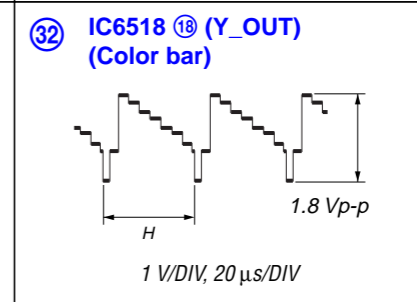
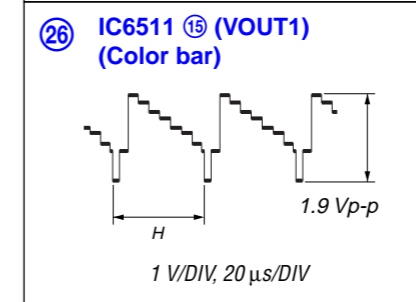
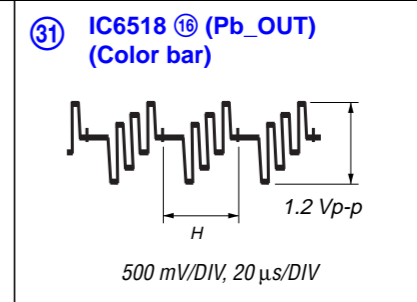
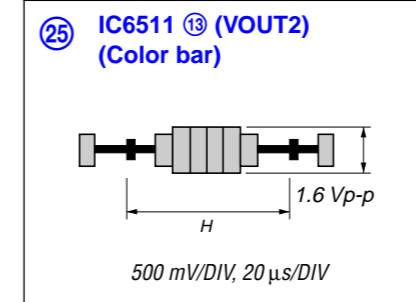
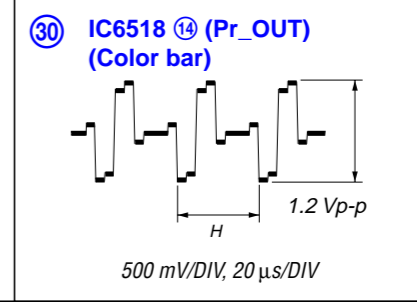
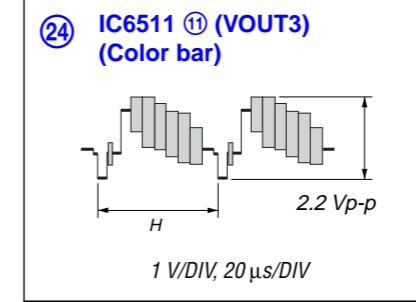
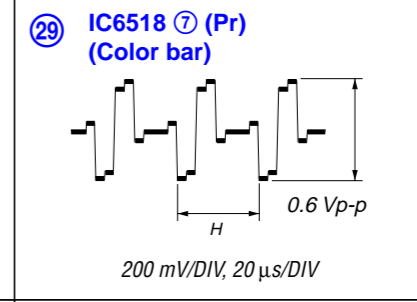
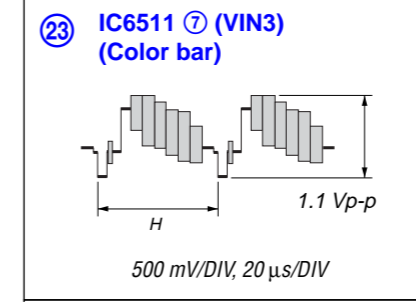
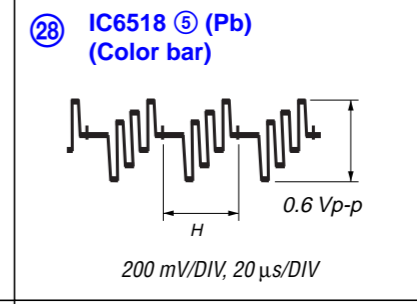
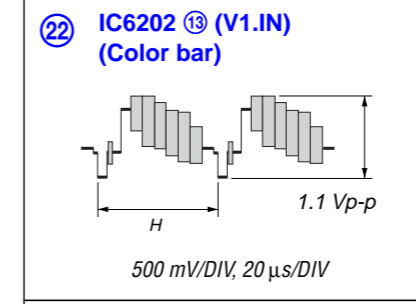
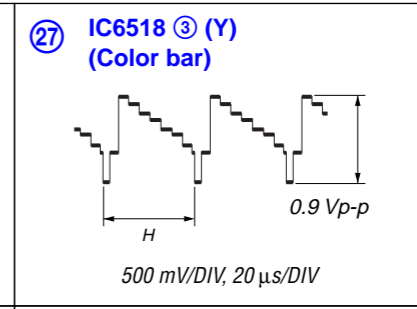
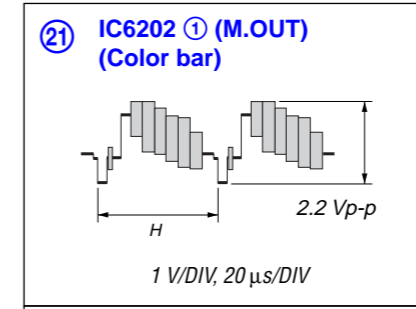
– DSP Board –

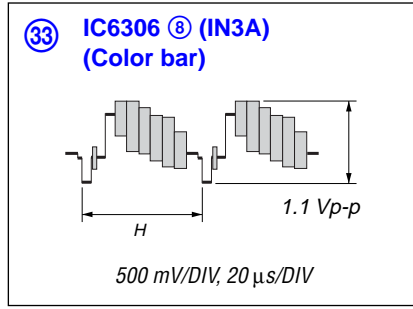


– D-VIDEO Board –



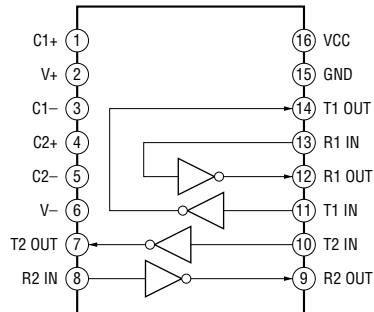
– A-VIDEO Board –



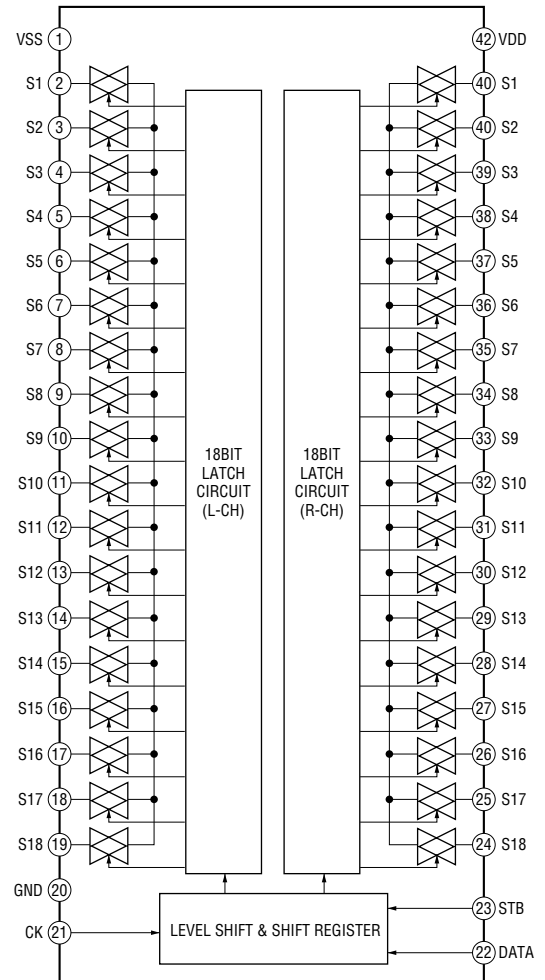


• IC Block Diagrams  
– MAIN Board –

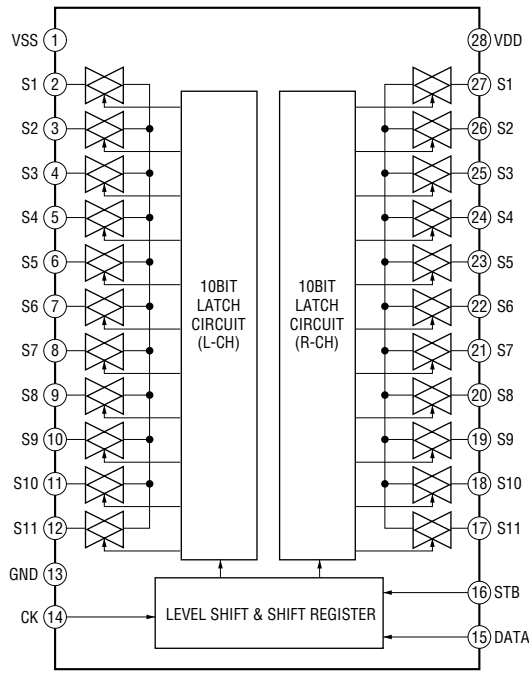
IC1499 MAX232DR



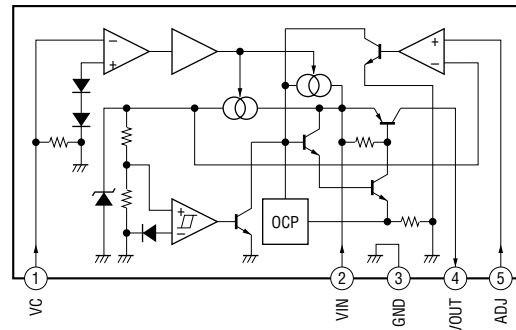
IC2090 TC9274CNG-016



IC2390 TC9273CFG-012 (EL)

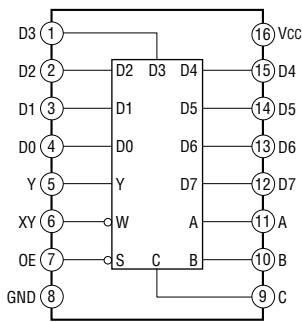


IC2494 SI-3011ZD-TL

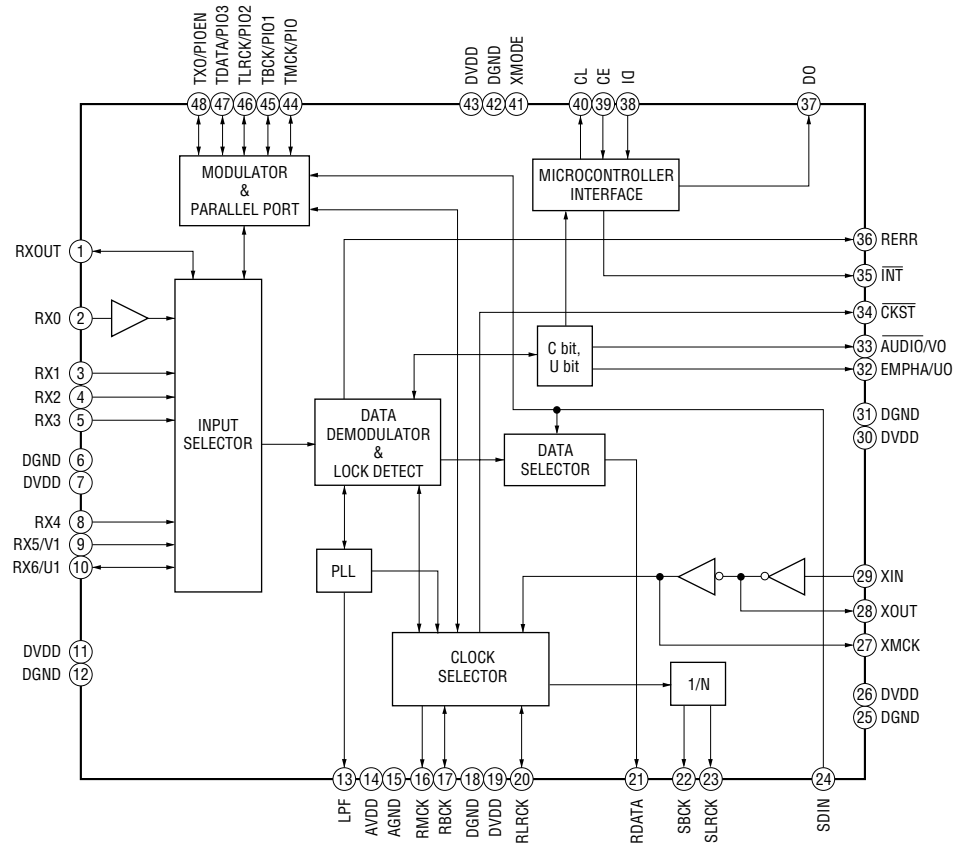


– DIGITAL Board –

IC2207 TC74HC151AF (EL)

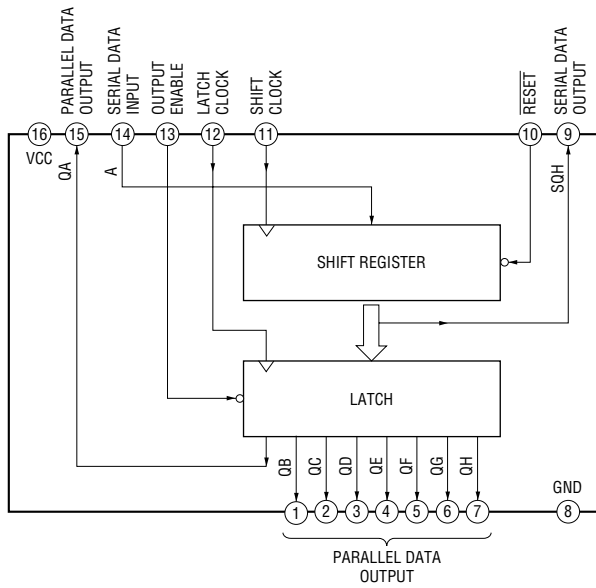


IC2208 LC89057W-VF4A-E

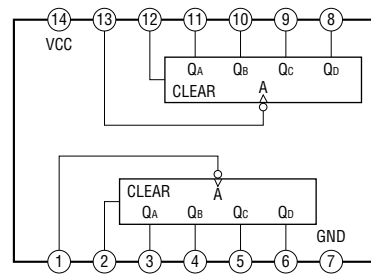




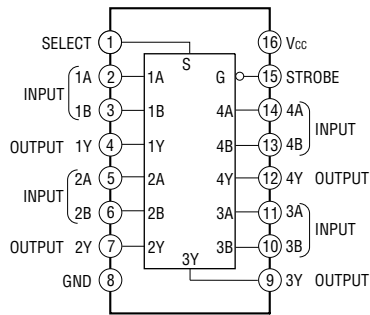
**IC2210 SN74HC595ANS**



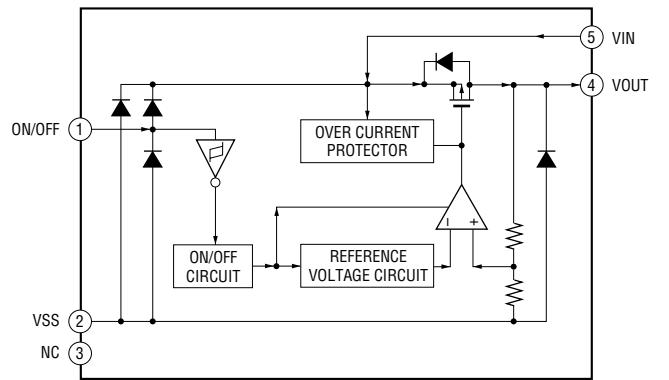
**IC2211, 2216 TC74VHC393FT (EL)**



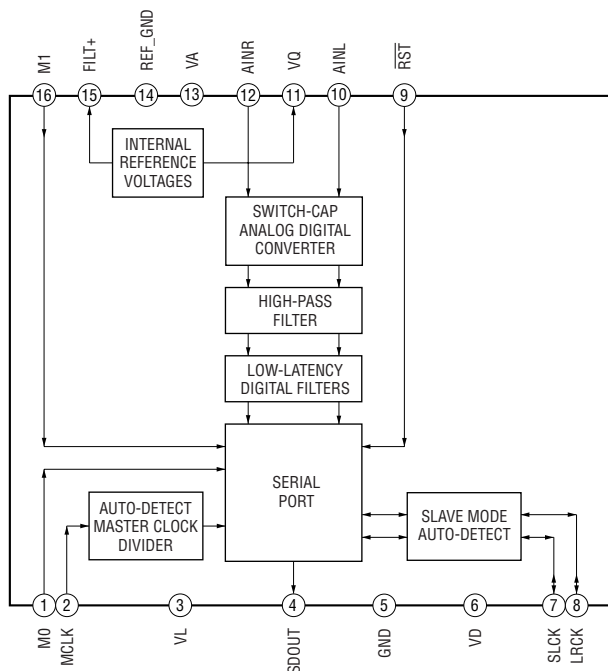
**IC2212 – 2214 TC74VHC157FT (EKJ)**



**IC2215 S-T111B33MC-OGSTFG**

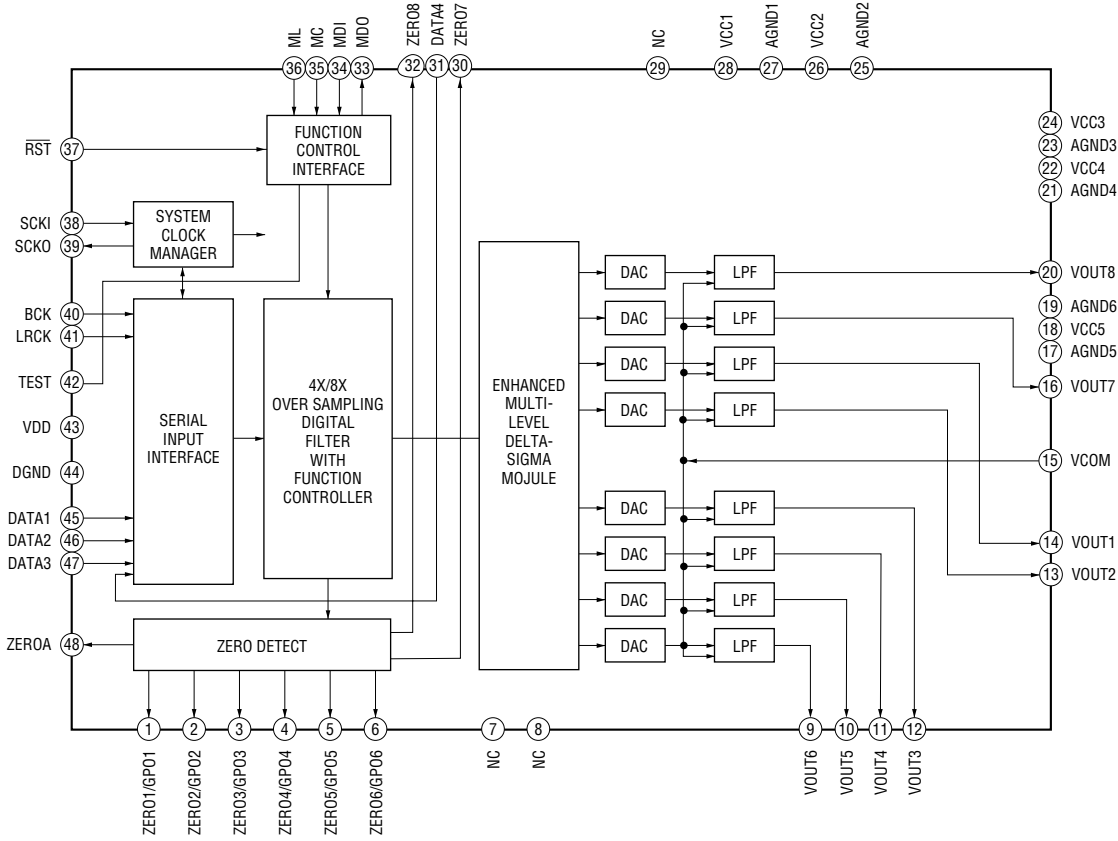


**IC2217 CS5340-CZZR**



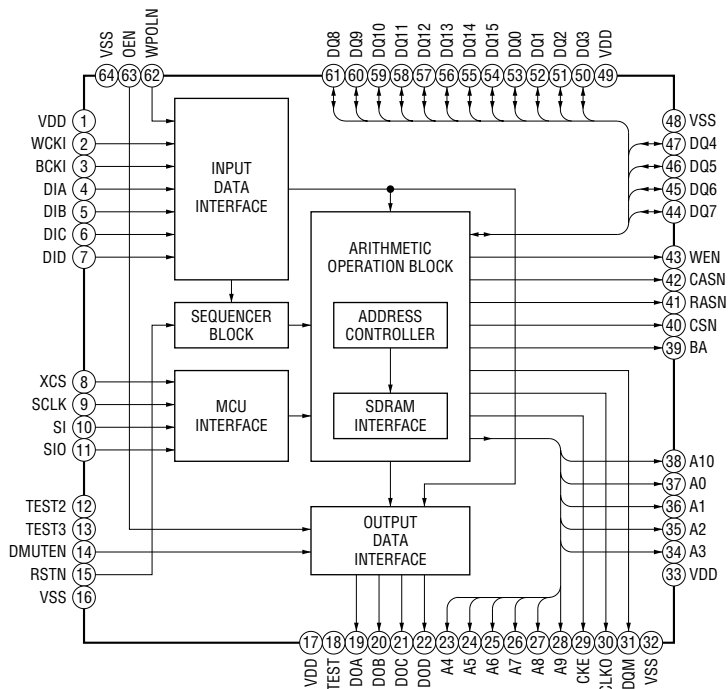
# STR-DA5300ES

## IC2218 PCM1609APT

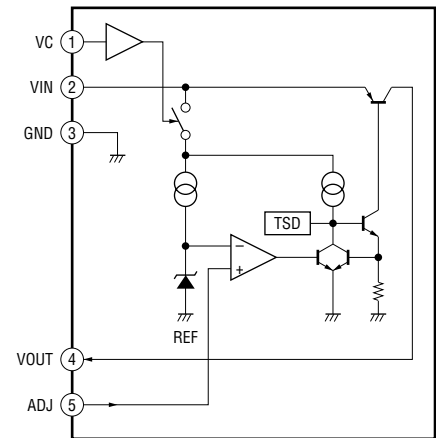


## - DSP Board -

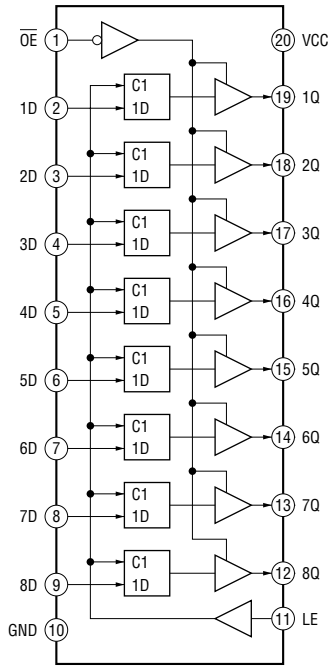
## IC2223 SM5921AF-G



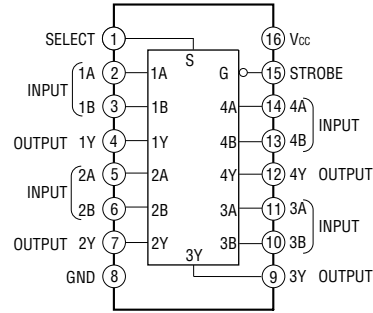
## IC5001, 5201 SI-3010KM-TL



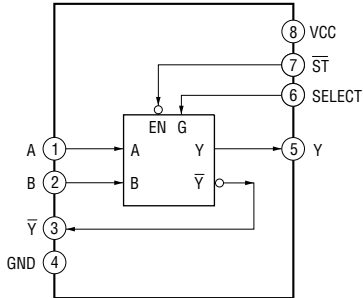
IC5009, 5010, 5209, 5210 SN74LVC573APWR



IC5013 TC74VHC157FT (EKJ)

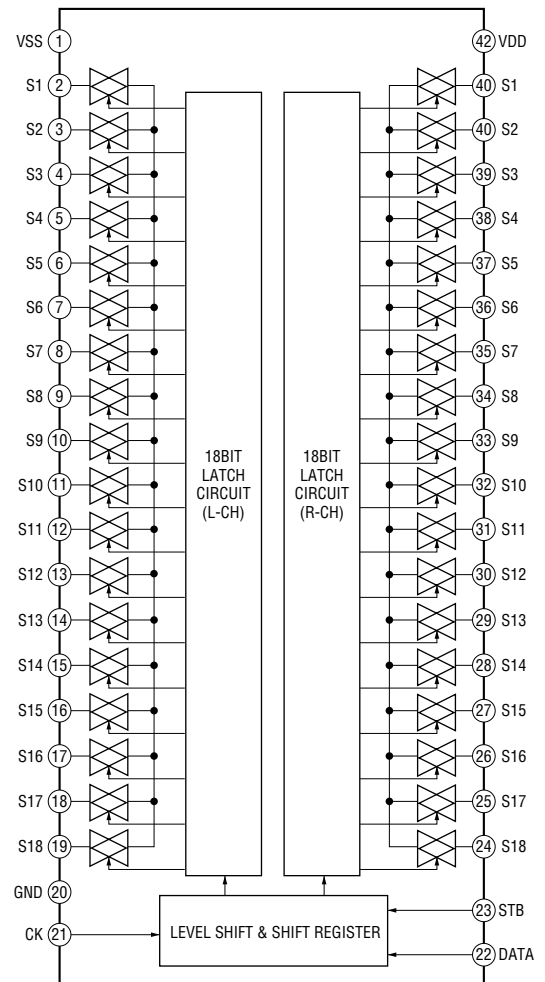


IC5212 TC7WH157FK (TE85R)



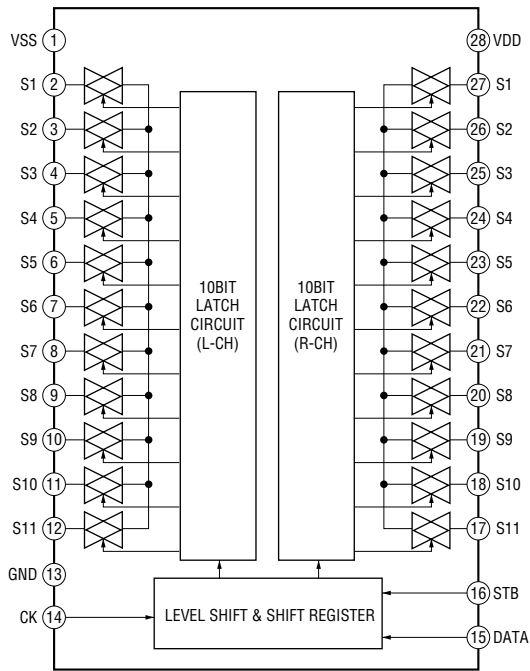
– ANALOG Board –

IC401, 501 TC9274CNG-015

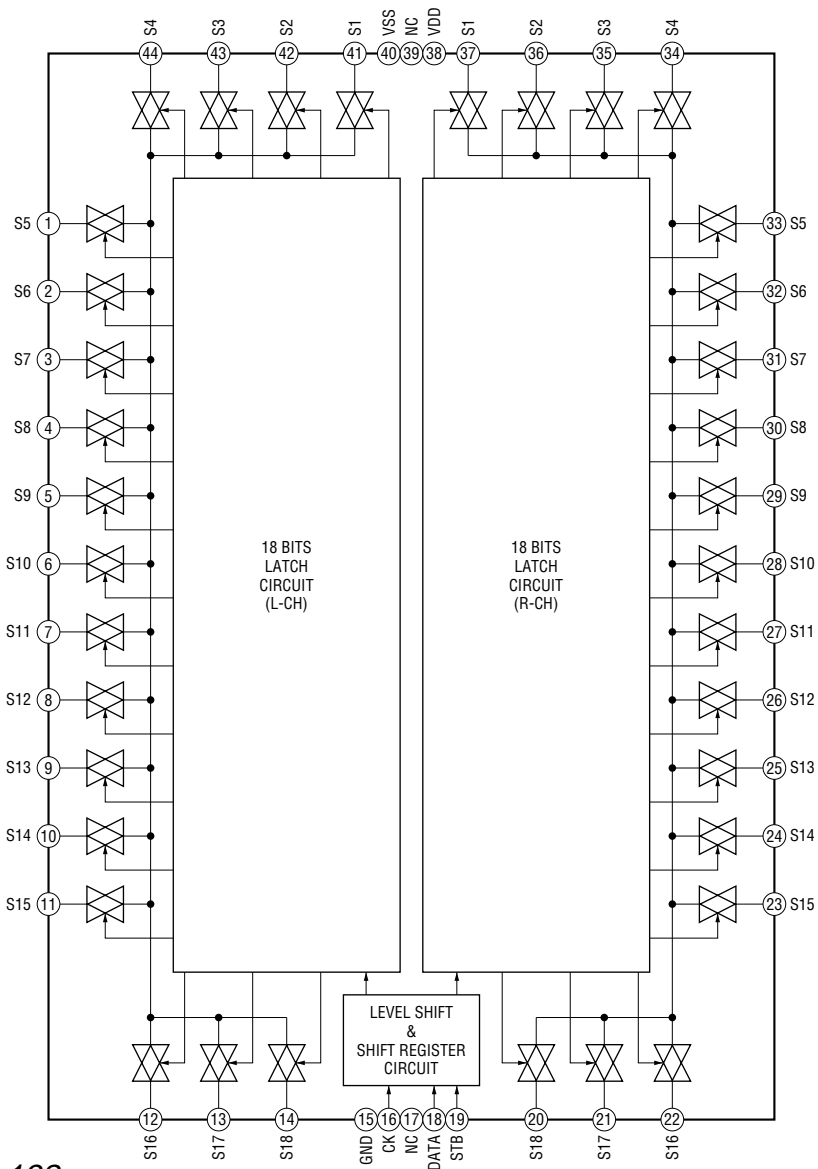


# STR-DA5300ES

## IC402 TC9273CFG-004

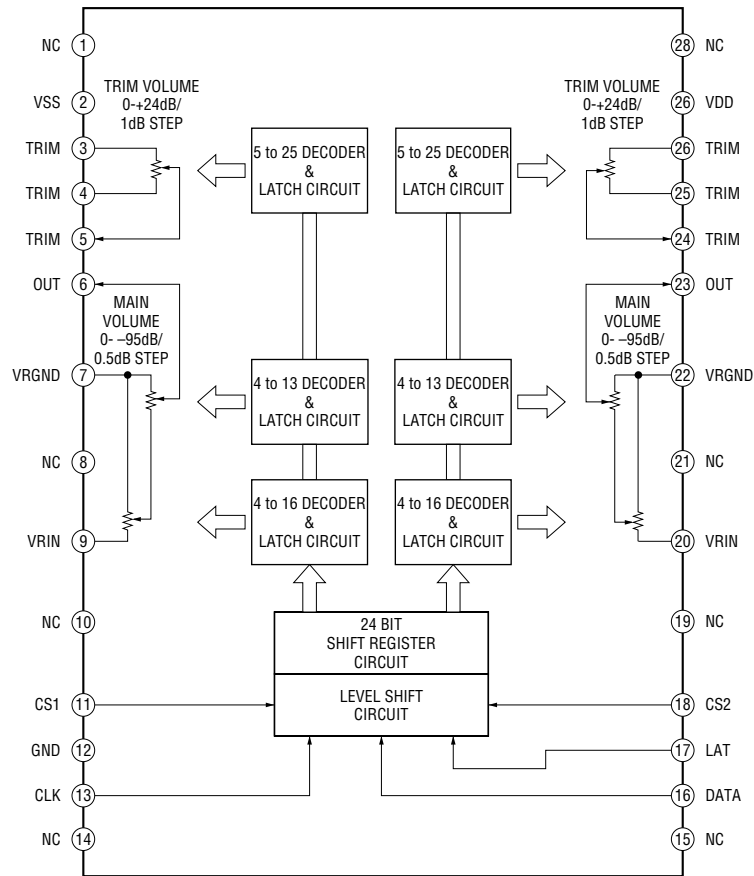


## IC600 TC9274CFG-016



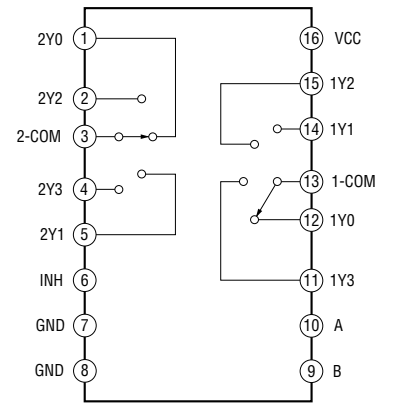
- E-VOL Board -

IC1203, 1213, 1223, 1233 CXD9725M-HFL

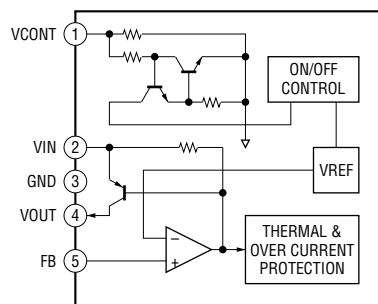


- D-VIDEO Board -

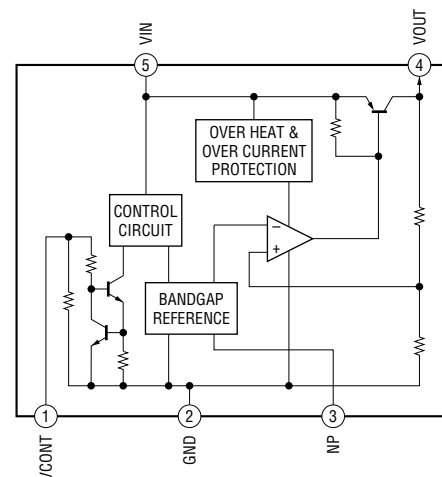
IC3508 SN74LV4052APWR



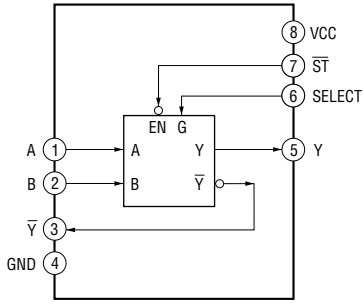
IC3514, 3517 TK73400AU3G0L-C



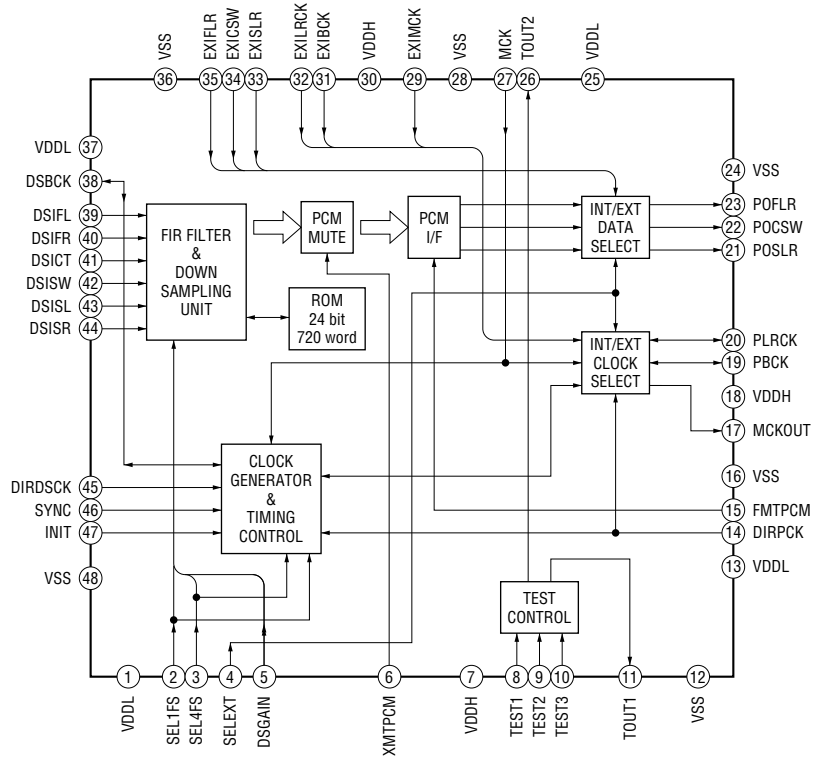
IC3516 TK11150CSCL-G  
IC3608 TK11118CSCL-G  
IC3852, 3855 TK11125CSCL-G



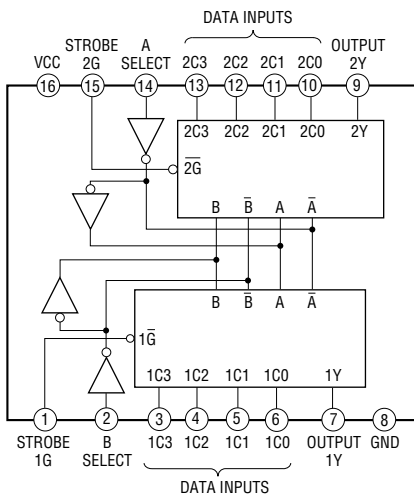
IC3518 TC7WH157FU (TE12R)



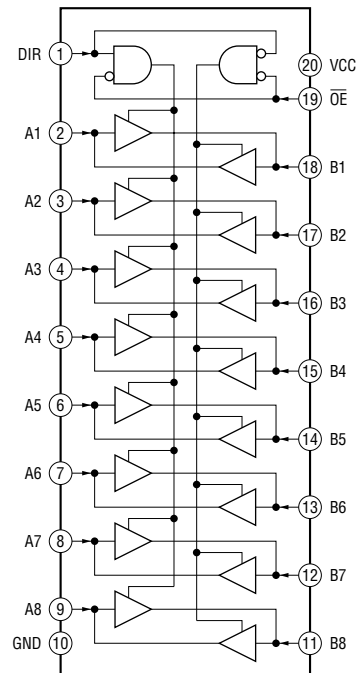
IC3519 CXD9850Q



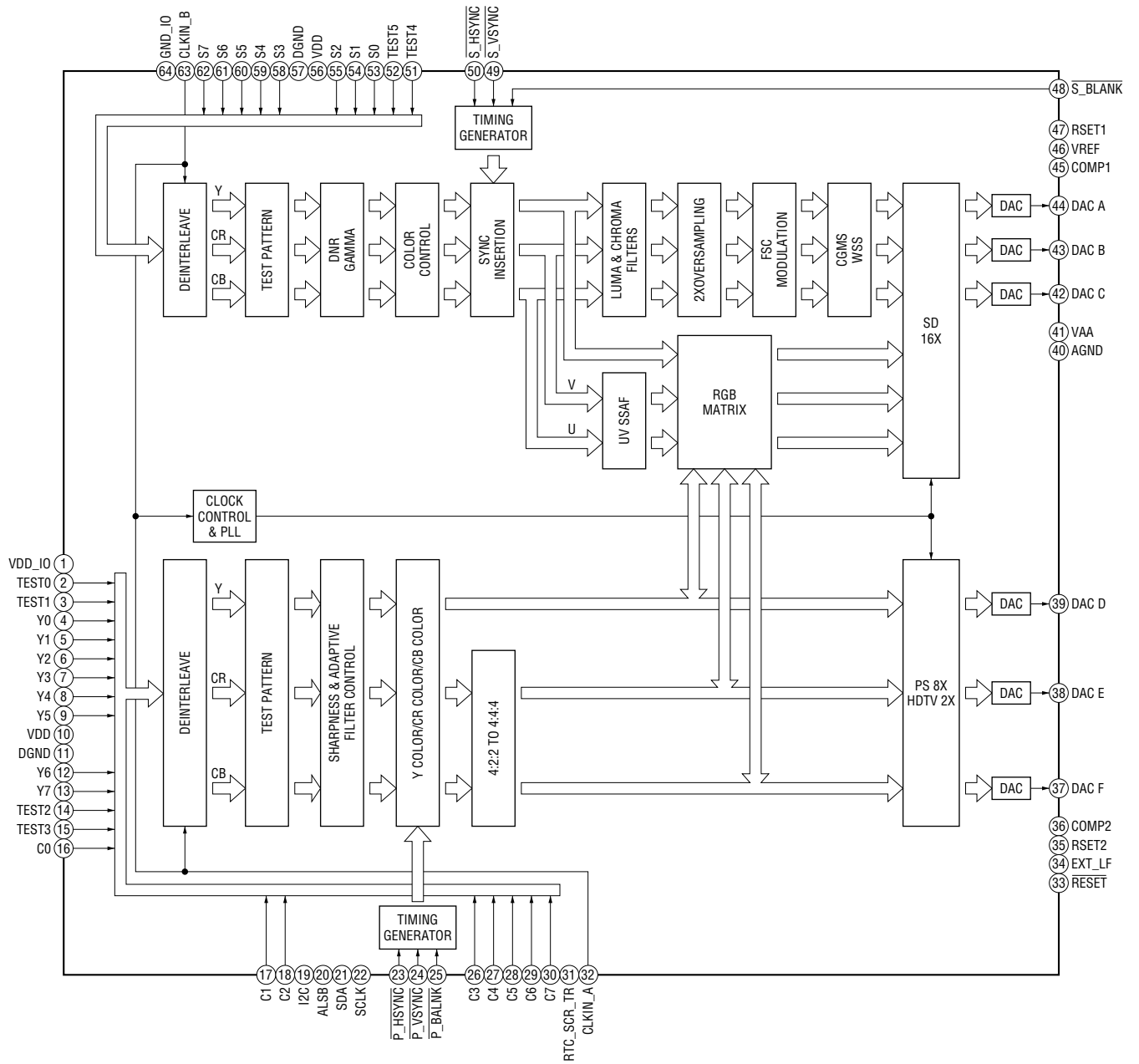
IC3520 – 3523 TC74VHC153FT (EL)



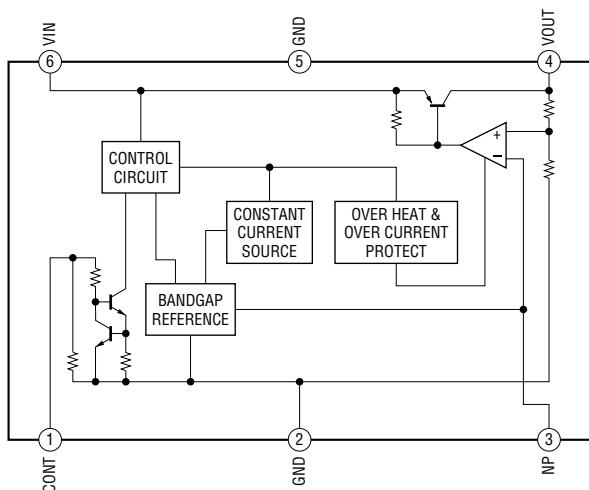
IC3619, 3620 TC74LCX245FK (EL)



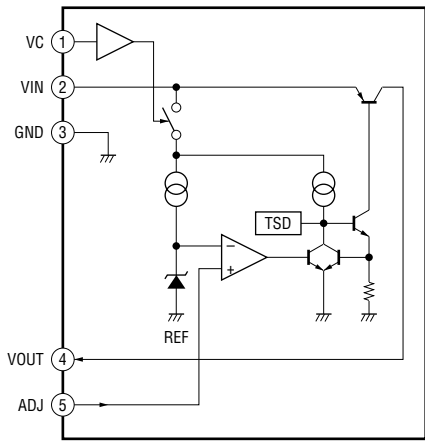
IC3850 ADV7322KSTZ



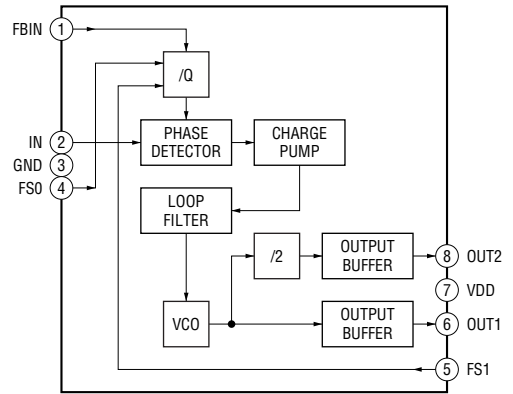
IC3851 TK11225CMCL-G



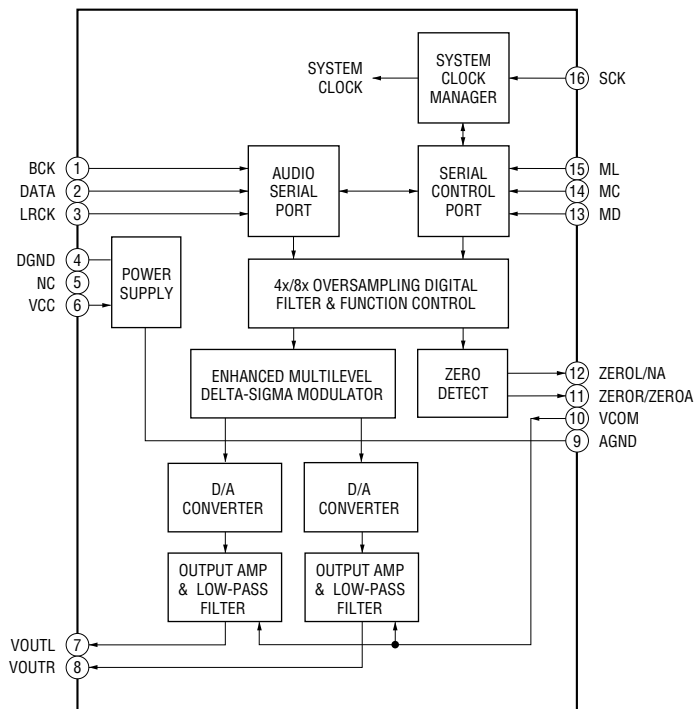
IC3853 SI-3010KM-TL



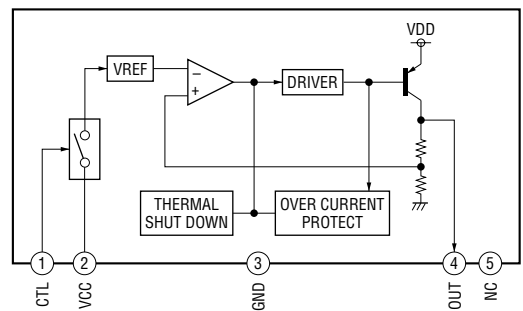
IC3854 CY2302-SXC-1T



IC3904 PCM1753DBQR



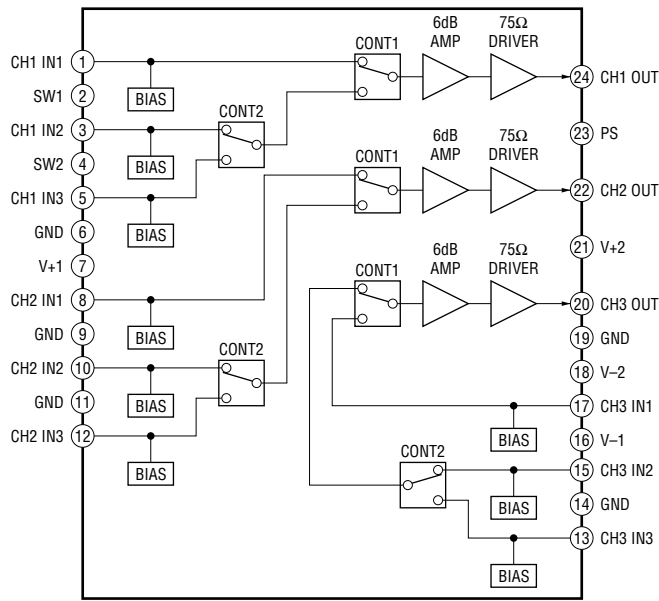
IC3905 BA00BC0WFP-E2



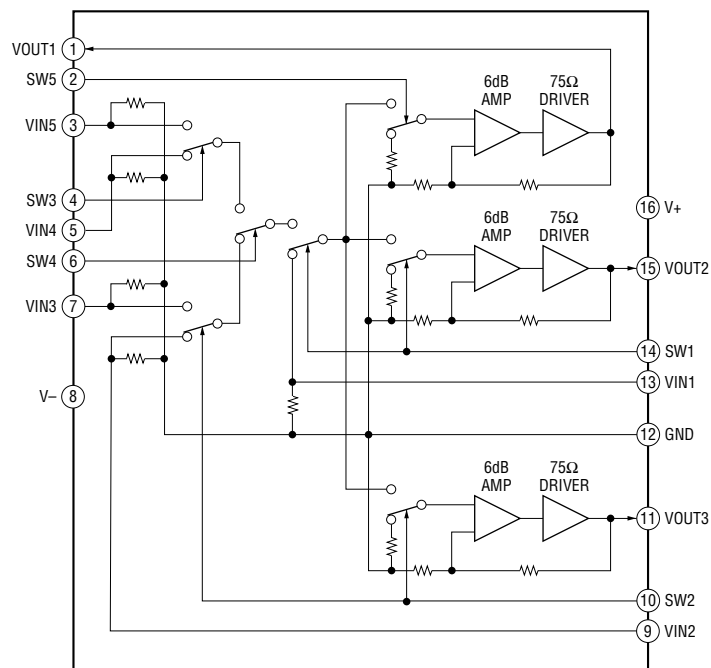


- A-VIDEO Board -

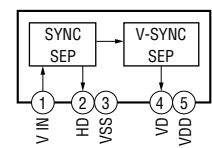
IC6001, 6521 NJM2586AM



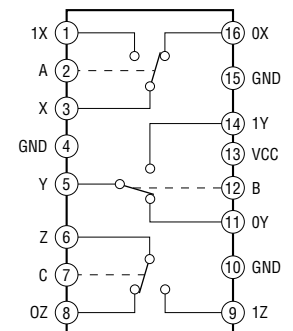
IC6201, 6202 NJM2595M-TE2



IC6302, 6509, 6520 LA7213

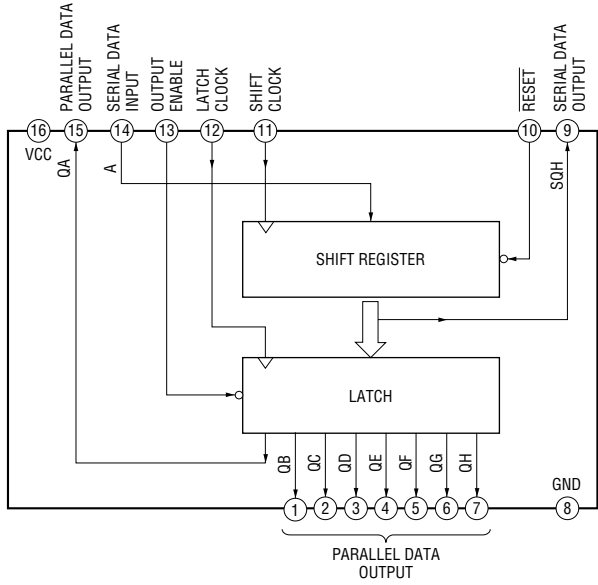


IC6306 NJM2283M-TE1

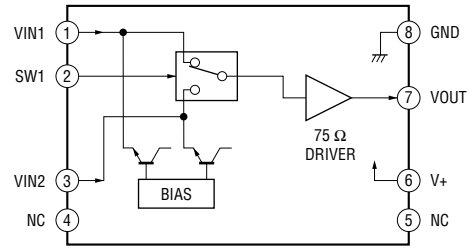


# STR-DA5300ES

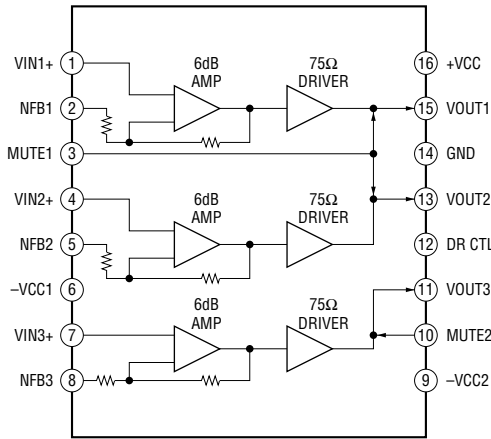
## IC6505, 6506, 6522 SN74HC595ANS



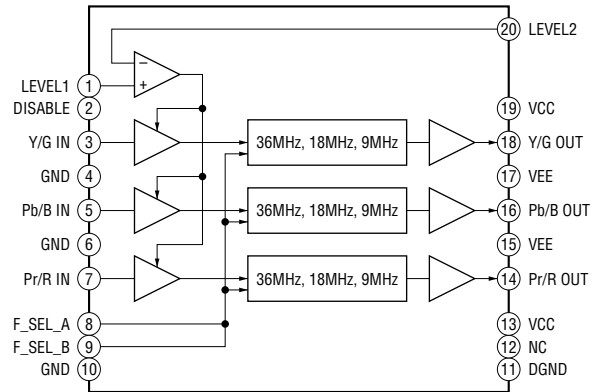
## IC6507, 6508 NJM2533M (TE2)



## IC6511 LA7106M-TLM

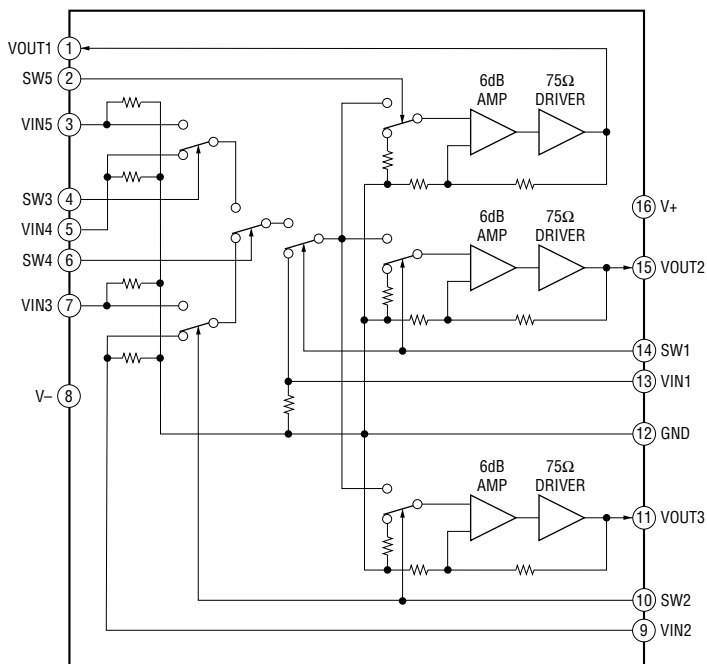


## IC6518 ADA4412-3ARQZ-RL



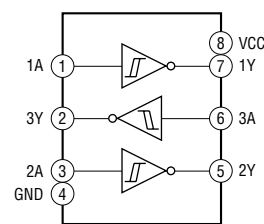
### - S-VIDEO Board -

## IC6901, 6902 NJM2595M-TE2

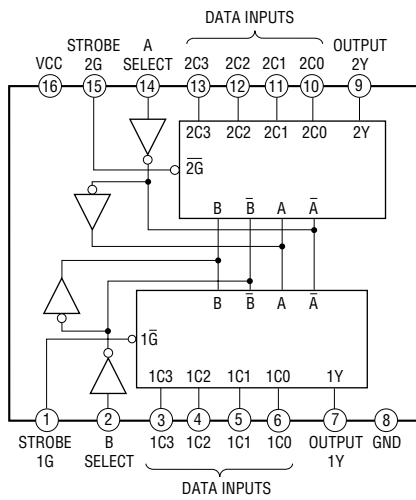


### - CONTROL Board -

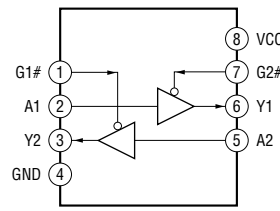
## IC2006, 2009 TC7W14FU (TE12R)



**IC2010 TC74VHC153FT (EL)**

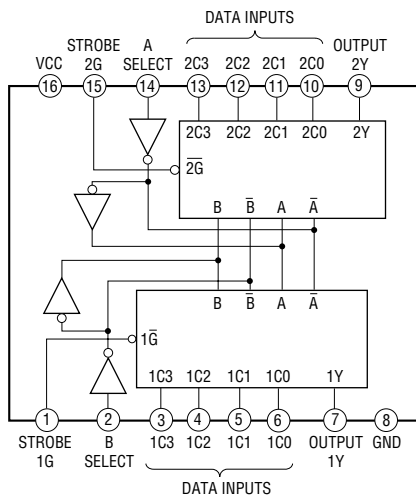


**IC2012 TC7WT125FU (TE12R)**

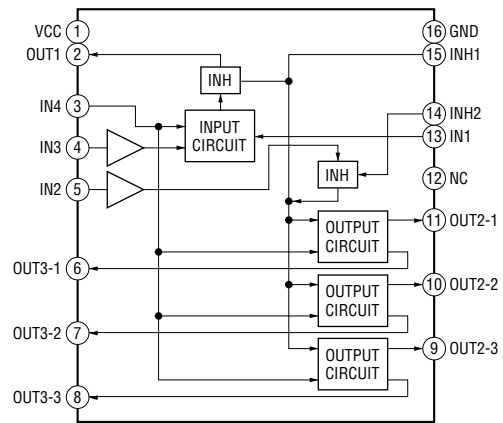


**- CIS Board -**

**IC802 TC7W53F (TE12R)**

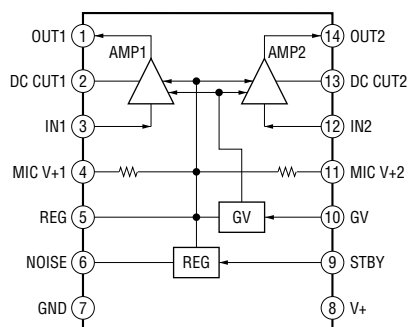


**IC861 NJM2145M-TE2**



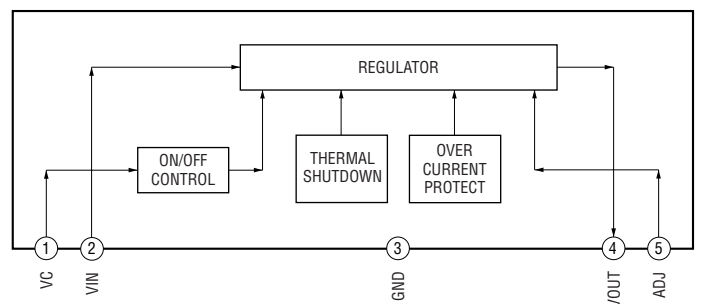
**- DISPLAY Board -**

**IC703 NJM2173AV (TE2)**



**- FLI-1.8REG Board -**

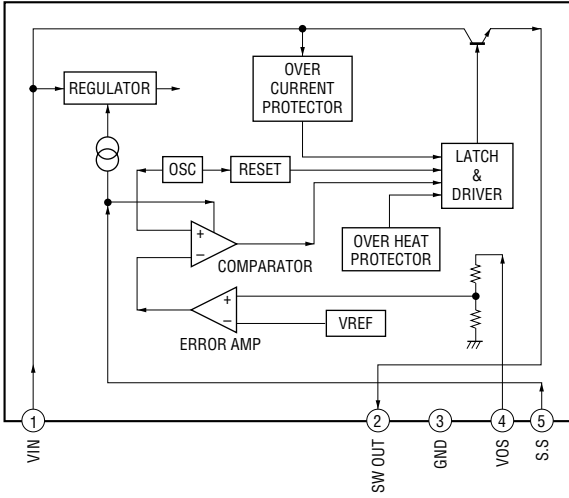
**IC3617 SI-3011ZFE**



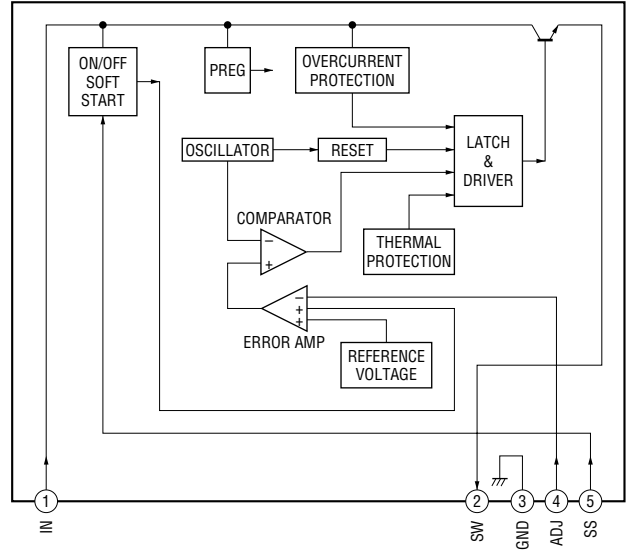
# STR-DA5300ES

– DC-DC Board –

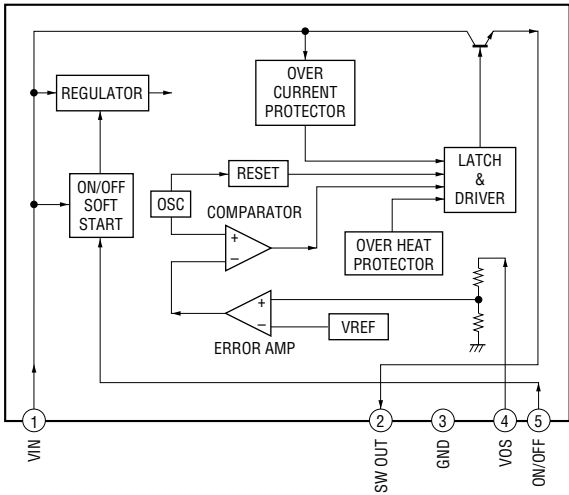
IC1401, 1404 SI-8050S-LF1101



IC1402, 1403 SI-8008HFE



IC1405 SI-8120JF



• IC Pin Function Description  
 DSP BOARD IC5002 ADSST-AVR-1132 (DSP1)

Pin No.	Pin Name	I/O	Description
A1	CLKCFG0	I	Clock frequency setting terminal
A2	XTAL	O	System clock output terminal (12.288 MHz)
A3	TMS	-	Not used
A4	TCK	-	Not used
A5	TDI	-	Not used
A6	CLKOUT	-	Not used
A7	TDO	-	Not used
A8	$\overline{\text{EMU}}$	-	Not used
A9	MOSI	I	Serial data input from the DSP controller
A10	$\overline{\text{MISO}}$	O	Serial data output to the DSP controller
A11	$\overline{\text{SPIDS}}$	I	Serial data latch pulse signal input from the DSP controller
A12	VDDINT	-	Power supply terminal (+1.2V)
A13, A14	GND	-	Ground terminal
B1	CLKCFG1	I	Clock frequency setting terminal
B2	GND	-	Ground terminal
B3	VDDEXT	-	Power supply terminal (+3.3V)
B4	CLKIN	I	System clock input terminal (12.288 MHz)
B5	$\overline{\text{TRST}}$	-	Not used
B6	AVSS	-	Ground terminal
B7	AVDD	-	Power supply terminal (+1.2V)
B8	VDDEXT	-	Power supply terminal (+3.3V)
B9	SPICLK	I	Serial data transfer clock signal input from the DSP controller
B10	$\overline{\text{RESET}}$	I	Reset signal input from the DSP controller "L": reset
B11	VDDINT	-	Power supply terminal (+1.2V)
B12 to B14	GND	-	Ground terminal
C1, C2	BOOTCFG1, BOOTCFG0	I	Boot mode setting signal input from the DSP controller
C3, C12, C13	GND	-	Ground terminal
C14, D1	VDDINT	-	Power supply terminal (+1.2V)
D2, D4 to D6, D9 to D11, D13	GND	-	Ground terminal
D14, E1	VDDINT	-	Power supply terminal (+1.2V)
E2, E4 to E6, E9 to E11, E13	GND	-	Ground terminal
E14	P_ERROR	O	PLL lock error signal and data error flag output to the DSP2 and DSP controller
F1	FLAG1	I	Audio muting control signal input from the digital audio interface receiver, video system controller or HDMI receiver
F2	FLAG0	O	Interrupt request signal output to the DSP controller
F4 to F6, F9 to F11	GND	-	Ground terminal
F13	NONAUDIO	I	PCM audio data input from the digital audio interface receiver or video system controller
F14	DPFSCK	I	Master clock signal input from the digital audio interface receiver, digital audio processor, HDMI receiver or XM receiver
G1	AD7	I/O	Two-way data bus with S-RAM and flash memory and address signal output to the address latch
G2	VDDINT	-	Power supply terminal (+1.2V)
G13	VDDEXT	-	Power supply terminal (+3.3V)

Pin No.	Pin Name	I/O	Description
G14	DPBCK	I	Bit clock signal input for PCM audio input from the digital audio interface receiver, digital audio processor, HDMI receiver or XM receiver
H1	AD6	I/O	Two-way data bus with S-RAM and flash memory and address signal output to the address latch
H2	VDDEXT	-	Power supply terminal (+3.3V)
H13	DPLRCK	I	L/R sampling clock signal input for PCM audio input from the digital audio interface receiver, digital audio processor, HDMI receiver or XM receiver
H14	DPDV BCK	O	Bit clock signal output for PCM audio output to the DSP2
J1, J2	AD5, AD4	I/O	Two-way data bus with S-RAM and flash memory and address signal output to the address latch
J4 to J6, J9 to J11	GND	-	Ground terminal
J13	VDDINT	-	Power supply terminal (+1.2V)
J14	DPDVL RCK	O	L/R sampling clock signal output for PCM audio output to the DSP2
K1	AD3	I/O	Two-way data bus with S-RAM and flash memory and address signal output to the address latch
K2	VDDINT	-	Power supply terminal (+1.2V)
K4 to K6, K9 to K11, K13	GND	-	Ground terminal
K14	DPSIE	I	PCM audio signal (surround back L/R) input from the HDMI receiver
L1, L2	AD2, AD1	I/O	Two-way data bus with S-RAM and flash memory and address signal output to the address latch
L4 to L6, L9 to L11, L13	GND	-	Ground terminal
L14	DPSID	I	PCM audio signal (center, sub woofer) input from the HDMI receiver
M1	AD0	I/O	Two-way data bus with S-RAM and flash memory and address signal output to the address latch
M2	$\overline{\text{WR}}$	O	Data write enable signal output to the S-RAM and flash memory
M3, M12	GND	-	Ground terminal
M13	DPSIB	I	PCM audio signal (front L/R) input from the A/D converter, digital audio processor, HDMI receiver or XM receiver
M14	DPSIC	I	PCM audio signal (surround L/R) input from the HDMI receiver or digital audio processor
N1	AD15	O	Address signal output to the S-RAM and flash memory
N2	ALE	O	Address latch enable signal output terminal
N3	$\overline{\text{RD}}$	O	Data read enable signal output to the S-RAM and flash memory
N4	VDDINT	-	Power supply terminal (+1.2V)
N5	VDDEXT	-	Power supply terminal (+3.3V)
N6	AD8	O	Address signal output to the S-RAM, flash memory and address latch
N7	VDDINT	-	Power supply terminal (+1.2V)
N8	DAI_P2	-	Not used
N9	VDDEXT	-	Power supply terminal (+3.3V)
N10	DAI_P4	-	Not used
N11, N12	VDDINT	-	Power supply terminal (+1.2V)
N13	GND	-	Ground terminal
N14	DPSOE	O	PCM audio signal output to the DSP2
P1 to P6	AD14 to AD9	O	Address signal output to the S-RAM, flash memory and address latch
P7, P8, P9	DAI_P1, DAI_P3, DAI_P5	-	Not used
P10	DPSOA	O	PCM audio signal (front L/R) output to the DSP2
P11	DPSOB	O	PCM audio signal (surround L/R) output to the DSP2
P12	DPSOC	O	PCM audio signal (center, sub woofer) output to the DSP2
P13	DPSOD	O	PCM audio signal (surround back L/R) output to the DSP2
P14	DPSIA	I	PCM audio signal (digital input) input from the digital audio interface receiver

## DSP BOARD IC5202 ADSST-AVR-1131 (DSP2)

Pin No.	Pin Name	I/O	Description
A1	CLKCFG0	I	Clock frequency setting terminal
A2	XTAL	O	System clock output terminal (25 MHz)
A3	TMS	-	Not used
A4	TCK	-	Not used
A5	TDI	-	Not used
A6	CLKOUT	-	Not used
A7	TDO	-	Not used
A8	EMU	-	Not used
A9	MOSI	I/O	When DSP2 is master: Serial data output to the serial flash When DSP2 is slave: Serial data input from the DSP controller
A10	MISO	I/O	When DSP2 is master: Serial data input from the serial flash When DSP2 is slave: Serial data output to the DSP controller
A11	SPIDS	I	Serial data latch pulse signal input from the DSP controller
A12	VDDINT	-	Power supply terminal (+1.2V)
A13, A14	GND	-	Ground terminal
B1	CLKCFG1	I	Clock frequency setting terminal
B2	GND	-	Ground terminal
B3	VDDEXT	-	Power supply terminal (+3.3V)
B4	CLKIN	I	System clock input terminal (25 MHz)
B5	TRST	-	Not used
B6	AVSS	-	Ground terminal
B7	AVDD	-	Power supply terminal (+1.2V)
B8	VDDEXT	-	Power supply terminal (+3.3V)
B9	SPICLK	I/O	When DSP2 is master: Serial data transfer clock signal input from the DSP controller When DSP2 is slave: Serial data transfer clock signal output to the serial flash
B10	RESET	I	Reset signal input from the DSP controller "L": reset
B11	VDDINT	-	Power supply terminal (+1.2V)
B12 to B14	GND	-	Ground terminal
C1, C2	BOOTCFG1, BOOTCFG0	I	Boot mode setting signal input from the DSP controller
C3, C12, C13	GND	-	Ground terminal
C14, D1	VDDINT	-	Power supply terminal (+1.2V)
D2, D4 to D6, D9 to D11, D13	GND	-	Ground terminal
D14, E1	VDDINT	-	Power supply terminal (+1.2V)
E2, E4 to E6, E9 to E11, E13	GND	-	Ground terminal
E14	SF2_DSP2_CE	O	Chip enable signal output to the serial flash
F1	FLAG1	I	Audio muting control signal input from the digital audio interface receiver, video system controller or HDMI receiver
F2	FLAG0	O	Interrupt request signal output to the DSP controller
F4 to F6, F9 to F11	GND	-	Ground terminal
F13	P_ERROR	I	PLL lock error signal and data error flag input from the DSP1

Pin No.	Pin Name	I/O	Description
F14	DPFSCK	I	Master clock signal input from the digital audio interface receiver, digital audio processor, HDMI receiver or XM receiver
G1	AD7	I/O	Two-way data bus with S-RAM and address signal output to the address latch
G2	VDDINT	-	Power supply terminal (+1.2V)
G13	VDDEXT	-	Power supply terminal (+3.3V)
G14	DPBCK	I	Bit clock signal input for PCM audio input from the DSP1, digital audio interface receiver, digital audio processor, HDMI receiver or XM receiver
H1	AD6	I/O	Two-way data bus with S-RAM and address signal output to the address latch
H2	VDDEXT	-	Power supply terminal (+3.3V)
H13	DPLRCK	I	L/R sampling clock signal input for PCM audio input from the DSP1, digital audio interface receiver, digital audio processor, HDMI receiver or XM receiver
H14	DPDV BCK	O	Bit clock signal output for PCM audio output to the lip sync adjust and D/A converter
J1, J2	AD5, AD4	I/O	Two-way data bus with S-RAM and address signal output to the address latch
J4 to J6, J9 to J11	GND	-	Ground terminal
J13	VDDINT	-	Power supply terminal (+1.2V)
J14	DPDVL RCK	O	L/R sampling clock signal output for PCM audio output to the lip sync adjust and D/A converter
K1	AD3	I/O	Two-way data bus with S-RAM and address signal output to the address latch
K2	VDDINT	-	Power supply terminal (+1.2V)
K4 to K6, K9 to K11, K13	GND	-	Ground terminal
K14	DPSIE	I	PCM audio signal (surround back L/R) input from the DSP1
L1, L2	AD2, AD1	I/O	Two-way data bus with S-RAM and address signal output to the address latch
L4 to L6, L9 to L11, L13	GND	-	Ground terminal
L14	DPSID	I	PCM audio signal (center, sub woofer) input from the DSP1
M1	AD0	I/O	Two-way data bus with S-RAM and address signal output to the address latch
M2	$\overline{\text{WR}}$	O	Data write enable signal output to the S-RAM
M3, M12	GND	-	Ground terminal
M13	DPSIB	I	PCM audio signal (front L/R) input from the A/D converter, digital audio processor, HDMI receiver, XM receiver or DSP1
M14	DPSIC	I	PCM audio signal (surround L/R) input from the DSP1
N1	AD15	O	Address signal output to the S-RAM and address latch
N2	ALE	O	Address latch enable signal output terminal
N3	$\overline{\text{RD}}$	O	Data read enable signal output to the S-RAM
N4	VDDINT	-	Power supply terminal (+1.2V)
N5	VDDEXT	-	Power supply terminal (+3.3V)
N6	AD8	O	Address signal output to the S-RAM and address latch
N7	VDDINT	-	Power supply terminal (+1.2V)
N8	DAI_P2	-	Not used
N9	VDDEXT	-	Power supply terminal (+3.3V)
N10	DAI_P4	-	Not used
N11, N12	VDDINT	-	Power supply terminal (+1.2V)
N13	GND	-	Ground terminal
N14	DPSOE	O	PCM audio signal output terminal Not used
P1 to P6	AD14 to AD9	O	Address signal output to the S-RAM and address latch
P7	DAI_P1	O	Address signal output to the S-RAM



Pin No.	Pin Name	I/O	Description
P8	DAI_P3	-	Not used
P9	SF2_DSP2_MAS	O	Master/slave selection signal output terminal
P10	DPSOA	O	PCM audio signal (front L/R) output to the lip sync adjust
P11	DPSOB	O	PCM audio signal (surround L/R) output to the lip sync adjust
P12	DPSOC	O	PCM audio signal (center, sub woofer) output to the lip sync adjust
P13	DPSOD	O	PCM audio signal (surround back L/R) output to the lip sync adjust
P14	DPSIA	I	PCM audio signal (digital input) input from the DSP1

## DSP BOARD IC5208 MB91F353APMT-07A53DSP-X103 (DSP CONTROLLER)

Pin No.	Pin Name	I/O	Description
1	RDATA0	I	Audio serial data input from the digital audio interface receiver
2 to 8	-	-	Not used
9	DSP2_SIB_SEL	O	Data selection signal output to the data selector
10	P_ERROR	I	PLL lock error signal and data error flag input from the DSP1
11	DSP1_SPIDS	O	Serial data latch pulse signal output to the DSP1
12	DSP1_RESET	O	Reset signal output to the DSP1 and flash memory "L": reset
13, 14	DSP1_BOOTCFG0, DSP1_BOOTCFG1	O	Boot mode setting signal output to the DSP1
15, 16	-	-	Not used
17	SF2_DSP2_MAS	I	Master/slave selection signal input from the DSP2
18, 19	-	-	Not used
20	SF2_CPU_CE	O	Chip enable signal output to the serial flash
21	DSP2_SPIDS	O	Serial data latch pulse signal output to the DSP2
22	DSP2_RESET	O	Reset signal output to the DSP2 "L": reset
23, 24	-	-	Not used
25, 26	DSP2_BOOTCFG0, DSP2_BOOTCFG1	O	Boot mode setting signal output to the DSP2
27 to 35	-	-	Not used
36	DRST_TRG	I	Programming end flag input from the system controller
37 to 39	-	-	Not used
40	VSS	-	Ground terminal
41, 42	-	-	Not used
43	VSS	-	Ground terminal
44	VCC	-	Power supply terminal (+3.3V)
45 to 47	-	-	Not used
48	$\overline{\text{RD}}$	-	Not used
49	$\overline{\text{WR0}}$	-	Not used
50, 51	-	-	Not used
52	MD2	I	Programming mode signal input from the system controller
53, 54	MD1, MD0	I	Programming mode signal input terminal Not used
55	XRESET	I	Reset signal input from the system controller "L": reset
56	VCC	-	Power supply terminal (+3.3V)
57	XOUT	O	System clock output terminal (12.5 MHz)
58	XIN	I	System clock input terminal (12.5 MHz)
59	VSS	-	Ground terminal
60 to 62	-	-	Not used
63	MD_BUSY	I	Busy signal input from the system controller
64	DM_BUSY	O	Busy signal output to the system controller
65	DM_INT	O	Interrupt request signal output terminal Not used
66 to 69	-	-	Not used
70, 71	PN0, PN2	-	Not used
72 to 75	-	-	Not used
76	VSS	-	Ground terminal

Pin No.	Pin Name	I/O	Description
77	VCC	-	Power supply terminal (+3.3V)
78 to 80	-	-	Not used
81	INT0	-	Not used
82	MD_INT	I	Interrupt request signal input from the system controller
83	DSP1_INT	I	Interrupt request signal input from the DSP1
84	DSP2_INT	I	Interrupt request signal input from the DSP2
85, 86	INT4, INT5	-	Not used
87, 88	-	-	Not used
89	MD_DATA	I	Serial data input from the system controller
90	DM_DATA	O	Serial data output to the system controller
91	SCK0	-	Not used
92	DSP1_MISO	I	Serial data input from the DSP1
93	DSP1_MOSI	O	Serial data output to the DSP1
94	DSP1_SPICLK	O	Serial data transfer clock signal output to the DSP1
95	VCC	-	Power supply terminal (+3.3V)
96	VSS	-	Ground terminal
97, 98	-	-	Not used
99	DSP2_MISO	I	Serial data input from the DSP2 or serial flash
100	DSP2_MOSI	O	Serial data output to the DSP2 or serial flash
101	DSP2_SPICLK	O	Serial data transfer clock signal output to the DSP2 or serial flash
102	SI3	I	Serial data input terminal
103	SO3	O	Serial data output terminal
104	SCK3	-	Not used
105, 106	-	-	Not used
107	DAVS	-	Ground terminal
108	DAVC	-	Power supply terminal (+3.3V)
109	AVCC	-	Power supply terminal (+3.3V)
110	AVRH	I	Reference voltage input terminal (+3.3V)
111	AVSS	-	Ground terminal
112	VSS	-	Ground terminal
113, 114	KEY0, KEY1	-	Not used
115 to 120	-	-	Not used

## D-VIDEO BOARD IC3503, 3504 SII9185CTU (HDMI INPUT SELECT)

Pin No.	Pin Name	I/O	Description
1	TX2+	O	TMDS data (positive) output to the HDMI receiver
2	TX2-	O	TMDS data (negative) output to the HDMI receiver
3	AGND	-	Ground terminal
4	TX1+	O	TMDS data (positive) output to the HDMI receiver
5	TX1-	O	TMDS data (negative) output to the HDMI receiver
6	AVCC18	-	Power supply terminal (+1.8V)
7	TX0+	O	TMDS data (positive) output to the HDMI receiver
8	TX0-	O	TMDS data (negative) output to the HDMI receiver
9	AGND	-	Ground terminal
10	TXC+	O	TMDS clock (positive) output to the HDMI receiver
11	TXC-	O	TMDS clock (negative) output to the HDMI receiver
12	EXTSWING	-	Not used
13	RESET#	I	Reset signal input from the video system controller "L": reset
14	LSDA/EPSEL[0]	I/O	I2C two-way data bus with the video system controller, EEPROM, HDMI receiver, HDMI transceiver and D/A converter
15	LSCL/EPSEL[1]	I	I2C clock signal input from the video system controller
16	HPD0	O	Hot plug detection signal output to the HDMI ASSIGNABLE (INPUT ONLY) IN jack
17	AVCC18	-	Power supply terminal (+1.8V)
18	R0XC-	I	TMDS clock signal (negative) input from the HDMI ASSIGNABLE (INPUT ONLY) IN jack
19	R0XC+	I	TMDS clock signal (positive) input from the HDMI ASSIGNABLE (INPUT ONLY) IN jack
20	AGND	-	Ground terminal
21	R0X0-	I	TMDS data (negative) input from the HDMI ASSIGNABLE (INPUT ONLY) IN jack
22	R0X0+	I	TMDS data (positive) input from the HDMI ASSIGNABLE (INPUT ONLY) IN jack
23	AVCC33	-	Power supply terminal (+3.3V)
24	R0X1-	I	TMDS data (negative) input from the HDMI ASSIGNABLE (INPUT ONLY) IN jack
25	R0X1+	I	TMDS data (positive) input from the HDMI ASSIGNABLE (INPUT ONLY) IN jack
26	AGND	-	Ground terminal
27	R0X2-	I	TMDS data (negative) input from the HDMI ASSIGNABLE (INPUT ONLY) IN jack
28	R0X2+	I	TMDS data (positive) input from the HDMI ASSIGNABLE (INPUT ONLY) IN jack
29	AVCC18	-	Power supply terminal (+1.8V)
30	DSDA0	I/O	I2C two-way data bus with the HDMI ASSIGNABLE (INPUT ONLY) IN jack
31	DSCL0	I	I2C clock signal input from the HDMI ASSIGNABLE (INPUT ONLY) IN jack
32	RPWR0	I	Power supply voltage (+5V) input from the HDMI ASSIGNABLE (INPUT ONLY) IN jack
33	DVCC18	-	Power supply terminal (+1.8V)
34	DGND	-	Ground terminal
35	I2CSEL/INT	-	Not used
36	HPD1	O	Hot plug detection signal output to the HDMI ASSIGNABLE (INPUT ONLY) IN jack
37	AVCC18	-	Power supply terminal (+1.8V)
38	R1XC-	I	TMDS clock signal (negative) input from the HDMI ASSIGNABLE (INPUT ONLY) IN jack
39	R1XC+	I	TMDS clock signal (positive) input from the HDMI ASSIGNABLE (INPUT ONLY) IN jack
40	AGND	-	Ground terminal
41	R1X0-	I	TMDS data (negative) input from the HDMI ASSIGNABLE (INPUT ONLY) IN jack
42	R1X0+	I	TMDS data (positive) input from the HDMI ASSIGNABLE (INPUT ONLY) IN jack
43	AVCC33	-	Power supply terminal (+3.3V)
44	R1X1-	I	TMDS data (negative) input from the HDMI ASSIGNABLE (INPUT ONLY) IN jack
45	R1X1+	I	TMDS data (positive) input from the HDMI ASSIGNABLE (INPUT ONLY) IN jack

Pin No.	Pin Name	I/O	Description
46	AGND	-	Ground terminal
47	R1X2-	I	TMDS data (negative) input from the HDMI ASSIGNABLE (INPUT ONLY) IN jack
48	R1X2+	I	TMDS data (positive) input from the HDMI ASSIGNABLE (INPUT ONLY) IN jack
49	AVCC18	-	Power supply terminal (+1.8V)
50	DSDA1	I/O	I2C two-way data bus with the HDMI ASSIGNABLE (INPUT ONLY) IN jack
51	DSCL1	I	I2C clock signal input from the HDMI ASSIGNABLE (INPUT ONLY) IN jack
52	RPWR1	I	Power supply voltage (+5V) input from the HDMI ASSIGNABLE (INPUT ONLY) IN jack
53, 54	CEC_D, CEC_A	-	Not used
55	AVCC33	-	Power supply terminal (+3.3V)
56	HPD2	O	Hot plug detection signal output to the HDMI ASSIGNABLE (INPUT ONLY) IN jack
57	AVCC18	-	Power supply terminal (+1.8V)
58	R2XC-	I	TMDS clock signal (negative) input from the HDMI ASSIGNABLE (INPUT ONLY) IN jack
59	R2XC+	I	TMDS clock signal (positive) input from the HDMI ASSIGNABLE (INPUT ONLY) IN jack
60	AGND	-	Ground terminal
61	R2X0-	I	TMDS data (negative) input from the HDMI ASSIGNABLE (INPUT ONLY) IN jack
62	R2X0+	I	TMDS data (positive) input from the HDMI ASSIGNABLE (INPUT ONLY) IN jack
63	AVCC33	-	Power supply terminal (+3.3V)
64	R2X1-	I	TMDS data (negative) input from the HDMI ASSIGNABLE (INPUT ONLY) IN jack
65	R2X1+	I	TMDS data (positive) input from the HDMI ASSIGNABLE (INPUT ONLY) IN jack
66	AGND	-	Ground terminal
67	R2X2-	I	TMDS data (negative) input from the HDMI ASSIGNABLE (INPUT ONLY) IN jack
68	R2X2+	I	TMDS data (positive) input from the HDMI ASSIGNABLE (INPUT ONLY) IN jack
69	AVCC18	-	Power supply terminal (+1.8V)
70	DSDA2	I/O	I2C two-way data bus with the HDMI ASSIGNABLE (INPUT ONLY) IN jack
71	DSCL2	I	I2C clock signal input from the HDMI ASSIGNABLE (INPUT ONLY) IN jack
72	RPWR2	I	Power supply voltage (+5V) input from the HDMI ASSIGNABLE (INPUT ONLY) IN jack
73	DVCC18	-	Power supply terminal (+1.8V)
74	DGND	-	Ground terminal
75	RSVDL	-	Not used
76	HPDIN	I	Hot plug detection signal input from the video system controller
77	TSDA	I/O	I2C two-way data bus with the EEPROM and HDMI receiver
78	TSCL	O	I2C clock signal output to the EEPROM and HDMI receiver
79	TPWR/I2CADDR	O	Power supply voltage (+5V) output to the HDMI receiver
80	AGND	-	Ground terminal

## D-VIDEO BOARD IC3511 SII9135CTU (HDMI RECEIVER)

Pin No.	Pin Name	I/O	Description
1 to 3	Q10 to Q8	O	Serial data output to the HDMI transceiver and video processor
4	IOGND	-	Ground terminal
5	ODCK	O	Output data clock signal output to the HDMI transceiver, video processor and D/A converter
6	IOVCC33	-	Power supply terminal (+3.3V)
7 to 10	Q7 to Q4	O	Serial data output to the HDMI transceiver and video processor
11	CGND	-	Ground terminal
12	CVCC18	-	Power supply terminal (+1.8V)
13 to 16	Q3 to Q0	O	Serial data output to the HDMI transceiver
17	IOGND	-	Ground terminal
18	IOVCC33	-	Power supply terminal (+3.3V)
19	DE	O	Data enable signal output to the HDMI transceiver, video processor and D/A converter
20	HSYNC	O	Horizontal sync signal output to the HDMI transceiver, video processor and D/A converter
21	VSYSN	O	Vertical sync signal output to the HDMI transceiver, video processor and D/A converter
22	EVNODD	-	Not used
23	CGND	-	Ground terminal
24, 25	CVCC18	-	Power supply terminal (+1.8V)
26	CSDA	I/O	I2C two-way data bus with the EEPROM, HDMI input select, HDMI transceiver, video system controller and D/A converter
27	CSCL	I	I2C clock signal input from the video system controller
28	DSDA1	I/O	I2C two-way data bus with the HDMI input select and EEPROM
29	DSCL1	I	I2C clock signal input from the HDMI input select
30	R1PWR5V	I	Power supply voltage (+5V) input from the HDMI input select
31	IOGND	-	Ground terminal
32	IOVCC33	-	Power supply terminal (+3.3V)
33	DSDA0	I/O	I2C two-way data bus with the HDMI input select and EEPROM
34	DSCL0	I	I2C clock signal input from the HDMI input select
35	R0PWR5V	I	Power supply voltage (+5V) input from the HDMI input select
36	AGND	-	Ground terminal
37	AVCC18	-	Power supply terminal (+1.8V)
38	AVCC33	-	Power supply terminal (+3.3V)
39	R0XC-	I	TMDS clock (negative) signal input from the HDMI input select
40	R0XC+	I	TMDS clock (positive) signal input from the HDMI input select
41	AGND	-	Ground terminal
42	AVCC33	-	Power supply terminal (+3.3V)
43	R0X0-	I	TMDS data (negative) input from the HDMI input select
44	R0X0+	I	TMDS data (positive) input from the HDMI input select
45	AGND	-	Ground terminal
46	AVCC33	-	Power supply terminal (+3.3V)
47	R0X1-	I	TMDS data (negative) input from the HDMI input select
48	R0X1+	I	TMDS data (positive) input from the HDMI input select
49	AGND	-	Ground terminal
50	AVCC33	-	Power supply terminal (+3.3V)
51	R0X2-	I	TMDS data (negative) input from the HDMI input select
52	R0X2+	I	TMDS data (positive) input from the HDMI input select
53	AGND	-	Ground terminal
54	AVCC18	-	Power supply terminal (+1.8V)

Pin No.	Pin Name	I/O	Description
55	RSVDNC	-	Not used
56	AVCC33	-	Power supply terminal (+3.3V)
57	R1XC-	I	TMDS clock (negative) signal input from the HDMI input select
58	R1XC+	I	TMDS clock (positive) signal input from the HDMI input select
59	AGND	-	Ground terminal
60	AVCC33	-	Power supply terminal (+3.3V)
61	R1X0-	I	TMDS data (negative) input from the HDMI input select
62	R1X0+	I	TMDS data (positive) input from the HDMI input select
63	AGND	-	Ground terminal
64	AVCC33	-	Power supply terminal (+3.3V)
65	R1X1-	I	TMDS data (negative) input from the HDMI input select
66	R1X1+	I	TMDS data (positive) input from the HDMI input select
67	AGND	-	Ground terminal
68	AVCC33	-	Power supply terminal (+3.3V)
69	R1X2-	I	TMDS data (negative) input from the HDMI input select
70	R1X2+	I	TMDS data (positive) input from the HDMI input select
71	AGND	-	Ground terminal
72	AVCC18	-	Power supply terminal (+1.8V)
73	IOGND	-	Ground terminal
74	IOVCC33	-	Power supply terminal (+3.3V)
75	MUTEOUT	O	Audio muting control signal output terminal
76, 77	RSVDNC	-	Not used
78	SPDIF	O	S/PDIF signal output to the digital audio interface receiver and HDMI transceiver
79	CGND	-	Ground terminal
80	CVCC18	-	Power supply terminal (+1.8V)
81	SD0	O	PCM audio signal output to the DSP1, DSP2 and HDMI transceiver
82 to 84	SD1 to SD3	O	PCM audio signal output to the DSP1 and HDMI transceiver
85	WS	O	L/R sampling clock signal output to the DSP1, DSP2 and HDMI transceiver
86	SCK	O	Bit clock signal output to the DSP1, DSP2 and HDMI transceiver
87	IOGND	-	Ground terminal
88	IOVCC33	-	Power supply terminal (+3.3V)
89	MCLK	O	Master clock signal output to the DSP1, DSP2 and HDMI transceiver
90	CGND	-	Ground terminal
91	CVCC18	-	Power supply terminal (+1.8V)
92	DVCC18	-	Power supply terminal (+1.8V)
93	DGND2	-	Ground terminal
94	XTALOUT	O	System clock output terminal (28.322 MHz)
95	XTALIN	I	System clock input terminal (28.322 MHz)
96	XTALVCC	-	Power supply terminal (+3.3V)
97	REGVCC	-	Power supply terminal (+3.3V)
98	RSVDNC	-	Not used
99	RSVDL	-	Not used
100	RESET#	I	Reset signal input from the video system controller "L": reset
101	SCDT	-	Not used
102	INT	O	Interrupt signal output to the video system controller
103	IOGND	-	Ground terminal
104	IOVCC33	-	Power supply terminal (+3.3V)

Pin No.	Pin Name	I/O	Description
105	CI2CA	-	Not used
106	CGND	-	Ground terminal
107	CVCC18	-	Power supply terminal (+1.8V)
108 to 111	Q35 to Q32	O	Serial data output to the HDMI transceiver, video processor and D/A converter
112	I0GND	-	Ground terminal
113	I0VCC33	-	Power supply terminal (+3.3V)
114 to 117	Q31 to Q28	O	Serial data output to the HDMI transceiver, video processor and D/A converter
118	CGND	-	Ground terminal
119	CVCC18	-	Power supply terminal (+1.8V)
120 to 123	Q27 to Q24	O	Serial data output to the HDMI transceiver
124	I0GND	-	Ground terminal
125	I0VCC33	-	Power supply terminal (+3.3V)
126 to 129	Q23 to Q20	O	Serial data output to the HDMI transceiver, video processor and D/A converter
130	CGND	-	Ground terminal
131	CVCC	-	Power supply terminal (+1.8V)
132 to 135	Q19 to Q16	O	Serial data output to the HDMI transceiver, video processor and D/A converter
136	I0GND	-	Ground terminal
137	I0VCC33	-	Power supply terminal (+3.3V)
138 to 141	Q15 to Q12	O	Serial data output to the HDMI transceiver
142	CGND	-	Ground terminal
143	CVCC18	-	Power supply terminal (+1.8V)
144	Q11	O	Serial data output to the HDMI transceiver and video processor



## D-VIDEO BOARD IC3513 SII9134CTU (HDMI TRANSCEIVER)

Pin No.	Pin Name	I/O	Description
1	DE	I	Data enable signal input from the HDMI receiver
2	HSYNC	I	Horizontal sync signal input from the HDMI receiver
3	VSYNC	I	Vertical sync signal input from the HDMI receiver
4	SPDIF	I	S/PDIF signal input from the HDMI receiver
5	MCLK	I	Master clock signal input from the HDMI receiver
6 to 9	SD3 to SD0	I	PCM audio signal input from the HDMI receiver
10	WS	I	L/R sampling clock signal input from the HDMI receiver
11	SCK	I	Bit clock signal input from the HDMI receiver
12	CVCC18	-	Power supply terminal (+1.8V)
13	GND	-	Ground terminal
14	IOVCC33	-	Power supply terminal (+3.3V)
15	DCLK	I	Bit clock signal input from the HDMI receiver
16	DR0	I	L/R sampling clock signal input from the HDMI receiver
17 to 20	DL0, DR1, DL1, DR2	I	PCM audio signal input from the HDMI receiver
21	DL2	I	S/PDIF signal input from the HDMI receiver
22, 23	DR3, DL3	-	Not used
24	INT	O	Interrupt signal output to the video system controller
25	RESET#	I	Reset signal input from the video system controller "L": reset
26	AGND	-	Ground terminal
27	EXT_SWG	-	Not used
28	PVCC1	-	Power supply terminal (+1.8V)
29	AGND	-	Ground terminal
30	TXC-	O	TMDS clock (negative) output to the HDMI ASSIGNABLE (INPUT ONLY) OUT jack
31	TXC+	O	TMDS clock (positive) output to the HDMI ASSIGNABLE (INPUT ONLY) OUT jack
32	AVCC18	-	Power supply terminal (+1.8V)
33	TX0-	O	TMDS data (negative) output to the HDMI ASSIGNABLE (INPUT ONLY) OUT jack
34	TX0+	O	TMDS data (positive) output to the HDMI ASSIGNABLE (INPUT ONLY) OUT jack
35	AGND	-	Ground terminal
36	TX1-	O	TMDS data (negative) output to the HDMI ASSIGNABLE (INPUT ONLY) OUT jack
37	TX1+	O	TMDS data (positive) output to the HDMI ASSIGNABLE (INPUT ONLY) OUT jack
38	AVCC18	-	Power supply terminal (+1.8V)
39	TX2-	O	TMDS data (negative) output to the HDMI ASSIGNABLE (INPUT ONLY) OUT jack
40	TX2+	O	TMDS data (positive) output to the HDMI ASSIGNABLE (INPUT ONLY) OUT jack
41	AGND	-	Ground terminal
42	PVCC2	-	Power supply terminal (+1.8V)
43	AGND	-	Ground terminal
44	AVCC33	-	Power supply terminal (+3.3V)
45	DCCPWR5V	I	Power supply voltage (+5V) input terminal
46	DSCL	O	I2C clock signal output to the HDMI ASSIGNABLE (INPUT ONLY) OUT jack
47	DSDA	I/O	I2C two-way data bus with the HDMI ASSIGNABLE (INPUT ONLY) OUT jack
48	CSCL	I	I2C clock signal input from the video system controller
49	CSDA	I/O	I2C two-way data bus with the EEPROM, HDMI input select, HDMI receiver, video system controller and D/A converter
50	CI2CA	-	Not used
51	HPD	I	Hot plug detection signal input from the HDMI ASSIGNABLE (INPUT ONLY) OUT jack
52	TMODE	-	Not used

Pin No.	Pin Name	I/O	Description
53	IOVCC33	-	Power supply terminal (+3.3V)
54	GND	-	Ground terminal
55	VPP18	-	Power supply terminal (+1.8V)
56 to 63	D35 to D28	I	Serial data input from the HDMI receiver and video processor
64	CVCC18	-	Power supply terminal (+1.8V)
65	GND	-	Ground terminal
66	IOVCC33	-	Power supply terminal (+3.3V)
67 to 70	D27 to D24	I	Serial data input from the HDMI receiver
71 to 75	D23 to D19	I	Serial data input from the HDMI receiver and video processor
76	CVCC18	-	Power supply terminal (+1.8V)
77 to 79	D18 to D16	I	Serial data input from the HDMI receiver and video processor
80 to 83	D15 to D12	I	Serial data input from the HDMI receiver
84 to 86	D11 to D9	I	Serial data input from the HDMI receiver and video processor
87	GND	-	Ground terminal
88	IDCK	I	Output data clock signal input from the HDMI receiver
89	IOVCC33	-	Power supply terminal (+3.3V)
90 to 94	D8 to D4	I	Serial data input from the HDMI receiver and video processor
95 to 98	D3 to D0	I	Serial data input from the HDMI receiver
99	CVCC18	-	Power supply terminal (+1.8V)
100	GND	-	Ground terminal

## D-VIDEO BOARD IC3601 FLI8668-LF-BC (VIDEO PROCESSOR)

Pin No.	Pin Name	I/O	Description
A1	NC	-	Not used
A2	MSTR1_SDA	O	Power detection signal output to the video system controller
A3	MSTR1_SCL	I	Busy signal input from the video system controller
A4, A5	FSDATA1, FSDATA3	I/O	Two-way data bus with the SD-RAM
A6	FSDQM0	O	Lower data mask signal output to the SD-RAM
A7 to A10	FSDATA5, FSDATA7, FSDATA9, FSDATA11	I/O	Two-way data bus with the SD-RAM
A11	FSDQM1	O	Upper data mask signal output to the SD-RAM
A12, A13	FSDATA13, FSDATA15	I/O	Two-way data bus with the SD-RAM
A14	VDDA18_DLL	-	Power supply terminal (+1.8V)
A15, A16	FSDATA17, FSDATA19	I/O	Two-way data bus with the SD-RAM
A17	FSDQS2	O	Upper data strobe signal output to the SD-RAM
A18 to A21	FSDATA21, FSDATA23, FSDATA25, FSDATA27	I/O	Two-way data bus with the SD-RAM
A22	FSDQS3	O	Lower data strobe signal output to the SD-RAM
A23, A24	FSDATA29, FSDATA31	I/O	Two-way data bus with the SD-RAM
A25, A26	RPLL_AGND	-	Ground terminal
B1	BDATA0	I	Digital video signal (B) input from the OSD controller
B2	OCM_UDO_1	O	UART communication transfer data output to the video system controller
B3	OCM_UDI_1	I	UART communication transfer data input from the video system controller
B4, B5	FSDATA0, FSDATA2	I/O	Two-way data bus with the SD-RAM
B6	FSDQS0	O	Upper data strobe signal output to the SD-RAM
B7 to B10	FSDATA4, FSDATA6, FSDATA8, FSDATA10	I/O	Two-way data bus with the SD-RAM
B11	FSDQS1	O	Lower data strobe signal output to the SD-RAM
B12, B13	FSDATA12, FSDATA14	I/O	Two-way data bus with the SD-RAM
B14	VSSA18_DLL	-	Ground terminal
B15, B16	FSDATA16, FSDATA18	I/O	Two-way data bus with the SD-RAM
B17	FSDQM2	O	Lower data mask signal output to the SD-RAM
B18 to B21	FSDATA20, FSDATA22, FSDATA24, FSDATA26	I/O	Two-way data bus with the SD-RAM
B22	FSDQM3	O	Upper data mask signal output to the SD-RAM
B23, B24	FSDATA28, FSDATA30	I/O	Two-way data bus with the SD-RAM

Pin No.	Pin Name	I/O	Description
B25	RPLL_DGND	-	Ground terminal
B26	XTAL	O	System clock output terminal (19.6608 MHz)
C1 to C3	BDATA3 to BDATA1	I	Digital video signal (B) input from the OSD controller
C4	FSCKE	O	Clock enable signal output to the SD-RAM
C5	FSCLKN	O	Clock signal (negative) output to the SD-RAM
C6 to C8	FSADDR8 to FSADDR6	O	Address signal output to the SD-RAM
C9	FSVREF	O	Reference voltage output to the SD-RAM
C10 to C18	FSADDR5, FSADDR12, FSADDR9, FSADDR4, FSADDR11, FSADDR3 to FSADDR0	O	Address signal output to the SD-RAM
C19	FSVREF	O	Reference voltage output to the SD-RAM
C20, C21	FSBKSEL1, FSBKSEL0	O	Bank select signal output to the SD-RAM
C22	FSCS1	O	Chip select signal output terminal Not used
C23	FSWE	O	Write enable signal output to the SD-RAM
C24	FSRAS	O	Row address strobe signal output to the SD-RAM
C25	RPLL_1.8V	-	Power supply terminal (+1.8V)
C26	TCLK	I	System clock input terminal (19.6608 MHz)
D1	BDATA6	I	Digital video signal input terminal Not used
D2, D3	BDATA5, BDATA4	I	Digital video signal (B) input from the OSD controller
D4	DDR_2.5V	-	Power supply terminal (+2.5V)
D5	FSCLKP	O	Clock signal (positive) output to the SD-RAM
D6 to D8	DDR_2.5V	-	Power supply terminal (+2.5V)
D9	FSVREFVSS	-	Ground terminal
D10 to D15	DDR_2.5V	-	Power supply terminal (+2.5V)
D16	FSADDR10	O	Address signal output to the SD-RAM
D17, D18	DDR_2.5V	-	Power supply terminal (+2.5V)
D19	FSVREFVSS	-	Ground terminal
D20	DDR_2.5V	-	Power supply terminal (+2.5V)
D21	FSCS0	O	Chip select signal output to the SD-RAM
D22, D23	DDR_2.5V	-	Power supply terminal (+2.5V)
D24	FSCAS	O	Column address strobe signal output to the SD-RAM
D25	NC	-	Not used
D26	RPLL_3.3V	-	Power supply terminal (+3.3V)
E1, E2	BDATA9, BDATA8	I	Digital video signal (G) input from the OSD controller
E3	BDATA7	I	Digital video signal input terminal Not used
E4	IO_3.3V	-	Power supply terminal (+3.3V)
E23, E24	PD22, PD23	I/O	Serial data input from the HDMI receiver and serial data output to the HDMI transceiver and D/A converter
E25	LVDS_GND	-	Ground terminal
E26	LVDS_3.3V	-	Power supply terminal (+3.3V)

Pin No.	Pin Name	I/O	Description
F1 to F3	BDATA12 to BDATA10	I	Digital video signal (G) input from the OSD controller
F4	IO_3.3V	-	Power supply terminal (+3.3V)
F23 to F26	PD18 to PD21	I/O	Serial data input from the HDMI receiver and serial data output to the HDMI transceiver and D/A converter
G1, G2	BDATA15, BDATA14	I	Digital video signal input terminal Not used
G3	BDATA13	I	Digital video signal (G) input from the OSD controller
G4	IO_3.3V	-	Power supply terminal (+3.3V)
G23 to G26	PD14 to PD17	I/O	Serial data input from the HDMI receiver and serial data output to the HDMI transceiver and D/A converter
H1 to H3	BDATA18 to BDATA16	I	Digital video signal (R) input from the OSD controller
H4	IO_3.3V	-	Power supply terminal (+3.3V)
H23	LVDS_PLL_GND	-	Ground terminal
H24	LVDS_PLL_3.3V	-	Power supply terminal (+3.3V)
H25	LVDS_GND	-	Ground terminal
H26	LVDS_3.3V	-	Power supply terminal (+3.3V)
J1 to J3	BDATA21 to BDATA19	I	Digital video signal (R) input from the OSD controller
J4	IO_3.3V	-	Power supply terminal (+3.3V)
J23, J24	PD12, PD13	I/O	Serial data input from the HDMI receiver and serial data output to the HDMI transceiver and D/A converter
J25	LVDS_GND	-	Ground terminal
J26	LVDS_3.3V	-	Power supply terminal (+3.3V)
K1	BHREF_DE	I	Blanking period signal input from the OSD controller
K2, K3	BDATA23, BDATA22	I	Digital video signal input terminal Not used
K4	IO_3.3V	-	Power supply terminal (+3.3V)
K10, K11	CORE_1.8V	-	Power supply terminal (+1.8V)
K12 to K15	D_GND	-	Ground terminal
K16, K17	CORE_1.8V	-	Power supply terminal (+1.8V)
K23 to K26	PD8 to PD11	I/O	Serial data input from the HDMI receiver and serial data output to the HDMI transceiver and D/A converter
L1	IPCLK3	I	Clock signal input terminal Not used
L2	BVS	I	Vertical sync signal input from the OSD controller
L3	BHS	I	Horizontal sync signal input from the OSD controller
L4	IO_3.3V	-	Power supply terminal (+3.3V)
L10	D_GND	-	Ground terminal
L11	CORE_1.8V	-	Power supply terminal (+1.8V)
L12 to L15	D_GND	-	Ground terminal
L16	CORE_1.8V	-	Power supply terminal (+1.8V)
L17	D_GND	-	Ground terminal
L23 to L26	PD4 to PD7	I/O	Serial data input from the HDMI receiver and serial data output to the HDMI transceiver
M1	DIP_CLEAN_HS_OUT	O	Horizontal sync signal output terminal Not used
M2	DIP_EXT_CLAMP	-	Not used

Pin No.	Pin Name	I/O	Description
M3	DIP_EXT_COAST	-	Not used
M4	IPCLK2	I	Dot clock signal input from the OSD controller
M10 to M17	D_GND	-	Ground terminal
M23	IO_3.3V	-	Power supply terminal (+3.3V)
M24, M25	LVDS_GND	-	Ground terminal
M26	LVDS_3.3V	-	Power supply terminal (+3.3V)
N1	IPCLK0	I	Clock signal input terminal Not used
N2	DIP_RAW_HS_CS	-	Not used
N3	DIP_AODD	-	Not used
N4	DIP_BODD	-	Not used
N10 to N17	D_GND	-	Ground terminal
N23 to N26	PD0 to PD3	I/O	Serial data input from the HDMI receiver and serial data output to the HDMI transceiver
P1 to P3	ADATA2 to ADATA0	-	Not used
P4	IPCLK1	I	Clock signal input terminal Not used
P10 to P17	D_GND	-	Ground terminal
P23	IO_3.3V	-	Power supply terminal (+3.3V)
P24	DCLK	I	Output data clock signal input from the HDMI receiver
P25	DHS	I	Horizontal sync signal input from the HDMI receiver
P26	DEN	I	Data enable signal input from the HDMI receiver
R1 to R4	ADATA6 to ADATA3	-	Not used
R10 to R17	D_GND	-	Ground terminal
R23	JTAG_BS_TDI	-	Not used
R24	JTAG_BS_RST	-	Not used
R25	JTAG_BS_TCK	-	Not used
R26	DVS	I	Vertical sync signal input from the HDMI receiver
T1 to T4	ADATA10 to ADATA7	-	Not used
T10	D_GND	-	Ground terminal
T11	CORE_1.8V	-	Power supply terminal (+1.8V)
T12 to T15	D_GND	-	Ground terminal
T16, T17	CORE_1.8V	-	Power supply terminal (+1.8V)
T23	IO_3.3V	-	Power supply terminal (+3.3V)
T24	JTAG_BS_TMS	-	Not used
T25	JTAG_BS_TDO	-	Not used
T26	GPIO_44	-	Not used
U1 to U4	ADATA14 to ADATA11	-	Not used
U10, U11	CORE_1.8V	-	Power supply terminal (+1.8V)
U12 to U15	D_GND	-	Ground terminal
U16, U17	CORE_1.8V	-	Power supply terminal (+1.8V)
U23, U24	PWM1, PWM2	-	Not used
U25	PPWR	-	Not used
U26	PBIAS	-	Not used
V1 to V4	ADATA18 to ADATA15	-	Not used

Pin No.	Pin Name	I/O	Description
V23	IO_3.3V	-	Power supply terminal (+3.3V)
V24	PWM0	-	Not used
V25	SLAVE_SDA	-	Not used
V26	SLAVE_SCL	-	Not used
W1 to W4	ADATA22 to ADATA19	-	Not used
W23	OCM_INT1	-	Not used
W24	OCM_TIMER1	-	Not used
W25	OCM_UDI_0	-	Not used
W26	ODM_UDO_0	-	Not used
Y1	AVS	-	Not used
Y2	AHS	-	Not used
Y3	AHREF_DE	-	Not used
Y4	ADATA23	-	Not used
Y23	IO_3.3V	-	Power supply terminal (+3.3V)
Y24	OCM_INT2	-	Not used
Y25	VGA1_SDA	-	Not used
Y26	VGA1_SCL	-	Not used
AA1	NC	-	Not used
AA2 to AA4	DGND_ADC	-	Ground terminal
AA23	MSTR0_SDA	I/O	Two-way data bus with the EEPROM
AA24	MSTR0_SCL	O	Serial clock signal output to the EEPROM
AA25	VGA0_SDA	-	Not used
AA26	VGA0_SCL	-	Not used
AB1	A1P	I	Video signal input (Pr/Cr) from the COMPONENT VIDEO ASSIGNABLE (INPUT ONLY) jack
AB2	SV1P	-	Not used
AB3	AGND_ADC	-	Ground terminal
AB4	ADC_1.8V	-	Power supply terminal (+1.8V)
AB23	IO_3.3V	-	Power supply terminal (+3.3V)
AB24	IRO	-	Not used
AB25	MSTR2_SDA	I/O	Not used
AB26	MSTR2_SCL	O	Not used
AC1	C1P	I	Video signal input (Y) from the COMPONENT VIDEO ASSIGNABLE (INPUT ONLY) jack
AC2	B1P	I	Video signal input (Pb/Cb) from the COMPONENT VIDEO ASSIGNABLE (INPUT ONLY) jack
AC3	AGND_ADC	-	Ground terminal
AC4, AC5	ADC_1.8V	-	Power supply terminal (+1.8V)
AC6	AGND_ADC	-	Ground terminal
AC7	VOUT2	-	Not used
AC8	AGND_ADC	-	Ground terminal
AC9	LBADC_3.3V	-	Power supply terminal (+3.3V)
AC10	LBADC_IN4	-	Not used
AC11	LBADC_GND	-	Ground terminal
AC12	AVSIN_DATA	-	Not used
AC13	EXTOSD_HS	-	Not used
AC14	IO_3.3V	-	Power supply terminal (+3.3V)
AC15	OCMADDR18	O	Address signal output to the flash memory
AC16	IO_3.3V	-	Power supply terminal (+3.3V)

Pin No.	Pin Name	I/O	Description
AC17	OCMADDR11	O	Address signal output to the flash memory
AC18	IO_3.3V	-	Power supply terminal (+3.3V)
AC19	OCMADDR4	O	Address signal output to the flash memory
AC20	IO_3.3V	-	Power supply terminal (+3.3V)
AC21	OCMDATA13	I/O	Two-way data bus with the flash memory
AC22	IO_3.3V	-	Power supply terminal (+3.3V)
AC23	OCMDATA6	I/O	Two-way data bus with the flash memory
AC24	OCM_CS2N	O	Chip select signal output terminal Not used
AC25	OCN_RE_N	O	Read enable signal output to the flash memory
AC26	OCN_WE_N	O	Write enable signal output to the flash memory
AD1	AN	-	Not used
AD2	AGND_ADC	-	Ground terminal
AD3 to AD5	ADC1_3.3V	-	Power supply terminal (+3.3V)
AD6, AD7	ADC2_3.3V	-	Power supply terminal (+3.3V)
AD8	AGND_ADC	-	Ground terminal
AD9	RESET	I	Reset signal input from the video system controller "L": reset
AD10	LBADC_IN3	-	Not used
AD11	LBADC_RETURN	-	Not used
AD12	AVSIN_WORDSEL	-	Not used
AD13	EXTOSD_VS	-	Not used
AD14	AVSOUT_DATA	-	Not used
AD15 to AD20	OCMADDR19, OCMADDR15, OCMADDR12, OCMADDR8, OCMADDR5, OCMADDR1	O	Address signal output to the flash memory
AD21 to AD23	OCMDATA14, OCMDATA10, OCMDATA7	I/O	Two-way data bus with the flash memory
AD24	ROM_CS_N	O	Chip enable signal output to the flash memory
AD25, AD26	OCM_CS0N, OCM_CS1N	O	Chip select signal output terminal Not used
AE1	SV2P	-	Not used
AE2	B2P	I	Video signal input (C) from the S VIDEO IN jack
AE3	AGND_ADC	-	Ground terminal
AE4	SV3P	-	Not used
AE5	B3P	I	Video signal input (camera) from the EXT VIDEO IN jack
AE6	AGND_ADC	-	Ground terminal
AE7	SV4P	-	Not used
AE8	BN2	-	Not used
AE9	AGND_ADC	-	Ground terminal
AE10, AE11	LBADC_IN2, LBADC_IN6	-	Not used
AE12	AIP_RAW_VS	-	Not used
AE13	AVSOUT_SCL	-	Not used
AE14	AVSOUT_WORDSEL	-	Not used



Pin No.	Pin Name	I/O	Description
AE15 to AE20	OCMADDR20, OCMADDR16, OCMADDR13, OCMADDR9, OCMADDR6, OCMADDR2	O	Address signal output to the flash memory
AE21 to AE26	OCMDATA15, OCMDATA11, OCMDATA8, OCMDATA2 to OCMDATA0	I/O	Two-way data bus with the flash memory
AF1	A2P	I	Video signal input (Y) from the S VIDEO IN jack
AF2	C2P	-	Not used
AF3	BN	-	Not used
AF4	A3P	I	Video signal input (CVBS) from VIDEO IN jack
AF5	C3P	I	Video signal input (2nd zone) from the VIDEO IN jack
AF6	CN	-	Not used
AF7	AN2	-	Not used
AF8	CN2	-	Not used
AF9	SVN	-	Not used
AF10, AF11	LBADC_IN1, LBADC_IN5	-	Not used
AF12	AIP_RAW_HS_CS	-	Not used
AF13	EXTOSD_CLK	-	Not used
AF14	AVSIN_SCL	-	Not used
AF15 to AF20	OCMADDR21, OCMADDR17, OCMADDR14, OCMADDR10, OCMADDR7, OCMADDR3	O	Address signal output to the flash memory
AF21	OCMADDR0	O	Address signal output terminal Not used
AE22 to AE26	OCMDATA12, OCMDATA9 OCMDATA5 to OCMDATA3	I/O	Two-way data bus with the flash memory

## D-VIDEO BOARD IC3604 YGV629-VZ (OSD CONTROLLER)

Pin No.	Pin Name	I/O	Description
1	PLLVD	-	Power supply terminal (+3.3V)
2	FILTER	I	Filter connection terminal for internal PLL
3	PLLVSS	-	Ground terminal
4	NC	-	Not used
5 to 10	PLLCTL5 to PLLCTL0	I	PLL setting terminal
11	DTCKS_N	I	Clock signal input terminal Not used
12	DTCK_IN	I	Clock signal input terminal Not used
13	VSS	-	Ground terminal
14	VDD	-	Power supply terminal (+3.3V)
15 to 22	D0 to D7	I/O	Two-way data bus with the video system controller and S-RAM
23	WAIT_N	O	Wait signal output to the video system controller
24	READY_N	-	Not used
25	INT_N	O	Interrupt signal output to the video system controller
26	VDD	-	Power supply terminal (+3.3V)
27	VSS	-	Ground terminal
28	CS_N	I	Chip select signal input from the video system controller
29	WR_N	I	Write enable signal input from the video system controller
30	RD_N	I	Read enable signal input from the video system controller
31 to 33	PS2 to PS0	I	Address signal input from the video system controller
34	SDOUT	O	Serial data output terminal Not used
35	SDIN	I	Serial data input terminal Not used
36	SCS_N	I	Chip select signal input terminal Not used
37	SCLK	I	Serial data transfer clock signal input terminal Not used
38	SER_N	I	CPU interface select setting terminal Fixed at "H" in this set
39	RESET_N	I	Reset signal input from the video system controller "L": reset
40	VSS	-	Ground terminal
41	VDD	-	Power supply terminal (+3.3V)
42	MA0	O	Address signal output terminal Not used
43 to 47	MA1 to MA5	O	Address signal output to the flash memory
48	VSS	-	Ground terminal
49 to 54	MA6 to MA11	O	Address signal output to the flash memory
55	VDD	-	Power supply terminal (+3.3V)
56	VSS	-	Ground terminal
57 to 62	MA12 to MA17	O	Address signal output to the flash memory
63	VSS	-	Ground terminal
64 to 70	MA18 to MA24	O	Address signal output to the flash memory
71	VDD	-	Power supply terminal (+3.3V)
72	VSS	-	Ground terminal
73	MWE_N	O	Write enable signal output to the flash memory
74	MOE_N	O	Output enable signal output to the flash memory
75 to 80	MD15, MD7, MD14, MD6, MD13, MD5	I/O	Two-way data bus with the flash memory
81	VSS	-	Ground terminal
82	VDD	-	Power supply terminal (+3.3V)

Pin No.	Pin Name	I/O	Description
83 to 90	MD12, MD4, MD11, MD3, MD10, MD2, MD9, MD1	I/O	Two-way data bus with the flash memory
91	VSS	-	Ground terminal
92	VDD	-	Power supply terminal (+3.3V)
93, 94	MD8, MD0	I/O	Two-way data bus with the flash memory
95	RAHZ_N	-	Not used
96 to 98	XTEST2 to XTEST0	-	Not used
99	VSIN_N	I	Vertical sync signal input terminal Not used
100	HSIN_N	I	Horizontal sync signal input terminal Not used
101	NC	-	Not used
102	AVDD	-	Power supply terminal (+3.3V)
103	R	O	Analog video signal (R) output terminal Not used
104	G	O	Analog video signal (G) output terminal Not used
105	B	O	Analog video signal (B) output terminal Not used
106	IREF	-	Not used
107	AVSS	-	Ground terminal
108	NC	-	Not used
109	VDD	-	Power supply terminal (+3.3V)
110	VSS	-	Ground terminal
111 to 116	DR0 to DR5	O	Digital video signal (R) output to the video processor
117	VSS	-	Ground terminal
118	VDD	-	Power supply terminal (+3.3V)
119 to 124	DG0 to DG5	O	Digital video signal (G) output to the video processor
125	VSS	-	Ground terminal
126	VDD	-	Power supply terminal (+3.3V)
127 to 132	DB0 to DB5	O	Digital video signal (B) output to the video processor
133	VSS	-	Ground terminal
134	FSC	-	Not used
135	YS_N	-	Not used
136	VSYNC_N	O	Vertical sync signal output to the video processor
137	HSYNC_N	O	Horizontal sync signal output to the video processor
138	BLANK_N	O	Blanking period signal output to the video processor
139	DOTCLK	O	Dot clock signal output to the video processor
140	VDD	-	Power supply terminal (+3.3V)
141	XIN	I	System clock input terminal (33.2 MHz)
142	XOUT	O	System clock output terminal (33.2 MHz)
143	VSS	-	Ground terminal
144	NC	-	Not used

## D-VIDEO BOARD IC3610 MB91F467RA-07A53GUI-X103 (VIDEO SYSTEM CONTROLLER)

Pin No.	Pin Name	I/O	Description
1	GND	-	Ground terminal
2 to 5	NO USE	-	Not used
6	STOP IN	I	AC off detection signal input terminal
7	DAC CLOCK SEL	O	Clock on/off control signal output terminal for the D/A converter
8, 9	EDID_SEL0, EDID_SEL1	O	I2C line selection signal output terminal for the EEPROM
10	NO USE	-	Not used
11, 12	+3.3V	-	Power supply terminal (+3.3V)
13	GND	-	Ground terminal
14	C_1	-	Not used
15	YAMAHA FLASH CE	O	Not used
16	NO USE	-	Not used
17	EXT_ROM CE	O	Not used
18	YAMAHA CE	O	Chip enable signal output to the OSD controller
19	SRAM CE	O	Chip enable signal output to the S-RAM
20	NO USE	-	Not used
21	YAMAHA RESET	O	Reset signal output to the flash memory and OSD controller "L": reset
22	YAMAHA WAIT_N	I	Wait signal input from the OSD controller
23	YAMAHA READY_N	I	Not used
24	NO USE	-	Not used
25	SRAM OE,UB,LB/ YAMAHA RD_N/ EXT_ROM OE	O	Read enable signal output to the S-RAM and OSD controller
26	SRAM LB,WE	O	Lower-byte control signal and write enable signal output to the S-RAM
27	SRAM UB,WE/ YAMAHA WR_N/ EXT_ROM WE	O	Upper-byte control signal and write enable signal output to the S-RAM, and write enable signal output to the OSD controller
28, 29	NO USE	-	Not used
30	TX_RST	O	Reset signal output to the HDMI transceiver "L": reset
31	TX_5VPWR	O	Power on/off control signal output terminal for the HDMI ASSIGNABLE (INPUT ONLY) OUT jack "H": power on
32	VDAC_RESET	O	Reset signal output to the D/A converter "L": reset
33, 34	NO USE	-	Not used
35	RX_RST	O	Reset signal output to the HDMI receiver "L": reset
36	+3.3V	-	Power supply terminal (+3.3V)
37	C_2	-	Not used
38	GND	-	Ground terminal
39	X0	I	System clock input terminal (4 MHz)
40	X1	O	System clock output terminal (4 MHz)
41	GND	-	Ground terminal
42	X0A	I	System clock input terminal Not used
43	X1A	O	System clock output terminal Not used
44	+3.3V	-	Power supply terminal (+3.3V)
45	GND	-	Ground terminal

Pin No.	Pin Name	I/O	Description
46 to 53	SRAM IO0/ EXT_ROMD00 to SRAM IO7/ EXT_ROMD07	I/O	Two-way data bus with the S-RAM
54 to 56	SRAM IO8/ YAMAHA D0/ EXT_ROMD08 to SRAM IO10/ YAMAHA D2/ EXT_ROMD10	I/O	Two-way data bus with the OSD controller and S-RAM
57	+3.3V	-	Power supply terminal (+3.3V)
58	GND	-	Ground terminal
59 to 63	SRAM IO11/ YAMAHA D3/ EXT_ROM11 to SRAM IO15/ YAMAHA D7/ EXT_ROMD15	I/O	Two-way data bus with the OSD controller and S-RAM
64	YAMAHA PS0	O	Address signal output to the OSD controller
65, 66	SRAM A0/ YAMAHA PS1/ EXT_ROMA00, SRAM A1/ YAMAHA PS2/ EXT_ROMA01	O	Address signal output to the OSD controller and S-RAM
67 to 72	SRAM A2/ EXT_ROMA02 to SRAM A7/ EXT_ROMA07	O	Address signal output to the S-RAM
73	+3.3V	-	Power supply terminal (+3.3V)
74	GND	-	Ground terminal
75 to 83	SRAM A8/ EXT_ROMA08 to SRAM A16/ EXT_ROMA16	O	Address signal output to the S-RAM
84	EXT_ROMA17	O	Not used
85 to 87	NO USE	-	Not used
88	GND	-	Ground terminal
89	+3.3V	-	Power supply terminal (+3.3V)
90, 91	NO USE	-	Not used
92	NON_LPCM	O	PCM audio data output to the DSP1
93	9185_1_HPD1-3	O	Hot plug detection signal output to the HDMI input select
94	9185_1_RST	O	Reset signal output to the HDMI input select "L": reset
95	9185_2_HPD4-6	O	Hot plug detection signal output to the HDMI input select
96	9185_2_RST	O	Reset signal output to the HDMI input select "L": reset
97	NO USE	-	Not used
98	AUDIO MUTE REQ	O	Audio muting control signal output terminal
99 to 113	NO USE	-	Not used
114	GND	-	Ground terminal
115, 116	+3.3V	-	Power supply terminal (+3.3V)

Pin No.	Pin Name	I/O	Description
117	UC3V_SDA	I/O	I2C two-way data bus with the EEPROM, HDMI input select, HDMI receiver, HDMI transceiver and D/A converter
118	UC3V_SCL	O	I2C clock signal output to the EEPROM, HDMI input select, HDMI receiver, HDMI transceiver and D/A converter
119	YAMAHA_INT_N	I	Interrupt signal input from the OSD controller
120	NO USE	-	Not used
121	RX_INT	I	Interrupt signal input from the HDMI receiver
122	NO USE	-	Not used
123	TX_INT	I	Interrupt signal input from the HDMI transceiver
124	NO USE	-	Not used
125	Faroudja Power DETECT	I	Power detection signal input from the video processor
126	Faroudja UCOM RESET	O	Reset signal output to the video processor and flash memory "L": reset
127	MD3	-	Mode setting terminal Fixed at "L" in this set
128	MD2	I	Programming mode signal input from the system controller
129, 130	MD1, MD0	-	Mode setting terminal Fixed at "L" in this set
131	INITX	I	Reset signal input from the system controller "L": reset
132	GND	-	Ground terminal
133	+5V	-	Power supply terminal (+3.3V)
134	Flash Update RX	I	Serial data input terminal
135	Flash Update TX	O	Serial data output terminal
136	ENDFLAG	I	Programming end flag input from the system controller
137	MAIN UCOM UART RX	I	Serial data input from the system controller
138	MAIN UCOM UART TX	O	Serial data output to the system controller
139	MAIN UCOM UART BUSY	I	Busy signal input from the system controller
140	Faroudja UCOM UART RX	I	UART communication transfer data input from the video processor
141	Faroudja UCOM UART TX	O	UART communication transfer data output to the video processor
142	Faroudja UCOM BUSY	O	Busy signal output to the video processor
143 to 145	NO USE	-	Not used
146	GND	-	Ground terminal
147	+5V	-	Power supply terminal (+3.3V)
148 to 160	NO USE	-	Not used
161	GND	-	Ground terminal
162	+5V	-	Power supply terminal (+3.3V)
163 to 167	NO USE	-	Not used
168	V.SYNC_DET	I	Vertical sync signal input terminal Not used
169 to 175	NO USE	-	Not used
176	+5V	-	Power supply terminal (+3.3V)

## D-VIDEO BOARD IC3901 F2602E-01-TR (XM RECEIVER)

Pin No.	Pin Name	I/O	Description
1	LSOPTXRX	-	Not used
2	VSS	-	Ground terminal
3	SCTXOUT	O	Serial data output to the system controller
4	VDD	-	Power supply terminal (+3.3V)
5	SCRXIN	I	Serial data input from the system controller
6	VSS	-	Ground terminal
7	COMMSEL	I	Command mode selection signal input terminal Not used
8	VDD	-	Power supply terminal (+3.3V)
9	$\overline{\text{IRQ}}$	O	Interrupt request signal output terminal Not used
10	VSS	-	Ground terminal
11	$\overline{\text{RESET}}$	I	Reset signal input from the system controller "L": reset
12	SLAVESL	I	Master/slave mode setting terminal "L": master mode, "H": slave mode Fixed at "L" in this set
13	COMRXDIG	-	Not used
14	COMTXDIG	-	Not used
15	COMTXEN	-	Not used
16	VSS	-	Ground terminal
17	VDD	-	Power supply terminal (+3.3V)
18	COMRXP	I	XM receiver differential signal (positive) input terminal
19	COMRXM	I	XM receiver differential signal (negative) input terminal
20	VDD	-	Power supply terminal (+3.3V)
21	VSS	-	Ground terminal
22	COMTXM	O	XM transmitter differential signal (negative) output terminal
23	COMTXP	O	XM transmitter differential signal (positive) output terminal
24, 25	VSS	-	Ground terminal
26	OSCOUT	O	System clock output terminal (45.1584 MHz)
27	VDD	-	Power supply terminal (+3.3V)
28	OSCIN	I	System clock input terminal (45.1584 MHz)
29	VSS	-	Ground terminal
30	TEST	-	Not used
31	VSS	-	Ground terminal
32	HSDPDATA	-	Not used
33	VDD	-	Power supply terminal (+3.3V)
34	HSDPCLK	-	Not used
35	VSS	-	Ground terminal
36	HSDPEN	-	Not used
37	I2SDATA	O	I2S digital audio data output to the D/A converter, DSP1 and DSP2
38	VSS	-	Ground terminal
39	I2SSCLK	O	I2S bit clock signal output to the D/A converter, DSP1 and DSP2
40	VDD	-	Power supply terminal (+3.3V)
41	I2SLRCLK	O	I2S L/R sampling clock signal output to the D/A converter, DSP1 and DSP2
42	VSS	-	Ground terminal
43	I2SOCLK	O	I2S over sample clock signal output to the D/A converter, DSP1 and DSP2
44	VSS	-	Ground terminal
45	SAIICKL	-	Not used
46	VDD	-	Power supply terminal (+3.3V)

# STR-DA5300ES

Pin No.	Pin Name	I/O	Description
47	SAIIDATA	-	Not used
48	SAIIEN	-	Not used



## CONTROL BOARD IC2003 MB91F467RA-07A53ES-X103 (SYSTEM CONTROLLER)

Pin No.	Pin Name	I/O	Description
1	VSS	-	Ground terminal
2	POW-SW_DET	I	POWER switch input terminal
3	XM_POW	O	Power supply on/off control signal output terminal for XM section "H": power on
4	C_DET	I	Component video signal detection signal input terminal
5	S_DET	I	S video signal detection signal input terminal
6	V_DET	I	CVBS video signal detection signal input terminal
7	V595_OE	O	Output enable signal output to the data decoder
8	V595_LAT	O	Serial data latch pulse signal output to the data decoder
9	MONITOR_MUTE	O	Monitor video out muting on/off control signal output to the video amplifier "H": muting on
10	XM-DA_LAT	O	Serial data latch pulse signal output to the D/A converter
11, 12	VCC3	-	Power supply terminal (+3.3V)
13	VSS	-	Ground terminal
14	C_1	-	External capacitor connection terminal for internal regulator
15, 16	TUNE+/-2, TUNE+/-1	I	Jog dial pulse input from the rotary encoder (for TUNING)
17, 18	TONE+/-2, TONE+/-1	I	Jog dial pulse input from the rotary encoder (for TONE)
19, 20	FUNC-JOG_A, FUNC-JOG_B	I	Jog dial pulse input from the rotary encoder (for INPUT SELECTOR)
21, 22	VOL-JOG_A, VOL-JOG_B	I	Jog dial pulse input from the rotary encoder (for MASTER VOLUME)
23	HP_IN	I	Headphone detection signal input terminal "H": headphone is connected
24, 25	SP-SW_A, SP-SW_B	I	Front speaker selection switch input terminal
26	MIC_ON	O	Enable signal output to the mic amplifier
27	NO USE	-	Not used
28	NMIX	-	Not used
29	NO USE	-	Not used
30 to 32	TRG-1 to TRG-3	O	Trigger signal output terminal
33	NO USE	O	Component video monitor out muting on/off control signal output terminal "H": muting on
34, 35	VC_MUTE, VC2_MUTE	O	Component video muting on/off control signal output to the input select (for component video) "H": muting on
36	VCC3	-	Power supply terminal (+3.3V)
37	C_2	-	External capacitor connection terminal for internal regulator
38	VSS	-	Ground terminal
39	X0	I	Main system clock input terminal (4 MHz)
40	X1	O	Main system clock output terminal (4 MHz)
41	VSS	-	Ground terminal
42	X0A	I	Sub system clock input terminal Not used
43	X1A	O	Sub system clock output terminal Not used
44	VCC3	-	Power supply terminal (+3.3V)
45	VSS	-	Ground terminal
46	HDMI_ERROR	I	HDMI audio error signal input terminal
47	CEC_OUT	O	CEC data output terminal
48	NO USE	-	Not used
49	DSP-UCOM _END-FLAG	O	Programming end flag output to the DSP controller

Pin No.	Pin Name	I/O	Description
50	DSP-UCOM_MODE	O	Programming mode signal output to the DSP controller
51	MD_BUSY	O	Busy signal output to the DSP controller
52	DM_BUSY	I	Busy signal input from the DSP controller
53	DSP-UCOM_RESET	O	Reset signal output to the DSP controller "L": reset
54	M-D_INT	O	Interrupt request signal output to the DSP controller
55	AVSYNC_XCS	O	Chip enable signal output to the lip sync adjust
56	AVSYNC_SIO	I/O	Two-way data bus with the lip sync adjust
57	VCC3	-	Power supply terminal (+3.3V)
58	VSS	-	Ground terminal
59	MUTE	O	Audio muting on/off control signal output terminal "H": muting on
60	TUNER_DATA	O	Serial data output to the tuner (FM/AM)
61	TUNER_CLK	O	Serial data transfer clock signal output to the tuner (FM/AM)
62	AVSYNC_RSTN	O	Reset signal output to the lip sync adjust "L": reset
63	NO USE	-	Not used
64	DIR_XMODE	O	Reset signal output to the digital audio interface receiver "L": reset
65	DIR_CE	O	Chip enable signal output to the digital audio interface receiver
66	DIR_DO	I	Serial data input from the digital audio interface receiver
67	DIR_RERR	I	PLL lock error signal and data error flag input from the digital audio interface receiver
68	DIR_CKST	I	Clock select signal input from the digital audio interface receiver
69	TUNED	I	Tuned detection signal input from the tuner (FM/AM)
70	TUN_LAT	O	Serial data latch pulse signal output to the tuner (FM/AM)
71	TUN_DO	I	Serial data input from the tuner (FM/AM)
72	RDS_DATA	I	RDS serial data input from the tuner (FM/AM) (AEP, Russian, Ukrainian and UK models only)
73	VCC3	-	Power supply terminal (+3.3V)
74	VSS	-	Ground terminal
75	POW_RY	O	Relay drive signal (for main power) output terminal "H": relay on
76	PREOUT_RY	O	Relay drive signal (for pre out) output terminal "H": relay on
77	SIRIUS-POW_EN	O	Power enable signal output to the SIRIUS connector
78	D_POWER	O	Power supply on/off control signal output terminal for DSP section "H": power on
79	HP_RY	O	Relay drive signal (for headphone) output terminal "H": relay on
80	D.MIX_LAT	O	Serial data latch pulse signal output to the electrical volume
81	SP-A_RY	O	Relay drive signal (for front A) output terminal "H": relay on
82	STOP	I	AC cut detection signal input terminal
83	SP-B_RY	O	Relay drive signal (for front B) output terminal "H": relay on
84	C_RY	O	Relay drive signal (for center) output terminal "H": relay on
85	SB_RY	O	Relay drive signal (for surround back) output terminal "H": relay on
86	REAR_RY	O	Relay drive signal (for surround) output terminal "H": relay on
87	4/8_RY	O	Impedance 4/8 ohm selection signal output terminal
88	VSS	-	Ground terminal
89	VCC3	-	Power supply terminal (+3.3V)
90	FUNC2_LAT	O	Serial data latch pulse signal output to the input selector (for tuner section)
91	FUNC_LAT	O	Serial data latch pulse signal output to the input selector (for analog audio)
92	VOL_LAT	O	Serial data latch pulse signal output to the electrical volume (for analog audio)
93	AD_RST	O	Reset signal output to the A/D converter "L": reset
94	DAC_LAT	O	Serial data latch pulse signal output to the D/A converter
95	DAC_DO	I	Serial data input from the D/A converter

Pin No.	Pin Name	I/O	Description
96	DA_RST	O	Reset signal output to the D/A converter "L": reset
97	WDRESETX	I	Watch dog timer reset signal output terminal Not used
98 to100	AD-KEY1 to AD-KEY3	I	Front panel key input terminal (A/D input)
101, 102	NO USE	-	Not used
103	VERSION	I	Model and destination detection terminal
104	NO USE	-	Not used
105	CCD_RY	O	Relay drive signal (for front audio) output terminal "H": relay on
106	2ND_RY	O	Relay drive signal (for zone 2) output terminal "H": relay on
107	3RD_RY	O	Relay drive signal (for zone 3) output terminal "H": relay on
108	D595_OE	O	Output enable signal output to the data decoder
109	D595_LAT	O	Serial data latch pulse signal output to the data decoder
110	COM1_CLK	O	Serial data transfer clock signal output to the digital audio interface receiver, data decoder, lip sync adjust and D/A converter
111	COM1_DATA	O	Serial data output to the digital audio interface receiver, data decoder, lip sync adjust and D/A converter
112	COM2_CLK	O	Serial data transfer clock signal output to the electrical volume, input selector, data decoder and D/A converter
113	COM2_DATA	O	Serial data output to the electrical volume, input selector, data decoder and D/A converter
114	AVSS/AVRL	-	Ground terminal
115	AVCC3	-	Power supply terminal (+3.3V)
116	AVRH	I	Reference voltage input terminal (+3.3V)
117	IIC BUS DATA	I/O	I2C data bus terminal Not used
118	IIC BUS CLK	I/O	I2C clock bus terminal Not used
119	SIRCS-IN	I	SIRCS signal input terminal
120	NO USE	-	Not used
121	CEC_IN	I	CEC data input terminal
122	NO USE	-	Not used
123	ZONE_SEL	I	ZONE SELECT switch input terminal
124	VIDEO-UCOM _MODE	O	Programming mode signal output to the video system controller
125	VIDEO-UCOM _END-FLAG	O	Programming end flag output to the video system controller
126	RST_TRG	O	Reset signal output terminal for the system controller "L": reset
127	MD3	-	Mode setting terminal Fixed at "L" in this set
128	MD2	I	Serial data input terminal
129, 130	MD1, MD0	-	Mode setting terminal Fixed at "L" in this set
131	INITX	I	System reset signal input from the reset signal generator "L": reset For several hundreds msec. after the power supply rises, "L" is input, then it changes to "H"
132	VSS	-	Ground terminal
133	VCC5	-	Power supply terminal (+3.3V)
134	RS232C_RX	I	Serial data input terminal
135	RS232C_TX	O	Serial data output terminal
136	VIDEO-UCOM _RESET	O	Reset signal output to the video system controller "L": reset
137	XMUART_XM/M	I	Serial data input from the XM receiver
138	XMUART_M/XM	O	Serial data output to the XM receiver
139	XM_RESET	O	Reset signal output to the XM receiver "L": reset

Pin No.	Pin Name	I/O	Description
140	VIDEO-UCOM_V/M	I	Serial data input from the video system controller
141	VIDEO-UCOM_M/V	O	Serial data output to the video system controller
142	VIDEO-UCOM_BUSY	O	Busy signal output to the video system controller
143	D-M_DATA	I	Serial data input from the DSP controller
144	M-D_DATA	O	Serial data output to the DSP controller
145	NO USE (DSP_SPICLK)	O	Serial data transfer clock signal output terminal Not used
146	VSS	-	Ground terminal
147	VCC5	-	Power supply terminal (+3.3V)
148	SIRIUS_TX	I	Serial data input from the SIRIUS connector
149	SIRIUS_RX	O	Serial data output to the SIRIUS connector
150	FL_CLR	O	Blanking period signal output to the fluorescent indicator tube
151	FL_LAT	O	Serial data latch pulse signal output to the fluorescent indicator tube
152	FL_DATA	O	Serial data output to the fluorescent indicator tube
153	FL_CLK	O	Serial data transfer clock signal output to the fluorescent indicator tube
154	DMPORT_DM/M	I	Serial data input from the DMPORT connector
155	DMPORT_M/DM	O	Serial data output to the DMPORT connector
156	DMPORT_DET	I	DMPORT detection signal input terminal
157	9850_INT	O	Reset signal output to the digital audio processor "L": reset
158	9850_FS	O	L/R sampling clock signal output to the digital audio processor
159	P15_2/O/T2	-	Not used
160	P15_3/O/T3	-	Not used
161	VSS	-	Ground terminal
162	VCC5	-	Power supply terminal (+3.3V)
163	PROTECTOR	I	Protect signal input terminal
164	NO USE	-	Not used
165	RDS_CLK	I	RDS serial data transfer clock signal input from the tuner (FM/AM) (AEP, Russian, Ukrainian and UK models only)
166, 167	232C-SEL1, 232C-SEL2	O	Data selection signal output to the data selector
168	FSRATE1	I	L/R sampling clock signal input terminal
169	LED-STB	O	LED drive signal output terminal for ON/STANDBY indicator "H": LED on
170	FSRATE2	I	L/R sampling clock signal input terminal
171	LED-DCS	O	LED drive signal output terminal for Digital Cinema Sound indicator "H": LED on
172	LED-MLT	O	LED drive signal output terminal MULTI CHANNEL DECODING indicator "H": LED on
173	LED-MLT-DIMMER	O	LED dimmer control signal output terminal for MULTI CHANNEL DECODING indicator "H": dimmer on
174	EEPROM_SDA	I/O	Two-way data bus with the EEPROM
175	EEPROM_SCL	O	Serial data transfer clock signal output to the EEPROM
176	VCC5	-	Power supply terminal (+3.3V)

**SECTION 7**  
**EXPLODED VIEWS**

**NOTE:**

- -XX and -X mean standardized parts, so they may have some difference from the original one.
- Color Indication of Appearance Parts  
Example:  
KNOB, BALANCE (WHITE) . . . (RED)  
                                  ↑                                  ↑  
                          Parts Color  Cabinet's Color
- Items marked "\*" are not stocked since they are seldom required for routine service. Some delay should be anticipated when ordering these items.

- The mechanical parts with no reference number in the exploded views are not supplied.
- Accessories are given in the last of the electrical parts list.
- Abbreviation  
CND : Canadian model  
ECE : Russian and Ukrainian models
- Color Variation  
US, CND, UK: BLACK  
AEP, ECE : BLACK/SILVER

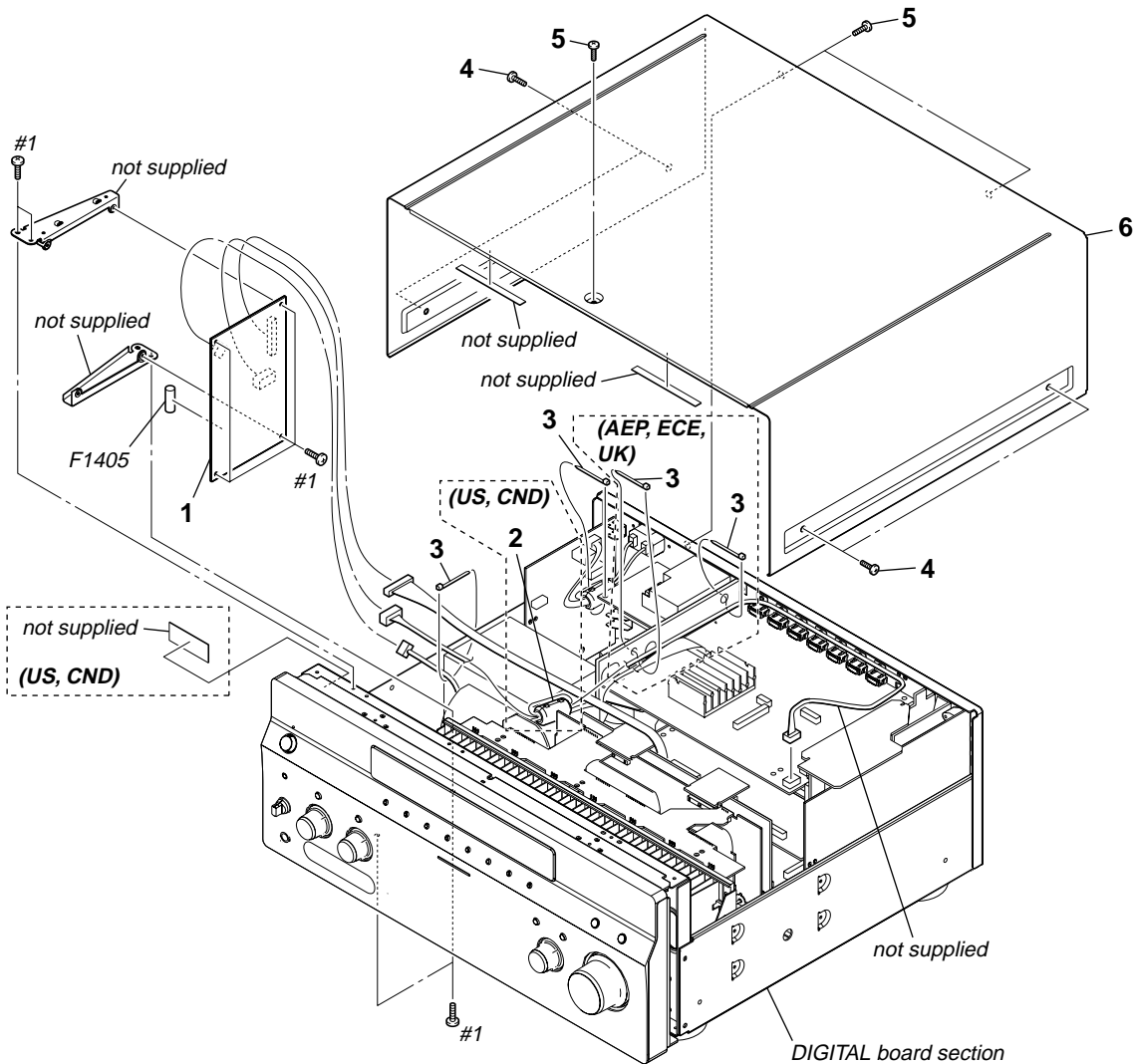
Les composants identifiés par une marque ⚠ sont critiques pour la sécurité. Ne les remplacer que par une pièce portant le numéro spécifié.

The components identified by mark ⚠ contain confidential information. Strictly follow the instructions whenever the components are repaired and/or replaced.

Les composants identifiés par la marque ⚠ contiennent des informations confidentielles. Suivre scrupuleusement les instructions chaque fois qu'un composant est remplacé et/ou réparé.

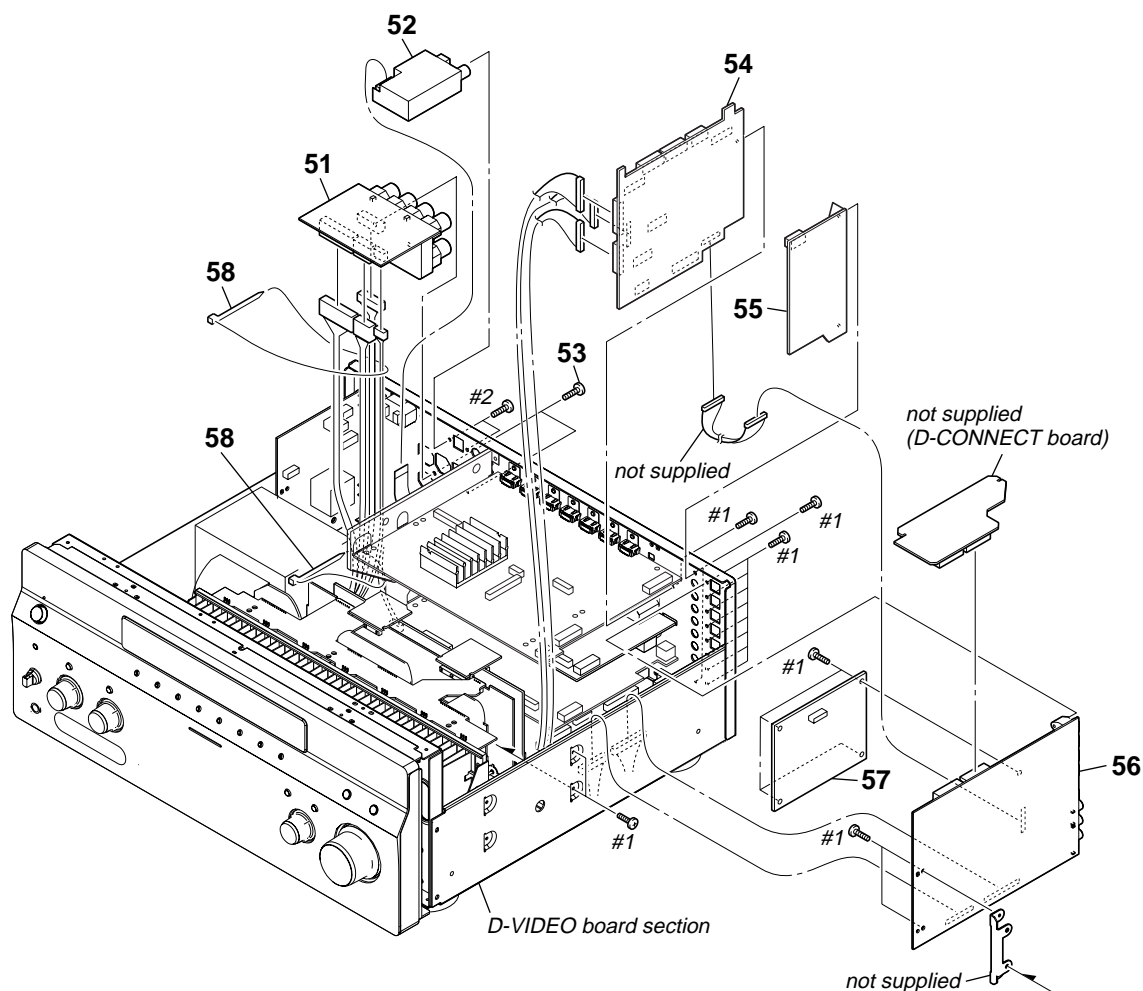
The components identified by mark ⚠ or dotted line with mark ⚠ are critical for safety. Replace only with part number specified.

**7-1. CASE SECTION**



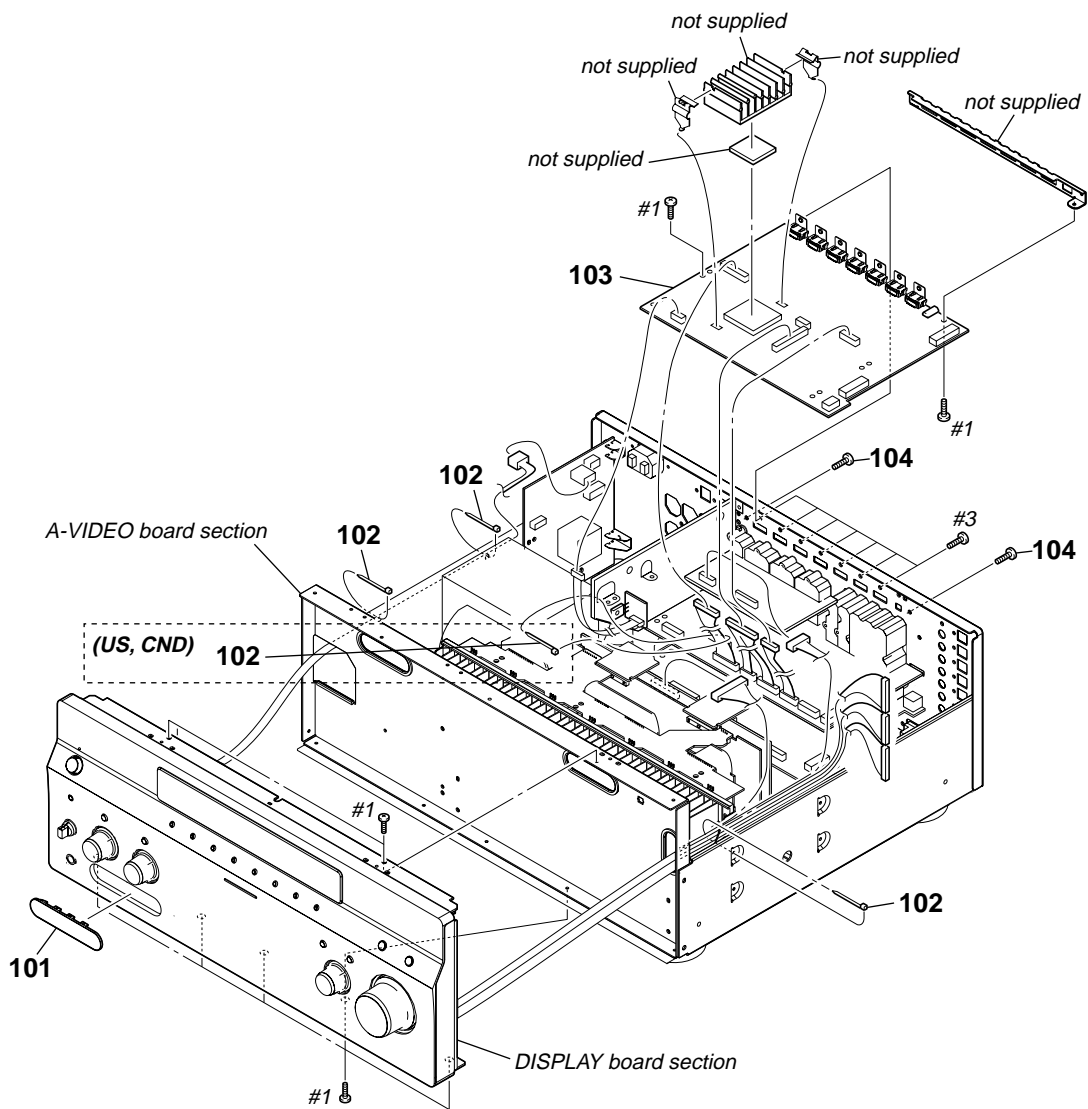
Ref. No.	Part No.	Description	Remark	Ref. No.	Part No.	Description	Remark
1	A-1252-517-A	DC-DC BOARD, COMPLETE		5	4-227-843-31	SCREW (TP), FLAT HEAD (for SILVER)	
2	1-500-386-11	FILTER, CLAMP (FERRITE CORE) (US, CND)		6	2-668-102-11	CASE (BLACK)	
3	3-701-748-00	CLAMP		6	2-668-102-31	CASE (SILVER)	
4	2-580-630-01	SCREW, +BVST 4X8 (for BLACK)		△ F1405	1-532-506-33	FUSE (T6.3AL/250V)	
4	7-685-881-04	SCREW +BVTT 4X8 (S) (for SILVER)		#1	7-685-646-79	SCREW +BVTP 3X8 TYPE2 IT-3	
5	4-227-843-03	SCREW (TP), FLAT HEAD (for BLACK)					

## 7-2. DIGITAL BOARD SECTION



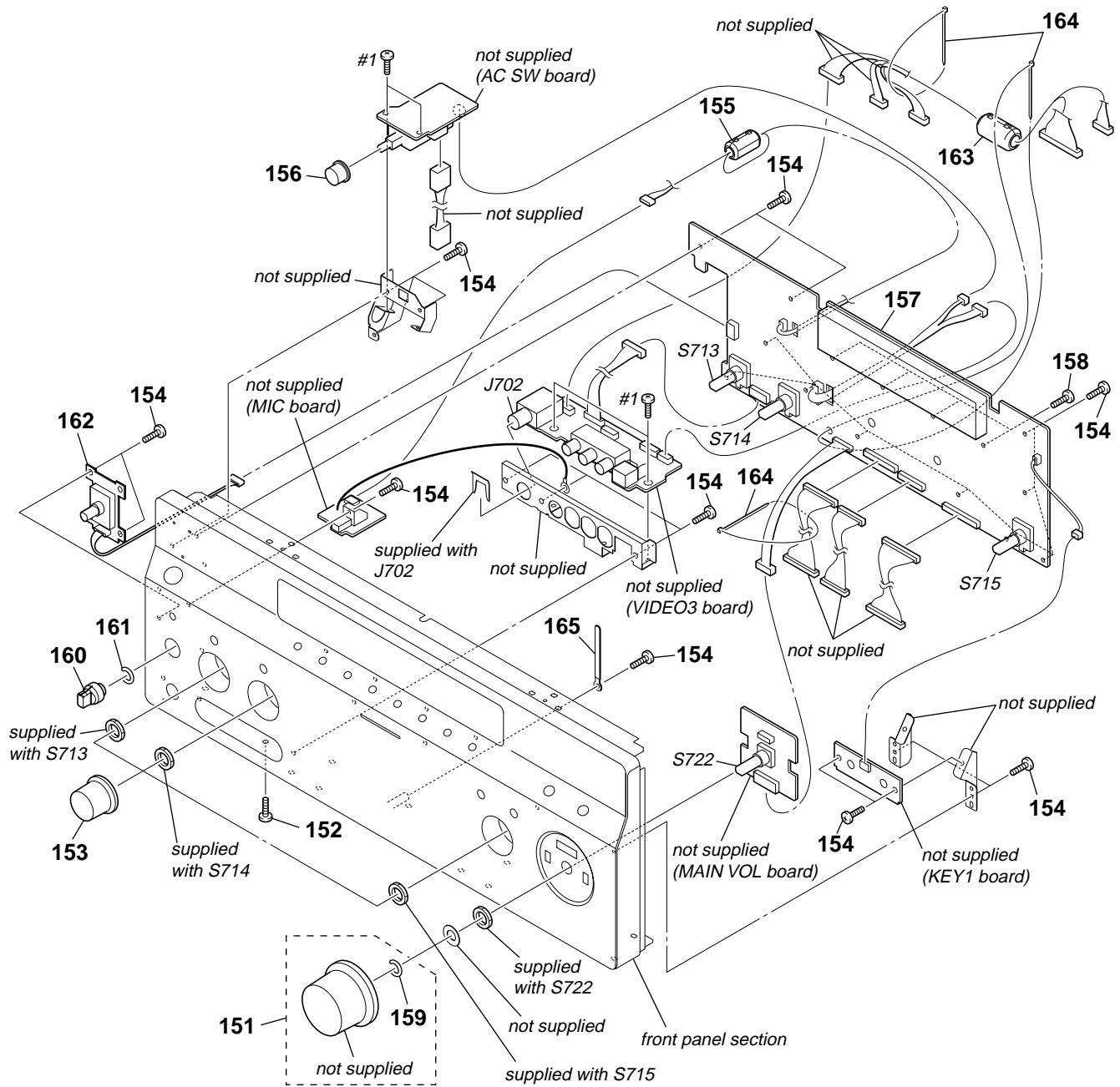
Ref. No.	Part No.	Description	Remark	Ref. No.	Part No.	Description	Remark
51	A-1252-308-A	SP-TM BOARD, COMPLETE		56	A-1252-342-A	DIGITAL BOARD, COMPLETE (US, CND)	
52	1-693-728-11	TUNER (FM/AM) (US, CND)		56	A-1252-343-A	DIGITAL BOARD, COMPLETE (AEP, ECE, UK)	
52	1-693-737-11	TUNER (FM/AM) (AEP, ECE, UK)		57	A-1252-433-A	DSP BOARD, COMPLETE	
53	3-704-515-51	SCREW (BV/RING)		58	3-701-748-00	CLAMP	
54	A-1252-345-A	CONTROL BOARD, COMPLETE (US, CND)		#1	7-685-646-79	SCREW +BVTP 3X8 TYPE2 IT-3	
54	A-1252-346-A	CONTROL BOARD, COMPLETE (AEP, ECE, UK)		#2	7-685-862-01	SCREW +BVTT 2.6X6 (S)	
55	A-1252-335-A	CIS BOARD, COMPLETE					

7-3. D-VIDEO BOARD SECTION



Ref. No.	Part No.	Description	Remark	Ref. No.	Part No.	Description	Remark
101	2-698-310-01	LID (A2) (BLACK)		104	3-077-331-21	+BV3 (3-CR)	
101	2-698-310-11	LID (A2) (SILVER)		#1	7-685-646-79	SCREW +BVTP 3X8 TYPE2 IT-3	
102	3-701-748-00	CLAMP		#3	7-682-547-04	SCREW +B 3X6	
103	A-1317-984-A	D-VIDEO BOARD, COMPLETE (for SERVICE) (US, CND)					
103	A-1317-985-A	D-VIDEO BOARD, COMPLETE (for SERVICE) (AEP, ECE, UK)					

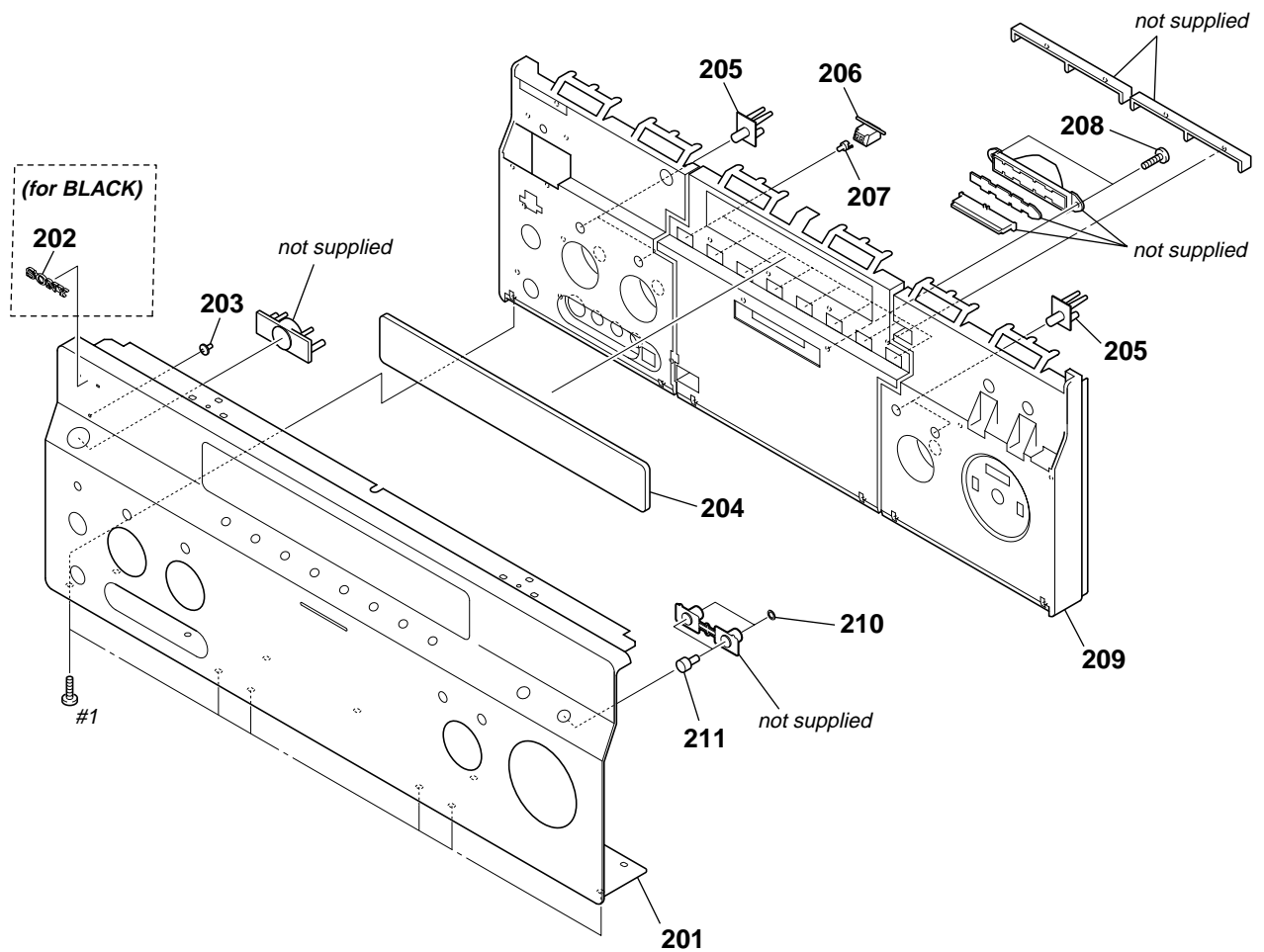
**7-4. DISPLAY BOARD SECTION**



Ref. No.	Part No.	Description	Remark	Ref. No.	Part No.	Description	Remark
151	X-2176-946-1	KNOB (VOL) ASSY (BLACK)		160	4-246-103-22	KNOB (SPEAKER) (BLACK)	
151	X-2176-947-1	KNOB (VOL) ASSY (SILVER)		161	2-893-374-01	SPRING, RING	
152	3-704-515-22	SCREW (BV/RING)		162	A-1252-357-A	SPSW BOARD, COMPLETE	
153	2-661-141-31	MENU KNOB (BLACK)		* 163	1-543-830-11	CLAMP, SLEEVE FERRITE (US, CND)	
153	2-661-141-41	MENU KNOB (SILVER)		164	3-701-748-00	CLAMP	
154	3-087-053-01	+BVTP2.6 (3CR)		165	4-237-065-01	CLAMP (L35)	
155	1-543-793-41	FILTER, CLAMP (FERRITE CORE) (US, CND)		J702	1-815-313-11	JACK (PHONES)	
156	X-4955-616-1	BUTTON (POWER) ASSY (BLACK)		S713	1-418-400-11	ENCODER, ROTARY (TONE)	
156	X-4955-618-1	BUTTON (POWER) ASSY (SILVER)		S714	1-418-400-11	ENCODER, ROTARY (TUNING)	
157	A-1252-350-A	DISPLAY BOARD, COMPLETE (US, CND)		S715	1-418-400-11	ENCODER, ROTARY (INPUT SELECTOR)	
157	A-1252-351-A	DISPLAY BOARD, COMPLETE (AEP, ECE, UK)		S722	1-418-725-41	ENCODER, ROTARY (12 TYPE)	
158	3-087-053-11	+BVTP2.6 (3CR)				(MASTER VOLUME)	
159	3-350-426-01	SPRING, RING		#1	7-685-646-79	SCREW +BVTP 3X8 TYPE2 IT-3	
160	4-246-103-02	KNOB (SPEAKER) (SILVER)					

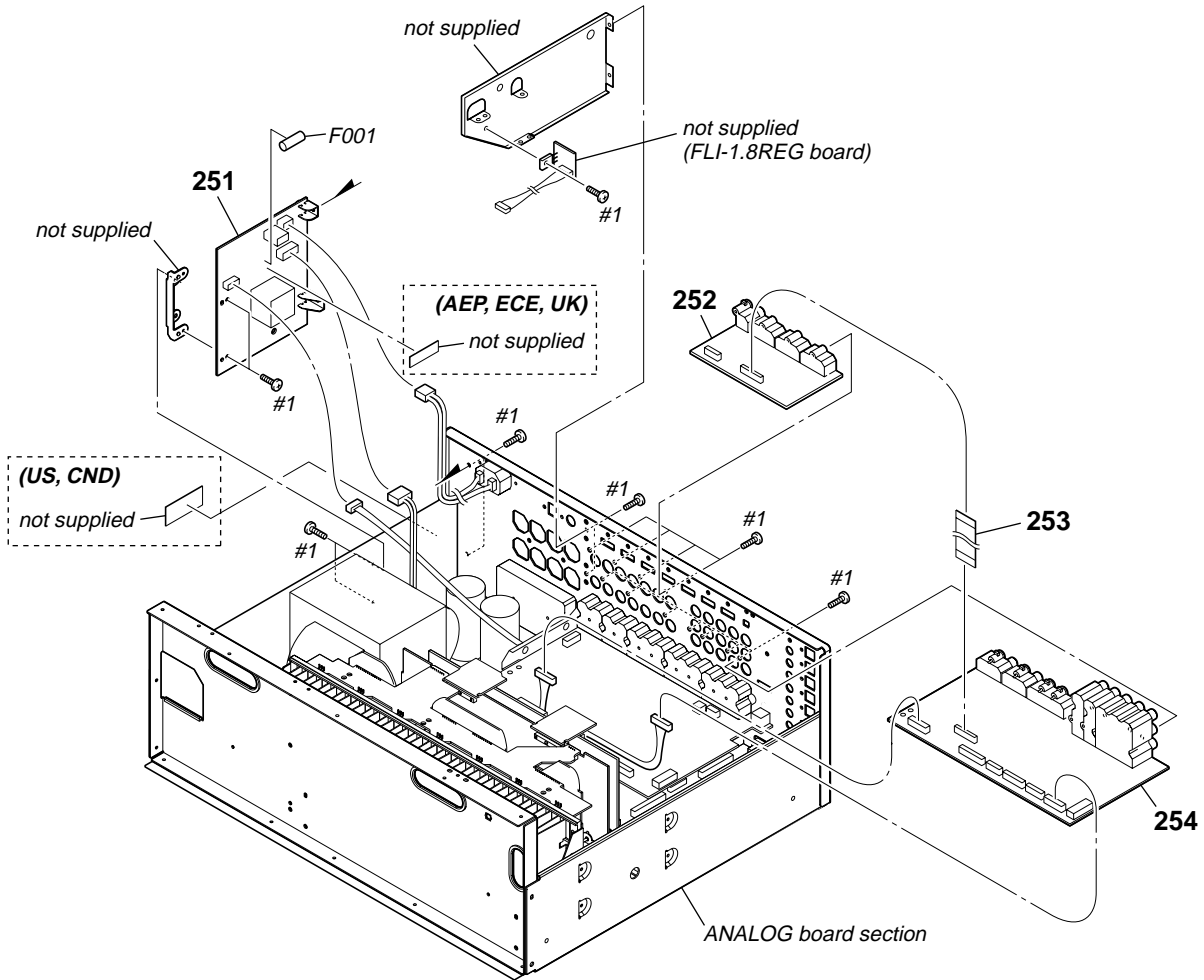


7-5. FRONT PANEL SECTION



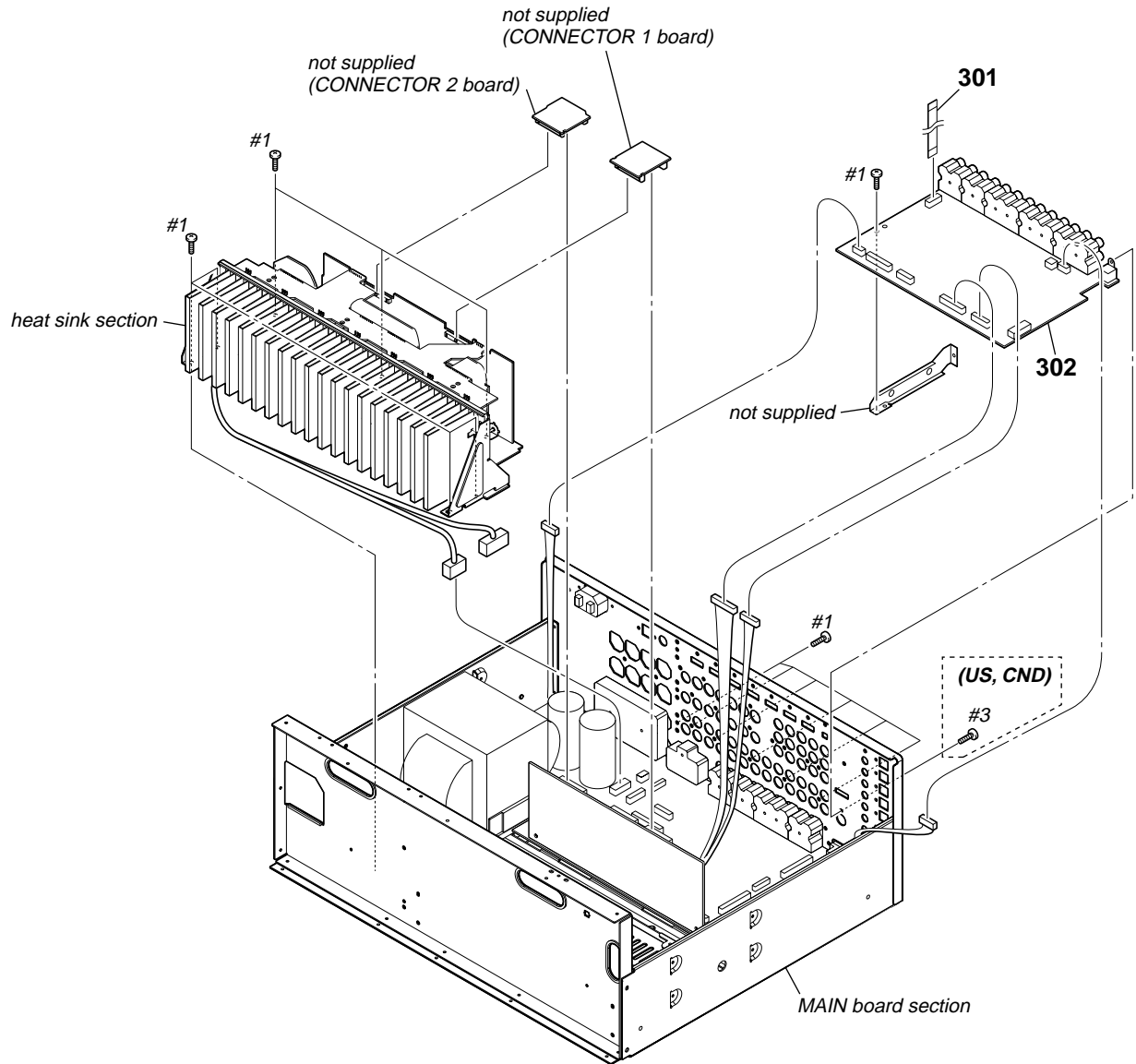
Ref. No.	Part No.	Description	Remark	Ref. No.	Part No.	Description	Remark
201	3-196-055-41	PANEL (A13), FRONT (BLACK) (AEP, ECE, UK)		207	2-676-727-01	BUTTON (MUSIC-A)	
201	3-196-055-51	PANEL (A13), FRONT (SILVER) (AEP, ECE)		208	3-087-053-01	+BVTP2.6 (3CR)	
201	3-196-055-61	PANEL (A13), FRONT (US, CND)		209	2-668-108-01	BASE, PANEL (A2) (BLACK)	
202	4-942-568-41	EMBLEM (NO.5), SONY (for BLACK)		209	2-668-108-11	BASE, PANEL (A2) (SILVER)	
203	X-4950-462-1	LENS ASSY, LED		210	3-325-697-21	WASHER	
204	2-668-128-01	PLATE (A2), INDICATION (BLACK)		211	4-246-100-03	BUTTON (DIA. 7) (SILVER)	
204	2-668-128-21	PLATE (A2), INDICATION (SILVER)		211	4-246-100-23	BUTTON (DIA. 7) (BLACK)	
205	2-668-113-01	BUTTON (ZONE) (BLACK)		#1	7-685-646-79	SCREW +BVTP 3X8 TYPE2 IT-3	
205	2-668-113-11	BUTTON (ZONE) (SILVER)					
206	2-676-728-01	BUTTON (MUSIC-B)					

**7-6. A-VIDEO BOARD SECTION**



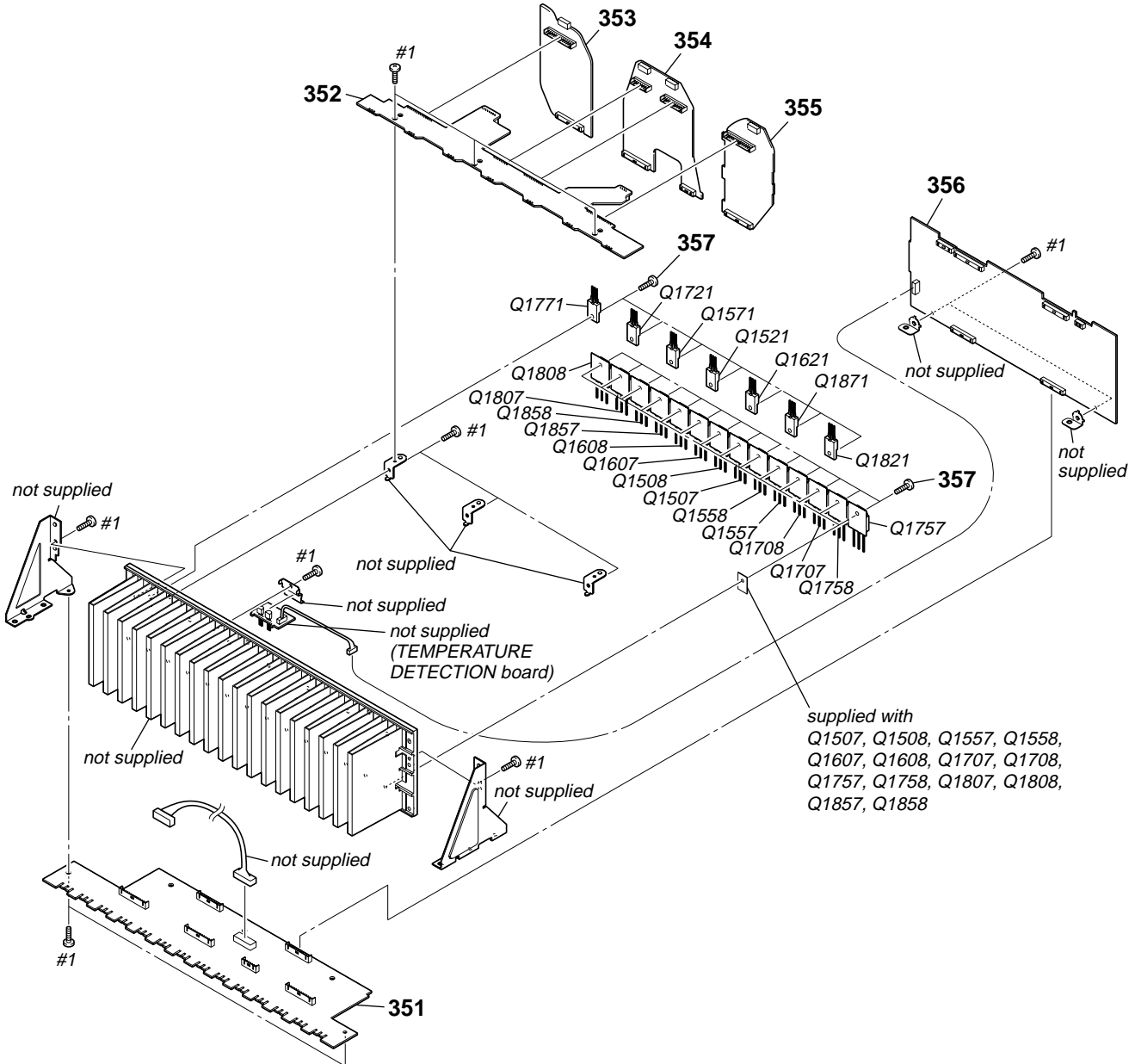
Ref. No.	Part No.	Description	Remark	Ref. No.	Part No.	Description	Remark
251	A-1252-331-A	AC BOARD, COMPLETE (US, CND)		254	A-1252-339-A	A-VIDEO BOARD, COMPLETE	
251	A-1252-332-A	AC BOARD, COMPLETE (AEP, ECE)		△ F001	1-532-504-33	FUSE (T4AL/250V) (AEP, ECE, UK)	
251	A-1252-333-A	AC BOARD, COMPLETE (UK)		△ F001	1-533-311-12	FUSE, GLASS CYLINDRICAL (DIA.5) (8A/125V) (US, CND)	
252	A-1252-348-A	S-VIDEO BOARD, COMPLETE		#1	7-685-646-79	SCREW +BVTP 3X8 TYPE2 IT-3	
253	1-828-367-51	WIRE (FLAT TYPE) (21 CORE)					

7-7. ANALOG BOARD SECTION



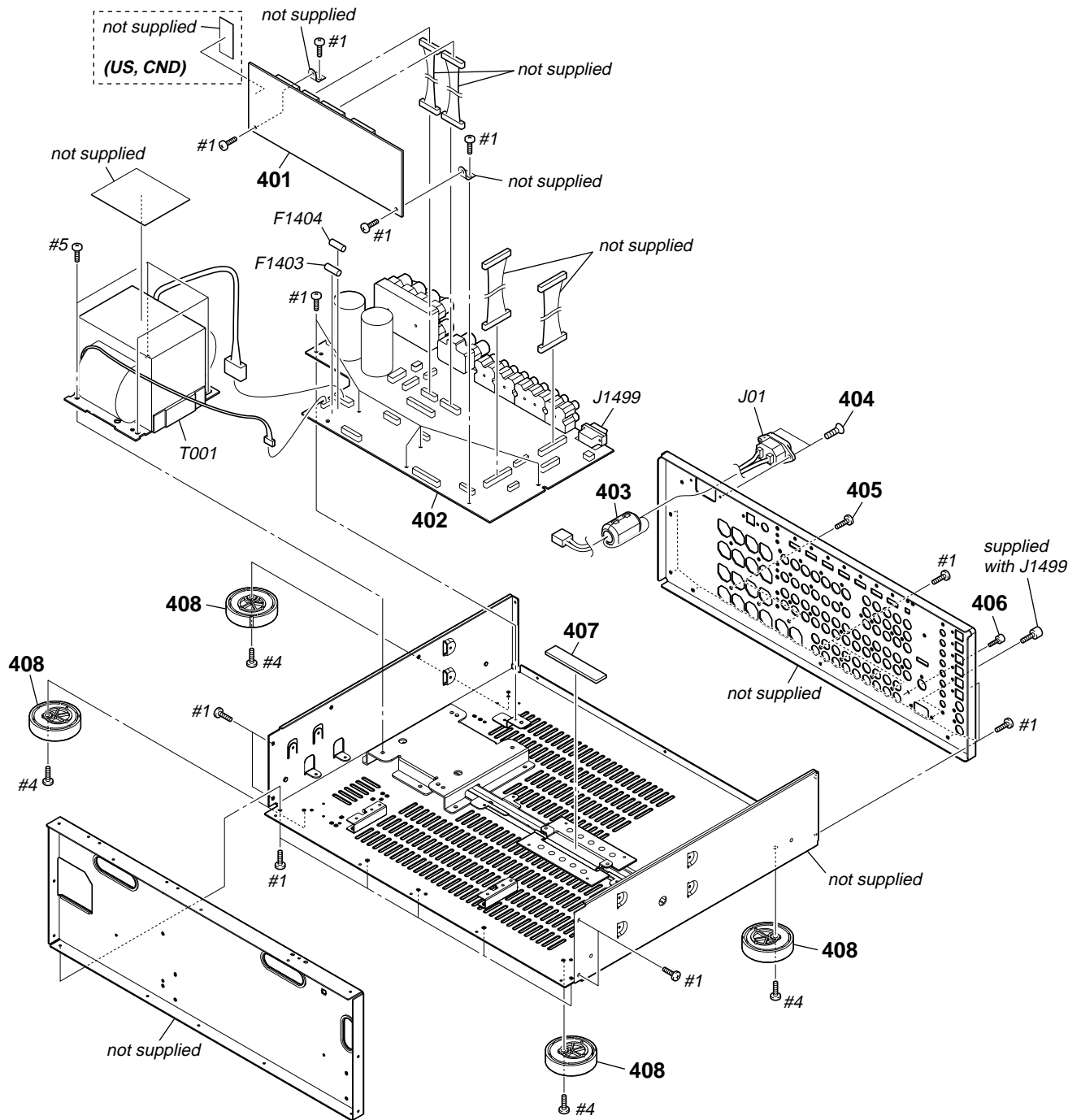
Ref. No.	Part No.	Description	Remark	Ref. No.	Part No.	Description	Remark
301	1-823-669-51	WIRE (FLAT TYPE) (11 CORE) (AEP, ECE, UK)		#1	7-685-646-79	SCREW +BVTP 3X8 TYPE2 IT-3	
301	1-828-956-51	WIRE (FLAT TYPE) (9 CORE) (US, CND)					
302	A-1252-336-A	ANALOG BOARD, COMPLETE (US, CND)		#3	7-682-547-04	SCREW +B 3X6 (US, CND)	
302	A-1252-337-A	ANALOG BOARD, COMPLETE (AEP, ECE, UK)					

**7-8. HEAT SINK SECTION**



Ref. No.	Part No.	Description	Remark	Ref. No.	Part No.	Description	Remark
351	A-1252-362-A	POWER AMPLIFIER BOARD, COMPLETE (US, CND)		Q1571	8-729-026-08	TRANSISTOR	2SC4495
351	A-1252-571-A	POWER AMPLIFIER BOARD, COMPLETE (AEP, ECE, UK)		Q1607	8-729-051-92	TRANSISTOR	2SD2560
352	A-1252-365-A	BIAS BOARD, COMPLETE (US, CND)		Q1608	8-729-051-93	TRANSISTOR	2SB1647
352	A-1252-573-A	BIAS BOARD, COMPLETE (AEP, ECE, UK)		Q1621	8-729-026-08	TRANSISTOR	2SC4495
353	A-1252-369-A	PROTECTOR (SB) BOARD, COMPLETE		Q1707	8-729-051-92	TRANSISTOR	2SD2560
354	A-1252-367-A	PROTECTOR (F-C) BOARD, COMPLETE		Q1708	8-729-051-93	TRANSISTOR	2SB1647
355	A-1252-368-A	PROTECTOR (SARR) BOARD, COMPLETE		Q1721	8-729-026-08	TRANSISTOR	2SC4495
356	A-1252-359-A	A-CLASS AMP BOARD, COMPLETE (US, CND)		Q1757	8-729-051-92	TRANSISTOR	2SD2560
356	A-1252-360-A	A-CLASS AMP BOARD, COMPLETE (AEP, ECE)		Q1758	8-729-051-93	TRANSISTOR	2SB1647
356	A-1273-357-A	A-CLASS AMP BOARD, COMPLETE (UK)		Q1771	8-729-026-08	TRANSISTOR	2SC4495
357	3-905-609-13	SCREW (TRANSISTOR)		Q1807	8-729-051-92	TRANSISTOR	2SD2560
Q1507	8-729-051-92	TRANSISTOR	2SD2560	Q1808	8-729-051-93	TRANSISTOR	2SB1647
Q1508	8-729-051-93	TRANSISTOR	2SB1647	Q1821	8-729-026-08	TRANSISTOR	2SC4495
Q1521	8-729-026-08	TRANSISTOR	2SC4495	Q1857	8-729-051-92	TRANSISTOR	2SD2560
Q1557	8-729-051-92	TRANSISTOR	2SD2560	Q1858	8-729-051-93	TRANSISTOR	2SB1647
Q1558	8-729-051-93	TRANSISTOR	2SB1647	Q1871	8-729-026-08	TRANSISTOR	2SC4495
				#1	7-685-646-79	SCREW +BVTP 3X8 TYPE2 IT-3	

7-9. MAIN BOARD SECTION



Ref. No.	Part No.	Description	Remark	Ref. No.	Part No.	Description	Remark
401	A-1252-334-A	E-VOL BOARD, COMPLETE		△F1404	1-532-504-33	FUSE (T4AL/250V)	
402	A-1252-304-A	MAIN BOARD, COMPLETE (US, CND)		△J01	1-821-082-21	INLET, AC 2P (∞ AC IN)	
402	A-1252-305-A	MAIN BOARD, COMPLETE (AEP, ECE, UK)		J1499	1-815-737-11	CONNECTOR, (D) SUB 9P (RS-232C)	
403	1-500-386-11	FILTER, CLAMP (FERRITE CORE)		△T001	1-445-238-11	TRANSFORMER, POWER (US, CND)	
404	2-580-644-01	SCREW, +KTP2 3X8		△T001	1-445-239-11	TRANSFORMER, POWER (AEP, ECE, UK)	
405	3-704-515-51	SCREW (BV/RING)		#1	7-685-646-79	SCREW +BVTP 3X8 TYPE2 IT-3	
406	4-947-010-01	SCREW, FEEDER FIXED		#4	7-685-885-09	SCREW +BVTT 4X16 (S)	
407	3-196-712-01	SHEET (H), RADIATION		#5	7-685-881-09	SCREW +BVTT 4X8 (S)	
408	X-4955-348-1	FOOT ASSY					
△F1403	1-532-504-33	FUSE (T4AL/250V)					

SECTION 8  
ELECTRICAL PARTS LIST

NOTE:

- Due to standardization, replacements in the parts list may be different from the parts specified in the diagrams or the components used on the set.
- -XX and -X mean standardized parts, so they may have some difference from the original one.
- Items marked “\*” are not stocked since they are seldom required for routine service. Some delay should be anticipated when ordering these items.
- CAPACITORS  
uF: μF
- COILS  
uH: μH

- RESISTORS  
All resistors are in ohms.  
METAL: Metal-film resistor.  
METAL OXIDE: Metal oxide-film resistor.  
F: nonflammable
- SEMICONDUCTORS  
In each case, u: μ, for example:  
uA... : μA...      uPA... : μPA...  
uPB... : μPB...    uPC... : μPC...  
uPD... : μPD...
- Abbreviation  
CND : Canadian model  
ECE : Russian and Ukrainian models

The components identified by mark  $\triangle$  or dotted line with mark  $\triangle$  are critical for safety. Replace only with part number specified.

Les composants identifiés par une marque  $\triangle$  sont critiques pour la sécurité. Ne les remplacer que par une pièce portant le numéro spécifié.

When indicating parts by reference number, please include the board.

The components identified by mark  $\hat{\square}$  contain confidential information. Strictly follow the instructions whenever the components are repaired and/or replaced.

Les composants identifiés par la marque  $\hat{\square}$  contiennent des informations confidentielles. Suivre scrupuleusement les instructions chaque fois qu'un composant est remplacé et / ou réparé.

Ref. No.	Part No.	Description	Remark
	A-1252-359-A	A-CLASS AMP BOARD, COMPLETE (US, CND)	
	A-1252-360-A	A-CLASS AMP BOARD, COMPLETE (AEP, ECE)	
	A-1273-357-A	A-CLASS AMP BOARD, COMPLETE (UK)	
	*****		
	< CAPACITOR >		
C1501	1-112-099-11	ELECT	4.7uF 20% 50V (AEP, ECE, UK)
C1501	1-126-963-11	ELECT	4.7uF 20% 50V (US, CND)
C1502	1-128-809-11	CERAMIC	100PF 5% 50V
C1503	1-137-503-11	FILM	100PF 5% 100V
C1504	1-136-357-11	FILM	680PF 5% 100V
C1505	1-104-665-11	ELECT	100uF 20% 25V (US, CND)
C1505	1-112-090-11	ELECT	100uF 20% 25V (AEP, ECE, UK)
C1507	1-107-587-11	CERAMIC	7PF 0.5PF 500V
C1508	1-112-421-11	ELECT	330uF 20% 25V (AEP, ECE, UK)
C1508	1-126-940-11	ELECT	330uF 20% 25V (US, CND)
C1510	1-112-416-11	ELECT	220uF 20% 16V (AEP, ECE, UK)
C1510	1-126-934-11	ELECT	220uF 20% 16V (US, CND)
C1511	1-107-585-11	CERAMIC	5PF 0.25PF 500V
C1515	1-107-585-11	CERAMIC	5PF 0.25PF 500V
C1551	1-112-099-11	ELECT	4.7uF 20% 50V (AEP, ECE, UK)
C1551	1-126-963-11	ELECT	4.7uF 20% 50V (US, CND)
C1552	1-128-809-11	CERAMIC	100PF 5% 50V
C1553	1-137-503-11	FILM	100PF 5% 100V
C1554	1-136-357-11	FILM	680PF 5% 100V
C1555	1-104-665-11	ELECT	100uF 20% 25V (US, CND)
C1555	1-112-090-11	ELECT	100uF 20% 25V (AEP, ECE, UK)
C1557	1-107-587-11	CERAMIC	7PF 0.5PF 500V

Ref. No.	Part No.	Description	Remark
C1558	1-112-421-11	ELECT	330uF 20% 25V (AEP, ECE, UK)
C1558	1-126-940-11	ELECT	330uF 20% 25V (US, CND)
C1560	1-112-416-11	ELECT	220uF 20% 16V (AEP, ECE, UK)
C1560	1-126-934-11	ELECT	220uF 20% 16V (US, CND)
C1561	1-107-585-11	CERAMIC	5PF 0.25PF 500V
C1565	1-107-585-11	CERAMIC	5PF 0.25PF 500V
C1601	1-112-099-11	ELECT	4.7uF 20% 50V (AEP, ECE, UK)
C1601	1-126-963-11	ELECT	4.7uF 20% 50V (US, CND)
C1602	1-128-809-11	CERAMIC	100PF 5% 50V
C1603	1-137-503-11	FILM	100PF 5% 100V
C1604	1-136-357-11	FILM	680PF 5% 100V
C1605	1-104-665-11	ELECT	100uF 20% 25V (US, CND)
C1605	1-112-090-11	ELECT	100uF 20% 25V (AEP, ECE, UK)
C1607	1-107-587-11	CERAMIC	7PF 0.5PF 500V
C1608	1-112-421-11	ELECT	330uF 20% 25V (AEP, ECE, UK)
C1608	1-126-940-11	ELECT	330uF 20% 25V (US, CND)
C1610	1-112-416-11	ELECT	220uF 20% 16V (AEP, ECE, UK)
C1610	1-126-934-11	ELECT	220uF 20% 16V (US, CND)
C1611	1-107-585-11	CERAMIC	5PF 0.25PF 500V
C1615	1-107-585-11	CERAMIC	5PF 0.25PF 500V
C1701	1-112-099-11	ELECT	4.7uF 20% 50V (AEP, ECE, UK)
C1701	1-126-963-11	ELECT	4.7uF 20% 50V (US, CND)
C1702	1-128-809-11	CERAMIC	100PF 5% 50V
C1703	1-137-503-11	FILM	100PF 5% 100V
C1704	1-136-357-11	FILM	680PF 5% 100V
C1705	1-104-665-11	ELECT	100uF 20% 25V (US, CND)

Ref. No.	Part No.	Description	Remark	Ref. No.	Part No.	Description	Remark
C1705	1-112-090-11	ELECT	100uF 20% 25V (AEP, ECE, UK)	C1852	1-128-809-11	CERAMIC	100PF 5% 50V
C1707	1-107-587-11	CERAMIC	7PF 0.5PF 500V	C1853	1-137-503-11	FILM	100PF 5% 100V
C1708	1-112-421-11	ELECT	330uF 20% 25V (AEP, ECE, UK)	C1854	1-136-357-11	FILM	680PF 5% 100V
C1708	1-126-940-11	ELECT	330uF 20% 25V (US, CND)	C1855	1-104-665-11	ELECT	100uF 20% 25V (US, CND)
C1710	1-112-416-11	ELECT	220uF 20% 16V (AEP, ECE, UK)	C1857	1-107-587-11	CERAMIC	7PF 0.5PF 500V
C1710	1-126-934-11	ELECT	220uF 20% 16V (US, CND)	C1858	1-112-421-11	ELECT	330uF 20% 25V (AEP, ECE, UK)
C1711	1-107-585-11	CERAMIC	5PF 0.25PF 500V	C1858	1-126-940-11	ELECT	330uF 20% 25V (US, CND)
C1715	1-107-585-11	CERAMIC	5PF 0.25PF 500V	C1860	1-112-416-11	ELECT	220uF 20% 16V (AEP, ECE, UK)
C1751	1-112-099-11	ELECT	4.7uF 20% 50V (AEP, ECE, UK)	C1860	1-126-934-11	ELECT	220uF 20% 16V (US, CND)
C1751	1-126-963-11	ELECT	4.7uF 20% 50V (US, CND)	C1861	1-107-585-11	CERAMIC	5PF 0.25PF 500V
C1752	1-128-809-11	CERAMIC	100PF 5% 50V	C1865	1-107-585-11	CERAMIC	5PF 0.25PF 500V
C1753	1-137-503-11	FILM	100PF 5% 100V	C1901	1-112-109-11	ELECT	22uF 20% 100V (AEP, ECE, UK)
C1754	1-136-357-11	FILM	680PF 5% 100V	C1901	1-128-560-11	ELECT	22uF 20% 100V (US, CND)
C1755	1-104-665-11	ELECT	100uF 20% 25V (US, CND)	C1902	1-112-109-11	ELECT	22uF 20% 100V (AEP, ECE, UK)
C1755	1-112-090-11	ELECT	100uF 20% 25V (AEP, ECE, UK)	C1902	1-128-560-11	ELECT	22uF 20% 100V (US, CND)
C1757	1-107-587-11	CERAMIC	7PF 0.5PF 500V	C1911	1-126-791-11	ELECT	10uF 20% 35V
C1758	1-112-421-11	ELECT	330uF 20% 25V (AEP, ECE, UK)	C1912	1-127-888-11	CERAMIC	0.1uF 10% 50V
C1758	1-126-940-11	ELECT	330uF 20% 25V (US, CND)	< CONNECTOR >			
C1760	1-112-416-11	ELECT	220uF 20% 16V (AEP, ECE, UK)	CN1504	1-764-864-41	CONNECTOR, BOARD TO BOARD	12P
C1760	1-126-934-11	ELECT	220uF 20% 16V (US, CND)	CN1505	1-573-829-11	CONNECTOR, BOARD TO BOARD	15P
C1761	1-107-585-11	CERAMIC	5PF 0.25PF 500V	CN1905	1-764-864-41	CONNECTOR, BOARD TO BOARD	12P
C1765	1-107-585-11	CERAMIC	5PF 0.25PF 500V	CN1906	1-764-864-41	CONNECTOR, BOARD TO BOARD	12P
C1801	1-112-099-11	ELECT	4.7uF 20% 50V (AEP, ECE, UK)	CN1907	1-770-011-41	CONNECTOR, BOARD TO BOARD	4P
C1801	1-126-963-11	ELECT	4.7uF 20% 50V (US, CND)	CN1908	1-784-031-41	CONNECTOR, BOARD TO BOARD	8P
C1802	1-128-809-11	CERAMIC	100PF 5% 50V	CN1909	1-784-921-11	PIN, CONNECTOR	4P
C1803	1-137-503-11	FILM	100PF 5% 100V	< DIODE >			
C1804	1-136-357-11	FILM	680PF 5% 100V	D1501	8-719-109-93	DIODE	RD6.2ESB2
C1805	1-104-665-11	ELECT	100uF 20% 25V (US, CND)	D1551	8-719-109-93	DIODE	RD6.2ESB2
C1805	1-112-090-11	ELECT	100uF 20% 25V (AEP, ECE, UK)	D1601	8-719-109-93	DIODE	RD6.2ESB2
C1807	1-107-587-11	CERAMIC	7PF 0.5PF 500V	D1701	8-719-109-93	DIODE	RD6.2ESB2
C1808	1-112-421-11	ELECT	330uF 20% 25V (AEP, ECE, UK)	D1751	8-719-109-93	DIODE	RD6.2ESB2
C1808	1-126-940-11	ELECT	330uF 20% 25V (US, CND)	D1801	8-719-109-93	DIODE	RD6.2ESB2
C1810	1-112-416-11	ELECT	220uF 20% 16V (AEP, ECE, UK)	D1851	8-719-109-93	DIODE	RD6.2ESB2
C1810	1-126-934-11	ELECT	220uF 20% 16V (US, CND)	D1901	8-719-991-33	DIODE	1SS133T-77
C1811	1-107-585-11	CERAMIC	5PF 0.25PF 500V	D1902	8-719-991-33	DIODE	1SS133T-77
C1815	1-107-585-11	CERAMIC	5PF 0.25PF 500V	D1903	8-719-991-33	DIODE	1SS133T-77
C1851	1-112-099-11	ELECT	4.7uF 20% 50V (AEP, ECE, UK)	D1907	8-719-991-33	DIODE	1SS133T-77
C1851	1-126-963-11	ELECT	4.7uF 20% 50V (US, CND)	D1911	8-719-991-33	DIODE	1SS133T-77
				< IC >			
				IC1902	8-759-167-88	IC	NJM4565D
				IC1904	8-759-239-14	IC	TA78L05S
				< TRANSISTOR >			
				Q1501	8-729-045-15	TRANSISTOR	2SC5169-FG
				Q1502	8-729-042-09	TRANSISTOR	2SA1038S-RSE-TP

## STR-DA5300ES

## A-CLASS AMP

Ref. No.	Part No.	Description	Remark	Ref. No.	Part No.	Description	Remark
Q1503	8-729-042-09	TRANSISTOR	2SA1038S-RSE-TP				
Q1504	8-729-021-73	TRANSISTOR	2SC2229-OY	△ R1553	1-249-409-11	CARBON	220 5% 1/4W F
Q1505	8-729-021-74	TRANSISTOR	2SA949-OY	△ R1554	1-249-409-11	CARBON	220 5% 1/4W F
				R1555	1-259-410-61	CARBON	180 5% 1/6W
Q1551	8-729-045-15	TRANSISTOR	2SC5169-FG	R1556	1-259-440-61	CARBON	3.3K 5% 1/6W
Q1552	8-729-042-09	TRANSISTOR	2SA1038S-RSE-TP	R1557	1-259-436-61	CARBON	2.2K 5% 1/6W
Q1553	8-729-042-09	TRANSISTOR	2SA1038S-RSE-TP				
Q1554	8-729-021-73	TRANSISTOR	2SC2229-OY	R1559	1-260-116-11	CARBON	27K 5% 1/2W
Q1555	8-729-021-74	TRANSISTOR	2SA949-OY	△ R1561	1-249-405-11	CARBON	100 5% 1/4W F
				R1562	1-247-764-11	CARBON	10K 5% 1/2W
Q1601	8-729-045-15	TRANSISTOR	2SC5169-FG	R1563	1-247-759-11	CARBON	3.9K 5% 1/2W
Q1602	8-729-042-09	TRANSISTOR	2SA1038S-RSE-TP	R1564	1-249-496-11	CARBON	100K 5% 1/2W
Q1603	8-729-042-09	TRANSISTOR	2SA1038S-RSE-TP				
Q1604	8-729-021-73	TRANSISTOR	2SC2229-OY	R1601	1-259-428-61	CARBON	1K 5% 1/6W
Q1605	8-729-021-74	TRANSISTOR	2SA949-OY	R1602	1-259-476-61	CARBON	100K 5% 1/6W
				△ R1603	1-249-409-11	CARBON	220 5% 1/4W F
Q1701	8-729-045-15	TRANSISTOR	2SC5169-FG	△ R1604	1-249-409-11	CARBON	220 5% 1/4W F
Q1702	8-729-042-09	TRANSISTOR	2SA1038S-RSE-TP	R1605	1-259-410-61	CARBON	180 5% 1/6W
Q1703	8-729-042-09	TRANSISTOR	2SA1038S-RSE-TP				
Q1704	8-729-021-73	TRANSISTOR	2SC2229-OY	R1606	1-259-440-61	CARBON	3.3K 5% 1/6W
Q1705	8-729-021-74	TRANSISTOR	2SA949-OY	R1607	1-259-436-61	CARBON	2.2K 5% 1/6W
				R1609	1-260-116-11	CARBON	27K 5% 1/2W
Q1751	8-729-045-15	TRANSISTOR	2SC5169-FG	△ R1611	1-249-405-11	CARBON	100 5% 1/4W F
Q1752	8-729-042-09	TRANSISTOR	2SA1038S-RSE-TP	R1612	1-247-764-11	CARBON	10K 5% 1/2W
Q1753	8-729-042-09	TRANSISTOR	2SA1038S-RSE-TP				
Q1754	8-729-021-73	TRANSISTOR	2SC2229-OY	R1613	1-247-759-11	CARBON	3.9K 5% 1/2W
Q1755	8-729-021-74	TRANSISTOR	2SA949-OY	R1614	1-249-496-11	CARBON	100K 5% 1/2W
				R1701	1-259-428-61	CARBON	1K 5% 1/6W
Q1801	8-729-045-15	TRANSISTOR	2SC5169-FG	R1702	1-259-476-61	CARBON	100K 5% 1/6W
Q1802	8-729-042-09	TRANSISTOR	2SA1038S-RSE-TP	△ R1703	1-249-409-11	CARBON	220 5% 1/4W F
Q1803	8-729-042-09	TRANSISTOR	2SA1038S-RSE-TP				
Q1804	8-729-021-73	TRANSISTOR	2SC2229-OY	△ R1704	1-249-409-11	CARBON	220 5% 1/4W F
Q1805	8-729-021-74	TRANSISTOR	2SA949-OY	R1705	1-259-410-61	CARBON	180 5% 1/6W
				R1706	1-259-440-61	CARBON	3.3K 5% 1/6W
Q1851	8-729-045-15	TRANSISTOR	2SC5169-FG	R1707	1-259-436-61	CARBON	2.2K 5% 1/6W
Q1852	8-729-042-09	TRANSISTOR	2SA1038S-RSE-TP	R1709	1-260-116-11	CARBON	27K 5% 1/2W
Q1853	8-729-042-09	TRANSISTOR	2SA1038S-RSE-TP				
Q1854	8-729-021-73	TRANSISTOR	2SC2229-OY	△ R1711	1-249-405-11	CARBON	100 5% 1/4W F
Q1855	8-729-021-74	TRANSISTOR	2SA949-OY	R1712	1-247-764-11	CARBON	10K 5% 1/2W
				R1713	1-247-759-11	CARBON	3.9K 5% 1/2W
Q1901	8-729-042-09	TRANSISTOR	2SA1038S-RSE-TP	R1714	1-249-496-11	CARBON	100K 5% 1/2W
Q1902	8-729-140-96	TRANSISTOR	2SD774-34	R1751	1-259-428-61	CARBON	1K 5% 1/6W
Q1903	8-729-140-96	TRANSISTOR	2SD774-34				
Q1910	8-729-029-94	TRANSISTOR	DTC143TSA	R1752	1-259-476-61	CARBON	100K 5% 1/6W
Q1911	8-729-029-86	TRANSISTOR	DTC124ESA	△ R1753	1-249-409-11	CARBON	220 5% 1/4W F
				△ R1754	1-249-409-11	CARBON	220 5% 1/4W F
Q1912	8-729-029-86	TRANSISTOR	DTC124ESA	R1755	1-259-410-61	CARBON	180 5% 1/6W
Q1913	8-729-029-86	TRANSISTOR	DTC124ESA	R1756	1-259-440-61	CARBON	3.3K 5% 1/6W
Q1914	8-729-029-86	TRANSISTOR	DTC124ESA				
		< RESISTOR >		R1757	1-259-436-61	CARBON	2.2K 5% 1/6W
				R1759	1-260-116-11	CARBON	27K 5% 1/2W
R1501	1-259-428-61	CARBON	1K 5% 1/6W	△ R1761	1-249-405-11	CARBON	100 5% 1/4W F
R1502	1-259-476-61	CARBON	100K 5% 1/6W	R1762	1-247-764-11	CARBON	10K 5% 1/2W
△ R1503	1-249-409-11	CARBON	220 5% 1/4W F	R1763	1-247-759-11	CARBON	3.9K 5% 1/2W
△ R1504	1-249-409-11	CARBON	220 5% 1/4W F				
R1505	1-259-410-61	CARBON	180 5% 1/6W	R1764	1-249-496-11	CARBON	100K 5% 1/2W
				R1801	1-259-428-61	CARBON	1K 5% 1/6W
R1506	1-259-440-61	CARBON	3.3K 5% 1/6W	R1802	1-259-476-61	CARBON	100K 5% 1/6W
R1507	1-259-436-61	CARBON	2.2K 5% 1/6W	△ R1803	1-249-409-11	CARBON	220 5% 1/4W F
R1509	1-260-116-11	CARBON	27K 5% 1/2W	△ R1804	1-249-409-11	CARBON	220 5% 1/4W F
△ R1511	1-249-405-11	CARBON	100 5% 1/4W F				
R1512	1-247-764-11	CARBON	10K 5% 1/2W	R1805	1-259-410-61	CARBON	180 5% 1/6W
				R1806	1-259-440-61	CARBON	3.3K 5% 1/6W
R1513	1-247-759-11	CARBON	3.9K 5% 1/2W	R1807	1-259-436-61	CARBON	2.2K 5% 1/6W
R1514	1-249-496-11	CARBON	100K 5% 1/2W	R1809	1-260-116-11	CARBON	27K 5% 1/2W
R1549	1-259-476-61	CARBON	100K 5% 1/6W	△ R1811	1-249-405-11	CARBON	100 5% 1/4W F
R1551	1-259-428-61	CARBON	1K 5% 1/6W				
R1552	1-259-476-61	CARBON	100K 5% 1/6W	R1812	1-247-764-11	CARBON	10K 5% 1/2W
				R1813	1-247-759-11	CARBON	3.9K 5% 1/2W



Ref. No.	Part No.	Description			Remark	Ref. No.	Part No.	Description			Remark
R1814	1-249-496-11	CARBON	100K	5%	1/2W	C6011	1-107-826-11	CERAMIC CHIP	0.1uF	10%	16V
R1851	1-259-428-61	CARBON	1K	5%	1/6W	C6012	1-107-826-11	CERAMIC CHIP	0.1uF	10%	16V
R1852	1-259-476-61	CARBON	100K	5%	1/6W	C6013	1-126-947-11	ELECT	47uF	20%	35V
△R1853	1-249-409-11	CARBON	220	5%	1/4W F	C6014	1-126-947-11	ELECT	47uF	20%	35V
△R1854	1-249-409-11	CARBON	220	5%	1/4W F	C6204	1-126-964-11	ELECT	10uF	20%	50V
R1855	1-259-410-61	CARBON	180	5%	1/6W	C6205	1-126-964-11	ELECT	10uF	20%	50V
R1856	1-259-440-61	CARBON	3.3K	5%	1/6W	C6206	1-126-964-11	ELECT	10uF	20%	50V
R1857	1-259-436-61	CARBON	2.2K	5%	1/6W	C6207	1-126-964-11	ELECT	10uF	20%	50V
R1859	1-260-116-11	CARBON	27K	5%	1/2W	C6208	1-126-964-11	ELECT	10uF	20%	50V
△R1861	1-249-405-11	CARBON	100	5%	1/4W F	C6209	1-126-964-11	ELECT	10uF	20%	50V
R1862	1-247-764-11	CARBON	10K	5%	1/2W	C6210	1-126-964-11	ELECT	10uF	20%	50V
R1863	1-247-759-11	CARBON	3.9K	5%	1/2W	C6211	1-126-964-11	ELECT	10uF	20%	50V
R1864	1-249-496-11	CARBON	100K	5%	1/2W	C6212	1-162-923-11	CERAMIC CHIP	47PF	5%	50V
R1901	1-259-460-61	CARBON	22K	5%	1/6W	C6213	1-162-923-11	CERAMIC CHIP	47PF	5%	50V
R1902	1-259-460-61	CARBON	22K	5%	1/6W	C6214	1-126-964-11	ELECT	10uF	20%	50V
△R1903	1-249-393-11	CARBON	10	5%	1/4W F	C6216	1-107-826-11	CERAMIC CHIP	0.1uF	10%	16V
R1904	1-259-460-61	CARBON	22K	5%	1/6W	C6217	1-107-826-11	CERAMIC CHIP	0.1uF	10%	16V
△R1905	1-215-890-11	METAL OXIDE	470	5%	2W F (US, CND, AEP, ECE)	C6218	1-107-826-11	CERAMIC CHIP	0.1uF	10%	16V
△R1905	1-215-891-11	METAL OXIDE	680	5%	2W F (UK)	C6219	1-107-826-11	CERAMIC CHIP	0.1uF	10%	16V
R1906	1-259-460-61	CARBON	22K	5%	1/6W	C6220	1-107-826-11	CERAMIC CHIP	0.1uF	10%	16V
R1907	1-259-476-61	CARBON	100K	5%	1/6W	C6221	1-107-826-11	CERAMIC CHIP	0.1uF	10%	16V
△R1908	1-215-888-00	METAL OXIDE	220	5%	2W F (AEP, ECE, UK)	C6222	1-107-826-11	CERAMIC CHIP	0.1uF	10%	16V
△R1908	1-216-453-00	METAL OXIDE	270	5%	2W F (US, CND)	C6223	1-107-826-11	CERAMIC CHIP	0.1uF	10%	16V
R1909	1-249-435-11	CARBON	33K	5%	1/4W	C6224	1-107-826-11	CERAMIC CHIP	0.1uF	10%	16V
R1910	1-247-891-00	CARBON	330K	5%	1/4W	C6225	1-107-826-11	CERAMIC CHIP	0.1uF	10%	16V
R1920	1-247-831-91	CARBON	1K	5%	1/4W	C6226	1-126-947-11	ELECT	47uF	20%	35V
R1921	1-247-862-11	CARBON	20K	5%	1/4W	C6227	1-126-947-11	ELECT	47uF	20%	35V
R1922	1-247-843-11	CARBON	3.3K	5%	1/4W	C6304	1-107-826-11	CERAMIC CHIP	0.1uF	10%	16V
R1924	1-249-429-11	CARBON	10K	5%	1/4W	C6306	1-104-658-91	ELECT	100uF	20%	10V
R1925	1-247-862-11	CARBON	20K	5%	1/4W (US, CND)	C6307	1-126-962-11	ELECT	3.3uF	20%	50V
R1925	1-247-864-11	CARBON	24K	5%	1/4W (AEP, ECE, UK)	C6319	1-126-947-11	ELECT	47uF	20%	35V
R1927	1-249-429-11	CARBON	10K	5%	1/4W	C6320	1-126-947-11	ELECT	47uF	20%	35V
R1930	1-249-429-11	CARBON	10K	5%	1/4W	C6321	1-126-947-11	ELECT	47uF	20%	35V
R1931	1-247-831-91	CARBON	1K	5%	1/4W	C6322	1-126-947-11	ELECT	47uF	20%	35V
R1932	1-249-429-11	CARBON	10K	5%	1/4W	C6323	1-126-947-11	ELECT	47uF	20%	35V
R1936	1-249-426-11	CARBON	5.6K	5%	1/4W	C6324	1-126-947-11	ELECT	47uF	20%	35V
R1937	1-249-421-11	CARBON	2.2K	5%	1/4W	C6332	1-126-947-11	ELECT	47uF	20%	35V
*****											
A-1252-339-A		A-VIDEO BOARD, COMPLETE									
*****											
< CAPACITOR >											
C6001	1-126-964-11	ELECT	10uF	20%	50V	C6518	1-107-826-11	CERAMIC CHIP	0.1uF	10%	16V
C6002	1-126-964-11	ELECT	10uF	20%	50V	C6519	1-107-826-11	CERAMIC CHIP	0.1uF	10%	16V
C6003	1-126-964-11	ELECT	10uF	20%	50V	C6520	1-162-927-11	CERAMIC CHIP	100PF	5%	50V
C6004	1-126-964-11	ELECT	10uF	20%	50V	C6521	1-162-927-11	CERAMIC CHIP	100PF	5%	50V
C6005	1-126-964-11	ELECT	10uF	20%	50V	C6522	1-162-923-11	CERAMIC CHIP	47PF	5%	50V
C6006	1-126-964-11	ELECT	10uF	20%	50V	C6523	1-162-923-11	CERAMIC CHIP	47PF	5%	50V
C6007	1-126-964-11	ELECT	10uF	20%	50V	C6524	1-126-933-11	ELECT	100uF	20%	16V
C6008	1-126-964-11	ELECT	10uF	20%	50V	C6525	1-107-826-11	CERAMIC CHIP	0.1uF	10%	16V
C6009	1-126-964-11	ELECT	10uF	20%	50V	C6526	1-107-826-11	CERAMIC CHIP	0.1uF	10%	16V
C6010	1-107-826-11	CERAMIC CHIP	0.1uF	10%	16V	C6527	1-126-964-11	ELECT	10uF	20%	50V
						C6528	1-126-964-11	ELECT	10uF	20%	50V
						C6529	1-126-964-11	ELECT	10uF	20%	50V
						C6530	1-126-964-11	ELECT	10uF	20%	50V

# STR-DA5300ES

## A-VIDEO

Ref. No.	Part No.	Description			Remark
C6532	1-126-933-11	ELECT	100uF	20%	16V
C6533	1-126-933-11	ELECT	100uF	20%	16V
C6534	1-107-826-11	CERAMIC CHIP	0.1uF	10%	16V
C6535	1-107-826-11	CERAMIC CHIP	0.1uF	10%	16V
C6539	1-107-826-11	CERAMIC CHIP	0.1uF	10%	16V
C6545	1-112-096-11	ELECT	1uF	20%	50V
C6547	1-112-096-11	ELECT	1uF	20%	50V
C6548	1-126-925-91	ELECT	470uF	20%	10V
C6549	1-126-947-11	ELECT	47uF	20%	35V
C6550	1-126-947-11	ELECT	47uF	20%	35V
C6552	1-107-826-11	CERAMIC CHIP	0.1uF	10%	16V
C6553	1-107-826-11	CERAMIC CHIP	0.1uF	10%	16V
C6557	1-107-826-11	CERAMIC CHIP	0.1uF	10%	16V
C6558	1-107-826-11	CERAMIC CHIP	0.1uF	10%	16V
C6559	1-162-927-11	CERAMIC CHIP	100PF	5%	50V
C6560	1-107-826-11	CERAMIC CHIP	0.1uF	10%	16V
C6561	1-126-964-11	ELECT	10uF	20%	50V
C6562	1-107-826-11	CERAMIC CHIP	0.1uF	10%	16V
C6563	1-126-927-11	ELECT	2200uF	20%	10V
C6564	1-126-964-11	ELECT	10uF	20%	50V
C6565	1-126-964-11	ELECT	10uF	20%	50V
C6566	1-126-964-11	ELECT	10uF	20%	50V
C6567	1-126-964-11	ELECT	10uF	20%	50V
C6568	1-126-964-11	ELECT	10uF	20%	50V
C6569	1-126-964-11	ELECT	10uF	20%	50V
C6570	1-126-964-11	ELECT	10uF	20%	50V
C6571	1-126-964-11	ELECT	10uF	20%	50V
C6572	1-126-964-11	ELECT	10uF	20%	50V
C6573	1-107-826-11	CERAMIC CHIP	0.1uF	10%	16V
C6574	1-107-826-11	CERAMIC CHIP	0.1uF	10%	16V
C6575	1-107-826-11	CERAMIC CHIP	0.1uF	10%	16V
C6579	1-107-826-11	CERAMIC CHIP	0.1uF	10%	16V
C6580	1-107-826-11	CERAMIC CHIP	0.1uF	10%	16V
C6581	1-104-658-91	ELECT	100uF	20%	10V
C6582	1-126-962-11	ELECT	3.3uF	20%	50V
C6583	1-104-658-91	ELECT	100uF	20%	10V
C6584	1-126-962-11	ELECT	3.3uF	20%	50V
C6585	1-107-826-11	CERAMIC CHIP	0.1uF	10%	16V
C6586	1-107-826-11	CERAMIC CHIP	0.1uF	10%	16V
C6587	1-126-925-91	ELECT	470uF	20%	10V
C6588	1-162-923-11	CERAMIC CHIP	47PF	5%	50V
C6589	1-126-933-11	ELECT	100uF	20%	16V
C6590	1-126-933-11	ELECT	100uF	20%	16V
C6591	1-126-933-11	ELECT	100uF	20%	16V
C6592	1-107-826-11	CERAMIC CHIP	0.1uF	10%	16V
C6593	1-107-826-11	CERAMIC CHIP	0.1uF	10%	16V
C6594	1-112-096-11	ELECT	1uF	20%	50V
C6595	1-112-096-11	ELECT	1uF	20%	50V
< CONNECTOR >					
CN6505	1-817-615-21	CONNECTOR BOARD TO BOARD 18P (DMPORT)			
CN6507	1-770-408-11	CONNECTOR, BOARD TO BOARD 14P			
CN6509	1-779-289-11	CONNECTOR, FFC (LIF (NON-ZIF)) 21P			
CN6518	1-691-768-11	PLUG (MICRO CONNECTOR) 6P			
CN6519	1-784-924-11	PIN, CONNECTOR 8P			

Ref. No.	Part No.	Description	Remark
		< DIODE >	
D6001	6-501-817-01	DIODE MA2J1110GLSO	
D6201	6-501-817-01	DIODE MA2J1110GLSO	
D6202	6-501-817-01	DIODE MA2J1110GLSO	
D6302	6-501-817-01	DIODE MA2J1110GLSO	
D6501	6-501-817-01	DIODE MA2J1110GLSO	
D6502	6-501-817-01	DIODE MA2J1110GLSO	
D6503	6-501-817-01	DIODE MA2J1110GLSO	
D6504	6-501-817-01	DIODE MA2J1110GLSO	
D6505	6-501-817-01	DIODE MA2J1110GLSO	
< IC >			
IC6001	6-706-767-01	IC NJM2586AM	
IC6201	6-704-199-01	IC NJM2595M-TE2	
IC6202	6-704-199-01	IC NJM2595M-TE2	
IC6302	8-759-822-05	IC LA7213	
IC6306	8-759-443-11	IC NJM2283M-TE1	
IC6505	8-759-268-29	IC SN74HC595ANS	
IC6506	8-759-268-29	IC SN74HC595ANS	
IC6507	8-759-353-02	IC NJM2533M (TE2)	
IC6508	8-759-353-02	IC NJM2533M (TE2)	
IC6509	8-759-822-05	IC LA7213	
IC6511	8-759-663-94	IC LA7106M-TLM	
IC6512	8-759-710-97	IC NJM4565M-D	
IC6513	6-705-469-01	IC BA50BC0FP-E2	
IC6517	6-705-469-01	IC BA50BC0FP-E2	
IC6518	6-711-057-01	IC ADA4412-3ARQZ-RL	
IC6519	8-759-238-47	IC TC74HCT7007AF (EL)	
IC6520	8-759-822-05	IC LA7213	
IC6521	6-706-767-01	IC NJM2586AM	
IC6522	8-759-268-29	IC SN74HC595ANS	
< JACK >			
J6001	1-815-360-11	JACK, PIN 3P (COMPONENT VIDEO ASSIGNABLE (INPUT ONLY) MONITOR OUT)	
J6002	1-816-592-11	JACK, PIN 9P (COMPONENT VIDEO ASSIGNABLE (INPUT ONLY) SAT/CATV/DVD/BD/VIDEO 1 IN)	
J6201	1-770-337-11	JACK, PIN 3P (SAT/CATV/DVD/BD/VIDEO 2 VIDEO IN)	
J6203	1-518-043-11	JACK, PIN 2P (VIDEO 1 VIDEO IN, VIDEO 1 VIDEO OUT)	
J6204	1-815-360-11	JACK, PIN 3P (COMPONENT VIDEO ASSIGNABLE (INPUT ONLY) ZONE 2 OUT)	
J6205	1-518-043-11	JACK, PIN 2P (MONITOR VIDEO OUT, ZONE 2 VIDEO OUT)	
< COIL >			
L6001	1-469-525-91	INDUCTOR	10uH
L6002	1-469-525-91	INDUCTOR	10uH
L6201	1-469-525-91	INDUCTOR	10uH
L6202	1-469-525-91	INDUCTOR	10uH
L6203	1-469-525-91	INDUCTOR	10uH
L6204	1-469-525-91	INDUCTOR	10uH
L6205	1-424-700-21	INDUCTOR	100uH
L6206	1-424-700-21	INDUCTOR	100uH
L6207	1-469-525-91	INDUCTOR	10uH
L6208	1-469-525-91	INDUCTOR	10uH

Ref. No.	Part No.	Description	Remark	Ref. No.	Part No.	Description	Remark
< TRANSISTOR >							
Q6001	8-729-230-49	TRANSISTOR	2SC2712-YG	R6519	1-216-809-11	METAL CHIP	100 5% 1/10W
Q6301	8-729-027-59	TRANSISTOR	DTC144EKA-T146	R6520	1-211-990-11	METAL CHIP	75 0.5% 1/10W
Q6302	8-729-230-49	TRANSISTOR	2SC2712-YG	R6521	1-216-809-11	METAL CHIP	100 5% 1/10W
Q6303	8-729-027-59	TRANSISTOR	DTC144EKA-T146	R6522	1-216-809-11	METAL CHIP	100 5% 1/10W
Q6304	8-729-027-59	TRANSISTOR	DTC144EKA-T146	R6523	1-216-809-11	METAL CHIP	100 5% 1/10W
< RESISTOR >							
R6001	1-211-990-11	METAL CHIP	75 0.5% 1/10W	R6524	1-216-809-11	METAL CHIP	100 5% 1/10W
R6002	1-211-990-11	METAL CHIP	75 0.5% 1/10W	R6525	1-216-809-11	METAL CHIP	100 5% 1/10W
R6003	1-211-990-11	METAL CHIP	75 0.5% 1/10W	R6526	1-216-809-11	METAL CHIP	100 5% 1/10W
R6004	1-211-990-11	METAL CHIP	75 0.5% 1/10W	R6527	1-216-809-11	METAL CHIP	100 5% 1/10W
R6005	1-211-990-11	METAL CHIP	75 0.5% 1/10W	R6529	1-216-809-11	METAL CHIP	100 5% 1/10W
R6006	1-211-990-11	METAL CHIP	75 0.5% 1/10W	R6530	1-216-809-11	METAL CHIP	100 5% 1/10W
R6007	1-211-990-11	METAL CHIP	75 0.5% 1/10W	R6531	1-216-809-11	METAL CHIP	100 5% 1/10W
R6008	1-211-990-11	METAL CHIP	75 0.5% 1/10W	R6532	1-216-809-11	METAL CHIP	100 5% 1/10W
R6009	1-211-990-11	METAL CHIP	75 0.5% 1/10W	R6533	1-216-809-11	METAL CHIP	100 5% 1/10W
R6010	1-211-990-11	METAL CHIP	75 0.5% 1/10W	R6534	1-216-809-11	METAL CHIP	100 5% 1/10W
R6011	1-211-990-11	METAL CHIP	75 0.5% 1/10W	R6535	1-216-809-11	METAL CHIP	100 5% 1/10W
R6012	1-211-990-11	METAL CHIP	75 0.5% 1/10W	R6536	1-216-809-11	METAL CHIP	100 5% 1/10W
R6013	1-211-990-11	METAL CHIP	75 0.5% 1/10W	△R6538	1-249-393-11	CARBON	10 5% 1/4W F
R6014	1-211-990-11	METAL CHIP	75 0.5% 1/10W	R6539	1-216-821-11	METAL CHIP	1K 5% 1/10W
R6015	1-211-990-11	METAL CHIP	75 0.5% 1/10W	R6540	1-216-833-11	METAL CHIP	10K 5% 1/10W
△R6016	1-249-393-11	CARBON	10 5% 1/4W F	R6541	1-216-837-11	METAL CHIP	22K 5% 1/10W
R6017	1-216-821-11	METAL CHIP	1K 5% 1/10W	R6542	1-216-837-11	METAL CHIP	22K 5% 1/10W
R6018	1-216-833-11	METAL CHIP	10K 5% 1/10W	R6543	1-216-837-11	METAL CHIP	22K 5% 1/10W
R6201	1-211-990-11	METAL CHIP	75 0.5% 1/10W	R6544	1-216-837-11	METAL CHIP	22K 5% 1/10W
R6202	1-211-990-11	METAL CHIP	75 0.5% 1/10W	R6545	1-216-837-11	METAL CHIP	22K 5% 1/10W
R6203	1-211-990-11	METAL CHIP	75 0.5% 1/10W	R6546	1-216-837-11	METAL CHIP	22K 5% 1/10W
R6204	1-211-990-11	METAL CHIP	75 0.5% 1/10W	R6547	1-216-837-11	METAL CHIP	22K 5% 1/10W
R6205	1-211-990-11	METAL CHIP	75 0.5% 1/10W	R6548	1-216-837-11	METAL CHIP	22K 5% 1/10W
R6206	1-211-990-11	METAL CHIP	75 0.5% 1/10W	R6550	1-216-829-11	METAL CHIP	4.7K 5% 1/10W
R6207	1-211-990-11	METAL CHIP	75 0.5% 1/10W	R6556	1-211-990-11	METAL CHIP	75 0.5% 1/10W
R6208	1-211-990-11	METAL CHIP	75 0.5% 1/10W	R6557	1-211-990-11	METAL CHIP	75 0.5% 1/10W
R6209	1-211-990-11	METAL CHIP	75 0.5% 1/10W	R6558	1-211-990-11	METAL CHIP	75 0.5% 1/10W
R6210	1-211-990-11	METAL CHIP	75 0.5% 1/10W	R6559	1-211-990-11	METAL CHIP	75 0.5% 1/10W
R6211	1-216-845-11	METAL CHIP	100K 5% 1/10W	R6560	1-211-990-11	METAL CHIP	75 0.5% 1/10W
R6302	1-216-821-11	METAL CHIP	1K 5% 1/10W	R6562	1-211-990-11	METAL CHIP	75 0.5% 1/10W
R6303	1-216-829-11	METAL CHIP	4.7K 5% 1/10W	R6563	1-211-990-11	METAL CHIP	75 0.5% 1/10W
R6304	1-216-847-11	METAL CHIP	150K 5% 1/10W	R6564	1-211-990-11	METAL CHIP	75 0.5% 1/10W
R6305	1-216-815-11	METAL CHIP	330 5% 1/10W	R6565	1-211-990-11	METAL CHIP	75 0.5% 1/10W
R6306	1-211-990-11	METAL CHIP	75 0.5% 1/10W	R6566	1-216-833-11	METAL CHIP	10K 5% 1/10W
R6307	1-211-990-11	METAL CHIP	75 0.5% 1/10W	R6567	1-216-833-11	METAL CHIP	10K 5% 1/10W
R6308	1-211-990-11	METAL CHIP	75 0.5% 1/10W	R6568	1-216-833-11	METAL CHIP	10K 5% 1/10W
R6309	1-216-841-11	METAL CHIP	47K 5% 1/10W	R6569	1-216-833-11	METAL CHIP	10K 5% 1/10W
R6310	1-216-841-11	METAL CHIP	47K 5% 1/10W	R6570	1-216-809-11	METAL CHIP	100 5% 1/10W
R6311	1-216-841-11	METAL CHIP	47K 5% 1/10W	R6571	1-216-821-11	METAL CHIP	1K 5% 1/10W
R6312	1-216-841-11	METAL CHIP	47K 5% 1/10W	R6572	1-216-824-11	METAL CHIP	1.8K 5% 1/10W
R6313	1-216-841-11	METAL CHIP	47K 5% 1/10W	R6573	1-216-824-11	METAL CHIP	1.8K 5% 1/10W
R6314	1-216-841-11	METAL CHIP	47K 5% 1/10W	R6574	1-216-824-11	METAL CHIP	1.8K 5% 1/10W
R6343	1-216-809-11	METAL CHIP	100 5% 1/10W	R6575	1-216-821-11	METAL CHIP	1K 5% 1/10W
R6344	1-216-809-11	METAL CHIP	100 5% 1/10W	R6576	1-216-809-11	METAL CHIP	100 5% 1/10W
R6345	1-216-809-11	METAL CHIP	100 5% 1/10W	R6577	1-216-809-11	METAL CHIP	100 5% 1/10W
R6346	1-216-809-11	METAL CHIP	100 5% 1/10W	R6578	1-216-809-11	METAL CHIP	100 5% 1/10W
R6348	1-216-809-11	METAL CHIP	100 5% 1/10W	R6579	1-216-809-11	METAL CHIP	100 5% 1/10W
R6516	1-216-833-11	METAL CHIP	10K 5% 1/10W	R6580	1-216-809-11	METAL CHIP	100 5% 1/10W
R6517	1-216-809-11	METAL CHIP	100 5% 1/10W	R6581	1-216-809-11	METAL CHIP	100 5% 1/10W
R6518	1-216-809-11	METAL CHIP	100 5% 1/10W	R6582	1-216-809-11	METAL CHIP	100 5% 1/10W
				R6583	1-216-809-11	METAL CHIP	100 5% 1/10W
				R6585	1-216-845-11	METAL CHIP	100K 5% 1/10W
				R6586	1-216-813-11	METAL CHIP	220 5% 1/10W

# STR-DA5300ES

Ver. 1.1

**A-VIDEO** **AC** **ACSW**

Ref. No.	Part No.	Description	Remark
R6587	1-216-864-11	SHORT CHIP	0
R6588	1-216-864-11	SHORT CHIP	0
R6589	1-216-864-11	SHORT CHIP	0
R6590	1-216-864-11	SHORT CHIP	0
R6591	1-216-864-11	SHORT CHIP	0
R6592	1-216-864-11	SHORT CHIP	0
R6593	1-216-815-11	METAL CHIP	330 5% 1/10W
R6594	1-216-847-11	METAL CHIP	150K 5% 1/10W
R6595	1-216-815-11	METAL CHIP	330 5% 1/10W
R6596	1-216-847-11	METAL CHIP	150K 5% 1/10W
R6597	1-216-829-11	METAL CHIP	4.7K 5% 1/10W
R6598	1-216-829-11	METAL CHIP	4.7K 5% 1/10W
R6601	1-216-854-11	METAL CHIP	560K 5% 1/10W
R6602	1-216-854-11	METAL CHIP	560K 5% 1/10W
R6603	1-216-805-11	METAL CHIP	47 5% 1/10W
R6607	1-216-809-11	METAL CHIP	100 5% 1/10W
R6608	1-211-990-11	METAL CHIP	75 0.5% 1/10W
R6609	1-211-990-11	METAL CHIP	75 0.5% 1/10W
R6610	1-211-990-11	METAL CHIP	75 0.5% 1/10W
		< RELAY >	
RY6003	1-755-267-11	RELAY	
RY6004	1-755-267-11	RELAY	
RY6005	1-755-267-11	RELAY	
RY6006	1-755-267-11	RELAY	
RY6007	1-755-267-11	RELAY	
RY6008	1-755-267-11	RELAY	
*****			
	A-1252-331-A	AC BOARD, COMPLETE (US, CND)	
	A-1252-332-A	AC BOARD, COMPLETE (AEP, ECE)	
	A-1252-333-A	AC BOARD, COMPLETE (UK)	
	*****		
	7-685-646-79	SCREW +BVTP 3X8 TYPE2 IT-3	
		< CAPACITOR >	
C50	1-115-339-11	CERAMIC CHIP	0.1uF 10% 50V
C51	1-126-964-11	ELECT	10uF 20% 50V
C52	1-126-943-11	ELECT	2200uF 20% 25V
C53	1-126-943-11	ELECT	2200uF 20% 25V
C54	1-164-315-11	CERAMIC CHIP	470PF 5% 50V
C55	1-136-287-11	FILM	0.0047uF 5% 100V
C56	1-137-465-11	MYLAR	0.056uF 5% 100V
C57	1-126-941-11	ELECT	470uF 20% 25V
C58	1-100-566-91	CERAMIC CHIP	0.1uF 10% 25V
△C59	1-113-925-11	CERAMIC	0.01uF 20% 250V
		< CONNECTOR >	
* CNP02	1-564-687-11	PIN, CONNECTOR (3.96mm PITCH) 3P	
CNP51	1-564-321-00	PIN, CONNECTOR (3.96mm PITCH) 2P	
CNP53	1-774-108-11	PIN, CONNECTOR (PC BOARD)	
CNP54	1-784-922-11	PIN, CONNECTOR 5P	
		< DIODE >	
D51	6-500-522-31	DIODE 10EDB40-TB5	
D52	6-500-522-31	DIODE 10EDB40-TB5	
D53	6-500-522-31	DIODE 10EDB40-TB5	
D54	6-500-522-31	DIODE 10EDB40-TB5	

Ref. No.	Part No.	Description	Remark
D55	6-500-522-31	DIODE 10EDB40-TB5	
D56	8-719-404-50	DIODE MA111-TX	
D57	8-719-404-50	DIODE MA111-TX	
D58	8-719-404-50	DIODE MA111-TX	
D61	8-719-069-56	DIODE UDZSNPTE-176.2B	
		< EARTH TERMINAL >	
* EE51	1-537-738-21	TERMINAL, EARTH	
		< FUSE HOLDER >	
FH01	1-533-313-11	FUSE HOLDER	
FH02	1-533-313-11	FUSE HOLDER	
		< IC >	
IC51	8-759-450-47	IC BA05T	
		< TRANSISTOR >	
Q51	8-729-620-07	TRANSISTOR	2SC3052EF-T1-LEF
Q52	8-729-620-07	TRANSISTOR	2SC3052EF-T1-LEF
Q53	8-729-027-52	TRANSISTOR	DTC124EKA-T146
Q54	8-729-140-97	TRANSISTOR	2SB734-34
Q55	8-729-027-52	TRANSISTOR	DTC124EKA-T146
		< RESISTOR >	
△R001	1-219-237-11	SOLID	3.3M 20% 1/2W F (US, CND)
R51	1-216-833-11	METAL CHIP	10K 5% 1/10W
R52	1-218-867-11	METAL CHIP	6.8K 0.5% 1/10W
R53	1-216-837-11	METAL CHIP	22K 5% 1/10W
R54	1-216-825-11	METAL CHIP	2.2K 5% 1/10W
R55	1-216-833-11	METAL CHIP	10K 5% 1/10W
R58	1-259-179-31	CARBON	3.3K 5% 1/4W
R59	1-216-833-11	METAL CHIP	10K 5% 1/10W
△R60	1-249-389-11	CARBON	4.7 5% 1/4W F
R61	1-216-819-11	METAL CHIP	680 5% 1/10W
		< RELAY >	
△RY01	1-755-266-11	RELAY, AC POWER	
		< TRANSFORMER >	
△T002	1-445-212-11	TRANSFORMER, POWER (US, CND)	
△T002	1-445-213-11	TRANSFORMER, POWER (AEP, ECE, UK)	
		< THERMISTOR >	
△TH50	1-804-046-11	THERMISTOR, POSITIVE (RXE030) (AEP, ECE, UK)	
*****			
		ACSW BOARD	
		*****	
		< CONNECTOR >	
CN1	1-564-321-00	PIN, CONNECTOR (3.96mm PITCH) 2P	
CN2	1-564-704-41	PIN, CONNECTOR (SMALL TYPE) 2P	
		< SWITCH >	
△SW1	1-786-377-11	SWITCH, POWER (POWER)	
*****			

Ref. No.	Part No.	Description	Remark	Ref. No.	Part No.	Description	Remark
	A-1252-336-A	ANALOG BOARD, COMPLETE (US, CND)		C547	1-163-251-11	CERAMIC CHIP 100PF 5%	50V
	A-1252-337-A	ANALOG BOARD, COMPLETE (AEP, EGE, UK)		C548	1-163-251-11	CERAMIC CHIP 100PF 5%	50V
		*****					
		< CAPACITOR >					
C411	1-163-139-00	CERAMIC CHIP 820PF 5%	50V	C551	1-126-965-91	ELECT 22uF 20%	50V
C412	1-163-251-11	CERAMIC CHIP 100PF 5%	50V	C556	1-126-965-91	ELECT 22uF 20%	50V
C413	1-163-139-00	CERAMIC CHIP 820PF 5%	50V	C581	1-163-251-11	CERAMIC CHIP 100PF 5%	50V
C414	1-163-251-11	CERAMIC CHIP 100PF 5%	50V	C582	1-163-251-11	CERAMIC CHIP 100PF 5%	50V
C415	1-163-139-00	CERAMIC CHIP 820PF 5%	50V	C585	1-164-690-91	CERAMIC CHIP 0.0022uF 5%	50V
C416	1-163-139-00	CERAMIC CHIP 820PF 5%	50V	C586	1-164-690-91	CERAMIC CHIP 0.0022uF 5%	50V
C417	1-163-139-00	CERAMIC CHIP 820PF 5%	50V	C587	1-115-339-11	CERAMIC CHIP 0.1uF 10%	50V
C419	1-163-139-00	CERAMIC CHIP 820PF 5%	50V	C588	1-163-251-11	CERAMIC CHIP 100PF 5%	50V
C420	1-163-251-11	CERAMIC CHIP 100PF 5%	50V	C597	1-114-263-91	ELECT 47uF 20%	25V
C421	1-163-139-00	CERAMIC CHIP 820PF 5%	50V	C598	1-114-263-91	ELECT 47uF 20%	25V
C431	1-163-251-11	CERAMIC CHIP 100PF 5%	50V	C599	1-114-263-91	ELECT 47uF 20%	25V
C432	1-163-259-91	CERAMIC CHIP 220PF 5%	50V	C601	1-164-161-11	CERAMIC CHIP 0.0022uF 10%	50V
C433	1-110-645-11	ELECT 10uF 20%	63V	C602	1-164-161-11	CERAMIC CHIP 0.0022uF 10%	50V
C434	1-163-251-11	CERAMIC CHIP 100PF 5%	50V	C603	1-115-339-11	CERAMIC CHIP 0.1uF 10%	50V
C435	1-114-264-91	ELECT 470uF 20%	16V	C604	1-163-251-11	CERAMIC CHIP 100PF 5%	50V
C436	1-125-896-91	MYLAR 0.0091uF 5%	50V	C616	1-163-025-11	CERAMIC CHIP 0.001uF	50V
C437	1-136-159-00	MYLAR 0.033uF 5%	50V	C617	1-163-025-11	CERAMIC CHIP 0.001uF	50V
C438	1-110-645-11	ELECT 10uF 20%	63V	C618	1-163-025-11	CERAMIC CHIP 0.001uF	50V
C441	1-126-965-91	ELECT 22uF 20%	50V	C619	1-163-025-11	CERAMIC CHIP 0.001uF	50V
C446	1-126-965-91	ELECT 22uF 20%	50V	C620	1-163-025-11	CERAMIC CHIP 0.001uF	50V
C447	1-163-251-11	CERAMIC CHIP 100PF 5%	50V	C621	1-163-025-11	CERAMIC CHIP 0.001uF	50V
C448	1-163-251-11	CERAMIC CHIP 100PF 5%	50V	C622	1-163-025-11	CERAMIC CHIP 0.001uF	50V
C451	1-126-965-91	ELECT 22uF 20%	50V	C623	1-163-025-11	CERAMIC CHIP 0.001uF	50V
C456	1-126-965-91	ELECT 22uF 20%	50V	C624	1-163-025-11	CERAMIC CHIP 0.001uF	50V
C481	1-163-251-11	CERAMIC CHIP 100PF 5%	50V	C625	1-163-025-11	CERAMIC CHIP 0.001uF	50V
C482	1-163-251-11	CERAMIC CHIP 100PF 5%	50V	C626	1-163-025-11	CERAMIC CHIP 0.001uF	50V
C485	1-164-690-91	CERAMIC CHIP 0.0022uF 5%	50V	C627	1-163-025-11	CERAMIC CHIP 0.001uF	50V
C486	1-164-690-91	CERAMIC CHIP 0.0022uF 5%	50V	C631	1-163-033-91	CERAMIC CHIP 0.022uF	50V
C487	1-115-339-11	CERAMIC CHIP 0.1uF 10%	50V	C632	1-163-033-91	CERAMIC CHIP 0.022uF	50V
C488	1-163-251-11	CERAMIC CHIP 100PF 5%	50V	C633	1-114-263-91	ELECT 47uF 20%	25V
C497	1-114-263-91	ELECT 47uF 20%	25V	C634	1-114-263-91	ELECT 47uF 20%	25V
C498	1-114-263-91	ELECT 47uF 20%	25V	C640	1-115-339-11	CERAMIC CHIP 0.1uF 10%	50V
C499	1-114-263-91	ELECT 47uF 20%	25V	C641	1-114-263-91	ELECT 47uF 20%	25V
C511	1-163-139-00	CERAMIC CHIP 820PF 5%	50V	C642	1-114-263-91	ELECT 47uF 20%	25V
C512	1-163-251-11	CERAMIC CHIP 100PF 5%	50V	C643	1-163-025-11	CERAMIC CHIP 0.001uF	50V
C513	1-163-139-00	CERAMIC CHIP 820PF 5%	50V	C644	1-163-025-11	CERAMIC CHIP 0.001uF	50V
C514	1-163-251-11	CERAMIC CHIP 100PF 5%	50V	C645	1-112-091-11	ELECT 220uF 20%	25V
C515	1-163-139-00	CERAMIC CHIP 820PF 5%	50V	C646	1-112-091-11	ELECT 220uF 20%	25V
C516	1-163-139-00	CERAMIC CHIP 820PF 5%	50V	C647	1-110-390-11	ELECT 22uF 20%	63V
C517	1-163-139-00	CERAMIC CHIP 820PF 5%	50V	C648	1-163-005-91	CERAMIC CHIP 470PF 10%	50V
C519	1-163-139-00	CERAMIC CHIP 820PF 5%	50V	C651	1-163-025-11	CERAMIC CHIP 0.001uF	50V
C520	1-163-251-11	CERAMIC CHIP 100PF 5%	50V	C653	1-163-025-11	CERAMIC CHIP 0.001uF	50V
C521	1-163-139-00	CERAMIC CHIP 820PF 5%	50V	C654	1-163-025-11	CERAMIC CHIP 0.001uF	50V
C531	1-163-251-11	CERAMIC CHIP 100PF 5%	50V	C655	1-110-390-11	ELECT 22uF 20%	63V
C532	1-163-259-91	CERAMIC CHIP 220PF 5%	50V	C656	1-115-339-11	CERAMIC CHIP 0.1uF 10%	50V
C533	1-110-645-11	ELECT 10uF 20%	63V	C661	1-163-025-11	CERAMIC CHIP 0.001uF	50V
C534	1-163-251-11	CERAMIC CHIP 100PF 5%	50V	C662	1-163-025-11	CERAMIC CHIP 0.001uF	50V
C535	1-114-264-91	ELECT 470uF 20%	16V	C663	1-163-025-11	CERAMIC CHIP 0.001uF	50V
C536	1-125-896-91	MYLAR 0.0091uF 5%	50V	C685	1-164-690-91	CERAMIC CHIP 0.0022uF 5%	50V
C537	1-136-159-00	MYLAR 0.033uF 5%	50V	C686	1-164-690-91	CERAMIC CHIP 0.0022uF 5%	50V
C538	1-110-645-11	ELECT 10uF 20%	63V	C687	1-115-339-11	CERAMIC CHIP 0.1uF 10%	50V
C541	1-126-965-91	ELECT 22uF 20%	50V	C688	1-163-251-11	CERAMIC CHIP 100PF 5%	50V
C546	1-126-965-91	ELECT 22uF 20%	50V	C692	1-114-262-21	ELECT 2200uF 20%	25V
				C693	1-114-262-21	ELECT 2200uF 20%	25V
				C694	1-112-090-11	ELECT 100uF 20%	25V

## STR-DA5300ES

Ver. 1.1

ANALOG

Ref. No.	Part No.	Description	Remark			Ref. No.	Part No.	Description	Remark		
C713	1-163-025-11	CERAMIC CHIP	0.001uF		50V	IC643	8-759-710-97	IC NJM4565M-D			
C714	1-163-025-11	CERAMIC CHIP	0.001uF		50V	IC653	8-759-710-97	IC NJM4565M-D			
C717	1-126-947-11	ELECT	47uF	20%	35V	IC654	6-701-011-01	IC uPC2910T-E1			
C718	1-126-947-11	ELECT	47uF	20%	35V						
C719	1-114-263-91	ELECT	47uF	20%	25V			< JACK >			
C720	1-114-263-91	ELECT	47uF	20%	25V	J605	1-784-920-11	JACK, PIN 6P (PHONO/SA-CD/CD IN, MD/ DAT OUT)			
C721	1-163-025-11	CERAMIC CHIP	0.001uF		50V (US, CND)	J606	1-784-920-11	JACK, PIN 6P (MD/DAT/TAPE/CD-R IN, TAPE/ D-R OUT)			
C722	1-163-025-11	CERAMIC CHIP	0.001uF		50V (US, CND)	J607	1-784-920-11	JACK, PIN 6P (SAT/CATV/DVD/BD/VIDEO 2 AUDIO IN)			
C725	1-114-263-91	ELECT	47uF	20%	25V (US, CND)	J608	1-784-429-11	JACK, PIN 4P (VIDEO 1 AUDIO IN, VIDEO 1 AUDIO OUT)			
C726	1-114-263-91	ELECT	47uF	20%	25V (US, CND)	J609	1-784-429-11	JACK, PIN 4P (ZONE 2/ZONE 3 AUDIO OUT)			
C727	1-163-139-00	CERAMIC CHIP	820PF	5%	50V (US, CND)			< JUMPER RESISTOR >			
C728	1-163-139-00	CERAMIC CHIP	820PF	5%	50V (US, CND)	JW672	1-216-295-91	SHORT CHIP	0		
C729	1-114-263-91	ELECT	47uF	20%	25V	JW673	1-216-295-91	SHORT CHIP	0		
C730	1-115-339-11	CERAMIC CHIP	0.1uF	10%	50V			< COIL >			
C731	1-112-085-11	ELECT	1000uF	20%	16V (US, CND)	L730	1-414-493-41	INDUCTOR	4.7mH		
C731	1-126-767-11	ELECT	1000uF	20%	16V (AEP, ECE, UK)			< TRANSISTOR >			
C732	1-115-339-11	CERAMIC CHIP	0.1uF	10%	50V	Q540	8-729-230-49	TRANSISTOR	2SC2712-YG		
		< CONNECTOR >				Q552	8-729-230-49	TRANSISTOR	2SC2712-YG		
CN601	1-784-926-11	PIN, CONNECTOR 11P						< RESISTOR >			
CN602	1-770-409-11	CONNECTOR, BOARD TO BOARD 16P				R411	1-208-437-41	RES-CHIP	1K	2%	1/10W
CN603	1-568-830-11	CONNECTOR, FFC 11P (AEP, ECE, UK)				R412	1-208-437-41	RES-CHIP	1K	2%	1/10W
CN606	1-784-927-11	PIN, CONNECTOR 12P				R413	1-208-437-41	RES-CHIP	1K	2%	1/10W
CN608	1-779-978-11	PIN, CONNECTOR 3P				R414	1-208-437-41	RES-CHIP	1K	2%	1/10W
CN609	1-568-828-11	CONNECTOR, FFC 9P (US, CND)				R415	1-208-437-41	RES-CHIP	1K	2%	1/10W
CN610	1-784-924-11	PIN, CONNECTOR 8P				R416	1-208-437-41	RES-CHIP	1K	2%	1/10W
CN725	1-821-182-11	SOCKET, DIN 8P (SIRIUS) (US, CND)				R417	1-208-437-41	RES-CHIP	1K	2%	1/10W
CN727	1-784-921-11	PIN, CONNECTOR 4P				R419	1-208-437-41	RES-CHIP	1K	2%	1/10W
		< DIODE >				R420	1-208-437-41	RES-CHIP	1K	2%	1/10W
D412	8-719-404-50	DIODE MA111-TX				R421	1-208-437-41	RES-CHIP	1K	2%	1/10W
D512	8-719-404-50	DIODE MA111-TX				R422	1-208-526-41	RES-CHIP	47K	2%	1/10W
D641	8-719-404-50	DIODE MA111-TX				R423	1-208-526-41	RES-CHIP	47K	2%	1/10W
D651	8-719-404-50	DIODE MA111-TX				R424	1-208-526-41	RES-CHIP	47K	2%	1/10W
		< IC >				R425	1-208-526-41	RES-CHIP	47K	2%	1/10W
IC301	8-759-710-97	IC NJM4565M-D				R426	1-208-526-41	RES-CHIP	47K	2%	1/10W
IC401	6-709-810-01	IC TC9274CNG-015				R427	1-208-526-41	RES-CHIP	47K	2%	1/10W
IC402	6-710-005-01	IC TC9273CFG-004				R428	1-208-526-41	RES-CHIP	47K	2%	1/10W
IC461	8-759-710-97	IC NJM4565M-D				R431	1-208-445-41	RES-CHIP	2.2K	2%	1/10W
IC501	6-709-810-01	IC TC9274CNG-015				R432	1-216-699-11	METAL CHIP	100K	0.5%	1/10W
IC600	6-710-004-01	IC TC9274CFG-016				R433	1-216-699-11	METAL CHIP	100K	0.5%	1/10W
IC611	8-759-710-97	IC NJM4565M-D				R434	1-216-633-11	METAL CHIP	180	0.5%	1/10W
IC614	8-759-710-97	IC NJM4565M-D				R435	1-216-673-11	METAL CHIP	8.2K	0.5%	1/10W
IC615	8-759-710-97	IC NJM4565M-D				R436	1-216-699-11	METAL CHIP	100K	0.5%	1/10W
IC616	8-759-710-97	IC NJM4565M-D				R437	1-216-627-11	METAL CHIP	100	0.5%	1/10W
IC617	8-759-710-97	IC NJM4565M-D				R438	1-216-699-11	METAL CHIP	100K	0.5%	1/10W
IC619	8-759-710-97	IC NJM4565M-D				R439	1-208-774-11	METAL CHIP	470	0.5%	1/10W
IC622	8-759-710-97	IC NJM4565M-D				R443	1-208-526-41	RES-CHIP	47K	2%	1/10W
IC623	8-759-710-97	IC NJM4565M-D				R444	1-216-699-11	METAL CHIP	100K	0.5%	1/10W
IC624	8-759-710-97	IC NJM4565M-D (US, CND)				R445	1-216-627-11	METAL CHIP	100	0.5%	1/10W
						R446	1-208-453-41	RES-CHIP	4.7K	2%	1/10W
						R447	1-208-437-41	RES-CHIP	1K	2%	1/10W

Ref. No.	Part No.	Description	Remark	Ref. No.	Part No.	Description	Remark
R448	1-208-437-41	RES-CHIP	1K 2% 1/10W	R603	1-216-627-11	METAL CHIP	100 0.5% 1/10W
R453	1-208-526-41	RES-CHIP	47K 2% 1/10W	R604	1-216-627-11	METAL CHIP	100 0.5% 1/10W
R454	1-216-699-11	METAL CHIP	100K 0.5% 1/10W	R634	1-216-635-11	METAL CHIP	220 0.5% 1/10W
R455	1-216-627-11	METAL CHIP	100 0.5% 1/10W	R635	1-216-635-11	METAL CHIP	220 0.5% 1/10W
R456	1-208-453-41	RES-CHIP	4.7K 2% 1/10W	△R646	1-249-393-11	CARBON	10 5% 1/4W F
R485	1-216-615-11	METAL CHIP	33 0.5% 1/10W	△R647	1-249-397-11	CARBON	22 5% 1/4W F
R486	1-216-615-11	METAL CHIP	33 0.5% 1/10W	△R648	1-249-397-11	CARBON	22 5% 1/4W F
R487	1-216-627-11	METAL CHIP	100 0.5% 1/10W	R650	1-216-687-11	METAL CHIP	33K 0.5% 1/10W
R488	1-216-627-11	METAL CHIP	100 0.5% 1/10W	R651	1-216-687-11	METAL CHIP	33K 0.5% 1/10W
R489	1-216-627-11	METAL CHIP	100 0.5% 1/10W	R652	1-208-518-41	RES-CHIP	22K 2% 1/10W
R511	1-208-437-41	RES-CHIP	1K 2% 1/10W	R654	1-216-699-11	METAL CHIP	100K 0.5% 1/10W
R512	1-208-437-41	RES-CHIP	1K 2% 1/10W	R655	1-208-518-41	RES-CHIP	22K 2% 1/10W
R513	1-208-437-41	RES-CHIP	1K 2% 1/10W	△R656	1-249-393-11	CARBON	10 5% 1/4W F
R514	1-208-437-41	RES-CHIP	1K 2% 1/10W	R657	1-208-518-41	RES-CHIP	22K 2% 1/10W
R515	1-208-437-41	RES-CHIP	1K 2% 1/10W	R658	1-208-518-41	RES-CHIP	22K 2% 1/10W
R516	1-208-437-41	RES-CHIP	1K 2% 1/10W	R670	1-216-687-11	METAL CHIP	33K 0.5% 1/10W
R517	1-208-437-41	RES-CHIP	1K 2% 1/10W	R671	1-216-687-11	METAL CHIP	33K 0.5% 1/10W
R519	1-208-437-41	RES-CHIP	1K 2% 1/10W	R672	1-208-518-41	RES-CHIP	22K 2% 1/10W
R520	1-208-437-41	RES-CHIP	1K 2% 1/10W	R673	1-208-462-41	RES-CHIP	10K 2% 1/10W
R521	1-208-437-41	RES-CHIP	1K 2% 1/10W	R685	1-216-615-11	METAL CHIP	33 0.5% 1/10W
R522	1-208-526-41	RES-CHIP	47K 2% 1/10W	R686	1-216-615-11	METAL CHIP	33 0.5% 1/10W
R523	1-208-526-41	RES-CHIP	47K 2% 1/10W	R687	1-216-627-11	METAL CHIP	100 0.5% 1/10W
R524	1-208-526-41	RES-CHIP	47K 2% 1/10W	R688	1-216-627-11	METAL CHIP	100 0.5% 1/10W
R525	1-208-526-41	RES-CHIP	47K 2% 1/10W	R689	1-216-627-11	METAL CHIP	100 0.5% 1/10W
R526	1-208-526-41	RES-CHIP	47K 2% 1/10W	R708	1-208-526-41	RES-CHIP	47K 2% 1/10W
R527	1-208-526-41	RES-CHIP	47K 2% 1/10W	R709	1-208-526-41	RES-CHIP	47K 2% 1/10W
R528	1-208-526-41	RES-CHIP	47K 2% 1/10W	R710	1-208-526-41	RES-CHIP	47K 2% 1/10W (US, CND)
R531	1-208-445-41	RES-CHIP	2.2K 2% 1/10W	R711	1-208-526-41	RES-CHIP	47K 2% 1/10W (US, CND)
R532	1-216-699-11	METAL CHIP	100K 0.5% 1/10W	R712	1-216-627-11	METAL CHIP	100 0.5% 1/10W
R533	1-216-699-11	METAL CHIP	100K 0.5% 1/10W	R713	1-216-627-11	METAL CHIP	100 0.5% 1/10W
R534	1-216-633-11	METAL CHIP	180 0.5% 1/10W	R714	1-216-627-11	METAL CHIP	100 0.5% 1/10W
R535	1-216-673-11	METAL CHIP	8.2K 0.5% 1/10W	R715	1-216-627-11	METAL CHIP	100 0.5% 1/10W
R536	1-216-699-11	METAL CHIP	100K 0.5% 1/10W	R716	1-216-627-11	METAL CHIP	100 0.5% 1/10W
R537	1-216-627-11	METAL CHIP	100 0.5% 1/10W	R717	1-216-627-11	METAL CHIP	100 0.5% 1/10W
R538	1-216-699-11	METAL CHIP	100K 0.5% 1/10W	R718	1-216-627-11	METAL CHIP	100 0.5% 1/10W
R539	1-208-774-11	METAL CHIP	470 0.5% 1/10W	R719	1-216-295-91	SHORT CHIP	0
R543	1-208-526-41	RES-CHIP	47K 2% 1/10W	R720	1-216-295-91	SHORT CHIP	0
R544	1-216-699-11	METAL CHIP	100K 0.5% 1/10W	R721	1-216-295-91	SHORT CHIP	0 (AEP, ECE, UK)
R545	1-216-627-11	METAL CHIP	100 0.5% 1/10W	R721	1-216-308-00	RES-CHIP	4.7 5% 1/10W (US, CND)
R546	1-208-453-41	RES-CHIP	4.7K 2% 1/10W	< RELAY >			
R547	1-208-437-41	RES-CHIP	1K 2% 1/10W	RY641	1-755-486-11	RELAY	
R548	1-208-462-41	RES-CHIP	10K 2% 1/10W	RY651	1-755-486-11	RELAY	
R549	1-208-453-41	RES-CHIP	4.7K 2% 1/10W	*****			
R551	1-208-462-41	RES-CHIP	10K 2% 1/10W	A-1252-365-A	BIAS BOARD, COMPLETE (US, CND)		
R552	1-208-453-41	RES-CHIP	4.7K 2% 1/10W	A-1252-573-A	BIAS BOARD, COMPLETE (AEP, ECE, UK)		
R553	1-208-526-41	RES-CHIP	47K 2% 1/10W	*****			
R554	1-216-699-11	METAL CHIP	100K 0.5% 1/10W	< CAPACITOR >			
R555	1-216-627-11	METAL CHIP	100 0.5% 1/10W	C1521	1-126-947-11	ELECT	47uF 20% 35V (US, CND)
R556	1-208-453-41	RES-CHIP	4.7K 2% 1/10W	C1521	1-112-089-11	ELECT	47uF 20% 25V (AEP, ECE, UK)
R558	1-216-615-11	METAL CHIP	33 0.5% 1/10W	C1571	1-126-947-11	ELECT	47uF 20% 35V (US, CND)
R585	1-216-615-11	METAL CHIP	33 0.5% 1/10W				
R586	1-216-615-11	METAL CHIP	33 0.5% 1/10W				
R587	1-216-627-11	METAL CHIP	100 0.5% 1/10W				
R588	1-216-627-11	METAL CHIP	100 0.5% 1/10W				
R589	1-216-627-11	METAL CHIP	100 0.5% 1/10W				
R600	1-216-615-11	METAL CHIP	33 0.5% 1/10W				
R601	1-216-615-11	METAL CHIP	33 0.5% 1/10W				
R602	1-216-627-11	METAL CHIP	100 0.5% 1/10W				

# STR-DA5300ES

Ver. 1.1

**BIAS** **CIS**

Ref. No.	Part No.	Description	Remark
C1571	1-112-089-11	ELECT 47uF	20% 25V (AEP, ECE, UK)
C1621	1-126-947-11	ELECT 47uF	20% 35V (US, CND)
C1621	1-112-089-11	ELECT 47uF	20% 25V (AEP, ECE, UK)
C1721	1-126-947-11	ELECT 47uF	20% 35V (US, CND)
C1721	1-112-089-11	ELECT 47uF	20% 25V (AEP, ECE, UK)
C1771	1-126-947-11	ELECT 47uF	20% 35V (US, CND)
C1771	1-112-089-11	ELECT 47uF	20% 25V (AEP, ECE, UK)
C1821	1-126-947-11	ELECT 47uF	20% 35V (US, CND)
C1821	1-112-089-11	ELECT 47uF	20% 25V (AEP, ECE, UK)
C1871	1-126-947-11	ELECT 47uF	20% 35V (US, CND)
C1871	1-112-089-11	ELECT 47uF	20% 25V (AEP, ECE, UK)
C1905	1-126-965-91	ELECT 22uF	20% 50V
C1906	1-104-655-91	ELECT 470uF	20% 6.3V (US, CND)
C1906	1-112-402-11	ELECT 470uF	20% 6.3V (AEP, ECE, UK)
C1907	1-128-805-11	CERAMIC 47PF	5% 50V
C1908	1-128-805-11	CERAMIC 47PF	5% 50V
< CONNECTOR >			
CN1512	1-766-719-41	CONNECTOR, BOARD TO BOARD 10P	
CN1513	1-784-031-41	CONNECTOR, BOARD TO BOARD 8P	
* CN1705	1-573-828-11	CONNECTOR, BOARD TO BOARD 14P	
* CN1803	1-573-828-11	CONNECTOR, BOARD TO BOARD 14P	
CN1910	1-770-010-21	CONNECTOR, BOARD TO BOARD 4P	
* CN1911	1-774-876-21	CONNECTOR, BOARD TO BOARD 8P	
< DIODE >			
D1904	8-719-991-33	DIODE 1SS133T-77	
D1905	8-719-991-33	DIODE 1SS133T-77	
D1908	8-719-991-33	DIODE 1SS133T-77	
D1909	8-719-991-33	DIODE 1SS133T-77	
D1910	8-719-991-33	DIODE 1SS133T-77	
< IC >			
IC1901	8-759-167-88	IC NJM4565D	
< TRANSISTOR >			
Q1904	8-729-281-53	TRANSISTOR 2SC1815-GR	
Q1905	8-729-140-84	TRANSISTOR 2SC1841-PAFAEA	
Q1906	8-729-042-09	TRANSISTOR 2SA1038S-RSE-TP	
Q1907	8-729-042-09	TRANSISTOR 2SA1038S-RSE-TP	
Q1908	8-729-029-86	TRANSISTOR DTC124ESA	
< RESISTOR >			
R1521	1-259-440-61	CARBON 3.3K	5% 1/6W
R1522	1-259-428-61	CARBON 1K	5% 1/6W
R1524	1-259-468-61	CARBON 47K	5% 1/6W
R1571	1-259-440-61	CARBON 3.3K	5% 1/6W

Ref. No.	Part No.	Description	Remark
R1572	1-259-428-61	CARBON 1K	5% 1/6W
R1574	1-259-468-61	CARBON 47K	5% 1/6W
R1621	1-259-440-61	CARBON 3.3K	5% 1/6W
R1622	1-259-428-61	CARBON 1K	5% 1/6W
R1624	1-259-468-61	CARBON 47K	5% 1/6W
R1721	1-259-440-61	CARBON 3.3K	5% 1/6W
R1722	1-259-428-61	CARBON 1K	5% 1/6W
R1724	1-259-468-61	CARBON 47K	5% 1/6W
R1771	1-259-440-61	CARBON 3.3K	5% 1/6W
R1772	1-259-428-61	CARBON 1K	5% 1/6W
R1774	1-259-468-61	CARBON 47K	5% 1/6W
R1821	1-259-440-61	CARBON 3.3K	5% 1/6W
R1822	1-259-428-61	CARBON 1K	5% 1/6W
R1824	1-259-468-61	CARBON 47K	5% 1/6W
R1871	1-259-440-61	CARBON 3.3K	5% 1/6W
R1872	1-259-428-61	CARBON 1K	5% 1/6W
R1874	1-259-468-61	CARBON 47K	5% 1/6W
R1911	1-247-863-91	CARBON 22K	5% 1/4W
R1912	1-249-429-11	CARBON 10K	5% 1/4W
R1913	1-249-429-11	CARBON 10K	5% 1/4W
R1914	1-247-863-91	CARBON 22K	5% 1/4W
R1915	1-247-863-91	CARBON 22K	5% 1/4W
R1916	1-249-430-11	CARBON 12K	5% 1/4W
R1917	1-247-895-00	CARBON 470K	5% 1/4W
R1918	1-247-871-91	CARBON 47K	5% 1/4W
R1919	1-249-429-11	CARBON 10K	5% 1/4W
R1923	1-247-831-91	CARBON 1K	5% 1/4W
R1929	1-249-429-11	CARBON 10K	5% 1/4W
< VARIABLE RESISTOR >			
RV1501	1-238-595-11	RES, ADJ, CARBON 220	
RV1551	1-238-595-11	RES, ADJ, CARBON 220	
RV1601	1-238-595-11	RES, ADJ, CARBON 220	
RV1701	1-238-595-11	RES, ADJ, CARBON 220	
RV1751	1-238-595-11	RES, ADJ, CARBON 220	
RV1801	1-238-595-11	RES, ADJ, CARBON 220	
RV1851	1-238-595-11	RES, ADJ, CARBON 220	
*****			
A-1252-335-A	CIS BOARD, COMPLETE		
*****			
< CAPACITOR/JUMPER RESISTOR >			
C801	1-126-947-11	ELECT 47uF	20% 35V
C802	1-107-826-11	CERAMIC CHIP 0.1uF	10% 16V
C803	1-126-961-11	ELECT 2.2uF	20% 50V
C804	1-126-947-11	ELECT 47uF	20% 35V
C805	1-107-826-11	CERAMIC CHIP 0.1uF	10% 16V
C807	1-216-295-91	SHORT CHIP 0	
C821	1-126-960-11	ELECT 1uF	20% 50V
C831	1-126-960-11	ELECT 1uF	20% 50V
C841	1-126-960-11	ELECT 1uF	20% 50V
C851	1-126-767-11	ELECT 1000uF	20% 16V
C852	1-107-826-11	CERAMIC CHIP 0.1uF	10% 16V
C862	1-164-315-11	CERAMIC CHIP 470PF	5% 50V
C863	1-164-315-11	CERAMIC CHIP 470PF	5% 50V
C864	1-126-963-11	ELECT 4.7uF	20% 50V
C865	1-107-826-11	CERAMIC CHIP 0.1uF	10% 16V



CIS CONNECTOR 1 CONNECTOR 2 CONTROL

Ref. No.	Part No.	Description	Remark	Ref. No.	Part No.	Description	Remark
C866	1-216-295-91	SHORT CHIP 0		R845	1-216-809-11	METAL CHIP 100 5%	1/10W
		< CONNECTOR >		R851	1-216-295-91	SHORT CHIP 0	
CN801	1-770-406-11	CONNECTOR, BOARD TO BOARD 10P		R861	1-216-821-11	METAL CHIP 1K 5%	1/10W
		< DIODE >		R862	1-216-821-11	METAL CHIP 1K 5%	1/10W
D801	8-719-404-50	DIODE MA111-TX		R863	1-216-821-11	METAL CHIP 1K 5%	1/10W
D802	8-719-075-86	LED SID307BRTP19 (REMOTE CONTROL	TRANSCIVER)	R864	1-216-821-11	METAL CHIP 1K 5%	1/10W
D803	8-719-404-50	DIODE MA111-TX		R865	1-216-821-11	METAL CHIP 1K 5%	1/10W
		< IC >				< THERMISTOR >	
IC801	6-600-349-21	IC NJL23H400A		TH821	1-801-726-11	THERMISTOR, POSITIVE	
IC802	6-700-587-01	IC TC7W53F (TE12R)		TH831	1-801-726-11	THERMISTOR, POSITIVE	
IC861	8-759-470-63	IC NJM2145M-TE2		TH841	1-801-726-11	THERMISTOR, POSITIVE	
		< JACK >		*****			
J801	1-563-330-31	JACK (IR REMOTE IN)				CONNECTOR 1 BOARD	
J802	1-563-330-31	JACK (IR REMOTE OUT 1)				*****	
J803	1-563-330-31	JACK (IR REMOTE OUT 2)				< CONNECTOR >	
J821	1-563-330-31	JACK (TRIGGER OUT MAIN)		CN1207	1-573-844-11	CONNECTOR, BOARD TO BOARD 12P	
J831	1-563-330-31	JACK (TRIGGER OUT ZONE 2)		CN1209	1-573-844-11	CONNECTOR, BOARD TO BOARD 12P	
				*****			
J841	1-563-330-31	JACK (TRIGGER OUT ZONE 3)				CONNECTOR 2 BOARD	
J861	1-563-330-31	JACK (CTRL S OUT)				*****	
J862	1-563-330-31	JACK (CTRL S IN)				< CONNECTOR >	
		< JUMPER RESISTOR >		CN1205	1-573-847-11	CONNECTOR, BOARD TO BOARD 15P	
JW861	1-216-864-11	SHORT CHIP 0		CN1206	1-573-847-11	CONNECTOR, BOARD TO BOARD 15P	
		< TRANSISTOR >		*****			
Q821	8-729-037-13	TRANSISTOR KTA1271Y		A-1252-345-A		CONTROL BOARD, COMPLETE (US, CND)	
Q822	8-729-027-43	TRANSISTOR DTC114EKA-T146		A-1252-346-A		CONTROL BOARD, COMPLETE (AEP, UK)	
Q831	8-729-037-13	TRANSISTOR KTA1271Y		*****			
Q832	8-729-027-43	TRANSISTOR DTC114EKA-T146				< CAPACITOR >	
Q841	8-729-037-13	TRANSISTOR KTA1271Y		C2001	1-107-826-11	CERAMIC CHIP 0.1uF 10%	16V
Q842	8-729-027-43	TRANSISTOR DTC114EKA-T146		C2002	1-107-826-11	CERAMIC CHIP 0.1uF 10%	16V
		< RESISTOR >		C2003	1-107-826-11	CERAMIC CHIP 0.1uF 10%	16V
R801	1-216-833-11	METAL CHIP 10K 5%	1/10W	C2004	1-162-974-11	CERAMIC CHIP 0.01uF 50V	
R802	1-216-797-11	METAL CHIP 10 5%	1/10W	C2005	1-107-826-11	CERAMIC CHIP 0.1uF 10%	16V
R803	1-216-845-11	METAL CHIP 100K 5%	1/10W	C2006	1-107-826-11	CERAMIC CHIP 0.1uF 10%	16V
R804	1-216-833-11	METAL CHIP 10K 5%	1/10W	C2007	1-117-720-11	CERAMIC CHIP 4.7uF 10V	
R805	1-216-845-11	METAL CHIP 100K 5%	1/10W	C2008	1-107-826-11	CERAMIC CHIP 0.1uF 10%	16V
R806	1-216-809-11	METAL CHIP 100 5%	1/10W	C2009	1-117-720-11	CERAMIC CHIP 4.7uF 10V	
R807	1-216-809-11	METAL CHIP 100 5%	1/10W	C2010	1-107-826-11	CERAMIC CHIP 0.1uF 10%	16V
R822	1-216-833-11	METAL CHIP 10K 5%	1/10W	C2011	1-107-826-11	CERAMIC CHIP 0.1uF 10%	16V
R823	1-216-825-11	METAL CHIP 2.2K 5%	1/10W	C2012	1-117-720-11	CERAMIC CHIP 4.7uF 10V	
R824	1-216-833-11	METAL CHIP 10K 5%	1/10W	C2013	1-107-826-11	CERAMIC CHIP 0.1uF 10%	16V
R825	1-216-809-11	METAL CHIP 100 5%	1/10W	C2014	1-107-826-11	CERAMIC CHIP 0.1uF 10%	16V
R832	1-216-833-11	METAL CHIP 10K 5%	1/10W	C2015	1-107-826-11	CERAMIC CHIP 0.1uF 10%	16V
R833	1-216-825-11	METAL CHIP 2.2K 5%	1/10W	C2016	1-107-826-11	CERAMIC CHIP 0.1uF 10%	16V
R834	1-216-833-11	METAL CHIP 10K 5%	1/10W	C2017	1-107-826-11	CERAMIC CHIP 0.1uF 10%	16V
R835	1-216-809-11	METAL CHIP 100 5%	1/10W	C2018	1-107-826-11	CERAMIC CHIP 0.1uF 10%	16V
R842	1-216-833-11	METAL CHIP 10K 5%	1/10W	C2019	1-107-826-11	CERAMIC CHIP 0.1uF 10%	16V
R843	1-216-825-11	METAL CHIP 2.2K 5%	1/10W	C2020	1-107-826-11	CERAMIC CHIP 0.1uF 10%	16V
R844	1-216-833-11	METAL CHIP 10K 5%	1/10W	C2021	1-162-974-11	CERAMIC CHIP 0.01uF 50V	
				C2022	1-162-974-11	CERAMIC CHIP 0.01uF 50V	
				C2023	1-162-974-11	CERAMIC CHIP 0.01uF 50V	
				C2024	1-162-974-11	CERAMIC CHIP 0.01uF 50V	
				C2025	1-162-974-11	CERAMIC CHIP 0.01uF 50V	

# STR-DA5300ES

## CONTROL

Ref. No.	Part No.	Description	Remark	Ref. No.	Part No.	Description	Remark
C2026	1-107-826-11	CERAMIC CHIP	0.1uF 10% 16V			< DIODE >	
C2027	1-162-974-11	CERAMIC CHIP	0.01uF 50V				
C2028	1-107-826-11	CERAMIC CHIP	0.1uF 10% 16V	D2001	8-719-060-48	DIODE RB751V-40TE-17	
C2029	1-162-974-11	CERAMIC CHIP	0.01uF 50V	D2002	6-501-193-01	DIODE 1SS355WTE-17	
C2030	1-162-974-11	CERAMIC CHIP	0.01uF 50V	D2003	6-501-193-01	DIODE 1SS355WTE-17	
C2031	1-117-720-11	CERAMIC CHIP	4.7uF 10V	D2004	6-501-193-01	DIODE 1SS355WTE-17	
C2032	1-107-826-11	CERAMIC CHIP	0.1uF 10% 16V			< FERRITE BEAD >	
C2033	1-107-826-11	CERAMIC CHIP	0.1uF 10% 16V				
C2034	1-107-826-11	CERAMIC CHIP	0.1uF 10% 16V	FB2001	1-469-152-11	FERRITE, EMI (SMD) (2012)	
C2035	1-117-720-11	CERAMIC CHIP	4.7uF 10V	FB2002	1-469-152-11	FERRITE, EMI (SMD) (2012)	
C2036	1-107-826-11	CERAMIC CHIP	0.1uF 10% 16V	FB2003	1-469-152-11	FERRITE, EMI (SMD) (2012)	
C2037	1-126-382-11	ELECT	100uF 20% 16V	FB2004	1-469-152-11	FERRITE, EMI (SMD) (2012)	
C2038	1-107-826-11	CERAMIC CHIP	0.1uF 10% 16V	FB2005	1-469-152-11	FERRITE, EMI (SMD) (2012)	
C2039	1-107-826-11	CERAMIC CHIP	0.1uF 10% 16V				
C2040	1-117-720-11	CERAMIC CHIP	4.7uF 10V	FB2006	1-469-152-11	FERRITE, EMI (SMD) (2012)	
C2041	1-107-826-11	CERAMIC CHIP	0.1uF 10% 16V	FB2007	1-469-152-11	FERRITE, EMI (SMD) (2012)	
C2042	1-107-826-11	CERAMIC CHIP	0.1uF 10% 16V	FB2008	1-469-152-11	FERRITE, EMI (SMD) (2012)	
C2043	1-117-720-11	CERAMIC CHIP	4.7uF 10V	FB2009	1-469-152-11	FERRITE, EMI (SMD) (2012)	
C2044	1-107-826-11	CERAMIC CHIP	0.1uF 10% 16V			< IC >	
C2045	1-107-826-11	CERAMIC CHIP	0.1uF 10% 16V	IC2001	6-706-487-01	IC TC7SH08FU (T5RSOYJF)	
C2046	1-107-826-11	CERAMIC CHIP	0.1uF 10% 16V	IC2002	6-706-478-01	IC TC7SET08FU (T5RSOJF)	
C2047	1-107-826-11	CERAMIC CHIP	0.1uF 10% 16V	IC2003	6-807-421-01	IC MB91F467RA-07A53ES-X103	
C2048	1-162-927-11	CERAMIC CHIP	100PF 5% 50V	IC2004	8-759-058-62	IC TC7S08FU (TE85R)	
C2049	1-117-720-11	CERAMIC CHIP	4.7uF 10V	IC2005	6-702-913-01	IC S-80929CNMC-G8ZT2G	
C2050	1-107-826-11	CERAMIC CHIP	0.1uF 10% 16V	IC2006	8-759-277-63	IC TC7W14FU (TE12R)	
C2051	1-107-826-11	CERAMIC CHIP	0.1uF 10% 16V	IC2007	6-704-006-01	IC BR24L64F-WE2	
C2052	1-126-960-11	ELECT	1uF 20% 50V	IC2008	6-705-468-01	IC BA33BC0FP-E2	
C2053	1-107-826-11	CERAMIC CHIP	0.1uF 10% 16V	IC2009	8-759-277-63	IC TC7W14FU (TE12R)	
C2054	1-126-964-11	ELECT	10uF 20% 50V	IC2010	8-759-524-09	IC TC74VHC153FT (EL)	
C2055	1-119-941-91	ELECT	470uF 20% 6.3V	IC2012	8-759-679-36	IC TC7WT125FU (TE12R)	
C2056	1-107-826-11	CERAMIC CHIP	0.1uF 10% 16V	IC2013	6-706-487-01	IC TC7SH08FU (T5RSOYJF)	
C2057	1-107-826-11	CERAMIC CHIP	0.1uF 10% 16V			< TRANSISTOR >	
C2058	1-126-382-11	ELECT	100uF 20% 16V	Q2001	8-729-216-22	TRANSISTOR 2SA1162-G	
C2059	1-107-826-11	CERAMIC CHIP	0.1uF 10% 16V	Q2002	8-729-024-91	TRANSISTOR 2SC2712-GL-TE85L	
C2060	1-117-720-11	CERAMIC CHIP	4.7uF 10V	Q2003	8-729-024-91	TRANSISTOR 2SC2712-GL-TE85L	
C2061	1-107-826-11	CERAMIC CHIP	0.1uF 10% 16V	Q2004	8-729-027-43	TRANSISTOR DTC114EKA-T146	
C2062	1-126-785-11	ELECT	47uF 20% 10V			< RESISTOR >	
C2063	1-104-658-91	ELECT	100uF 20% 10V	R2002	1-216-864-11	SHORT CHIP 0	
C2064	1-107-826-11	CERAMIC CHIP	0.1uF 10% 16V	R2003	1-216-833-11	METAL CHIP 10K 5% 1/10W	
C2065	1-107-826-11	CERAMIC CHIP	0.1uF 10% 16V	R2004	1-216-809-11	METAL CHIP 100 5% 1/10W	
C2066	1-117-720-11	CERAMIC CHIP	4.7uF 10V	R2005	1-216-821-11	METAL CHIP 1K 5% 1/10W	
C2067	1-107-826-11	CERAMIC CHIP	0.1uF 10% 16V	R2006	1-216-809-11	METAL CHIP 100 5% 1/10W	
		< CONNECTOR >		R2007	1-216-809-11	METAL CHIP 100 5% 1/10W	
CN2001	1-770-385-11	CONNECTOR, BOARD TO BOARD 18P		R2008	1-216-837-11	METAL CHIP 22K 5% 1/10W	
CN2003	1-770-406-11	CONNECTOR, BOARD TO BOARD 10P		R2009	1-216-837-11	METAL CHIP 22K 5% 1/10W	
CN2004	1-770-409-11	CONNECTOR, BOARD TO BOARD 16P		R2010	1-216-833-11	METAL CHIP 10K 5% 1/10W	
CN2005	1-770-410-11	CONNECTOR, BOARD TO BOARD 18P		R2011	1-216-685-11	METAL CHIP 27K 0.5% 1/10W	
CN2006	1-770-411-11	CONNECTOR, BOARD TO BOARD 20P		R2012	1-216-813-11	METAL CHIP 220 5% 1/10W	
CN2007	1-785-125-21	CONNECTOR 6P		R2013	1-216-805-11	METAL CHIP 47 5% 1/10W	
CN2008	1-770-406-11	CONNECTOR, BOARD TO BOARD 10P		R2014	1-216-809-11	METAL CHIP 100 5% 1/10W	
CN2009	1-770-385-11	CONNECTOR, BOARD TO BOARD 18P		R2015	1-216-809-11	METAL CHIP 100 5% 1/10W	
CN2010	1-770-383-11	CONNECTOR, BOARD TO BOARD 14P		R2016	1-216-809-11	METAL CHIP 100 5% 1/10W	
CN2011	1-770-384-21	CONNECTOR, BOARD TO BOARD 16P		R2017	1-216-833-11	METAL CHIP 10K 5% 1/10W	
CN2012	1-784-930-11	PIN, CONNECTOR 15P		R2019	1-216-833-11	METAL CHIP 10K 5% 1/10W	
CN2013	1-779-799-11	PIN, CONNECTOR 9P		R2020	1-216-809-11	METAL CHIP 100 5% 1/10W	
CN2014	1-784-928-11	PIN, CONNECTOR 13P		R2021	1-216-809-11	METAL CHIP 100 5% 1/10W	



# STR-DA5300ES

Ver. 1.1

**CONTROL**   **D-CONNECT**   **D-VIDEO**

Ref. No.	Part No.	Description	Quantity	Percentage	Remark
R2142	1-216-809-11	METAL CHIP	100	5%	1/10W
R2143	1-216-809-11	METAL CHIP	100	5%	1/10W
R2144	1-216-809-11	METAL CHIP	100	5%	1/10W
R2145	1-216-805-11	METAL CHIP	47	5%	1/10W
R2146	1-216-805-11	METAL CHIP	47	5%	1/10W
R2147	1-216-805-11	METAL CHIP	47	5%	1/10W
R2148	1-216-805-11	METAL CHIP	47	5%	1/10W
R2149	1-216-809-11	METAL CHIP	100	5%	1/10W
R2150	1-216-809-11	METAL CHIP	100	5%	1/10W
R2151	1-216-809-11	METAL CHIP	100	5%	1/10W
R2152	1-216-809-11	METAL CHIP	100	5%	1/10W
R2153	1-216-809-11	METAL CHIP	100	5%	1/10W
R2154	1-216-809-11	METAL CHIP	100	5%	1/10W
R2155	1-216-809-11	METAL CHIP	100	5%	1/10W
R2156	1-216-809-11	METAL CHIP	100	5%	1/10W
R2157	1-216-809-11	METAL CHIP	100	5%	1/10W
R2158	1-216-809-11	METAL CHIP	100	5%	1/10W
R2159	1-216-809-11	METAL CHIP	100	5%	1/10W
R2160	1-216-809-11	METAL CHIP	100	5%	1/10W
R2161	1-216-809-11	METAL CHIP	100	5%	1/10W
R2162	1-216-809-11	METAL CHIP	100	5%	1/10W
R2163	1-216-809-11	METAL CHIP	100	5%	1/10W
R2164	1-216-809-11	METAL CHIP	100	5%	1/10W
R2165	1-216-809-11	METAL CHIP	100	5%	1/10W
R2166	1-216-809-11	METAL CHIP	100	5%	1/10W
R2167	1-216-809-11	METAL CHIP	100	5%	1/10W
R2168	1-216-809-11	METAL CHIP	100	5%	1/10W
R2169	1-216-809-11	METAL CHIP	100	5%	1/10W
R2170	1-216-809-11	METAL CHIP	100	5%	1/10W
R2171	1-216-809-11	METAL CHIP	100	5%	1/10W
R2172	1-216-809-11	METAL CHIP	100	5%	1/10W
R2173	1-216-809-11	METAL CHIP	100	5%	1/10W
R2174	1-216-809-11	METAL CHIP	100	5%	1/10W
R2175	1-216-809-11	METAL CHIP	100	5%	1/10W
R2176	1-216-809-11	METAL CHIP	100	5%	1/10W
R2177	1-216-809-11	METAL CHIP	100	5%	1/10W
R2178	1-216-809-11	METAL CHIP	100	5%	1/10W
R2179	1-216-809-11	METAL CHIP	100	5%	1/10W
R2180	1-216-809-11	METAL CHIP	100	5%	1/10W
R2181	1-216-809-11	METAL CHIP	100	5%	1/10W
R2182	1-216-809-11	METAL CHIP	100	5%	1/10W
R2183	1-216-809-11	METAL CHIP	100	5%	1/10W
R2184	1-216-809-11	METAL CHIP	100	5%	1/10W
R2185	1-216-809-11	METAL CHIP	100	5%	1/10W
R2186	1-216-833-11	METAL CHIP	10K	5%	1/10W
R2187	1-216-833-11	METAL CHIP	10K	5%	1/10W
R2188	1-216-805-11	METAL CHIP	47	5%	1/10W
R2189	1-216-809-11	METAL CHIP	100	5%	1/10W
R2190	1-216-805-11	METAL CHIP	47	5%	1/10W
R2191	1-216-833-11	METAL CHIP	10K	5%	1/10W
R2193	1-216-833-11	METAL CHIP	10K	5%	1/10W
R2197	1-216-857-11	METAL CHIP	1M	5%	1/10W
R2198	1-216-821-11	METAL CHIP	1K	5%	1/10W
R2199	1-216-815-11	METAL CHIP	330	5%	1/10W
R2200	1-216-809-11	METAL CHIP	100	5%	1/10W

Ref. No.	Part No.	Description	Quantity	Percentage	Remark
< VIBRATOR >					
X2001	1-781-646-21	VIBRATOR, CERAMIC (4MHZ)			
*****					
D-CONNECT BOARD					
*****					
< CONNECTOR >					
CN2401	1-770-381-11	CONNECTOR, BOARD TO BOARD 10P			
CN2402	1-770-381-11	CONNECTOR, BOARD TO BOARD 10P			
CN2403	1-770-384-21	CONNECTOR, BOARD TO BOARD 16P			
CN2404	1-770-384-21	CONNECTOR, BOARD TO BOARD 16P			
CN2405	1-770-385-11	CONNECTOR, BOARD TO BOARD 18P			
CN2406	1-770-385-11	CONNECTOR, BOARD TO BOARD 18P			
*****					
Ⓔ	A-1317-984-A	D-VIDEO BOARD, COMPLETE (for SERVICE)			(US, CND)
Ⓔ	A-1317-985-A	D-VIDEO BOARD, COMPLETE (for SERVICE)			(AEP, ECE, UK)
*****					
< CAPACITOR >					
C3301	1-107-826-11	CERAMIC CHIP	0.1uF	10%	16V
C3302	1-107-826-11	CERAMIC CHIP	0.1uF	10%	16V
C3303	1-107-826-11	CERAMIC CHIP	0.1uF	10%	16V
C3304	1-107-826-11	CERAMIC CHIP	0.1uF	10%	16V
C3305	1-107-826-11	CERAMIC CHIP	0.1uF	10%	16V
C3306	1-107-826-11	CERAMIC CHIP	0.1uF	10%	16V
C3307	1-107-826-11	CERAMIC CHIP	0.1uF	10%	16V
C3308	1-107-826-11	CERAMIC CHIP	0.1uF	10%	16V
C3309	1-107-826-11	CERAMIC CHIP	0.1uF	10%	16V
C3310	1-162-970-11	CERAMIC CHIP	0.01uF	10%	25V
C3311	1-124-779-00	ELECT CHIP	10uF	20%	16V
C3312	1-100-381-11	ELECT CHIP	10uF	20%	16V
C3500	1-114-385-11	ELECT CHIP	470uF	20%	6.3V
C3501	1-114-385-11	ELECT CHIP	470uF	20%	6.3V
C3502	1-162-970-11	CERAMIC CHIP	0.01uF	10%	25V
C3503	1-162-970-11	CERAMIC CHIP	0.01uF	10%	25V
C3504	1-162-970-11	CERAMIC CHIP	0.01uF	10%	25V
C3505	1-162-970-11	CERAMIC CHIP	0.01uF	10%	25V
C3506	1-162-970-11	CERAMIC CHIP	0.01uF	10%	25V
C3507	1-162-970-11	CERAMIC CHIP	0.01uF	10%	25V
C3508	1-162-970-11	CERAMIC CHIP	0.01uF	10%	25V
C3509	1-162-970-11	CERAMIC CHIP	0.01uF	10%	25V
C3510	1-162-970-11	CERAMIC CHIP	0.01uF	10%	25V
C3511	1-162-970-11	CERAMIC CHIP	0.01uF	10%	25V
C3512	1-162-970-11	CERAMIC CHIP	0.01uF	10%	25V
C3513	1-162-970-11	CERAMIC CHIP	0.01uF	10%	25V
C3514	1-107-826-11	CERAMIC CHIP	0.1uF	10%	16V
C3515	1-162-970-11	CERAMIC CHIP	0.01uF	10%	25V
C3516	1-162-970-11	CERAMIC CHIP	0.01uF	10%	25V
C3517	1-162-970-11	CERAMIC CHIP	0.01uF	10%	25V
C3518	1-162-970-11	CERAMIC CHIP	0.01uF	10%	25V
C3519	1-162-970-11	CERAMIC CHIP	0.01uF	10%	25V
C3520	1-162-970-11	CERAMIC CHIP	0.01uF	10%	25V
C3521	1-107-826-11	CERAMIC CHIP	0.1uF	10%	16V
C3522	1-107-826-11	CERAMIC CHIP	0.1uF	10%	16V



## STR-DA5300ES

## D-VIDEO

Ref. No.	Part No.	Description	Remark	Ref. No.	Part No.	Description	Remark
C3642	1-112-800-11	ELECT CHIP	100uF 20% 35V	C3700	1-165-662-21	ELECT CHIP	220uF 20% 4V
C3643	1-107-826-11	CERAMIC CHIP	0.1uF 10% 16V	C3701	1-165-662-21	ELECT CHIP	220uF 20% 4V
C3644	1-135-474-21	ELECT CHIP	330uF 20% 6.3V	C3702	1-125-777-11	CERAMIC CHIP	0.1uF 10% 10V
C3645	1-107-826-11	CERAMIC CHIP	0.1uF 10% 16V	C3703	1-100-567-81	CERAMIC CHIP	0.01uF 10% 25V
C3646	1-107-726-91	CERAMIC CHIP	0.01uF 10% 16V	C3704	1-125-777-11	CERAMIC CHIP	0.1uF 10% 10V
C3647	1-107-826-11	CERAMIC CHIP	0.1uF 10% 16V	C3705	1-125-777-11	CERAMIC CHIP	0.1uF 10% 10V
C3648	1-125-777-11	CERAMIC CHIP	0.1uF 10% 10V	C3706	1-125-777-11	CERAMIC CHIP	0.1uF 10% 10V
C3649	1-107-826-11	CERAMIC CHIP	0.1uF 10% 16V	C3707	1-100-567-81	CERAMIC CHIP	0.01uF 10% 25V
C3650	1-107-726-91	CERAMIC CHIP	0.01uF 10% 16V	C3708	1-125-777-11	CERAMIC CHIP	0.1uF 10% 10V
C3651	1-125-777-11	CERAMIC CHIP	0.1uF 10% 10V	C3709	1-125-777-11	CERAMIC CHIP	0.1uF 10% 10V
C3652	1-107-826-11	CERAMIC CHIP	0.1uF 10% 16V	C3710	1-100-567-81	CERAMIC CHIP	0.01uF 10% 25V
C3653	1-107-826-11	CERAMIC CHIP	0.1uF 10% 16V	C3711	1-107-826-11	CERAMIC CHIP	0.1uF 10% 16V
C3654	1-125-777-11	CERAMIC CHIP	0.1uF 10% 10V	C3712	1-107-826-11	CERAMIC CHIP	0.1uF 10% 16V
C3655	1-107-826-11	CERAMIC CHIP	0.1uF 10% 16V	C3713	1-125-777-11	CERAMIC CHIP	0.1uF 10% 10V
C3656	1-125-777-11	CERAMIC CHIP	0.1uF 10% 10V	C3714	1-165-875-11	CERAMIC CHIP	10uF 10% 10V
C3657	1-107-826-11	CERAMIC CHIP	0.1uF 10% 16V	C3715	1-100-567-81	CERAMIC CHIP	0.01uF 10% 25V
C3658	1-125-777-11	CERAMIC CHIP	0.1uF 10% 10V	C3716	1-107-826-11	CERAMIC CHIP	0.1uF 10% 16V
C3659	1-165-875-11	CERAMIC CHIP	10uF 10% 10V	C3717	1-107-826-11	CERAMIC CHIP	0.1uF 10% 16V
C3660	1-107-826-11	CERAMIC CHIP	0.1uF 10% 16V	C3718	1-112-800-11	ELECT CHIP	100uF 20% 35V
C3661	1-107-826-11	CERAMIC CHIP	0.1uF 10% 16V	C3719	1-125-777-11	CERAMIC CHIP	0.1uF 10% 10V
C3662	1-107-826-11	CERAMIC CHIP	0.1uF 10% 16V	C3720	1-165-875-11	CERAMIC CHIP	10uF 10% 10V
C3663	1-107-826-11	CERAMIC CHIP	0.1uF 10% 16V	C3721	1-107-826-11	CERAMIC CHIP	0.1uF 10% 16V
C3664	1-107-826-11	CERAMIC CHIP	0.1uF 10% 16V	C3722	1-165-875-11	CERAMIC CHIP	10uF 10% 10V
C3665	1-107-826-11	CERAMIC CHIP	0.1uF 10% 16V	C3723	1-107-826-11	CERAMIC CHIP	0.1uF 10% 16V
C3666	1-107-826-11	CERAMIC CHIP	0.1uF 10% 16V	C3724	1-107-826-11	CERAMIC CHIP	0.1uF 10% 16V
C3667	1-165-875-11	CERAMIC CHIP	10uF 10% 10V	C3725	1-125-777-11	CERAMIC CHIP	0.1uF 10% 10V
C3668	1-107-826-11	CERAMIC CHIP	0.1uF 10% 16V	C3726	1-125-777-11	CERAMIC CHIP	0.1uF 10% 10V
C3669	1-107-826-11	CERAMIC CHIP	0.1uF 10% 16V	C3727	1-125-777-11	CERAMIC CHIP	0.1uF 10% 10V
C3670	1-107-826-11	CERAMIC CHIP	0.1uF 10% 16V	C3728	1-125-777-11	CERAMIC CHIP	0.1uF 10% 10V
C3671	1-107-826-11	CERAMIC CHIP	0.1uF 10% 16V	C3729	1-165-662-21	ELECT CHIP	220uF 20% 4V
C3672	1-107-826-11	CERAMIC CHIP	0.1uF 10% 16V	C3730	1-125-777-11	CERAMIC CHIP	0.1uF 10% 10V
C3673	1-125-777-11	CERAMIC CHIP	0.1uF 10% 10V	C3731	1-165-875-11	CERAMIC CHIP	10uF 10% 10V
C3674	1-165-875-11	CERAMIC CHIP	10uF 10% 10V	C3732	1-125-777-11	CERAMIC CHIP	0.1uF 10% 10V
C3675	1-125-777-11	CERAMIC CHIP	0.1uF 10% 10V	C3733	1-125-777-11	CERAMIC CHIP	0.1uF 10% 10V
C3676	1-125-777-11	CERAMIC CHIP	0.1uF 10% 10V	C3734	1-125-777-11	CERAMIC CHIP	0.1uF 10% 10V
C3677	1-125-777-11	CERAMIC CHIP	0.1uF 10% 10V	C3735	1-125-777-11	CERAMIC CHIP	0.1uF 10% 10V
C3678	1-107-826-11	CERAMIC CHIP	0.1uF 10% 16V	C3736	1-125-777-11	CERAMIC CHIP	0.1uF 10% 10V
C3679	1-107-826-11	CERAMIC CHIP	0.1uF 10% 16V	C3737	1-125-777-11	CERAMIC CHIP	0.1uF 10% 10V
C3680	1-165-875-11	CERAMIC CHIP	10uF 10% 10V	C3738	1-107-826-11	CERAMIC CHIP	0.1uF 10% 16V
C3681	1-112-172-11	ELECT CHIP	100uF 20% 16V	C3739	1-125-777-11	CERAMIC CHIP	0.1uF 10% 10V
C3682	1-125-777-11	CERAMIC CHIP	0.1uF 10% 10V	C3740	1-125-777-11	CERAMIC CHIP	0.1uF 10% 10V
C3683	1-125-777-11	CERAMIC CHIP	0.1uF 10% 10V	C3741	1-125-777-11	CERAMIC CHIP	0.1uF 10% 10V
C3684	1-125-777-11	CERAMIC CHIP	0.1uF 10% 10V	C3742	1-165-875-11	CERAMIC CHIP	10uF 10% 10V
C3685	1-125-777-11	CERAMIC CHIP	0.1uF 10% 10V	C3743	1-125-777-11	CERAMIC CHIP	0.1uF 10% 10V
C3686	1-165-875-11	CERAMIC CHIP	10uF 10% 10V	C3744	1-125-777-11	CERAMIC CHIP	0.1uF 10% 10V
C3687	1-125-777-11	CERAMIC CHIP	0.1uF 10% 10V	C3745	1-125-777-11	CERAMIC CHIP	0.1uF 10% 10V
C3688	1-125-777-11	CERAMIC CHIP	0.1uF 10% 10V	C3746	1-112-791-11	ELECT CHIP	100uF 20% 16V
C3689	1-125-777-11	CERAMIC CHIP	0.1uF 10% 10V	C3747	1-165-669-21	ELECT CHIP	220uF 20% 6.3V
C3690	1-100-567-81	CERAMIC CHIP	0.01uF 10% 25V	C3748	1-165-662-21	ELECT CHIP	220uF 20% 4V
C3691	1-125-777-11	CERAMIC CHIP	0.1uF 10% 10V	C3749	1-126-205-11	ELECT CHIP	47uF 20% 6.3V
C3692	1-100-567-81	CERAMIC CHIP	0.01uF 10% 25V	C3750	1-107-826-11	CERAMIC CHIP	0.1uF 10% 16V
C3693	1-125-777-11	CERAMIC CHIP	0.1uF 10% 10V	C3753	1-112-800-11	ELECT CHIP	100uF 20% 35V
C3694	1-100-567-81	CERAMIC CHIP	0.01uF 10% 25V	C3754	1-125-777-11	CERAMIC CHIP	0.1uF 10% 10V
C3695	1-165-875-11	CERAMIC CHIP	10uF 10% 10V	C3755	1-162-916-11	CERAMIC CHIP	12PF 5% 50V
C3696	1-125-777-11	CERAMIC CHIP	0.1uF 10% 10V	C3756	1-162-915-11	CERAMIC CHIP	10PF 0.5PF 50V
C3697	1-107-826-11	CERAMIC CHIP	0.1uF 10% 16V	C3757	1-125-777-11	CERAMIC CHIP	0.1uF 10% 10V
C3698	1-125-777-11	CERAMIC CHIP	0.1uF 10% 10V	C3758	1-107-826-11	CERAMIC CHIP	0.1uF 10% 16V
C3699	1-125-777-11	CERAMIC CHIP	0.1uF 10% 10V				

Ref. No.	Part No.	Description			Remark	Ref. No.	Part No.	Description			Remark
C3759	1-165-875-11	CERAMIC CHIP	10uF	10%	10V	C3820	1-107-826-11	CERAMIC CHIP	0.1uF	10%	16V
C3760	1-107-826-11	CERAMIC CHIP	0.1uF	10%	16V	C3821	1-117-720-11	CERAMIC CHIP	4.7uF		10V
C3761	1-125-777-11	CERAMIC CHIP	0.1uF	10%	10V	C3822	1-125-777-11	CERAMIC CHIP	0.1uF	10%	10V
C3762	1-125-777-11	CERAMIC CHIP	0.1uF	10%	10V	C3850	1-115-467-11	CERAMIC CHIP	0.22uF	10%	10V
C3763	1-125-777-11	CERAMIC CHIP	0.1uF	10%	10V	C3851	1-115-467-11	CERAMIC CHIP	0.22uF	10%	10V
C3764	1-165-875-11	CERAMIC CHIP	10uF	10%	10V	C3854	1-115-467-11	CERAMIC CHIP	0.22uF	10%	10V
C3765	1-125-777-11	CERAMIC CHIP	0.1uF	10%	10V	C3855	1-126-206-11	ELECT CHIP	100uF	20%	6.3V
C3766	1-125-777-11	CERAMIC CHIP	0.1uF	10%	10V	C3856	1-127-956-21	FILM CHIP	0.1uF	5%	16V
C3767	1-165-875-11	CERAMIC CHIP	10uF	10%	10V	C3857	1-127-956-21	FILM CHIP	0.1uF	5%	16V
C3768	1-165-662-21	ELECT CHIP	220uF	20%	4V	C3858	1-162-964-11	CERAMIC CHIP	0.001uF	10%	50V
C3769	1-112-800-11	ELECT CHIP	100uF	20%	35V	C3859	1-164-173-11	CERAMIC CHIP	0.0039uF	10%	50V
C3770	1-107-826-11	CERAMIC CHIP	0.1uF	10%	16V	C3860	1-164-733-11	CERAMIC CHIP	820PF	10%	50V
C3771	1-107-826-11	CERAMIC CHIP	0.1uF	10%	16V	C3861	1-115-467-11	CERAMIC CHIP	0.22uF	10%	10V
C3772	1-107-826-11	CERAMIC CHIP	0.1uF	10%	16V	C3862	1-126-206-11	ELECT CHIP	100uF	20%	6.3V
C3773	1-107-826-11	CERAMIC CHIP	0.1uF	10%	16V	C3864	1-107-826-11	CERAMIC CHIP	0.1uF	10%	16V
C3774	1-126-207-11	ELECT CHIP	33uF	20%	4V	C3865	1-126-206-11	ELECT CHIP	100uF	20%	6.3V
C3775	1-107-826-11	CERAMIC CHIP	0.1uF	10%	16V	C3866	1-115-467-11	CERAMIC CHIP	0.22uF	10%	10V
C3776	1-107-826-11	CERAMIC CHIP	0.1uF	10%	16V	C3867	1-162-970-11	CERAMIC CHIP	0.01uF	10%	25V
C3777	1-107-826-11	CERAMIC CHIP	0.1uF	10%	16V	C3868	1-107-826-11	CERAMIC CHIP	0.1uF	10%	16V
C3778	1-107-826-11	CERAMIC CHIP	0.1uF	10%	16V	C3869	1-107-826-11	CERAMIC CHIP	0.1uF	10%	16V
C3779	1-107-826-11	CERAMIC CHIP	0.1uF	10%	16V	C3870	1-162-970-11	CERAMIC CHIP	0.01uF	10%	25V
C3780	1-107-826-11	CERAMIC CHIP	0.1uF	10%	16V	C3873	1-107-826-11	CERAMIC CHIP	0.1uF	10%	16V
C3781	1-107-826-11	CERAMIC CHIP	0.1uF	10%	16V	C3874	1-126-205-11	ELECT CHIP	47uF	20%	6.3V
C3782	1-165-662-21	ELECT CHIP	220uF	20%	4V	C3875	1-107-826-11	CERAMIC CHIP	0.1uF	10%	16V
C3783	1-125-777-11	CERAMIC CHIP	0.1uF	10%	10V	C3876	1-126-393-11	ELECT CHIP	33uF	20%	10V
C3784	1-125-777-11	CERAMIC CHIP	0.1uF	10%	10V	C3877	1-107-826-11	CERAMIC CHIP	0.1uF	10%	16V
C3785	1-125-777-11	CERAMIC CHIP	0.1uF	10%	10V	C3878	1-107-826-11	CERAMIC CHIP	0.1uF	10%	16V
C3786	1-125-777-11	CERAMIC CHIP	0.1uF	10%	10V	C3905	1-162-919-11	CERAMIC CHIP	22PF	5%	50V (US, CND)
C3787	1-125-777-11	CERAMIC CHIP	0.1uF	10%	10V	C3906	1-162-919-11	CERAMIC CHIP	22PF	5%	50V (US, CND)
C3788	1-125-777-11	CERAMIC CHIP	0.1uF	10%	10V	C3907	1-162-919-11	CERAMIC CHIP	22PF	5%	50V (US, CND)
C3789	1-125-777-11	CERAMIC CHIP	0.1uF	10%	10V	C3908	1-162-919-11	CERAMIC CHIP	22PF	5%	50V (US, CND)
C3790	1-125-777-11	CERAMIC CHIP	0.1uF	10%	10V	C3909	1-107-826-11	CERAMIC CHIP	0.1uF	10%	16V (US, CND)
C3791	1-125-777-11	CERAMIC CHIP	0.1uF	10%	10V	C3910	1-107-826-11	CERAMIC CHIP	0.1uF	10%	16V (US, CND)
C3792	1-100-567-81	CERAMIC CHIP	0.01uF	10%	25V	C3911	1-107-826-11	CERAMIC CHIP	0.1uF	10%	16V (US, CND)
C3793	1-165-875-11	CERAMIC CHIP	10uF	10%	10V	C3912	1-107-826-11	CERAMIC CHIP	0.1uF	10%	16V (US, CND)
C3794	1-126-210-21	ELECT CHIP	220uF	20%	4V	C3913	1-107-826-11	CERAMIC CHIP	0.1uF	10%	16V (US, CND)
C3795	1-107-826-11	CERAMIC CHIP	0.1uF	10%	16V	C3914	1-107-826-11	CERAMIC CHIP	0.1uF	10%	16V (US, CND)
C3796	1-165-880-21	ELECT CHIP	220uF	20%	2.5V	C3915	1-162-908-11	CERAMIC CHIP	3PF	0.25PF	50V (US, CND)
C3797	1-162-970-11	CERAMIC CHIP	0.01uF	10%	25V	C3916	1-107-826-11	CERAMIC CHIP	0.1uF	10%	16V (US, CND)
C3798	1-100-635-21	ELECT CHIP	82uF	20%	4V	C3917	1-107-826-11	CERAMIC CHIP	0.1uF	10%	16V (US, CND)
C3799	1-114-385-11	ELECT CHIP	470uF	20%	6.3V	C3918	1-162-908-11	CERAMIC CHIP	3PF	0.25PF	50V (US, CND)
C3801	1-107-826-11	CERAMIC CHIP	0.1uF	10%	16V	C3919	1-107-826-11	CERAMIC CHIP	0.1uF	10%	16V (US, CND)
C3804	1-117-720-11	CERAMIC CHIP	4.7uF		10V	C3920	1-107-826-11	CERAMIC CHIP	0.1uF	10%	16V (US, CND)
C3805	1-107-826-11	CERAMIC CHIP	0.1uF	10%	16V						
C3806	1-117-720-11	CERAMIC CHIP	4.7uF		10V						
C3807	1-107-826-11	CERAMIC CHIP	0.1uF	10%	16V						
C3808	1-117-720-11	CERAMIC CHIP	4.7uF		10V						
C3809	1-107-826-11	CERAMIC CHIP	0.1uF	10%	16V						
C3810	1-117-720-11	CERAMIC CHIP	4.7uF		10V						
C3811	1-107-826-11	CERAMIC CHIP	0.1uF	10%	16V						
C3812	1-107-826-11	CERAMIC CHIP	0.1uF	10%	16V						
C3813	1-107-826-11	CERAMIC CHIP	0.1uF	10%	16V						
C3814	1-117-720-11	CERAMIC CHIP	4.7uF		10V						
C3815	1-107-826-11	CERAMIC CHIP	0.1uF	10%	16V						
C3816	1-107-826-11	CERAMIC CHIP	0.1uF	10%	16V						
C3817	1-107-826-11	CERAMIC CHIP	0.1uF	10%	16V						
C3818	1-107-826-11	CERAMIC CHIP	0.1uF	10%	16V						
C3819	1-107-826-11	CERAMIC CHIP	0.1uF	10%	16V						

# STR-DA5300ES

## D-VIDEO

Ref. No.	Part No.	Description			Remark	Ref. No.	Part No.	Description	Remark
C3922	1-107-826-11	CERAMIC CHIP	0.1uF	10%	16V (US, CND)			< CONNECTOR >	
C3923	1-107-826-11	CERAMIC CHIP	0.1uF	10%	16V (US, CND)	CN3501	1-820-668-11	HDMI CONNECTOR (HDMI ASSIGNABLE (INPUT ONLY) IN 6)	
C3924	1-115-416-11	CERAMIC CHIP	0.001uF	5%	25V (US, CND)	CN3502	1-820-668-11	HDMI CONNECTOR (HDMI ASSIGNABLE (INPUT ONLY) IN 5)	
C3925	1-115-416-11	CERAMIC CHIP	0.001uF	5%	25V (US, CND)	CN3503	1-820-668-11	HDMI CONNECTOR (HDMI ASSIGNABLE (INPUT ONLY) IN 4)	
C3926	1-107-826-11	CERAMIC CHIP	0.1uF	10%	16V (US, CND)	CN3504	1-820-668-11	HDMI CONNECTOR (HDMI ASSIGNABLE (INPUT ONLY) IN 3)	
C3927	1-124-779-00	ELECT CHIP	10uF	20%	16V (US, CND)	CN3505	1-820-668-11	HDMI CONNECTOR (HDMI ASSIGNABLE (INPUT ONLY) IN 2)	
C3928	1-117-681-11	ELECT CHIP	100uF	20%	16V (US, CND)	CN3506	1-820-668-11	HDMI CONNECTOR (HDMI ASSIGNABLE (INPUT ONLY) IN 1)	
C3929	1-124-779-00	ELECT CHIP	10uF	20%	16V (US, CND)	CN3507	1-770-410-11	CONNECTOR, BOARD TO BOARD 18P	
C3933	1-107-826-11	CERAMIC CHIP	0.1uF	10%	16V (US, CND)	CN3508	1-770-410-11	CONNECTOR, BOARD TO BOARD 18P	
C3934	1-124-779-00	ELECT CHIP	10uF	20%	16V (US, CND)	CN3509	1-815-875-21	PIN, CONNECTOR (PC BOARD) (12P)	
C3935	1-107-826-11	CERAMIC CHIP	0.1uF	10%	16V (US, CND)	CN3511	1-820-668-11	HDMI CONNECTOR (HDMI ASSIGNABLE (INPUT ONLY) OUT)	
C3936	1-124-779-00	ELECT CHIP	10uF	20%	16V (US, CND)	* CN3523	1-564-104-00	PIN, CONNECTOR (3.96mm PITCH) 3P	
C3937	1-124-779-00	ELECT CHIP	10uF	20%	16V (US, CND)	CN3602	1-821-367-21	PIN, CONNECTOR 16P	
C3938	1-162-969-11	CERAMIC CHIP	0.0068uF	10%	25V (US, CND)	CN3603	1-785-125-21	CONNECTOR 6P	
C3939	1-162-969-11	CERAMIC CHIP	0.0068uF	10%	25V (US, CND)	* CN3605	1-764-250-11	PIN, CONNECTOR (PC BOARD) 4P	
C3940	1-126-395-11	ELECT CHIP	22uF	20%	16V (US, CND)	CN3611	1-779-993-11	PIN, CONNECTOR (PWB) 5P	
C3941	1-165-677-21	ELECT CHIP	330uF	20%	10V (US, CND)	CN3901	1-793-642-21	CONNECTOR (USB) (4P), SQUARE (XM) (US, CND)	
C3942	1-164-004-11	CERAMIC CHIP	0.1uF	10%	25V (US, CND)	CN3902	1-785-728-21	PIN (PC BOARD), CONNECTOR 7P	
C3943	1-164-004-11	CERAMIC CHIP	0.1uF	10%	25V (US, CND)			< DIODE >	
C3944	1-115-412-11	CERAMIC CHIP	680PF	5%	25V (US, CND)	D3501	8-719-404-50	DIODE MA111-TX	
C3945	1-115-412-11	CERAMIC CHIP	680PF	5%	25V (US, CND)	D3502	8-719-404-50	DIODE MA111-TX	
C3946	1-164-004-11	CERAMIC CHIP	0.1uF	10%	25V (US, CND)	D3511	8-719-073-81	DIODE EC21QS06-TE12L	
C3948	1-128-994-21	ELECT CHIP	47uF	20%	10V (US, CND)	D3512	8-719-073-81	DIODE EC21QS06-TE12L	
C3950	1-107-826-11	CERAMIC CHIP	0.1uF	10%	16V (US, CND)	D3617	8-719-053-18	DIODE 1SR154-400TE-25	
C3951	1-124-779-00	ELECT CHIP	10uF	20%	16V (US, CND)	D3618	8-719-210-39	DIODE EC10QS-04	
C3953	1-164-004-11	CERAMIC CHIP	0.1uF	10%	25V (US, CND)	D3902	8-719-083-02	DIODE KDS160-RTK (US, CND)	
C3955	1-128-994-21	ELECT CHIP	47uF	20%	10V (US, CND)	D3903	6-500-462-01	DIODE NSAD500F-T1B (US, CND)	
C3956	1-107-826-11	CERAMIC CHIP	0.1uF	10%	16V (US, CND)	D3904	8-719-083-02	DIODE KDS160-RTK (US, CND)	
C3957	1-124-779-00	ELECT CHIP	10uF	20%	16V (US, CND)			< EARTH TERMINAL >	
C3958	1-107-826-11	CERAMIC CHIP	0.1uF	10%	16V	ET3901	1-780-318-11	TERMINAL	
C3959	1-107-826-11	CERAMIC CHIP	0.1uF	10%	16V	ET3903	1-780-318-11	TERMINAL	
C3964	1-107-826-11	CERAMIC CHIP	0.1uF	10%	16V (US, CND)			< FERRITE BEAD >	
						FB3502	1-414-234-22	INDUCTOR, FERRITE BEAD	
						FB3503	1-414-234-22	INDUCTOR, FERRITE BEAD	
						FB3504	1-469-152-11	FERRITE, EMI (SMD) (2012)	
						FB3505	1-469-152-11	FERRITE, EMI (SMD) (2012)	
						FB3506	1-414-234-22	INDUCTOR, FERRITE BEAD	
						FB3507	1-414-234-22	INDUCTOR, FERRITE BEAD	
						FB3508	1-414-234-22	INDUCTOR, FERRITE BEAD	
						FB3509	1-414-234-22	INDUCTOR, FERRITE BEAD	
						FB3510	1-469-152-11	FERRITE, EMI (SMD) (2012)	
						FB3511	1-469-152-11	FERRITE, EMI (SMD) (2012)	
						FB3512	1-469-139-21	FERRITE, EMI (SMD) (2012)	
						FB3558	1-469-139-21	FERRITE, EMI (SMD) (2012)	
						FB3601	1-469-152-11	FERRITE, EMI (SMD) (2012)	
						FB3602	1-414-234-22	INDUCTOR, FERRITE BEAD	
						FB3603	1-469-152-11	FERRITE, EMI (SMD) (2012)	



Ref. No.	Part No.	Description	Remark	Ref. No.	Part No.	Description	Remark
FB3604	1-414-234-22	INDUCTOR, FERRITE BEAD		IC3621	6-704-573-01	IC M24C32-WMN6T (B)	
FB3605	1-469-152-11	FERRITE, EMI (SMD) (2012)		IC3850	6-709-565-01	IC ADV7322KSTZ	
FB3606	1-469-152-11	FERRITE, EMI (SMD) (2012)		IC3851	6-704-261-01	IC TK11225CMCL-G	
FB3607	1-469-152-11	FERRITE, EMI (SMD) (2012)		IC3852	6-702-301-01	IC TK11125CSCL-G	
FB3608	1-469-152-11	FERRITE, EMI (SMD) (2012)		IC3853	6-705-308-01	IC SI-3010KM-TL	
FB3609	1-469-324-21	FERRITE, EMI (SMD) (2012)		IC3854	6-710-444-01	IC CY2302-SXC-1T	
FB3610	1-469-152-11	FERRITE, EMI (SMD) (2012)		IC3855	6-702-301-01	IC TK11125CSCL-G	
FB3611	1-469-152-11	FERRITE, EMI (SMD) (2012)		IC3901	6-709-251-01	IC F2602E-01-TR (US, CND)	
FB3612	1-469-152-11	FERRITE, EMI (SMD) (2012)		IC3902	6-705-468-01	IC BA33BC0FP-E2 (US, CND)	
FB3613	1-469-152-11	FERRITE, EMI (SMD) (2012)		IC3904	6-707-111-01	IC PCM1753DBQR (US, CND)	
FB3614	1-414-234-22	INDUCTOR, FERRITE BEAD		IC3905	6-706-740-01	IC BA00BC0WFP-E2 (US, CND)	
FB3615	1-469-152-11	FERRITE, EMI (SMD) (2012)		IC3906	6-705-469-01	IC BA50BC0FP-E2 (US, CND)	
FB3616	1-469-152-11	FERRITE, EMI (SMD) (2012)		IC3907	8-759-710-97	IC NJM4565M-D (US, CND)	
FB3901	1-469-152-11	FERRITE, EMI (SMD) (2012) (US, CND)				< COIL >	
FB3902	1-414-813-11	FERRITE, EMI (SMD) (2012) (US, CND)		L3501	1-469-525-91	INDUCTOR	10uH
FB3903	1-469-152-11	FERRITE, EMI (SMD) (2012) (US, CND)		L3505	1-469-525-91	INDUCTOR	10uH
		< COIL >		L3506	1-469-525-91	INDUCTOR	10uH
* FL3501	1-813-880-11	COMMON MODE CHOKE COIL		L3507	1-469-525-91	INDUCTOR	10uH
* FL3502	1-813-880-11	COMMON MODE CHOKE COIL		L3508	1-469-525-91	INDUCTOR	10uH
* FL3503	1-813-880-11	COMMON MODE CHOKE COIL		L3509	1-469-525-91	INDUCTOR	10uH
* FL3504	1-813-880-11	COMMON MODE CHOKE COIL		L3510	1-469-525-91	INDUCTOR	10uH
		< IC >		L3850	1-469-525-91	INDUCTOR	10uH
IC3503	6-711-088-01	IC SII9185CTU				< TRANSISTOR >	
IC3504	6-711-088-01	IC SII9185CTU		Q3501	6-550-014-01	FET	SSM6N15FU (TE85R)
IC3508	8-759-596-39	IC SN74LV4052APWR		Q3502	6-550-014-01	FET	SSM6N15FU (TE85R)
IC3509	6-704-001-01	IC BR24L02F-WSE2		Q3503	6-550-014-01	FET	SSM6N15FU (TE85R)
IC3511	(Not supplied)	IC SII9135CTU		Q3504	6-550-014-01	FET	SSM6N15FU (TE85R)
IC3513	(Not supplied)	IC SII9134CTU		Q3505	6-550-014-01	FET	SSM6N15FU (TE85R)
IC3514	6-708-913-01	IC TK73400AU3GOL-C		Q3506	6-550-014-01	FET	SSM6N15FU (TE85R)
IC3516	6-705-337-01	IC TK11150CSCL-G		Q3901	8-729-027-43	TRANSISTOR	DTC114EKA-T146 (US, CND)
IC3517	6-708-913-01	IC TK73400AU3GOL-C		Q3902	8-729-027-23	TRANSISTOR	DTA114EKA-T146 (US, CND)
IC3518	8-759-546-74	IC TC74VHC157FU (TE12R)		Q3903	6-550-044-01	TRANSISTOR	2SB1689-T106 (US, CND)
IC3519	6-706-946-01	IC CXD9850Q		Q3904	8-729-027-43	TRANSISTOR	DTC114EKA-T146 (US, CND)
IC3520	8-759-524-09	IC TC74VHC153FT (EL)				< RESISTOR >	
IC3521	8-759-524-09	IC TC74VHC153FT (EL)		R2038	1-216-833-11	METAL CHIP	10K 5% 1/10W
IC3522	8-759-524-09	IC TC74VHC153FT (EL)		R3301	1-216-829-11	METAL CHIP	4.7K 5% 1/10W
IC3523	8-759-524-09	IC TC74VHC153FT (EL)		R3302	1-216-829-11	METAL CHIP	4.7K 5% 1/10W
IC3524	8-759-548-99	IC SN74LV08APWR		R3303	1-216-805-11	METAL CHIP	47 5% 1/10W
IC3525	8-759-548-99	IC SN74LV08APWR		R3304	1-216-829-11	METAL CHIP	4.7K 5% 1/10W
@ IC3601	6-709-545-01	IC FLI8668-LF-BC		R3305	1-216-829-11	METAL CHIP	4.7K 5% 1/10W
IC3602	6-710-521-11	IC HY5DU561622ETP-4-C		R3306	1-216-829-11	METAL CHIP	4.7K 5% 1/10W
IC3603	6-807-428-11	IC S29GL256N90TFIR20-07GUIX103		R3307	1-216-829-11	METAL CHIP	4.7K 5% 1/10W
IC3604	6-709-564-01	IC YGV629-VZ		R3308	1-216-829-11	METAL CHIP	4.7K 5% 1/10W
IC3605	6-705-468-01	IC BA33BC0FP-E2		R3309	1-216-829-11	METAL CHIP	4.7K 5% 1/10W
IC3607	6-705-468-01	IC BA33BC0FP-E2		R3400	1-216-864-11	SHORT CHIP	0
IC3608	6-702-300-01	IC TK11118CSCL-G		R3401	1-216-864-11	SHORT CHIP	0
IC3609	6-707-842-01	IC TC74LCX08FT (EKJ)		R3402	1-216-864-11	SHORT CHIP	0
IC3610	6-807-445-01	IC MB91F467RA-07A53GUI-X103		R3403	1-216-864-11	SHORT CHIP	0
IC3611	6-710-003-01	IC IS61LV12816L-8TL		R3404	1-216-805-11	METAL CHIP	47 5% 1/10W
IC3612	6-700-394-01	IC BA25BC0FP-E2		R3405	1-216-805-11	METAL CHIP	47 5% 1/10W
IC3614	6-705-468-01	IC BA33BC0FP-E2		R3406	1-216-790-11	METAL CHIP	2.7 5% 1/10W
IC3615	6-807-714-01	IC SST39VF3202704IEKE53FLIX105		R3407	1-216-805-11	METAL CHIP	47 5% 1/10W
IC3616	6-705-468-01	IC BA33BC0FP-E2					
IC3618	6-710-521-11	IC HY5DU561622ETP-4-C					
IC3619	6-710-050-01	IC TC74LCX245FK (EL)					
IC3620	6-710-050-01	IC TC74LCX245FK (EL)					

**Note:** IC3511 and IC3513 cannot exchange with single. When IC3511 and IC3513 are damaged, exchange the entire mounted board.

@ Replacement of IC3601 used in this set requires a special tool.

# STR-DA5300ES

## D-VIDEO

Ref. No.	Part No.	Description	Remark	Ref. No.	Part No.	Description	Remark
R3408	1-216-805-11	METAL CHIP	47 5%	1/10W	R3532	1-216-821-11	METAL CHIP 1K 5% 1/10W
R3409	1-216-805-11	METAL CHIP	47 5%	1/10W	R3533	1-216-821-11	METAL CHIP 1K 5% 1/10W
R3410	1-216-805-11	METAL CHIP	47 5%	1/10W	R3534	1-216-821-11	METAL CHIP 1K 5% 1/10W
R3411	1-216-805-11	METAL CHIP	47 5%	1/10W	R3535	1-216-829-11	METAL CHIP 4.7K 5% 1/10W
R3412	1-216-805-11	METAL CHIP	47 5%	1/10W	R3536	1-216-805-11	METAL CHIP 47 5% 1/10W
R3413	1-216-805-11	METAL CHIP	47 5%	1/10W	R3537	1-216-864-11	SHORT CHIP 0
R3414	1-216-805-11	METAL CHIP	47 5%	1/10W	R3538	1-216-864-11	SHORT CHIP 0
R3415	1-216-805-11	METAL CHIP	47 5%	1/10W	R3539	1-216-864-11	SHORT CHIP 0
R3416	1-216-805-11	METAL CHIP	47 5%	1/10W	R3540	1-216-805-11	METAL CHIP 47 5% 1/10W
R3417	1-216-805-11	METAL CHIP	47 5%	1/10W	R3541	1-216-805-11	METAL CHIP 47 5% 1/10W
R3418	1-216-805-11	METAL CHIP	47 5%	1/10W	R3542	1-216-864-11	SHORT CHIP 0
R3419	1-216-805-11	METAL CHIP	47 5%	1/10W	R3543	1-216-833-11	METAL CHIP 10K 5% 1/10W
R3420	1-216-805-11	METAL CHIP	47 5%	1/10W	R3544	1-216-805-11	METAL CHIP 47 5% 1/10W
R3421	1-216-805-11	METAL CHIP	47 5%	1/10W	R3545	1-216-805-11	METAL CHIP 47 5% 1/10W
R3422	1-216-790-11	METAL CHIP	2.7 5%	1/10W	R3546	1-216-857-11	METAL CHIP 1M 5% 1/10W
R3423	1-216-805-11	METAL CHIP	47 5%	1/10W	R3547	1-216-864-11	SHORT CHIP 0
R3424	1-216-790-11	METAL CHIP	2.7 5%	1/10W	R3548	1-216-805-11	METAL CHIP 47 5% 1/10W
R3425	1-216-805-11	METAL CHIP	47 5%	1/10W	R3549	1-216-805-11	METAL CHIP 47 5% 1/10W
R3426	1-216-790-11	METAL CHIP	2.7 5%	1/10W	R3550	1-216-805-11	METAL CHIP 47 5% 1/10W
R3427	1-216-805-11	METAL CHIP	47 5%	1/10W	R3551	1-216-805-11	METAL CHIP 47 5% 1/10W
R3428	1-216-790-11	METAL CHIP	2.7 5%	1/10W	R3552	1-216-805-11	METAL CHIP 47 5% 1/10W
R3429	1-216-805-11	METAL CHIP	47 5%	1/10W	R3553	1-216-805-11	METAL CHIP 47 5% 1/10W
R3430	1-216-790-11	METAL CHIP	2.7 5%	1/10W	R3554	1-216-805-11	METAL CHIP 47 5% 1/10W
R3431	1-216-805-11	METAL CHIP	47 5%	1/10W	R3555	1-216-805-11	METAL CHIP 47 5% 1/10W
R3432	1-216-790-11	METAL CHIP	2.7 5%	1/10W	R3556	1-216-805-11	METAL CHIP 47 5% 1/10W
R3433	1-216-805-11	METAL CHIP	47 5%	1/10W	R3557	1-216-813-11	METAL CHIP 220 5% 1/10W
R3499	1-216-829-11	METAL CHIP	4.7K 5%	1/10W	R3561	1-216-833-11	METAL CHIP 10K 5% 1/10W
R3500	1-216-809-11	METAL CHIP	100 5%	1/10W	R3562	1-216-864-11	SHORT CHIP 0
R3501	1-216-809-11	METAL CHIP	100 5%	1/10W	R3563	1-216-809-11	METAL CHIP 100 5% 1/10W
R3502	1-216-864-11	SHORT CHIP	0		R3564	1-216-797-11	METAL CHIP 10 5% 1/10W
R3503	1-216-864-11	SHORT CHIP	0		R3565	1-216-801-11	METAL CHIP 22 5% 1/10W
R3504	1-216-864-11	SHORT CHIP	0		R3566	1-216-801-11	METAL CHIP 22 5% 1/10W
R3505	1-216-864-11	SHORT CHIP	0		R3567	1-216-801-11	METAL CHIP 22 5% 1/10W
R3506	1-216-864-11	SHORT CHIP	0		R3568	1-216-805-11	METAL CHIP 47 5% 1/10W
R3507	1-216-864-11	SHORT CHIP	0		R3569	1-216-809-11	METAL CHIP 100 5% 1/10W
R3508	1-216-829-11	METAL CHIP	4.7K 5%	1/10W	R3570	1-216-805-11	METAL CHIP 47 5% 1/10W
R3510	1-216-805-11	METAL CHIP	47 5%	1/10W	R3571	1-216-805-11	METAL CHIP 47 5% 1/10W
R3511	1-216-841-11	METAL CHIP	47K 5%	1/10W	R3572	1-216-805-11	METAL CHIP 47 5% 1/10W
R3513	1-216-841-11	METAL CHIP	47K 5%	1/10W	R3573	1-216-805-11	METAL CHIP 47 5% 1/10W
R3514	1-216-841-11	METAL CHIP	47K 5%	1/10W	R3574	1-216-805-11	METAL CHIP 47 5% 1/10W
R3515	1-216-829-11	METAL CHIP	4.7K 5%	1/10W	R3576	1-216-805-11	METAL CHIP 47 5% 1/10W
R3516	1-216-829-11	METAL CHIP	4.7K 5%	1/10W	R3577	1-216-805-11	METAL CHIP 47 5% 1/10W
R3517	1-216-829-11	METAL CHIP	4.7K 5%	1/10W	R3578	1-216-829-11	METAL CHIP 4.7K 5% 1/10W
R3518	1-216-829-11	METAL CHIP	4.7K 5%	1/10W	R3579	1-216-841-11	METAL CHIP 47K 5% 1/10W
R3519	1-216-805-11	METAL CHIP	47 5%	1/10W	R3580	1-218-843-11	METAL CHIP 680 0.5% 1/10W
R3520	1-216-805-11	METAL CHIP	47 5%	1/10W	R3581	1-216-809-11	METAL CHIP 100 5% 1/10W
R3521	1-216-805-11	METAL CHIP	47 5%	1/10W	R3582	1-216-864-11	SHORT CHIP 0
R3522	1-216-829-11	METAL CHIP	4.7K 5%	1/10W	R3583	1-216-805-11	METAL CHIP 47 5% 1/10W
R3523	1-216-829-11	METAL CHIP	4.7K 5%	1/10W	R3584	1-216-805-11	METAL CHIP 47 5% 1/10W
R3524	1-216-805-11	METAL CHIP	47 5%	1/10W	R3585	1-216-805-11	METAL CHIP 47 5% 1/10W
R3525	1-216-829-11	METAL CHIP	4.7K 5%	1/10W	R3586	1-216-805-11	METAL CHIP 47 5% 1/10W
R3526	1-216-829-11	METAL CHIP	4.7K 5%	1/10W	R3587	1-216-805-11	METAL CHIP 47 5% 1/10W
R3527	1-216-817-11	METAL CHIP	470 5%	1/10W	R3588	1-216-805-11	METAL CHIP 47 5% 1/10W
R3528	1-216-815-11	METAL CHIP	330 5%	1/10W	R3589	1-216-805-11	METAL CHIP 47 5% 1/10W
R3529	1-216-809-11	METAL CHIP	100 5%	1/10W	R3590	1-216-805-11	METAL CHIP 47 5% 1/10W
R3530	1-216-805-11	METAL CHIP	47 5%	1/10W	R3591	1-216-833-11	METAL CHIP 10K 5% 1/10W
R3531	1-216-805-11	METAL CHIP	47 5%	1/10W	R3592	1-216-833-11	METAL CHIP 10K 5% 1/10W
					R3593	1-216-833-11	METAL CHIP 10K 5% 1/10W

Ref. No.	Part No.	Description			Remark	Ref. No.	Part No.	Description			Remark
R3594	1-216-841-11	METAL CHIP	47K	5%	1/10W	R3655	1-216-833-11	METAL CHIP	10K	5%	1/10W
R3595	1-216-829-11	METAL CHIP	4.7K	5%	1/10W	R3656	1-216-833-11	METAL CHIP	10K	5%	1/10W
R3596	1-216-829-11	METAL CHIP	4.7K	5%	1/10W	R3657	1-216-833-11	METAL CHIP	10K	5%	1/10W
R3597	1-216-864-11	SHORT CHIP	0			R3658	1-216-833-11	METAL CHIP	10K	5%	1/10W
R3598	1-216-864-11	SHORT CHIP	0			R3660	1-216-833-11	METAL CHIP	10K	5%	1/10W
R3599	1-216-824-11	METAL CHIP	1.8K	5%	1/10W	R3661	1-216-833-11	METAL CHIP	10K	5%	1/10W
R3600	1-216-824-11	METAL CHIP	1.8K	5%	1/10W	R3664	1-216-833-11	METAL CHIP	10K	5%	1/10W
R3601	1-216-841-11	METAL CHIP	47K	5%	1/10W	R3665	1-216-826-11	METAL CHIP	2.7K	5%	1/10W
R3602	1-216-841-11	METAL CHIP	47K	5%	1/10W	R3666	1-216-833-11	METAL CHIP	10K	5%	1/10W
R3603	1-216-841-11	METAL CHIP	47K	5%	1/10W	R3667	1-216-833-11	METAL CHIP	10K	5%	1/10W
R3604	1-216-841-11	METAL CHIP	47K	5%	1/10W	R3668	1-216-833-11	METAL CHIP	10K	5%	1/10W
R3605	1-216-841-11	METAL CHIP	47K	5%	1/10W	R3669	1-216-805-11	METAL CHIP	47	5%	1/10W
R3606	1-216-841-11	METAL CHIP	47K	5%	1/10W	R3670	1-216-805-11	METAL CHIP	47	5%	1/10W
R3607	1-216-841-11	METAL CHIP	47K	5%	1/10W	R3671	1-216-864-11	SHORT CHIP	0		
R3608	1-216-841-11	METAL CHIP	47K	5%	1/10W	R3672	1-216-864-11	SHORT CHIP	0		
R3609	1-216-841-11	METAL CHIP	47K	5%	1/10W	R3673	1-216-864-11	SHORT CHIP	0		
R3610	1-216-841-11	METAL CHIP	47K	5%	1/10W	R3674	1-216-864-11	SHORT CHIP	0		
R3611	1-216-841-11	METAL CHIP	47K	5%	1/10W	R3675	1-216-805-11	METAL CHIP	47	5%	1/10W
R3612	1-216-841-11	METAL CHIP	47K	5%	1/10W	R3676	1-216-864-11	SHORT CHIP	0		
R3613	1-216-841-11	METAL CHIP	47K	5%	1/10W	R3677	1-216-864-11	SHORT CHIP	0		
R3614	1-216-841-11	METAL CHIP	47K	5%	1/10W	R3678	1-216-864-11	SHORT CHIP	0		
R3615	1-216-841-11	METAL CHIP	47K	5%	1/10W	R3679	1-216-805-11	METAL CHIP	47	5%	1/10W
R3616	1-216-841-11	METAL CHIP	47K	5%	1/10W	R3680	1-216-805-11	METAL CHIP	47	5%	1/10W
R3617	1-216-833-11	METAL CHIP	10K	5%	1/10W	R3681	1-216-805-11	METAL CHIP	47	5%	1/10W
R3618	1-216-833-11	METAL CHIP	10K	5%	1/10W	R3682	1-216-833-11	METAL CHIP	10K	5%	1/10W
R3619	1-216-833-11	METAL CHIP	10K	5%	1/10W	R3683	1-216-864-11	SHORT CHIP	0		
R3620	1-216-833-11	METAL CHIP	10K	5%	1/10W	R3684	1-216-833-11	METAL CHIP	10K	5%	1/10W
R3621	1-216-833-11	METAL CHIP	10K	5%	1/10W	R3685	1-216-809-11	METAL CHIP	100	5%	1/10W
R3622	1-216-833-11	METAL CHIP	10K	5%	1/10W	R3686	1-211-990-11	METAL CHIP	75	0.5%	1/10W
R3623	1-208-647-11	METAL CHIP	33	0.5%	1/16W	R3687	1-211-977-11	METAL CHIP	22	0.5%	1/10W
R3624	1-216-864-11	SHORT CHIP	0			R3688	1-216-805-11	METAL CHIP	47	5%	1/10W
R3625	1-216-864-11	SHORT CHIP	0			R3689	1-216-821-11	METAL CHIP	1K	5%	1/10W
R3626	1-216-833-11	METAL CHIP	10K	5%	1/10W	R3690	1-216-864-11	SHORT CHIP	0		
R3627	1-216-864-11	SHORT CHIP	0			R3691	1-211-990-11	METAL CHIP	75	0.5%	1/10W
R3628	1-216-821-11	METAL CHIP	1K	5%	1/10W	R3692	1-211-977-11	METAL CHIP	22	0.5%	1/10W
R3629	1-218-871-11	METAL CHIP	10K	0.5%	1/10W	R3693	1-216-864-11	SHORT CHIP	0		
R3630	1-218-871-11	METAL CHIP	10K	0.5%	1/10W	R3694	1-211-990-11	METAL CHIP	75	0.5%	1/10W
R3631	1-208-677-11	METAL CHIP	560	0.5%	1/16W	R3695	1-211-977-11	METAL CHIP	22	0.5%	1/10W
R3632	1-208-677-11	METAL CHIP	560	0.5%	1/16W	R3696	1-216-833-11	METAL CHIP	10K	5%	1/10W
R3633	1-216-864-11	SHORT CHIP	0			R3697	1-216-295-91	SHORT CHIP	0		
R3635	1-216-857-11	METAL CHIP	1M	5%	1/10W	R3698	1-216-833-11	METAL CHIP	10K	5%	1/10W
R3636	1-218-990-81	SHORT CHIP	0			R3699	1-216-864-11	SHORT CHIP	0		
R3637	1-218-990-81	SHORT CHIP	0			R3700	1-216-837-11	METAL CHIP	22K	5%	1/10W
R3638	1-216-821-11	METAL CHIP	1K	5%	1/10W	R3702	1-211-987-11	METAL CHIP	56	0.5%	1/10W
R3639	1-216-833-11	METAL CHIP	10K	5%	1/10W	R3703	1-211-987-11	METAL CHIP	56	0.5%	1/10W
R3640	1-216-864-11	SHORT CHIP	0			R3704	1-216-805-11	METAL CHIP	47	5%	1/10W
R3643	1-216-864-11	SHORT CHIP	0			R3705	1-216-864-11	SHORT CHIP	0		
R3644	1-216-864-11	SHORT CHIP	0			R3706	1-216-864-11	SHORT CHIP	0		
R3646	1-216-833-11	METAL CHIP	10K	5%	1/10W	R3707	1-216-864-11	SHORT CHIP	0		
R3647	1-216-841-11	METAL CHIP	47K	5%	1/10W	R3708	1-216-864-11	SHORT CHIP	0		
R3648	1-216-841-11	METAL CHIP	47K	5%	1/10W	R3709	1-216-864-11	SHORT CHIP	0		
R3649	1-216-833-11	METAL CHIP	10K	5%	1/10W	R3710	1-216-805-11	METAL CHIP	47	5%	1/10W
R3650	1-216-833-11	METAL CHIP	10K	5%	1/10W	R3711	1-216-805-11	METAL CHIP	47	5%	1/10W
R3651	1-216-833-11	METAL CHIP	10K	5%	1/10W	R3713	1-211-987-11	METAL CHIP	56	0.5%	1/10W
R3652	1-216-833-11	METAL CHIP	10K	5%	1/10W	R3714	1-211-987-11	METAL CHIP	56	0.5%	1/10W
R3653	1-216-833-11	METAL CHIP	10K	5%	1/10W	R3715	1-211-987-11	METAL CHIP	56	0.5%	1/10W
R3654	1-216-833-11	METAL CHIP	10K	5%	1/10W	R3716	1-211-987-11	METAL CHIP	56	0.5%	1/10W
						R3717	1-211-977-11	METAL CHIP	22	0.5%	1/10W

# STR-DA5300ES

## D-VIDEO

Ref. No.	Part No.	Description		Remark	Ref. No.	Part No.	Description		Remark
R3718	1-211-987-11	METAL CHIP	56	0.5%	1/10W	R3793	1-216-833-11	METAL CHIP	10K 5% 1/10W
R3719	1-211-977-11	METAL CHIP	22	0.5%	1/10W	R3794	1-216-833-11	METAL CHIP	10K 5% 1/10W
R3720	1-211-977-11	METAL CHIP	22	0.5%	1/10W	R3795	1-208-647-11	METAL CHIP	33 0.5% 1/16W
R3721	1-216-833-11	METAL CHIP	10K	5%	1/10W	R3796	1-208-647-11	METAL CHIP	33 0.5% 1/16W
R3722	1-211-977-11	METAL CHIP	22	0.5%	1/10W	R3797	1-208-647-11	METAL CHIP	33 0.5% 1/16W
R3723	1-211-977-11	METAL CHIP	22	0.5%	1/10W	R3798	1-208-647-11	METAL CHIP	33 0.5% 1/16W
R3724	1-216-864-11	SHORT CHIP	0			R3799	1-216-833-11	METAL CHIP	10K 5% 1/10W
R3728	1-218-831-11	METAL CHIP	220	0.5%	1/10W	R3800	1-216-805-11	METAL CHIP	47 5% 1/10W
R3729	1-216-805-11	METAL CHIP	47	5%	1/10W	R3801	1-216-833-11	METAL CHIP	10K 5% 1/10W
R3732	1-216-805-11	METAL CHIP	47	5%	1/10W	R3803	1-216-864-11	SHORT CHIP	0
R3733	1-216-864-11	SHORT CHIP	0			R3804	1-216-864-11	SHORT CHIP	0
R3734	1-216-864-11	SHORT CHIP	0			R3805	1-208-647-11	METAL CHIP	33 0.5% 1/16W
R3735	1-216-864-11	SHORT CHIP	0			R3806	1-208-647-11	METAL CHIP	33 0.5% 1/16W
R3736	1-216-803-11	METAL CHIP	33	5%	1/10W	R3807	1-208-647-11	METAL CHIP	33 0.5% 1/16W
R3737	1-216-295-91	SHORT CHIP	0			R3808	1-208-647-11	METAL CHIP	33 0.5% 1/16W
R3738	1-216-817-11	METAL CHIP	470	5%	1/10W	R3809	1-208-677-11	METAL CHIP	560 0.5% 1/16W
R3739	1-216-864-11	SHORT CHIP	0			R3810	1-208-677-11	METAL CHIP	560 0.5% 1/16W
R3740	1-216-810-11	METAL CHIP	120	5%	1/10W	R3811	1-216-833-11	METAL CHIP	10K 5% 1/10W
R3741	1-216-815-11	METAL CHIP	330	5%	1/10W	R3812	1-216-833-11	METAL CHIP	10K 5% 1/10W
R3742	1-216-833-11	METAL CHIP	10K	5%	1/10W	R3813	1-216-864-11	SHORT CHIP	0
R3744	1-216-833-11	METAL CHIP	10K	5%	1/10W	R3816	1-216-833-11	METAL CHIP	10K 5% 1/10W
R3747	1-216-833-11	METAL CHIP	10K	5%	1/10W	R3817	1-208-647-11	METAL CHIP	33 0.5% 1/16W
R3748	1-216-833-11	METAL CHIP	10K	5%	1/10W	R3818	1-208-647-11	METAL CHIP	33 0.5% 1/16W
R3749	1-216-833-11	METAL CHIP	10K	5%	1/10W	R3819	1-208-647-11	METAL CHIP	33 0.5% 1/16W
R3750	1-216-864-11	SHORT CHIP	0			R3820	1-208-647-11	METAL CHIP	33 0.5% 1/16W
R3751	1-216-821-11	METAL CHIP	1K	5%	1/10W	R3821	1-208-647-11	METAL CHIP	33 0.5% 1/16W
R3752	1-216-864-11	SHORT CHIP	0			R3822	1-208-647-11	METAL CHIP	33 0.5% 1/16W
R3753	1-216-864-11	SHORT CHIP	0			R3823	1-208-647-11	METAL CHIP	33 0.5% 1/16W
R3754	1-216-864-11	SHORT CHIP	0			R3824	1-208-647-11	METAL CHIP	33 0.5% 1/16W
R3755	1-216-864-11	SHORT CHIP	0			R3825	1-208-647-11	METAL CHIP	33 0.5% 1/16W
R3756	1-216-864-11	SHORT CHIP	0			R3826	1-208-647-11	METAL CHIP	33 0.5% 1/16W
R3757	1-216-864-11	SHORT CHIP	0			R3827	1-208-647-11	METAL CHIP	33 0.5% 1/16W
R3758	1-216-864-11	SHORT CHIP	0			R3828	1-208-647-11	METAL CHIP	33 0.5% 1/16W
R3759	1-216-864-11	SHORT CHIP	0			R3829	1-208-647-11	METAL CHIP	33 0.5% 1/16W
R3760	1-216-864-11	SHORT CHIP	0			R3830	1-208-647-11	METAL CHIP	33 0.5% 1/16W
R3764	1-216-833-11	METAL CHIP	10K	5%	1/10W	R3831	1-208-647-11	METAL CHIP	33 0.5% 1/16W
R3765	1-216-833-11	METAL CHIP	10K	5%	1/10W	R3832	1-208-647-11	METAL CHIP	33 0.5% 1/16W
R3766	1-216-833-11	METAL CHIP	10K	5%	1/10W	R3833	1-208-647-11	METAL CHIP	33 0.5% 1/16W
R3767	1-216-833-11	METAL CHIP	10K	5%	1/10W	R3834	1-208-647-11	METAL CHIP	33 0.5% 1/16W
R3768	1-216-833-11	METAL CHIP	10K	5%	1/10W	R3835	1-208-647-11	METAL CHIP	33 0.5% 1/16W
R3769	1-216-833-11	METAL CHIP	10K	5%	1/10W	R3836	1-208-647-11	METAL CHIP	33 0.5% 1/16W
R3770	1-216-833-11	METAL CHIP	10K	5%	1/10W	R3837	1-208-647-11	METAL CHIP	33 0.5% 1/16W
R3771	1-216-833-11	METAL CHIP	10K	5%	1/10W	R3838	1-208-647-11	METAL CHIP	33 0.5% 1/16W
R3772	1-216-833-11	METAL CHIP	10K	5%	1/10W	R3839	1-208-647-11	METAL CHIP	33 0.5% 1/16W
R3773	1-216-833-11	METAL CHIP	10K	5%	1/10W	R3840	1-208-647-11	METAL CHIP	33 0.5% 1/16W
R3774	1-216-833-11	METAL CHIP	10K	5%	1/10W	R3841	1-208-647-11	METAL CHIP	33 0.5% 1/16W
R3775	1-216-841-11	METAL CHIP	47K	5%	1/10W	R3842	1-208-647-11	METAL CHIP	33 0.5% 1/16W
R3776	1-216-841-11	METAL CHIP	47K	5%	1/10W	R3843	1-208-647-11	METAL CHIP	33 0.5% 1/16W
R3777	1-208-647-11	METAL CHIP	33	0.5%	1/16W	R3844	1-208-647-11	METAL CHIP	33 0.5% 1/16W
R3778	1-208-647-11	METAL CHIP	33	0.5%	1/16W	R3845	1-208-647-11	METAL CHIP	33 0.5% 1/16W
R3779	1-208-647-11	METAL CHIP	33	0.5%	1/16W	R3846	1-208-647-11	METAL CHIP	33 0.5% 1/16W
R3780	1-208-647-11	METAL CHIP	33	0.5%	1/16W	R3847	1-208-647-11	METAL CHIP	33 0.5% 1/16W
R3781	1-216-813-11	METAL CHIP	220	5%	1/10W	R3848	1-208-647-11	METAL CHIP	33 0.5% 1/16W
R3783	1-216-833-11	METAL CHIP	10K	5%	1/10W	R3849	1-216-833-11	METAL CHIP	10K 5% 1/10W
R3785	1-216-833-11	METAL CHIP	10K	5%	1/10W	R3854	1-216-864-11	SHORT CHIP	0
R3786	1-216-833-11	METAL CHIP	10K	5%	1/10W	R3855	1-216-864-11	SHORT CHIP	0
R3792	1-216-833-11	METAL CHIP	10K	5%	1/10W	R3856	1-216-864-11	SHORT CHIP	0
						R3857	1-216-864-11	SHORT CHIP	0

Ref. No.	Part No.	Description	Remark			Ref. No.	Part No.	Description	Remark		
R3858	1-216-864-11	SHORT CHIP	0			R3912	1-216-864-11	SHORT CHIP	0		
R3860	1-216-864-11	SHORT CHIP	0			R3913	1-216-864-11	SHORT CHIP	0		
R3861	1-216-864-11	SHORT CHIP	0			R3914	1-216-809-11	METAL CHIP	100	5%	1/10W (US, CND)
R3863	1-216-826-11	METAL CHIP	2.7K	5%	1/10W	R3915	1-216-829-11	METAL CHIP	4.7K	5%	1/10W (US, CND)
R3864	1-216-826-11	METAL CHIP	2.7K	5%	1/10W	R3916	1-216-864-11	SHORT CHIP	0		
R3865	1-216-819-11	METAL CHIP	680	5%	1/10W	R3917	1-216-864-11	SHORT CHIP	0		
R3866	1-216-809-11	METAL CHIP	100	5%	1/10W	R3918	1-216-864-11	SHORT CHIP	0		
R3867	1-216-815-11	METAL CHIP	330	5%	1/10W	R3919	1-216-864-11	SHORT CHIP	0		
R3868	1-216-815-11	METAL CHIP	330	5%	1/10W	R3920	1-216-809-11	METAL CHIP	100	5%	1/10W (US, CND)
R3869	1-216-864-11	SHORT CHIP	0			R3921	1-216-864-11	SHORT CHIP	0		
R3870	1-216-864-11	SHORT CHIP	0			R3922	1-216-864-11	SHORT CHIP	0		
R3871	1-218-834-11	METAL CHIP	300	0.5%	1/10W	R3923	1-216-809-11	METAL CHIP	100	5%	1/10W (US, CND)
R3872	1-218-834-11	METAL CHIP	300	0.5%	1/10W	R3924	1-216-864-11	SHORT CHIP	0		
R3873	1-218-834-11	METAL CHIP	300	0.5%	1/10W	R3925	1-216-864-11	SHORT CHIP	0		
R3874	1-218-834-11	METAL CHIP	300	0.5%	1/10W	R3926	1-216-864-11	SHORT CHIP	0		
R3875	1-218-834-11	METAL CHIP	300	0.5%	1/10W	R3927	1-216-864-11	SHORT CHIP	0		
R3876	1-218-834-11	METAL CHIP	300	0.5%	1/10W	R3928	1-216-864-11	SHORT CHIP	0		
R3877	1-216-864-11	SHORT CHIP	0			R3929	1-216-864-11	SHORT CHIP	0		
R3878	1-216-864-11	SHORT CHIP	0			R3930	1-216-817-11	METAL CHIP	470	5%	1/10W
R3879	1-216-864-11	SHORT CHIP	0			R3931	1-216-864-11	SHORT CHIP	0		
R3880	1-216-864-11	SHORT CHIP	0			R3932	1-216-864-11	SHORT CHIP	0		
R3881	1-216-864-11	SHORT CHIP	0			R3933	1-216-817-11	METAL CHIP	470	5%	1/10W
R3882	1-216-864-11	SHORT CHIP	0			R3934	1-216-864-11	SHORT CHIP	0		(US, CND)
R3883	1-216-833-11	METAL CHIP	10K	5%	1/10W	R3935	1-216-864-11	SHORT CHIP	0		(US, CND)
R3884	1-218-856-11	METAL CHIP	2.4K	0.5%	1/10W	R3936	1-216-864-11	SHORT CHIP	0		(US, CND)
R3885	1-218-871-11	METAL CHIP	10K	0.5%	1/10W	R3937	1-216-826-11	METAL CHIP	2.7K	5%	1/10W
R3886	1-216-833-11	METAL CHIP	10K	5%	1/10W	R3938	1-216-826-11	METAL CHIP	2.7K	5%	1/10W
R3887	1-216-803-11	METAL CHIP	33	5%	1/10W	R3939	1-216-833-11	METAL CHIP	10K	5%	1/10W
R3888	1-216-833-11	METAL CHIP	10K	5%	1/10W	R3940	1-218-889-11	METAL CHIP	56K	0.5%	1/10W
R3889	1-216-803-11	METAL CHIP	33	5%	1/10W	R3941	1-218-883-11	METAL CHIP	33K	0.5%	1/10W
R3890	1-216-805-11	METAL CHIP	47	5%	1/10W	R3942	1-218-859-11	METAL CHIP	3.3K	0.5%	1/10W
R3891	1-216-864-11	SHORT CHIP	0			R3943	1-218-867-11	METAL CHIP	6.8K	0.5%	1/10W
R3892	1-216-833-11	METAL CHIP	10K	5%	1/10W	R3944	1-216-823-11	METAL CHIP	1.5K	5%	1/10W
R3893	1-216-833-11	METAL CHIP	10K	5%	1/10W	R3945	1-216-823-11	METAL CHIP	1.5K	5%	1/10W
R3894	1-216-829-11	METAL CHIP	4.7K	5%	1/10W	R3946	1-216-833-11	METAL CHIP	10K	5%	1/10W
R3895	1-216-829-11	METAL CHIP	4.7K	5%	1/10W	R3947	1-216-864-11	SHORT CHIP	0		
R3896	1-216-805-11	METAL CHIP	47	5%	1/10W	R3948	1-216-864-11	SHORT CHIP	0		
R3897	1-216-805-11	METAL CHIP	47	5%	1/10W	R3949	1-216-864-11	SHORT CHIP	0		
R3898	1-216-841-11	METAL CHIP	47K	5%	1/10W	R3950	1-216-809-11	METAL CHIP	100	5%	1/10W (US, CND)
R3899	1-216-829-11	METAL CHIP	4.7K	5%	1/10W	R3951	1-216-864-11	SHORT CHIP	0		
R3900	1-216-829-11	METAL CHIP	4.7K	5%	1/10W	R3952	1-216-864-11	SHORT CHIP	0		
R3901	1-216-295-91	SHORT CHIP	0		(US, CND)	R3953	1-216-809-11	METAL CHIP	100	5%	1/10W (US, CND)
R3902	1-216-295-91	SHORT CHIP	0		(US, CND)	R3954	1-216-864-11	SHORT CHIP	0		
R3903	1-216-809-11	METAL CHIP	100	5%	1/10W (US, CND)	R3955	1-216-845-11	METAL CHIP	100K	5%	1/10W (US, CND)
R3904	1-216-809-11	METAL CHIP	100	5%	1/10W (US, CND)	R3956	1-216-845-11	METAL CHIP	100K	5%	1/10W (US, CND)
R3905	1-216-821-11	METAL CHIP	1K	5%	1/10W (US, CND)	R3957	1-218-867-11	METAL CHIP	6.8K	0.5%	1/10W (US, CND)
R3906	1-216-821-11	METAL CHIP	1K	5%	1/10W (US, CND)	R3958	1-218-867-11	METAL CHIP	6.8K	0.5%	1/10W (US, CND)
R3907	1-216-821-11	METAL CHIP	1K	5%	1/10W (US, CND)	R3959	1-216-834-11	METAL CHIP	12K	5%	1/10W (US, CND)
R3908	1-216-821-11	METAL CHIP	1K	5%	1/10W (US, CND)						
R3909	1-216-841-11	METAL CHIP	47K	5%	1/10W						
R3910	1-216-833-11	METAL CHIP	10K	5%	1/10W						
R3911	1-216-821-11	METAL CHIP	1K	5%	1/10W						

# STR-DA5300ES

**D-VIDEO**   **DC-DC**

Ref. No.	Part No.	Description	Remark	Ref. No.	Part No.	Description	Remark
R3960	1-216-832-11	METAL CHIP	8.2K 5%	1/10W (US, CND)	RB3507	1-234-371-21	RES, NETWORK 47 (1005X4)
R3961	1-216-832-11	METAL CHIP	8.2K 5%	1/10W (US, CND)	RB3508	1-234-370-21	RES, NETWORK 22 (1005X4)
R3962	1-216-834-11	METAL CHIP	12K 5%	1/10W (US, CND)	RB3509	1-234-370-21	RES, NETWORK 22 (1005X4)
R3963	1-216-819-11	METAL CHIP	680 5%	1/10W (US, CND)	RB3511	1-234-371-21	RES, NETWORK 47 (1005X4)
R3964	1-216-819-11	METAL CHIP	680 5%	1/10W (US, CND)	RB3512	1-234-371-21	RES, NETWORK 47 (1005X4)
R3965	1-216-821-11	METAL CHIP	1K 5%	1/10W (US, CND)	RB3513	1-234-371-21	RES, NETWORK 47 (1005X4)
R3966	1-216-841-11	METAL CHIP	47K 5%	1/10W (US, CND)	RB3514	1-234-371-21	RES, NETWORK 47 (1005X4)
R3969	1-216-809-11	METAL CHIP	100 5%	1/10W (US, CND)	RB3515	1-234-370-21	RES, NETWORK 22 (1005X4)
R3970	1-216-809-11	METAL CHIP	100 5%	1/10W (US, CND)	RB3516	1-234-370-21	RES, NETWORK 22 (1005X4)
R3971	1-216-864-11	SHORT CHIP	0 (US, CND)		RB3517	1-234-371-21	RES, NETWORK 47 (1005X4)
R3972	1-216-864-11	SHORT CHIP	0 (US, CND)		RB3518	1-234-370-21	RES, NETWORK 22 (1005X4)
R3973	1-216-833-11	METAL CHIP	10K 5%	1/10W	RB3519	1-234-370-21	RES, NETWORK 22 (1005X4)
R3974	1-216-815-11	METAL CHIP	330 5%	1/10W (US, CND)	RB3601	1-242-963-21	RES, NETWORK 33 (1005X4)
R3975	1-216-809-11	METAL CHIP	100 5%	1/10W (US, CND)	RB3602	1-242-963-21	RES, NETWORK 33 (1005X4)
R3976	1-216-821-11	METAL CHIP	1K 5%	1/10W	RB3603	1-242-963-21	RES, NETWORK 33 (1005X4)
R3977	1-216-809-11	METAL CHIP	100 5%	1/10W (US, CND)	RB3604	1-242-963-21	RES, NETWORK 33 (1005X4)
R3978	1-216-809-11	METAL CHIP	100 5%	1/10W (US, CND)	RB3605	1-242-963-21	RES, NETWORK 33 (1005X4)
R3979	1-216-833-11	METAL CHIP	10K 5%	1/10W (US, CND)	RB3606	1-242-963-21	RES, NETWORK 33 (1005X4)
R3980	1-216-833-11	METAL CHIP	10K 5%	1/10W (US, CND)	RB3608	1-242-963-21	RES, NETWORK 33 (1005X4)
R3981	1-216-864-11	SHORT CHIP	0		RB3610	1-242-963-21	RES, NETWORK 33 (1005X4)
R3982	1-216-864-11	SHORT CHIP	0		RB3612	1-242-963-21	RES, NETWORK 33 (1005X4)
R3983	1-216-821-11	METAL CHIP	1K 5%	1/10W	RB3614	1-242-963-21	RES, NETWORK 33 (1005X4)
R3984	1-216-864-11	SHORT CHIP	0		RB3618	1-242-963-21	RES, NETWORK 33 (1005X4)
R3985	1-216-821-11	METAL CHIP	1K 5%	1/10W	RB3619	1-242-963-21	RES, NETWORK 33 (1005X4)
R3986	1-216-829-11	METAL CHIP	4.7K 5%	1/10W	RB3620	1-242-963-21	RES, NETWORK 33 (1005X4)
R3987	1-216-809-11	METAL CHIP	100 5%	1/10W	RB3621	1-242-963-21	RES, NETWORK 33 (1005X4)
R3988	1-216-817-11	METAL CHIP	470 5%	1/10W	RB3622	1-242-963-21	RES, NETWORK 33 (1005X4)
R3989	1-216-815-11	METAL CHIP	330 5%	1/10W	RB3623	1-242-963-21	RES, NETWORK 33 (1005X4)
R3990	1-216-805-11	METAL CHIP	47 5%	1/10W	RB3624	1-242-963-21	RES, NETWORK 33 (1005X4)
R3991	1-216-864-11	SHORT CHIP	0		RB3625	1-242-963-21	RES, NETWORK 33 (1005X4)
R3992	1-216-829-11	METAL CHIP	4.7K 5%	1/10W	RB3626	1-234-370-21	RES, NETWORK 22 (1005X4)
R3993	1-216-805-11	METAL CHIP	47 5%	1/10W	RB3627	1-234-370-21	RES, NETWORK 22 (1005X4)
R3994	1-216-805-11	METAL CHIP	47 5%	1/10W	RB3628	1-234-370-21	RES, NETWORK 22 (1005X4)
R3995	1-216-864-11	SHORT CHIP	0		RB3630	1-234-370-21	RES, NETWORK 22 (1005X4)
R3996	1-216-809-11	METAL CHIP	100 5%	1/10W (US, CND)	RB3631	1-234-370-21	RES, NETWORK 22 (1005X4)
R3998	1-216-864-11	SHORT CHIP	0 (US, CND)		RB3636	1-234-370-21	RES, NETWORK 22 (1005X4)
		< COMPOSITION CIRCUIT BLOCK >			RB3637	1-234-370-21	RES, NETWORK 22 (1005X4)
RB3501	1-234-371-21	RES, NETWORK	47 (1005X4)		RB3901	1-234-378-21	RES, NETWORK 10K (1005X4) (US, CND)
RB3502	1-234-370-21	RES, NETWORK	22 (1005X4)		RB3902	1-234-378-21	RES, NETWORK 10K (1005X4) (US, CND)
RB3503	1-234-370-21	RES, NETWORK	22 (1005X4)		RB3904	1-234-378-21	RES, NETWORK 10K (1005X4) (US, CND)
RB3504	1-234-371-21	RES, NETWORK	47 (1005X4)		RB3905	1-234-371-21	RES, NETWORK 47 (1005X4) (US, CND)
RB3505	1-234-370-21	RES, NETWORK	22 (1005X4)		RB3906	1-234-378-21	RES, NETWORK 10K (1005X4) (US, CND)
RB3506	1-234-370-21	RES, NETWORK	22 (1005X4)			< VIBRATOR >	
					X3501	1-813-570-21	VIBRATOR, CRYSTAL (28.322MHz)
					X3601	1-813-807-11	VIBRATOR, CRYSTAL (33.2MHz)
					X3602	1-781-646-21	VIBRATOR, CERAMIC (4MHz)
					X3603	1-813-808-11	VIBRATOR, CRYSTAL (19.6608MHz)
					X3901	1-760-841-11	VIBRATOR, CRYSTAL (45.1584MHz) (US, CND)
					*****		
					A-1252-517-A	DC-DC BOARD, COMPLETE	
						*****	
						< CAPACITOR >	
					C1402	1-128-549-11	ELECT 3300uF 20% 35V
					C1403	1-128-959-21	ELECT 1000uF 20% 35V
					C1404	1-128-959-21	ELECT 1000uF 20% 35V
					C1405	1-100-924-21	ELECT 2200uF 20% 35V

DC-DC

DIGITAL

Ref. No.	Part No.	Description	Remark	Ref. No.	Part No.	Description	Remark
C1406	1-128-959-21	ELECT	1000uF 20% 35V	R1404	1-216-041-00	RES-CHIP	470 5% 1/10W
C1407	1-128-959-21	ELECT	1000uF 20% 35V	R1405	1-216-057-00	RES-CHIP	2.2K 5% 1/10W
C1408	1-115-339-11	CERAMIC CHIP	0.1uF 10% 50V	R1406	1-216-017-91	RES-CHIP	47 5% 1/10W
C1409	1-115-339-11	CERAMIC CHIP	0.1uF 10% 50V	R1407	1-216-049-11	RES-CHIP	1K 5% 1/10W
C1410	1-115-339-11	CERAMIC CHIP	0.1uF 10% 50V	R1408	1-216-017-91	RES-CHIP	47 5% 1/10W
C1411	1-126-964-11	ELECT	10uF 20% 50V	R1409	1-216-025-11	RES-CHIP	100 5% 1/10W
C1412	1-115-339-11	CERAMIC CHIP	0.1uF 10% 50V	R1410	1-216-025-11	RES-CHIP	100 5% 1/10W
C1413	1-128-950-21	ELECT	1000uF 20% 16V	R1411	1-216-049-11	RES-CHIP	1K 5% 1/10W
C1414	1-128-950-21	ELECT	1000uF 20% 16V	R1412	1-216-037-00	RES-CHIP	330 5% 1/10W
C1415	1-128-951-21	ELECT	2200uF 20% 16V	R1417	1-216-158-00	RES-CHIP	22 5% 1/8W
C1416	1-128-950-21	ELECT	1000uF 20% 16V	*****			
C1417	1-128-950-21	ELECT	1000uF 20% 16V	A-1252-342-A	DIGITAL BOARD, COMPLETE (US, CND)		
C1423	1-164-161-11	CERAMIC CHIP	0.0022uF 10% 50V	A-1252-343-A	DIGITAL BOARD, COMPLETE (AEP, UK)		
				*****			
< CONNECTOR >				< CAPACITOR >			
CN1401	1-691-776-11	PLUG (MICRO CONNECTOR) 14P		C2201	1-107-826-11	CERAMIC CHIP	0.1uF 10% 16V
CX1402	1-778-293-11	PLUG (MICRO CONNECTOR) 2P		C2202	1-107-826-11	CERAMIC CHIP	0.1uF 10% 16V
CX1451	1-785-101-11	PIN, CONNECTOR (3.96mm PITCH) 3P		C2203	1-107-826-11	CERAMIC CHIP	0.1uF 10% 16V
< DIODE >				C2204	1-107-826-11	CERAMIC CHIP	0.1uF 10% 16V
D1401	8-719-072-05	DIODE RBV-602LF-A		C2205	1-107-826-11	CERAMIC CHIP	0.1uF 10% 16V
D1402	8-719-301-45	DIODE RK14		C2206	1-107-826-11	CERAMIC CHIP	0.1uF 10% 16V
D1403	8-719-301-45	DIODE RK14		C2207	1-112-080-11	ELECT	470uF 20% 10V
D1404	8-719-312-08	DIODE FMB-G16L		C2208	1-162-970-11	CERAMIC CHIP	0.01uF 10% 25V
D1405	8-719-301-45	DIODE RK14		C2209	1-107-826-11	CERAMIC CHIP	0.1uF 10% 16V
D1406	8-719-301-45	DIODE RK14		C2210	1-112-089-11	ELECT	47uF 20% 25V
< FUSE HOLDER >				C2211	1-107-826-11	CERAMIC CHIP	0.1uF 10% 16V
FH1403	1-533-313-11	FUSE HOLDER		C2212	1-112-089-11	ELECT	47uF 20% 25V
FH1404	1-533-313-11	FUSE HOLDER		C2213	1-107-826-11	CERAMIC CHIP	0.1uF 10% 16V
< IC >				C2214	1-112-089-11	ELECT	47uF 20% 25V
IC1401	8-759-474-09	IC SI-8050S-LF1101		C2215	1-107-826-11	CERAMIC CHIP	0.1uF 10% 16V
IC1402	6-711-058-01	IC SI-8008HFE		C2216	1-107-826-11	CERAMIC CHIP	0.1uF 10% 16V
IC1403	6-711-058-01	IC SI-8008HFE		C2217	1-107-826-11	CERAMIC CHIP	0.1uF 10% 16V
IC1404	8-759-474-09	IC SI-8050S-LF1101		C2221	1-112-080-11	ELECT	470uF 20% 10V
IC1405	6-701-021-01	IC SI-8120JF		C2222	1-107-826-11	CERAMIC CHIP	0.1uF 10% 16V
< COIL >				C2223	1-107-826-11	CERAMIC CHIP	0.1uF 10% 16V
L1401	1-456-545-11	INDUCTOR	100uH	C2224	1-107-826-11	CERAMIC CHIP	0.1uF 10% 16V
L1402	1-456-545-11	INDUCTOR	100uH	C2225	1-162-916-11	CERAMIC CHIP	12PF 5% 50V
L1403	1-456-545-11	INDUCTOR	100uH	C2226	1-162-916-11	CERAMIC CHIP	12PF 5% 50V
L1404	1-456-545-11	INDUCTOR	100uH	C2227	1-107-826-11	CERAMIC CHIP	0.1uF 10% 16V
L1405	1-456-545-11	INDUCTOR	100uH	C2228	1-107-826-11	CERAMIC CHIP	0.1uF 10% 16V
L1406	1-457-508-11	INDUCTOR	0.1mH	C2229	1-107-826-11	CERAMIC CHIP	0.1uF 10% 16V
L1407	1-481-254-11	INDUCTOR	0.1mH	C2230	1-112-100-11	ELECT	10uF 20% 50V
L1408	1-481-254-11	INDUCTOR	0.1mH	C2231	1-112-080-11	ELECT	470uF 20% 10V
L1409	1-457-508-11	INDUCTOR	0.1mH	C2232	1-107-826-11	CERAMIC CHIP	0.1uF 10% 16V
L1410	1-457-508-11	INDUCTOR	0.1mH	C2233	1-107-826-11	CERAMIC CHIP	0.1uF 10% 16V
< TRANSISTOR >				C2234	1-112-083-11	ELECT	100uF 20% 16V
Q1409	8-729-027-52	TRANSISTOR	DTC124EKA-T146	C2234	1-114-551-91	CAP, ALUMINIUM ELECT	470uF 20% 6.3V
< RESISTOR >				C2235	1-164-227-11	CERAMIC CHIP	0.022uF 10% 25V
R1401	1-216-041-00	RES-CHIP	470 5% 1/10W	C2236	1-107-826-11	CERAMIC CHIP	0.1uF 10% 16V
R1402	1-216-025-11	RES-CHIP	100 5% 1/10W	C2237	1-162-927-11	CERAMIC CHIP	100PF 5% 50V
R1403	1-216-033-00	RES-CHIP	220 5% 1/10W	C2238	1-162-970-11	CERAMIC CHIP	0.01uF 10% 25V
				C2239	1-112-079-11	ELECT	220uF 20% 10V
				C2240	1-112-410-11	ELECT	330uF 20% 10V
				C2241	1-112-079-11	ELECT	220uF 20% 10V
				C2242	1-112-097-11	ELECT	2.2uF 20% 50V

## STR-DA5300ES

## DIGITAL

Ref. No.	Part No.	Description			Remark	Ref. No.	Part No.	Description			Remark
C2243	1-115-467-11	CERAMIC CHIP	0.22uF	10%	10V	C2289	1-162-927-11	CERAMIC CHIP	100PF	5%	50V
C2244	1-162-970-11	CERAMIC CHIP	0.01uF	10%	25V	C2290	1-107-826-11	CERAMIC CHIP	0.1uF	10%	16V
C2245	1-162-970-11	CERAMIC CHIP	0.01uF	10%	25V	C2291	1-115-416-11	CERAMIC CHIP	0.001uF	5%	25V
C2246	1-162-970-11	CERAMIC CHIP	0.01uF	10%	25V	C2292	1-137-429-11	MYLAR	270PF	5%	50V
C2247	1-107-826-11	CERAMIC CHIP	0.1uF	10%	16V	C2293	1-137-457-11	MYLAR	0.0027uF	5%	100V
C2248	1-107-826-11	CERAMIC CHIP	0.1uF	10%	16V	C2294	1-107-826-11	CERAMIC CHIP	0.1uF	10%	16V
C2249	1-107-826-11	CERAMIC CHIP	0.1uF	10%	16V	C2295	1-112-100-11	ELECT	10uF	20%	50V
C2250	1-107-826-11	CERAMIC CHIP	0.1uF	10%	16V	C2296	1-112-100-11	ELECT	10uF	20%	50V
C2251	1-112-089-11	ELECT	47uF	20%	25V	C2297	1-115-416-11	CERAMIC CHIP	0.001uF	5%	25V
C2251	1-114-551-91	CAP, ALUMINIUM ELECT	470uF	20%	6.3V (US, CND) (AEP, UK)	C2298	1-137-457-11	MYLAR	0.0027uF	5%	100V
C2252	1-107-826-11	CERAMIC CHIP	0.1uF	10%	16V	C2299	1-137-429-11	MYLAR	270PF	5%	50V
C2253	1-112-083-11	ELECT	100uF	20%	16V	C2300	1-115-416-11	CERAMIC CHIP	0.001uF	5%	25V
C2254	1-107-826-11	CERAMIC CHIP	0.1uF	10%	16V	C2301	1-137-429-11	MYLAR	270PF	5%	50V
C2255	1-107-826-11	CERAMIC CHIP	0.1uF	10%	16V	C2302	1-137-457-11	MYLAR	0.0027uF	5%	100V
C2256	1-100-669-11	ELECT CHIP	100uF	20%	10V	C2303	1-112-100-11	ELECT	10uF	20%	50V
C2257	1-107-826-11	CERAMIC CHIP	0.1uF	10%	16V	C2304	1-112-100-11	ELECT	10uF	20%	50V
C2258	1-100-669-11	ELECT CHIP	100uF	20%	10V	C2305	1-115-416-11	CERAMIC CHIP	0.001uF	5%	25V
C2259	1-107-826-11	CERAMIC CHIP	0.1uF	10%	16V	C2306	1-137-457-11	MYLAR	0.0027uF	5%	100V
C2260	1-107-826-11	CERAMIC CHIP	0.1uF	10%	16V	C2307	1-137-429-11	MYLAR	270PF	5%	50V
C2261	1-107-826-11	CERAMIC CHIP	0.1uF	10%	16V	C2308	1-107-826-11	CERAMIC CHIP	0.1uF	10%	16V
C2262	1-112-083-11	ELECT	100uF	20%	16V	C2309	1-115-416-11	CERAMIC CHIP	0.001uF	5%	25V
C2263	1-112-075-11	ELECT CHIP	47uF	20%	16V	C2310	1-137-429-11	MYLAR	270PF	5%	50V
C2264	1-112-075-11	ELECT CHIP	47uF	20%	16V	C2311	1-137-457-11	MYLAR	0.0027uF	5%	100V
C2265	1-112-096-11	ELECT	1uF	20%	50V	C2312	1-107-826-11	CERAMIC CHIP	0.1uF	10%	16V
C2266	1-107-826-11	CERAMIC CHIP	0.1uF	10%	16V	C2313	1-107-826-11	CERAMIC CHIP	0.1uF	10%	16V
C2267	1-107-826-11	CERAMIC CHIP	0.1uF	10%	16V	C2314	1-112-100-11	ELECT	10uF	20%	50V
C2268	1-107-826-11	CERAMIC CHIP	0.1uF	10%	16V	C2315	1-162-970-11	CERAMIC CHIP	0.01uF	10%	25V
C2270	1-162-970-11	CERAMIC CHIP	0.01uF	10%	25V	C2316	1-112-100-11	ELECT	10uF	20%	50V
C2271	1-112-114-11	ELECT	22uF	20%	50V (US, CND)	C2317	1-115-416-11	CERAMIC CHIP	0.001uF	5%	25V
C2271	1-114-275-91	ELECT	220uF	20%	16V (AEP, UK)	C2318	1-137-457-11	MYLAR	0.0027uF	5%	100V
C2272	1-112-083-11	ELECT	100uF	20%	16V (US, CND)	C2319	1-137-429-11	MYLAR	270PF	5%	50V
C2272	1-114-551-91	CAP, ALUMINIUM ELECT	470uF	20%	6.3V (AEP, UK)	C2320	1-107-826-11	CERAMIC CHIP	0.1uF	10%	16V
C2273	1-112-114-11	ELECT	22uF	20%	50V (US, CND)	C2321	1-107-826-11	CERAMIC CHIP	0.1uF	10%	16V
C2273	1-114-275-91	ELECT	220uF	20%	16V (AEP, UK)	C2322	1-162-927-11	CERAMIC CHIP	100PF	5%	50V
C2274	1-115-416-11	CERAMIC CHIP	0.001uF	5%	25V	C2323	1-107-826-11	CERAMIC CHIP	0.1uF	10%	16V
C2275	1-137-429-11	MYLAR	270PF	5%	50V	C2324	1-107-826-11	CERAMIC CHIP	0.1uF	10%	16V
C2276	1-137-457-11	MYLAR	0.0027uF	5%	100V	C2325	1-107-826-11	CERAMIC CHIP	0.1uF	10%	16V
C2277	1-112-100-11	ELECT	10uF	20%	50V	C2326	1-112-071-11	ELECT CHIP	220uF	20%	6.3V
C2278	1-112-100-11	ELECT	10uF	20%	50V	C2327	1-107-826-11	CERAMIC CHIP	0.1uF	10%	16V
C2279	1-112-083-11	ELECT	100uF	20%	16V (US, CND)	C2328	1-107-826-11	CERAMIC CHIP	0.1uF	10%	16V
C2279	1-114-551-91	CAP, ALUMINIUM ELECT	470uF	20%	6.3V (AEP, UK)	C2329	1-100-153-91	CERAMIC CHIP	220PF	5%	100V
C2280	1-107-826-11	CERAMIC CHIP	0.1uF	10%	16V	C2330	1-112-071-11	ELECT CHIP	220uF	20%	6.3V
C2281	1-107-826-11	CERAMIC CHIP	0.1uF	10%	16V	C2331	1-107-826-11	CERAMIC CHIP	0.1uF	10%	16V
C2282	1-112-100-11	ELECT	10uF	20%	50V	C2336	1-162-966-11	CERAMIC CHIP	0.0022uF	10%	50V
C2283	1-115-416-11	CERAMIC CHIP	0.001uF	5%	25V	C2337	1-162-966-11	CERAMIC CHIP	0.0022uF	10%	50V
C2284	1-107-826-11	CERAMIC CHIP	0.1uF	10%	16V	C2338	1-114-551-91	CAP, ALUM NIUM ELECT	470uF	20%	6.3V (AEP, UK)
C2285	1-137-457-11	MYLAR	0.0027uF	5%	100V	< CONNECTOR >					
C2286	1-137-429-11	MYLAR	270PF	5%	50V	CN2202	1-770-409-11	CONNECTOR, BOARD TO BOARD	16P		
C2287	1-107-826-11	CERAMIC CHIP	0.1uF	10%	16V	CN2203	1-784-925-11	PIN, CONNECTOR	10P		
C2288	1-107-826-11	CERAMIC CHIP	0.1uF	10%	16V	CN2204	1-691-775-11	PLUG (MICRO CONNECTOR)	13P		
						CN2205	1-770-410-11	CONNECTOR, BOARD TO BOARD	18P		
						CN2206	1-785-910-21	CONNECTOR, BOARD TO BOARD	50P		
						CN2207	1-784-930-11	PIN, CONNECTOR	15P		



Ref. No.	Part No.	Description	Remark	Ref. No.	Part No.	Description	Remark
		< DIODE >				< TRANSISTOR >	
D2201	6-501-193-01	DIODE 1SS355WTE-17		Q2201	8-729-024-91	TRANSISTOR 2SC2712-GL-TE85L	
		< FERRITE BEAD >		Q2202	8-729-024-91	TRANSISTOR 2SC2712-GL-TE85L	
FB2201	1-469-152-11	FERRITE, EMI (SMD) (2012)		Q2203	8-729-024-91	TRANSISTOR 2SC2712-GL-TE85L	
FB2202	1-469-152-11	FERRITE, EMI (SMD) (2012)		Q2204	8-729-024-91	TRANSISTOR 2SC2712-GL-TE85L	
FB2203	1-469-139-21	FERRITE, EMI (SMD) (2012)		Q2205	8-729-027-43	TRANSISTOR DTC114EKA-T146	
FB2204	1-469-139-21	FERRITE, EMI (SMD) (2012)		Q2206	8-729-024-91	TRANSISTOR 2SC2712-GL-TE85L	
FB2205	1-469-152-11	FERRITE, EMI (SMD) (2012)		Q2207	8-729-024-91	TRANSISTOR 2SC2712-GL-TE85L	
		< RESISTOR >					
FB2206	1-469-139-21	FERRITE, EMI (SMD) (2012)		R2201	1-216-821-11	METAL CHIP 1K 5% 1/10W	
FB2207	1-469-152-11	FERRITE, EMI (SMD) (2012)		R2202	1-216-833-11	METAL CHIP 10K 5% 1/10W	
FB2208	1-469-152-11	FERRITE, EMI (SMD) (2012)		R2203	1-208-755-11	METAL CHIP 75 0.5% 1/10W	
FB2209	1-469-152-11	FERRITE, EMI (SMD) (2012)		R2204	1-208-755-11	METAL CHIP 75 0.5% 1/10W	
FB2210	1-469-152-11	FERRITE, EMI (SMD) (2012)		R2205	1-208-755-11	METAL CHIP 75 0.5% 1/10W	
FB2211	1-469-152-11	FERRITE, EMI (SMD) (2012)		R2206	1-216-809-11	METAL CHIP 100 5% 1/10W	
FB2212	1-469-152-11	FERRITE, EMI (SMD) (2012)		R2207	1-216-809-11	METAL CHIP 100 5% 1/10W	
FB2213	1-469-152-11	FERRITE, EMI (SMD) (2012)		R2208	1-216-809-11	METAL CHIP 100 5% 1/10W	
FB2214	1-469-152-11	FERRITE, EMI (SMD) (2012)		R2209	1-216-809-11	METAL CHIP 100 5% 1/10W	
FB2215	1-469-152-11	FERRITE, EMI (SMD) (2012)		R2210	1-216-809-11	METAL CHIP 100 5% 1/10W	
FB2216	1-469-152-11	FERRITE, EMI (SMD) (2012)		R2211	1-216-809-11	METAL CHIP 100 5% 1/10W	
		< IC >		R2212	1-216-809-11	METAL CHIP 100 5% 1/10W	
IC2201	6-600-466-01	IC TORX147L (SONY) (DIGITAL ASSIGNABLE (INPUT ONLY) OPTICAL VIDEO 1 IN)		R2213	1-216-833-11	METAL CHIP 10K 5% 1/10W	
IC2202	6-600-466-01	IC TORX147L (SONY) (DIGITAL ASSIGNABLE (INPUT ONLY) OPTICAL SAT/CATV IN)		R2214	1-208-774-11	METAL CHIP 470 0.5% 1/10W	
IC2203	6-600-466-01	IC TORX147L (SONY) (DIGITAL ASSIGNABLE (INPUT ONLY) OPTICAL TAPE/CD-R IN)		R2215	1-208-774-11	METAL CHIP 470 0.5% 1/10W	
IC2204	6-600-466-01	IC TORX147L (SONY) (DIGITAL ASSIGNABLE (INPUT ONLY) OPTICAL MD/DAT IN)		R2216	1-208-774-11	METAL CHIP 470 0.5% 1/10W	
IC2205	6-600-461-11	IC TOTX147L (R) (DIGITAL ASSIGNABLE (INPUT ONLY) OPTICAL MD/DAT OUT)		R2217	1-218-760-11	METAL CHIP 220K 0.5% 1/10W	
IC2206	8-759-058-62	IC TC7S08FU (TE85R)		R2218	1-218-760-11	METAL CHIP 220K 0.5% 1/10W	
IC2207	8-759-236-19	IC TC74HC151AF (EL)		R2219	1-218-760-11	METAL CHIP 220K 0.5% 1/10W	
IC2208	6-708-025-01	IC LC89057W-VF4A-E		R2220	1-216-809-11	METAL CHIP 100 5% 1/10W	
IC2209	8-759-233-64	IC TC74HCU04AF		R2221	1-208-462-41	RES-CHIP 10K 2% 1/10W	
IC2210	8-759-268-29	IC SN74HC595ANS		R2222	1-208-462-41	RES-CHIP 10K 2% 1/10W	
IC2211	8-759-524-48	IC TC74VHC393FT (EL)		R2223	1-208-462-41	RES-CHIP 10K 2% 1/10W	
IC2212	6-707-870-01	IC TC74VHC157FT (EKJ)		R2224	1-216-809-11	METAL CHIP 100 5% 1/10W	
IC2213	6-707-870-01	IC TC74VHC157FT (EKJ)		R2225	1-216-833-11	METAL CHIP 10K 5% 1/10W	
IC2214	6-707-870-01	IC TC74VHC157FT (EKJ)		R2226	1-216-833-11	METAL CHIP 10K 5% 1/10W	
IC2215	6-705-312-01	IC S-T111B33MC-OGSTFG		R2227	1-216-809-11	METAL CHIP 100 5% 1/10W	
IC2216	8-759-524-48	IC TC74VHC393FT (EL)		R2228	1-216-809-11	METAL CHIP 100 5% 1/10W	
IC2217	6-711-060-01	IC CS5340-CZZR		R2229	1-216-833-11	METAL CHIP 10K 5% 1/10W	
IC2218	6-708-785-01	IC PCM1609APT		R2230	1-216-809-11	METAL CHIP 100 5% 1/10W	
IC2219	8-759-710-97	IC NJM4565M-D		R2231	1-216-833-11	METAL CHIP 10K 5% 1/10W	
IC2220	8-759-710-97	IC NJM4565M-D		R2232	1-216-833-11	METAL CHIP 10K 5% 1/10W	
IC2221	8-759-710-97	IC NJM4565M-D		R2233	1-216-857-11	METAL CHIP 1M 5% 1/10W	
IC2222	8-759-710-97	IC NJM4565M-D		R2234	1-216-809-11	METAL CHIP 100 5% 1/10W	
IC2223	6-711-059-01	IC SM5921AF-G		R2235	1-216-813-11	METAL CHIP 220 5% 1/10W	
IC2224	6-703-791-01	IC MSM56V16160F-8T3FM1		R2237	1-216-809-11	METAL CHIP 100 5% 1/10W	
IC2225	6-600-466-01	IC TORX147L (SONY) (TV OPTICAL IN)		R2238	1-216-815-11	METAL CHIP 330 5% 1/10W	
		< JACK >		R2239	1-216-809-11	METAL CHIP 100 5% 1/10W	
J2201	1-821-163-11	JACK, PIN 3P (DIGITAL ASSIGNABLE (INPUT ONLY) COAXIAL VIDEO 2/DVD/BD/SA-CD/CD IN)		R2240	1-216-805-11	METAL CHIP 47 5% 1/10W	
				R2241	1-216-809-11	METAL CHIP 100 5% 1/10W	
				R2242	1-216-805-11	METAL CHIP 47 5% 1/10W	
				R2243	1-216-635-11	METAL CHIP 220 0.5% 1/10W	
				R2244	1-208-526-41	RES-CHIP 47K 2% 1/10W	
				R2245	1-216-603-11	METAL CHIP 10 0.5% 1/10W	
				R2246	1-216-815-11	METAL CHIP 330 5% 1/10W	
				R2247	1-216-833-11	METAL CHIP 10K 5% 1/10W	
				R2248	1-216-821-11	METAL CHIP 1K 5% 1/10W	

# STR-DA5300ES

## DIGITAL

Ref. No.	Part No.	Description	Remark	Ref. No.	Part No.	Description	Remark
R2249	1-216-821-11	METAL CHIP	1K 5% 1/10W	R2307	1-216-835-11	METAL CHIP	15K 5% 1/10W
R2250	1-216-833-11	METAL CHIP	10K 5% 1/10W	R2308	1-216-809-11	METAL CHIP	100 5% 1/10W
R2251	1-216-809-11	METAL CHIP	100 5% 1/10W	R2309	1-216-821-11	METAL CHIP	1K 5% 1/10W
R2252	1-216-809-11	METAL CHIP	100 5% 1/10W	R2310	1-216-809-11	METAL CHIP	100 5% 1/10W
R2253	1-216-830-11	METAL CHIP	5.6K 5% 1/10W	R2311	1-216-809-11	METAL CHIP	100 5% 1/10W
R2254	1-216-817-11	METAL CHIP	470 5% 1/10W	R2312	1-216-832-11	METAL CHIP	8.2K 5% 1/10W
R2255	1-216-813-11	METAL CHIP	220 5% 1/10W	R2313	1-216-845-11	METAL CHIP	100K 5% 1/10W
R2256	1-216-809-11	METAL CHIP	100 5% 1/10W	R2314	1-216-845-11	METAL CHIP	100K 5% 1/10W
R2257	1-216-809-11	METAL CHIP	100 5% 1/10W	R2315	1-216-832-11	METAL CHIP	8.2K 5% 1/10W
R2258	1-216-809-11	METAL CHIP	100 5% 1/10W	R2316	1-216-821-11	METAL CHIP	1K 5% 1/10W
R2259	1-216-805-11	METAL CHIP	47 5% 1/10W	R2317	1-216-835-11	METAL CHIP	15K 5% 1/10W
R2260	1-216-805-11	METAL CHIP	47 5% 1/10W	R2318	1-216-809-11	METAL CHIP	100 5% 1/10W
R2261	1-216-805-11	METAL CHIP	47 5% 1/10W	R2319	1-216-835-11	METAL CHIP	15K 5% 1/10W
R2262	1-216-805-11	METAL CHIP	47 5% 1/10W	R2320	1-216-809-11	METAL CHIP	100 5% 1/10W
R2263	1-216-833-11	METAL CHIP	10K 5% 1/10W	R2321	1-216-821-11	METAL CHIP	1K 5% 1/10W
R2264	1-216-833-11	METAL CHIP	10K 5% 1/10W	R2322	1-216-832-11	METAL CHIP	8.2K 5% 1/10W
R2265	1-216-809-11	METAL CHIP	100 5% 1/10W	R2323	1-216-845-11	METAL CHIP	100K 5% 1/10W
R2266	1-216-809-11	METAL CHIP	100 5% 1/10W	R2324	1-216-845-11	METAL CHIP	100K 5% 1/10W
R2267	1-216-809-11	METAL CHIP	100 5% 1/10W	R2325	1-216-832-11	METAL CHIP	8.2K 5% 1/10W
R2268	1-216-813-11	METAL CHIP	220 5% 1/10W	R2326	1-216-821-11	METAL CHIP	1K 5% 1/10W
R2269	1-216-809-11	METAL CHIP	100 5% 1/10W	R2327	1-216-835-11	METAL CHIP	15K 5% 1/10W
R2270	1-216-805-11	METAL CHIP	47 5% 1/10W	R2328	1-216-809-11	METAL CHIP	100 5% 1/10W
R2271	1-216-805-11	METAL CHIP	47 5% 1/10W	R2329	1-216-809-11	METAL CHIP	100 5% 1/10W
R2272	1-216-805-11	METAL CHIP	47 5% 1/10W	R2330	1-216-809-11	METAL CHIP	100 5% 1/10W
R2273	1-216-805-11	METAL CHIP	47 5% 1/10W	R2331	1-216-809-11	METAL CHIP	100 5% 1/10W
R2274	1-216-805-11	METAL CHIP	47 5% 1/10W	R2332	1-216-809-11	METAL CHIP	100 5% 1/10W
R2275	1-216-797-11	METAL CHIP	10 5% 1/10W	R2333	1-216-809-11	METAL CHIP	100 5% 1/10W
R2276	1-216-809-11	METAL CHIP	100 5% 1/10W	R2334	1-216-805-11	METAL CHIP	47 5% 1/10W
R2277	1-216-797-11	METAL CHIP	10 5% 1/10W	R2335	1-216-805-11	METAL CHIP	47 5% 1/10W
R2278	1-216-797-11	METAL CHIP	10 5% 1/10W	R2336	1-216-835-11	METAL CHIP	15K 5% 1/10W
R2279	1-216-797-11	METAL CHIP	10 5% 1/10W	R2337	1-216-821-11	METAL CHIP	1K 5% 1/10W
R2280	1-216-809-11	METAL CHIP	100 5% 1/10W	R2338	1-216-832-11	METAL CHIP	8.2K 5% 1/10W
R2281	1-216-809-11	METAL CHIP	100 5% 1/10W	R2339	1-216-809-11	METAL CHIP	100 5% 1/10W
R2282	1-216-809-11	METAL CHIP	100 5% 1/10W	R2340	1-216-809-11	METAL CHIP	100 5% 1/10W
R2283	1-216-809-11	METAL CHIP	100 5% 1/10W	R2341	1-216-833-11	METAL CHIP	10K 5% 1/10W
R2284	1-216-809-11	METAL CHIP	100 5% 1/10W	R2342	1-216-845-11	METAL CHIP	100K 5% 1/10W
R2285	1-216-805-11	METAL CHIP	47 5% 1/10W	R2343	1-216-821-11	METAL CHIP	1K 5% 1/10W
R2286	1-216-809-11	METAL CHIP	100 5% 1/10W	R2344	1-216-845-11	METAL CHIP	100K 5% 1/10W
R2287	1-216-833-11	METAL CHIP	10K 5% 1/10W	R2345	1-216-809-11	METAL CHIP	100 5% 1/10W
R2288	1-216-809-11	METAL CHIP	100 5% 1/10W	R2346	1-216-809-11	METAL CHIP	100 5% 1/10W
R2289	1-216-809-11	METAL CHIP	100 5% 1/10W	R2347	1-216-832-11	METAL CHIP	8.2K 5% 1/10W
R2290	1-216-809-11	METAL CHIP	100 5% 1/10W	R2348	1-216-809-11	METAL CHIP	100 5% 1/10W
R2291	1-216-833-11	METAL CHIP	10K 5% 1/10W	R2349	1-216-821-11	METAL CHIP	1K 5% 1/10W
R2292	1-216-821-11	METAL CHIP	1K 5% 1/10W	R2350	1-216-809-11	METAL CHIP	100 5% 1/10W
R2293	1-216-835-11	METAL CHIP	15K 5% 1/10W	R2351	1-216-809-11	METAL CHIP	100 5% 1/10W
R2294	1-216-809-11	METAL CHIP	100 5% 1/10W	R2352	1-216-809-11	METAL CHIP	100 5% 1/10W
R2295	1-216-821-11	METAL CHIP	1K 5% 1/10W	R2353	1-216-809-11	METAL CHIP	100 5% 1/10W
R2296	1-216-832-11	METAL CHIP	8.2K 5% 1/10W	R2354	1-216-835-11	METAL CHIP	15K 5% 1/10W
R2297	1-216-805-11	METAL CHIP	47 5% 1/10W	R2355	1-216-809-11	METAL CHIP	100 5% 1/10W
R2298	1-216-845-11	METAL CHIP	100K 5% 1/10W	R2356	1-216-809-11	METAL CHIP	100 5% 1/10W
R2299	1-216-845-11	METAL CHIP	100K 5% 1/10W	R2357	1-216-809-11	METAL CHIP	100 5% 1/10W
R2300	1-216-805-11	METAL CHIP	47 5% 1/10W	R2358	1-216-805-11	METAL CHIP	47 5% 1/10W
R2301	1-216-832-11	METAL CHIP	8.2K 5% 1/10W	R2359	1-216-805-11	METAL CHIP	47 5% 1/10W
R2302	1-216-821-11	METAL CHIP	1K 5% 1/10W	R2360	1-216-809-11	METAL CHIP	100 5% 1/10W
R2303	1-216-833-11	METAL CHIP	10K 5% 1/10W	R2361	1-216-809-11	METAL CHIP	100 5% 1/10W
R2304	1-216-835-11	METAL CHIP	15K 5% 1/10W	R2362	1-216-809-11	METAL CHIP	100 5% 1/10W
R2305	1-216-809-11	METAL CHIP	100 5% 1/10W	R2363	1-216-809-11	METAL CHIP	100 5% 1/10W
R2306	1-216-821-11	METAL CHIP	1K 5% 1/10W				

Ref. No.	Part No.	Description	Remark	Ref. No.	Part No.	Description	Remark
R2364	1-216-809-11	METAL CHIP	100 5% 1/10W	C721	1-100-566-91	CERAMIC CHIP 0.1uF 10%	25V
R2365	1-216-809-11	METAL CHIP	100 5% 1/10W	C722	1-126-795-11	ELECT 10uF 20%	50V
R2366	1-216-809-11	METAL CHIP	100 5% 1/10W	C723	1-126-795-11	ELECT 10uF 20%	50V
R2367	1-216-809-11	METAL CHIP	100 5% 1/10W	C724	1-104-957-11	ELECT 47uF 20%	25V
R2368	1-216-833-11	METAL CHIP	10K 5% 1/10W	C725	1-104-957-11	ELECT 47uF 20%	25V
R2369	1-216-833-11	METAL CHIP	10K 5% 1/10W	C726	1-104-957-11	ELECT 47uF 20%	25V
R2370	1-216-833-11	METAL CHIP	10K 5% 1/10W	C727	1-162-966-11	CERAMIC CHIP 0.0022uF 10%	50V
R2371	1-216-809-11	METAL CHIP	100 5% 1/10W	C728	1-162-966-11	CERAMIC CHIP 0.0022uF 10%	50V
R2372	1-216-809-11	METAL CHIP	100 5% 1/10W	C729	1-126-795-11	ELECT 10uF 20%	50V
R2373	1-216-809-11	METAL CHIP	100 5% 1/10W	C730	1-126-795-11	ELECT 10uF 20%	50V
R2374	1-216-809-11	METAL CHIP	100 5% 1/10W	C731	1-126-795-11	ELECT 10uF 20%	50V
R2375	1-216-833-11	METAL CHIP	10K 5% 1/10W	C732	1-126-795-11	ELECT 10uF 20%	50V
R2376	1-216-833-11	METAL CHIP	10K 5% 1/10W	C733	1-107-925-11	ELECT 1uF 20%	100V
R2377	1-216-833-11	METAL CHIP	10K 5% 1/10W	C734	1-104-957-11	ELECT 47uF 20%	25V
R2378	1-216-809-11	METAL CHIP	100 5% 1/10W	C735	1-100-566-91	CERAMIC CHIP 0.1uF 10%	25V
R2379	1-216-833-11	METAL CHIP	10K 5% 1/10W	C737	1-126-795-11	ELECT 10uF 20%	50V
R2380	1-216-833-11	METAL CHIP	10K 5% 1/10W	C739	1-126-795-11	ELECT 10uF 20%	50V
R2381	1-216-797-11	METAL CHIP	10 5% 1/10W	C740	1-126-795-11	ELECT 10uF 20%	50V
R2382	1-216-817-11	METAL CHIP	470 5% 1/10W	C741	1-126-795-11	ELECT 10uF 20%	50V
R2383	1-216-797-11	METAL CHIP	10 5% 1/10W	C742	1-162-966-11	CERAMIC CHIP 0.0022uF 10%	50V
R2384	1-216-833-11	METAL CHIP	10K 5% 1/10W	C743	1-162-966-11	CERAMIC CHIP 0.0022uF 10%	50V
R2385	1-216-833-11	METAL CHIP	10K 5% 1/10W	C744	1-163-259-91	CERAMIC CHIP 220PF 5%	50V
R2386	1-216-833-11	METAL CHIP	10K 5% 1/10W	C745	1-126-795-11	ELECT 10uF 20%	50V
R2387	1-216-809-11	METAL CHIP	100 5% 1/10W	C746	1-107-826-11	CERAMIC CHIP 0.1uF 10%	16V
R2388	1-216-853-11	METAL CHIP	470K 5% 1/10W	C747	1-162-927-11	CERAMIC CHIP 100PF 5%	50V
R2389	1-216-845-11	METAL CHIP	100K 5% 1/10W	C748	1-162-927-11	CERAMIC CHIP 100PF 5%	50V
R2390	1-216-853-11	METAL CHIP	470K 5% 1/10W	C749	1-162-966-11	CERAMIC CHIP 0.0022uF 10%	50V
R2392	1-216-833-11	METAL CHIP	10K 5% 1/10W	C750	1-162-966-11	CERAMIC CHIP 0.0022uF 10%	50V
R2393	1-216-841-11	METAL CHIP	47K 5% 1/10W	C751	1-165-319-11	CERAMIC CHIP 0.1uF	50V
R2394	1-216-841-11	METAL CHIP	47K 5% 1/10W	C754	1-100-566-91	CERAMIC CHIP 0.1uF	10% 25V
R2395	1-216-809-11	METAL CHIP	100 5% 1/10W			< CONNECTOR >	
R2396	1-216-809-11	METAL CHIP	100 5% 1/10W				
R2397	1-216-864-11	SHORT CHIP	0	CN701	1-784-928-11	PIN, CONNECTOR 13P	
R2398	1-216-864-11	SHORT CHIP	0	CN702	1-779-799-11	PIN, CONNECTOR 9P	
		< VIBRATOR >		* CN704	1-564-720-11	PIN, CONNECTOR (SMALL TYPE) 4P	
X2201	1-795-219-21	VIBRATOR, CRYSTAL (24.576MHz)		* CN706	1-564-724-11	PIN, CONNECTOR (SMALL TYPE) 8P	
		*****		CN710	1-784-930-11	PIN, CONNECTOR 15P	
						< DIODE >	
A-1252-350-A		DISPLAY BOARD, COMPLETE (US, CND)		D701	8-719-056-11	LED SML72423C-TP15 (ON/STANDBY)	
A-1252-351-A		DISPLAY BOARD, COMPLETE (AEP, ECE, UK)		D702	8-719-075-59	LED SELS5B23C-TP15 (Digital Cinema Sound)	
		*****		D703	6-501-539-01	LED SELK5E20C-DTP15 (MULTI CHANNEL DECODING)	
2-389-320-01		CUSHION		D704	8-719-041-97	DIODE MA113- (TX)	
		< CAPACITOR >		D705	8-719-041-97	DIODE MA113- (TX)	
C701	1-104-957-11	ELECT	47uF 20% 25V	D706	8-719-041-97	DIODE MA113- (TX)	
C704	1-163-251-11	CERAMIC CHIP	100PF 5% 50V	D707	8-719-041-97	DIODE MA113- (TX)	
C706	1-104-957-11	ELECT	47uF 20% 25V	D708	6-501-743-01	DIODE MAZ8068GMLS0	
C707	1-165-319-11	CERAMIC CHIP	0.1uF 50V	D709	8-719-404-50	DIODE MA111-TX	
C708	1-126-795-11	ELECT	10uF 20% 50V	D710	8-719-404-50	DIODE MA111-TX	
C712	1-165-733-31	ELECT	100uF 20% 25V			< FERRITE BEAD >	
C713	1-107-378-11	MYLAR	0.0039uF 5% 200V	FB701	1-469-152-11	FERRITE, EMI (SMD) (2012)	
C714	1-165-319-11	CERAMIC CHIP	0.1uF 50V	FB702	1-469-152-11	FERRITE, EMI (SMD) (2012)	
C715	1-137-807-31	ELECT	100uF 20% 50V			< IC >	
C716	1-165-319-11	CERAMIC CHIP	0.1uF 50V	IC701	6-600-349-31	IC NJL24H400A	
C718	1-104-957-11	ELECT	47uF 20% 25V	IC702	6-705-468-01	IC BA33BC0FP-E2	
C719	1-100-566-91	CERAMIC CHIP	0.1uF 10% 25V				

# STR-DA5300ES

**DISPLAY** **DSP**

Ref. No.	Part No.	Description	Remark
IC703	8-759-825-56	IC NJM2173AV (TE2)	
		< JUMPER RESISTOR >	
JW753	1-216-296-11	SHORT CHIP 0	
		< COIL >	
L701	1-421-967-11	INDUCTOR 100uH	
		< FLUORESCENT INDICATOR TUBE >	
ND701	1-519-954-11	INDICATOR TUBE, FLUORESCENT	
		< TRANSISTOR >	
Q701	8-729-027-43	TRANSISTOR DTC114EKA-T146	
Q702	8-729-027-43	TRANSISTOR DTC114EKA-T146	
Q703	8-729-027-43	TRANSISTOR DTC114EKA-T146	
Q704	8-729-027-43	TRANSISTOR DTC114EKA-T146	
Q705	8-729-808-42	TRANSISTOR 2SD1624-T	
Q706	8-729-808-42	TRANSISTOR 2SD1624-T	
Q707	8-729-024-91	TRANSISTOR 2SC2712-GL-TE85L	
Q708	8-729-024-91	TRANSISTOR 2SC2712-GL-TE85L	
Q709	8-729-027-43	TRANSISTOR DTC114EKA-T146	
Q710	8-729-024-91	TRANSISTOR 2SC2712-GL-TE85L	
Q711	8-729-216-22	TRANSISTOR 2SA1162-G	
		< RESISTOR >	
R701	1-216-037-00	RES-CHIP 330 5%	1/10W
R703	1-216-295-91	SHORT CHIP 0	
R705	1-216-295-91	SHORT CHIP 0	
R706	1-216-001-00	RES-CHIP 10 5%	1/10W
△ R707	1-249-385-11	CARBON 2.2 5%	1/4W F
△ R708	1-249-385-11	CARBON 2.2 5%	1/4W F
R709	1-216-025-11	RES-CHIP 100 5%	1/10W
R710	1-216-025-11	RES-CHIP 100 5%	1/10W
R711	1-216-025-11	RES-CHIP 100 5%	1/10W
R712	1-216-025-11	RES-CHIP 100 5%	1/10W
R713	1-216-025-11	RES-CHIP 100 5%	1/10W
R714	1-216-025-11	RES-CHIP 100 5%	1/10W
R715	1-216-025-11	RES-CHIP 100 5%	1/10W
R716	1-216-025-11	RES-CHIP 100 5%	1/10W
R717	1-216-025-11	RES-CHIP 100 5%	1/10W
R718	1-216-025-11	RES-CHIP 100 5%	1/10W
R719	1-216-037-00	RES-CHIP 330 5%	1/10W
R720	1-216-025-11	RES-CHIP 100 5%	1/10W
R721	1-216-029-00	RES-CHIP 150 5%	1/10W
R723	1-216-057-00	RES-CHIP 2.2K 5%	1/10W
R724	1-216-049-11	RES-CHIP 1K 5%	1/10W
R725	1-216-081-00	RES-CHIP 22K 5%	1/10W
R726	1-216-073-91	RES-CHIP 10K 5%	1/10W
R727	1-216-065-91	RES-CHIP 4.7K 5%	1/10W
R728	1-216-057-00	RES-CHIP 2.2K 5%	1/10W
R729	1-216-057-00	RES-CHIP 2.2K 5%	1/10W
R730	1-216-049-11	RES-CHIP 1K 5%	1/10W
R731	1-216-067-00	RES-CHIP 5.6K 5%	1/10W
R733	1-216-049-11	RES-CHIP 1K 5%	1/10W
R734	1-216-083-00	RES-CHIP 27K 5%	1/10W
R735	1-216-049-11	RES-CHIP 1K 5%	1/10W

Ref. No.	Part No.	Description	Remark
R736	1-216-049-11	RES-CHIP 1K 5%	1/10W
R737	1-216-833-11	METAL CHIP 10K 5%	1/10W
R738	1-216-833-11	METAL CHIP 10K 5%	1/10W
R740	1-216-833-11	METAL CHIP 10K 5%	1/10W
R741	1-216-833-11	METAL CHIP 10K 5%	1/10W
R743	1-216-825-11	METAL CHIP 2.2K 5%	1/10W
R744	1-216-821-11	METAL CHIP 1K 5%	1/10W
R745	1-216-849-11	METAL CHIP 220K 5%	1/10W
R746	1-216-843-11	METAL CHIP 68K 5%	1/10W
R748	1-216-825-11	METAL CHIP 2.2K 5%	1/10W
R749	1-216-821-11	METAL CHIP 1K 5%	1/10W
R750	1-216-849-11	METAL CHIP 220K 5%	1/10W
R751	1-216-843-11	METAL CHIP 68K 5%	1/10W
R752	1-216-825-11	METAL CHIP 2.2K 5%	1/10W
R753	1-216-825-11	METAL CHIP 2.2K 5%	1/10W
R754	1-216-821-11	METAL CHIP 1K 5%	1/10W
R755	1-216-821-11	METAL CHIP 1K 5%	1/10W
R757	1-216-025-11	RES-CHIP 100 5%	1/10W
R758	1-216-041-00	RES-CHIP 470 5%	1/10W
R759	1-216-073-91	RES-CHIP 10K 5%	1/10W
R772	1-216-057-00	RES-CHIP 2.2K 5%	1/10W
		< SWITCH/ROTARY ENCODER >	
S701	1-771-349-21	SWITCH, KEYBOARD (MUSIC)	
S702	1-771-349-21	SWITCH, KEYBOARD (MOVIE)	
S703	1-771-349-21	SWITCH, KEYBOARD (A.F.D.)	
S704	1-771-349-21	SWITCH, KEYBOARD (2CH/A.DIRECT)	
S705	1-771-349-21	SWITCH, KEYBOARD (SUR BACK DECODING)	
S706	1-771-349-21	SWITCH, KEYBOARD (DISPLAY)	
S707	1-771-349-21	SWITCH, KEYBOARD (DIMMER)	
S708	1-771-349-21	SWITCH, KEYBOARD (MEMORY/ENTER)	
S709	1-771-349-21	SWITCH, KEYBOARD (TUNING MODE)	
S710	1-771-349-21	SWITCH, KEYBOARD (TONE MODE)	
S711	1-771-349-21	SWITCH, KEYBOARD (ZONE SELECT)	
S712	1-771-349-21	SWITCH, KEYBOARD (ZONE POWER)	
S713	1-418-400-11	ENCODER, ROTARY (TONE)	
S714	1-418-400-11	ENCODER, ROTARY (TUNING)	
S715	1-418-400-11	ENCODER, ROTARY (INPUT SELECTOR)	
		< TRANSFORMER >	
T701	1-445-015-11	TRANSFORMER, DC-DC CONVERTER	
*****			
	A-1252-433-A	DSP BOARD, COMPLETE	
		*****	
		< CAPACITOR >	
C5001	1-100-669-11	ELECT CHIP 100uF 20%	10V
C5006	1-107-826-11	CERAMIC CHIP 0.1uF 10%	16V
C5007	1-114-385-11	ELECT CHIP 470uF 20%	6.3V
C5009	1-162-915-11	CERAMIC CHIP 10PF 0.5PF	50V
C5010	1-162-915-11	CERAMIC CHIP 10PF 0.5PF	50V
C5011	1-107-826-11	CERAMIC CHIP 0.1uF 10%	16V
C5012	1-107-826-11	CERAMIC CHIP 0.1uF 10%	16V
C5014	1-115-416-11	CERAMIC CHIP 0.001uF 5%	25V
C5019	1-117-370-11	CERAMIC CHIP 10uF	10V
C5023	1-107-826-11	CERAMIC CHIP 0.1uF 10%	16V
C5024	1-162-970-11	CERAMIC CHIP 0.01uF 10%	25V



# STR-DA5300ES

DSP

Ref. No.	Part No.	Description	Remark	Ref. No.	Part No.	Description	Remark
FB5204	1-469-152-11	FERRITE, EMI (SMD) (2012)		R5055	1-216-864-11	SHORT CHIP	0
FB5205	1-469-152-11	FERRITE, EMI (SMD) (2012)		R5056	1-216-864-11	SHORT CHIP	0
FB5206	1-469-152-11	FERRITE, EMI (SMD) (2012)		R5057	1-216-864-11	SHORT CHIP	0
FB5207	1-469-152-11	FERRITE, EMI (SMD) (2012)		R5058	1-216-864-11	SHORT CHIP	0
FB5208	1-469-152-11	FERRITE, EMI (SMD) (2012)		R5059	1-216-864-11	SHORT CHIP	0
		< IC >		R5060	1-216-801-11	METAL CHIP	22 5% 1/10W
IC5001	6-705-308-01	IC SI-3010KM-TL		R5061	1-216-801-11	METAL CHIP	22 5% 1/10W
IC5002	(Not supplied)	IC ADSST-AVR-1132		R5062	1-216-801-11	METAL CHIP	22 5% 1/10W
IC5006	6-807-374-04	IC S29AL008D70TFI010-EX4116		R5063	1-216-801-11	METAL CHIP	22 5% 1/10W
IC5007	6-710-529-01	IC IS61LV5128AL-10TLI		R5064	1-216-801-11	METAL CHIP	22 5% 1/10W
IC5009	6-701-992-01	IC SN74LVC573APWR		R5065	1-216-801-11	METAL CHIP	22 5% 1/10W
IC5010	6-701-992-01	IC SN74LVC573APWR		R5066	1-216-801-11	METAL CHIP	22 5% 1/10W
IC5012	6-706-492-01	IC TC7SHU04FU (T5RSOJF)		R5067	1-216-801-11	METAL CHIP	22 5% 1/10W
IC5013	6-707-870-01	IC TC74VHC157FT (EKJ)		R5068	1-216-821-11	METAL CHIP	1K 5% 1/10W
IC5201	6-705-308-01	IC SI-3010KM-TL		R5069	1-216-801-11	METAL CHIP	22 5% 1/10W
IC5202	(Not supplied)	IC ADSST-AVR-1131		R5070	1-216-864-11	SHORT CHIP	0
IC5207	6-710-003-01	IC IS61LV12816L-8TL		R5071	1-216-864-11	SHORT CHIP	0
IC5208	6-807-422-01	IC MB91F353APMT-07A53DSP-X103		R5072	1-216-864-11	SHORT CHIP	0
IC5209	6-701-992-01	IC SN74LVC573APWR		R5073	1-216-801-11	METAL CHIP	22 5% 1/10W
IC5210	6-701-992-01	IC SN74LVC573APWR		R5074	1-216-801-11	METAL CHIP	22 5% 1/10W
IC5211	8-759-831-52	IC TC7WH125FK (TE85R)		R5075	1-216-801-11	METAL CHIP	22 5% 1/10W
IC5212	8-759-680-48	IC TC7WH157FK (TE85R)		R5076	1-216-864-11	SHORT CHIP	0
IC5213	6-807-854-01	IC SST25VF040B-07A53J-X101		R5077	1-216-864-11	SHORT CHIP	0
		< RESISTOR >		R5078	1-216-864-11	SHORT CHIP	0
R5002	1-216-833-11	METAL CHIP	10K 5% 1/10W	R5096	1-216-864-11	SHORT CHIP	0
R5003	1-216-821-11	METAL CHIP	1K 5% 1/10W	R5097	1-216-801-11	METAL CHIP	22 5% 1/10W
R5004	1-216-857-11	METAL CHIP	1M 5% 1/10W	R5098	1-216-801-11	METAL CHIP	22 5% 1/10W
R5005	1-216-833-11	METAL CHIP	10K 5% 1/10W	R5202	1-216-833-11	METAL CHIP	10K 5% 1/10W
R5013	1-216-864-11	SHORT CHIP	0	R5204	1-216-833-11	METAL CHIP	10K 5% 1/10W
R5014	1-218-854-11	METAL CHIP	2K 0.5% 1/10W	R5205	1-216-833-11	METAL CHIP	10K 5% 1/10W
R5015	1-218-871-11	METAL CHIP	10K 0.5% 1/10W	R5208	1-216-833-11	METAL CHIP	10K 5% 1/10W
R5016	1-216-864-11	SHORT CHIP	0	R5209	1-216-833-11	METAL CHIP	10K 5% 1/10W
R5018	1-216-864-11	SHORT CHIP	0	R5212	1-216-833-11	METAL CHIP	10K 5% 1/10W
R5020	1-216-864-11	SHORT CHIP	0	R5213	1-216-864-11	SHORT CHIP	0
R5021	1-216-833-11	METAL CHIP	10K 5% 1/10W	R5214	1-218-854-11	METAL CHIP	2K 0.5% 1/10W
R5023	1-216-805-11	METAL CHIP	47 5% 1/10W	R5215	1-218-871-11	METAL CHIP	10K 0.5% 1/10W
R5024	1-216-821-11	METAL CHIP	1K 5% 1/10W	R5216	1-216-864-11	SHORT CHIP	0
R5025	1-216-805-11	METAL CHIP	47 5% 1/10W	R5218	1-216-864-11	SHORT CHIP	0
R5026	1-216-801-11	METAL CHIP	22 5% 1/10W	R5220	1-216-864-11	SHORT CHIP	0
R5027	1-216-801-11	METAL CHIP	22 5% 1/10W	R5221	1-216-833-11	METAL CHIP	10K 5% 1/10W
R5028	1-216-801-11	METAL CHIP	22 5% 1/10W	R5223	1-216-864-11	SHORT CHIP	0
R5032	1-216-833-11	METAL CHIP	10K 5% 1/10W	R5224	1-216-821-11	METAL CHIP	1K 5% 1/10W
R5035	1-216-857-11	METAL CHIP	1M 5% 1/10W	R5225	1-216-805-11	METAL CHIP	47 5% 1/10W
R5038	1-216-833-11	METAL CHIP	10K 5% 1/10W	R5226	1-216-801-11	METAL CHIP	22 5% 1/10W
R5041	1-216-833-11	METAL CHIP	10K 5% 1/10W	R5227	1-216-801-11	METAL CHIP	22 5% 1/10W
R5042	1-216-864-11	SHORT CHIP	0	R5228	1-216-801-11	METAL CHIP	22 5% 1/10W
R5044	1-216-864-11	SHORT CHIP	0	R5229	1-216-801-11	METAL CHIP	22 5% 1/10W
R5046	1-216-864-11	SHORT CHIP	0	R5230	1-216-801-11	METAL CHIP	22 5% 1/10W
R5047	1-216-864-11	SHORT CHIP	0	R5231	1-216-833-11	METAL CHIP	10K 5% 1/10W
R5048	1-216-801-11	METAL CHIP	22 5% 1/10W	R5232	1-216-833-11	METAL CHIP	10K 5% 1/10W
R5049	1-216-864-11	SHORT CHIP	0	R5233	1-216-833-11	METAL CHIP	10K 5% 1/10W
R5051	1-216-864-11	SHORT CHIP	0	R5234	1-216-833-11	METAL CHIP	10K 5% 1/10W
R5052	1-216-864-11	SHORT CHIP	0	R5235	1-216-857-11	METAL CHIP	1M 5% 1/10W
R5053	1-216-801-11	METAL CHIP	22 5% 1/10W	R5238	1-216-833-11	METAL CHIP	10K 5% 1/10W
R5054	1-216-801-11	METAL CHIP	22 5% 1/10W	R5241	1-216-833-11	METAL CHIP	10K 5% 1/10W
				R5242	1-216-864-11	SHORT CHIP	0
				R5244	1-216-864-11	SHORT CHIP	0
				R5246	1-216-801-11	METAL CHIP	22 5% 1/10W

**Note:** IC5002 and the IC5202 cannot exchange with single. When IC5002 and the IC5202 are damaged, exchange the entire mounted board.

Ref. No.	Part No.	Description	Remark	Ref. No.	Part No.	Description	Remark
R5247	1-216-864-11	SHORT CHIP	0	RB5012	1-242-963-21	RES, NETWORK 33 (1005X4)	
R5248	1-216-801-11	METAL CHIP	22	RB5013	1-242-963-21	RES, NETWORK 33 (1005X4)	5% 1/10W
R5249	1-216-864-11	SHORT CHIP	0	RB5014	1-242-963-21	RES, NETWORK 33 (1005X4)	
R5251	1-216-864-11	SHORT CHIP	0	RB5015	1-242-963-21	RES, NETWORK 33 (1005X4)	
R5252	1-216-864-11	SHORT CHIP	0	RB5016	1-242-963-21	RES, NETWORK 33 (1005X4)	
R5253	1-216-801-11	METAL CHIP	22	RB5017	1-242-963-21	RES, NETWORK 33 (1005X4)	5% 1/10W
R5254	1-216-801-11	METAL CHIP	22	RB5203	1-234-372-11	RES, NETWORK 100 (1005X4)	5% 1/10W
R5255	1-216-864-11	SHORT CHIP	0	RB5204	1-234-372-11	RES, NETWORK 100 (1005X4)	
R5256	1-216-864-11	SHORT CHIP	0	RB5205	1-234-372-11	RES, NETWORK 100 (1005X4)	
R5257	1-216-864-11	SHORT CHIP	0	RB5206	1-242-963-21	RES, NETWORK 33 (1005X4)	
R5258	1-216-864-11	SHORT CHIP	0	RB5207	1-242-963-21	RES, NETWORK 33 (1005X4)	
R5259	1-216-864-11	SHORT CHIP	0	RB5208	1-242-963-21	RES, NETWORK 33 (1005X4)	
R5260	1-216-801-11	METAL CHIP	22	RB5209	1-242-963-21	RES, NETWORK 33 (1005X4)	5% 1/10W
R5261	1-216-801-11	METAL CHIP	22	RB5210	1-234-372-11	RES, NETWORK 100 (1005X4)	5% 1/10W
R5262	1-216-801-11	METAL CHIP	22	RB5214	1-242-963-21	RES, NETWORK 33 (1005X4)	5% 1/10W
R5263	1-216-801-11	METAL CHIP	22	RB5215	1-242-963-21	RES, NETWORK 33 (1005X4)	5% 1/10W
R5264	1-216-801-11	METAL CHIP	22	RB5216	1-242-963-21	RES, NETWORK 33 (1005X4)	5% 1/10W
R5265	1-216-801-11	METAL CHIP	22	RB5217	1-242-963-21	RES, NETWORK 33 (1005X4)	5% 1/10W
R5266	1-216-801-11	METAL CHIP	22			< VIBRATOR >	5% 1/10W
R5267	1-216-801-11	METAL CHIP	22	X5001	1-795-843-11	VIBRATOR, CRYSTAL (12.288MHz)	5% 1/10W
R5268	1-216-801-11	METAL CHIP	22	X5201	1-813-967-21	PIEZOELECTRIC OSCILLAT (25MHz)	5% 1/10W
R5269	1-216-864-11	SHORT CHIP	0	X5202	1-781-893-21	VIBRATOR, CERAMIC (CHIP TYPE) (12.5MHz)	5% 1/10W
R5270	1-216-837-11	METAL CHIP	22K			*****	5% 1/10W
R5271	1-216-837-11	METAL CHIP	22K				5% 1/10W
R5272	1-216-837-11	METAL CHIP	22K				5% 1/10W
R5273	1-216-864-11	SHORT CHIP	0	A-1252-334-A	E-VOL BOARD, COMPLETE	*****	
R5274	1-216-864-11	SHORT CHIP	0			< CAPACITOR >	
R5275	1-216-821-11	METAL CHIP	1K	C1202	1-112-114-11	ELECT 22uF 20% 50V	5% 1/10W
R5278	1-216-864-11	SHORT CHIP	0	C1203	1-112-083-11	ELECT 100uF 20% 16V	
R5279	1-216-864-11	SHORT CHIP	0	C1204	1-163-235-11	CERAMIC CHIP 22PF 5% 50V	
R5280	1-216-864-11	SHORT CHIP	0	C1205	1-164-690-91	CERAMIC CHIP 0.0022uF 5% 50V	
R5281	1-216-864-11	SHORT CHIP	0	C1206	1-163-021-91	CERAMIC CHIP 0.01uF 10% 50V	
R5282	1-216-864-11	SHORT CHIP	0	C1207	1-163-275-11	CERAMIC CHIP 0.001uF 5% 50V	
R5283	1-216-864-11	SHORT CHIP	0	C1208	1-163-021-91	CERAMIC CHIP 0.01uF 10% 50V	
R5284	1-216-821-11	METAL CHIP	1K	C1209	1-163-021-91	CERAMIC CHIP 0.01uF 10% 50V	5% 1/10W
R5285	1-216-821-11	METAL CHIP	1K	C1210	1-163-227-11	CERAMIC CHIP 10PF 0.5PF 50V	5% 1/10W
R5286	1-216-864-11	SHORT CHIP	0	C1212	1-112-114-11	ELECT 22uF 20% 50V	
R5287	1-216-864-11	SHORT CHIP	0	C1213	1-112-083-11	ELECT 100uF 20% 16V	
R5288	1-216-864-11	SHORT CHIP	0	C1214	1-163-235-11	CERAMIC CHIP 22PF 5% 50V	
R5289	1-216-864-11	SHORT CHIP	0	C1215	1-164-690-91	CERAMIC CHIP 0.0022uF 5% 50V	
R5290	1-216-864-11	SHORT CHIP	0	C1216	1-163-021-91	CERAMIC CHIP 0.01uF 10% 50V	
R5291	1-216-864-11	SHORT CHIP	0	C1217	1-163-275-11	CERAMIC CHIP 0.001uF 5% 50V	
R5292	1-216-801-11	METAL CHIP	22	C1218	1-163-021-91	CERAMIC CHIP 0.01uF 10% 50V	5% 1/10W
R5293	1-216-801-11	METAL CHIP	22	C1219	1-163-021-91	CERAMIC CHIP 0.01uF 10% 50V	5% 1/10W
R5294	1-216-864-11	SHORT CHIP	0	C1220	1-163-227-11	CERAMIC CHIP 10PF 0.5PF 50V	
R5295	1-216-864-11	SHORT CHIP	0	C1222	1-112-114-11	ELECT 22uF 20% 50V	
R5296	1-216-864-11	SHORT CHIP	0	C1223	1-112-083-11	ELECT 100uF 20% 16V	
R5297	1-216-864-11	SHORT CHIP	0	C1224	1-163-235-11	CERAMIC CHIP 22PF 5% 50V	
R5298	1-216-864-11	SHORT CHIP	0	C1225	1-164-690-91	CERAMIC CHIP 0.0022uF 5% 50V	
R5299	1-216-833-11	METAL CHIP	10K	C1226	1-163-021-91	CERAMIC CHIP 0.01uF 10% 50V	5% 1/10W
		< COMPOSITION CIRCUIT BLOCK >		C1227	1-163-275-11	CERAMIC CHIP 0.001uF 5% 50V	
RB5006	1-234-371-21	RES, NETWORK	47 (1005X4)	C1228	1-163-021-91	CERAMIC CHIP 0.01uF 10% 50V	
RB5007	1-234-371-21	RES, NETWORK	47 (1005X4)	C1229	1-163-021-91	CERAMIC CHIP 0.01uF 10% 50V	
RB5008	1-234-371-21	RES, NETWORK	47 (1005X4)	C1230	1-163-227-11	CERAMIC CHIP 10PF 0.5PF 50V	
RB5010	1-242-963-21	RES, NETWORK	33 (1005X4)	C1232	1-112-114-11	ELECT 22uF 20% 50V	
RB5011	1-242-963-21	RES, NETWORK	33 (1005X4)	C1233	1-112-083-11	ELECT 100uF 20% 16V	

# STR-DA5300ES

**E-VOL** **FLI-1.8REG** **KEY1**

Ref. No.	Part No.	Description	Remark
C1234	1-163-235-11	CERAMIC CHIP 22PF 5%	50V
C1235	1-164-690-91	CERAMIC CHIP 0.0022uF 5%	50V
C1236	1-163-021-91	CERAMIC CHIP 0.01uF 10%	50V
C1237	1-163-275-11	CERAMIC CHIP 0.001uF 5%	50V
C1238	1-163-021-91	CERAMIC CHIP 0.01uF 10%	50V
C1239	1-163-021-91	CERAMIC CHIP 0.01uF 10%	50V
C1240	1-163-227-11	CERAMIC CHIP 10PF 0.5PF	50V
C1243	1-112-426-11	ELECT 47uF 20%	35V
C1244	1-163-227-11	CERAMIC CHIP 10PF 0.5PF	50V
C1252	1-112-114-11	ELECT 22uF 20%	50V
C1253	1-112-083-11	ELECT 100uF 20%	16V
C1254	1-163-235-11	CERAMIC CHIP 22PF 5%	50V
C1255	1-164-690-91	CERAMIC CHIP 0.0022uF 5%	50V
C1262	1-112-114-11	ELECT 22uF 20%	50V
C1263	1-112-083-11	ELECT 100uF 20%	16V
C1264	1-163-235-11	CERAMIC CHIP 22PF 5%	50V
C1265	1-164-690-91	CERAMIC CHIP 0.0022uF 5%	50V
C1272	1-112-114-11	ELECT 22uF 20%	50V
C1273	1-112-083-11	ELECT 100uF 20%	16V
C1274	1-163-235-11	CERAMIC CHIP 22PF 5%	50V
C1275	1-164-690-91	CERAMIC CHIP 0.0022uF 5%	50V
C1280	1-163-227-11	CERAMIC CHIP 10PF 0.5PF	50V
C1282	1-112-114-11	ELECT 22uF 20%	50V
C1283	1-112-083-11	ELECT 100uF 20%	16V
C1284	1-163-235-11	CERAMIC CHIP 22PF 5%	50V
C1285	1-164-690-91	CERAMIC CHIP 0.0022uF 5%	50V
C1286	1-163-227-11	CERAMIC CHIP 10PF 0.5PF	50V
C1290	1-163-227-11	CERAMIC CHIP 10PF 0.5PF	50V
< CONNECTOR >			
CN1201	1-764-864-41	CONNECTOR, BOARD TO BOARD 12P	
CN1202	1-573-829-11	CONNECTOR, BOARD TO BOARD 15P	
CN1203	1-573-829-11	CONNECTOR, BOARD TO BOARD 15P	
CN1204	1-766-719-41	CONNECTOR, BOARD TO BOARD 10P	
CN1208	1-784-925-11	PIN, CONNECTOR 10P	
CN1209	1-779-977-11	PIN, CONNECTOR 6P	
< IC >			
IC1202	8-759-710-97	IC NJM4565M-D	
IC1203	6-709-814-01	IC CXD9725M-HFL	
IC1212	8-759-710-97	IC NJM4565M-D	
IC1213	6-709-814-01	IC CXD9725M-HFL	
IC1222	8-759-710-97	IC NJM4565M-D	
IC1223	6-709-814-01	IC CXD9725M-HFL	
IC1232	8-759-710-97	IC NJM4565M-D	
IC1233	6-709-814-01	IC CXD9725M-HFL	
< RESISTOR >			
R1202	1-216-049-11	RES-CHIP 1K 5%	1/10W
R1203	1-216-097-11	RES-CHIP 100K 5%	1/10W
R1204	1-216-025-11	RES-CHIP 100 5%	1/10W
R1205	1-216-013-00	RES-CHIP 33 5%	1/10W
R1206	1-216-013-00	RES-CHIP 33 5%	1/10W
R1207	1-216-097-11	RES-CHIP 100K 5%	1/10W
R1212	1-216-049-11	RES-CHIP 1K 5%	1/10W
R1213	1-216-097-11	RES-CHIP 100K 5%	1/10W
R1214	1-216-025-11	RES-CHIP 100 5%	1/10W

Ref. No.	Part No.	Description	Remark
R1215	1-216-013-00	RES-CHIP 33 5%	1/10W
R1216	1-216-013-00	RES-CHIP 33 5%	1/10W
R1217	1-216-097-11	RES-CHIP 100K 5%	1/10W
R1222	1-216-049-11	RES-CHIP 1K 5%	1/10W
R1223	1-216-097-11	RES-CHIP 100K 5%	1/10W
R1224	1-216-025-11	RES-CHIP 100 5%	1/10W
R1225	1-216-013-00	RES-CHIP 33 5%	1/10W
R1226	1-216-013-00	RES-CHIP 33 5%	1/10W
R1227	1-216-097-11	RES-CHIP 100K 5%	1/10W
R1232	1-216-049-11	RES-CHIP 1K 5%	1/10W
R1233	1-216-097-11	RES-CHIP 100K 5%	1/10W
R1234	1-216-025-11	RES-CHIP 100 5%	1/10W
R1235	1-216-013-00	RES-CHIP 33 5%	1/10W
R1236	1-216-013-00	RES-CHIP 33 5%	1/10W
R1237	1-216-097-11	RES-CHIP 100K 5%	1/10W
R1252	1-216-049-11	RES-CHIP 1K 5%	1/10W
R1253	1-216-097-11	RES-CHIP 100K 5%	1/10W
R1257	1-216-097-11	RES-CHIP 100K 5%	1/10W
R1262	1-216-049-11	RES-CHIP 1K 5%	1/10W
R1263	1-216-097-11	RES-CHIP 100K 5%	1/10W
R1267	1-216-097-11	RES-CHIP 100K 5%	1/10W
R1272	1-216-049-11	RES-CHIP 1K 5%	1/10W
R1273	1-216-097-11	RES-CHIP 100K 5%	1/10W
R1277	1-216-097-11	RES-CHIP 100K 5%	1/10W
R1282	1-216-049-11	RES-CHIP 1K 5%	1/10W
R1283	1-216-097-11	RES-CHIP 100K 5%	1/10W
R1287	1-216-097-11	RES-CHIP 100K 5%	1/10W

\*\*\*\*\*

FLI-1.8REG BOARD

\*\*\*\*\*

< CAPACITOR >

C3750	1-107-907-11	ELECT 22uF 20%	50V
C3751	1-107-826-11	CERAMIC CHIP 0.1uF 10%	16V
C3752	1-107-910-11	ELECT 100uF 20%	50V
C3800	1-107-875-91	ELECT 220uF 20%	10V
C3879	1-107-826-11	CERAMIC CHIP 0.1uF 10%	16V

< IC >

IC3617 6-600-632-01 IC SI-3011ZFE

< RESISTOR >

R3737	1-218-871-11	METAL CHIP 10K 0.5%	1/10W
R3739	1-216-810-11	METAL CHIP 120 5%	1/10W
R3814	1-218-867-11	METAL CHIP 6.8K 0.5%	1/10W
R3815	1-218-871-11	METAL CHIP 10K 0.5%	1/10W

\*\*\*\*\*

KEY1 BOARD

\*\*\*\*\*

< CONNECTOR >

\* CN715 1-568-941-11 PIN, CONNECTOR 3P

< RESISTOR >

R760	1-216-057-00	RES-CHIP 2.2K 5%	1/10W
R761	1-216-057-00	RES-CHIP 2.2K 5%	1/10W



Ref. No.	Part No.	Description	Remark	Ref. No.	Part No.	Description	Remark
		< SWITCH >					
S720	1-771-349-21	SWITCH, KEYBOARD (DMPORT)		C2202	1-115-339-11	CERAMIC CHIP 0.1uF 10%	50V
S721	1-771-349-21	SWITCH, KEYBOARD (HDMI)		C2203	1-115-339-11	CERAMIC CHIP 0.1uF 10%	50V
*****				C2204	1-115-339-11	CERAMIC CHIP 0.1uF 10%	50V
	A-1252-304-A	MAIN BOARD, COMPLETE (US, CND)		C2205	1-115-339-11	CERAMIC CHIP 0.1uF 10%	50V
	A-1252-305-A	MAIN BOARD, COMPLETE (AEP, ECE, UK)		C2206	1-112-114-11	ELECT 22uF 20%	50V
*****				C2207	1-112-114-11	ELECT 22uF 20%	50V
	3-531-576-41	RIVET (DIA. 3), NYLON		C2208	1-112-114-11	ELECT 22uF 20%	50V
		< CAPACITOR >		C2209	1-112-114-11	ELECT 22uF 20%	50V
C1491	1-109-982-11	CERAMIC CHIP 1uF 10%	10V	C2210	1-112-114-11	ELECT 22uF 20%	50V
C1492	1-109-982-11	CERAMIC CHIP 1uF 10%	10V	C2211	1-112-114-11	ELECT 22uF 20%	50V
C1493	1-109-982-11	CERAMIC CHIP 1uF 10%	10V	C2212	1-112-114-11	ELECT 22uF 20%	50V
C1494	1-109-982-11	CERAMIC CHIP 1uF 10%	10V	C2213	1-112-114-11	ELECT 22uF 20%	50V
C1495	1-125-889-11	CERAMIC CHIP 2.2uF 10%	10V	C2214	1-115-339-11	CERAMIC CHIP 0.1uF 10%	50V
C1496	1-164-004-11	CERAMIC CHIP 0.1uF 10%	25V	C2290	1-112-114-11	ELECT 22uF 20%	50V
C1498	1-163-251-11	CERAMIC CHIP 100PF 5%	50V	C2300	1-112-114-11	ELECT 22uF 20%	50V
C2082	1-163-025-11	CERAMIC CHIP 0.001uF	50V	C2310	1-112-114-11	ELECT 22uF 20%	50V
C2083	1-163-025-11	CERAMIC CHIP 0.001uF	50V	C2320	1-112-114-11	ELECT 22uF 20%	50V
C2086	1-112-089-11	ELECT 47uF 20%	25V	C2330	1-112-114-11	ELECT 22uF 20%	50V
C2087	1-112-089-11	ELECT 47uF 20%	25V	C2331	1-112-114-11	ELECT 22uF 20%	50V
C2088	1-163-251-11	CERAMIC CHIP 100PF 5%	50V	C2340	1-112-114-11	ELECT 22uF 20%	50V
C2089	1-163-251-11	CERAMIC CHIP 100PF 5%	50V	C2350	1-112-114-11	ELECT 22uF 20%	50V
C2090	1-163-251-11	CERAMIC CHIP 100PF 5%	50V	C2360	1-112-114-11	ELECT 22uF 20%	50V
C2091	1-163-251-11	CERAMIC CHIP 100PF 5%	50V	C2370	1-112-114-11	ELECT 22uF 20%	50V
C2093	1-163-251-11	CERAMIC CHIP 100PF 5%	50V	C2390	1-164-690-91	CERAMIC CHIP 0.0022uF 5%	50V
C2094	1-163-251-11	CERAMIC CHIP 100PF 5%	50V	C2391	1-164-690-91	CERAMIC CHIP 0.0022uF 5%	50V
C2095	1-163-251-11	CERAMIC CHIP 100PF 5%	50V	C2392	1-163-021-91	CERAMIC CHIP 0.01uF 10%	50V
C2096	1-163-251-11	CERAMIC CHIP 100PF 5%	50V	C2393	1-112-114-11	ELECT 22uF 20%	50V
C2097	1-163-251-11	CERAMIC CHIP 100PF 5%	50V	C2394	1-112-114-11	ELECT 22uF 20%	50V
C2098	1-163-251-11	CERAMIC CHIP 100PF 5%	50V	C2395	1-163-251-11	CERAMIC CHIP 100PF 5%	50V
C2100	1-164-690-91	CERAMIC CHIP 0.0022uF 5%	50V	C2490	1-114-537-11	ELECT (BLOCK) 8200uF 20%	71V
C2101	1-164-690-91	CERAMIC CHIP 0.0022uF 5%	50V	C2491	1-114-537-11	ELECT (BLOCK) 8200uF 20%	71V
C2102	1-163-021-91	CERAMIC CHIP 0.01uF 10%	50V	C2492	1-137-350-11	FILM 0.015uF 5%	100V
C2103	1-163-251-11	CERAMIC CHIP 100PF 5%	50V	C2493	1-137-350-11	FILM 0.015uF 5%	100V
C2104	1-112-114-11	ELECT 22uF 20%	50V	C2494	1-107-373-51	MYLAR 0.33uF 10%	200V
C2105	1-112-114-11	ELECT 22uF 20%	50V	C2495	1-115-339-11	CERAMIC CHIP 0.1uF 10%	50V
C2106	1-112-114-11	ELECT 22uF 20%	50V	C2497	1-112-422-11	ELECT 470uF 20%	25V
C2107	1-112-114-11	ELECT 22uF 20%	50V	C2498	1-112-422-11	ELECT 470uF 20%	25V
C2108	1-112-114-11	ELECT 22uF 20%	50V	C2499	1-115-339-11	CERAMIC CHIP 0.1uF 10%	50V
C2109	1-112-114-11	ELECT 22uF 20%	50V	C2500	1-115-339-11	CERAMIC CHIP 0.1uF 10%	50V
C2110	1-112-114-11	ELECT 22uF 20%	50V	C2501	1-115-339-11	CERAMIC CHIP 0.1uF 10%	50V
C2111	1-112-114-11	ELECT 22uF 20%	50V	C2503	1-115-339-11	CERAMIC CHIP 0.1uF 10%	50V
C2189	1-163-275-11	CERAMIC CHIP 0.001uF 5%	50V	C2504	1-112-422-11	ELECT 470uF 20%	25V
C2190	1-163-275-11	CERAMIC CHIP 0.001uF 5%	50V	C2507	1-112-422-11	ELECT 470uF 20%	25V
C2191	1-163-275-11	CERAMIC CHIP 0.001uF 5%	50V	C2508	1-115-339-11	CERAMIC CHIP 0.1uF 10%	50V
C2192	1-163-251-11	CERAMIC CHIP 100PF 5%	50V	C2511	1-137-350-11	FILM 0.015uF 5%	100V
C2193	1-163-251-11	CERAMIC CHIP 100PF 5%	50V	C2512	1-137-350-11	FILM 0.015uF 5%	100V
C2194	1-163-275-11	CERAMIC CHIP 0.001uF 5%	50V	C2513	1-112-093-11	ELECT 2200uF 20%	25V
C2195	1-163-251-11	CERAMIC CHIP 100PF 5%	50V	C2514	1-112-093-11	ELECT 2200uF 20%	25V
C2196	1-163-251-11	CERAMIC CHIP 100PF 5%	50V	C2517	1-107-373-51	MYLAR 0.33uF 10%	200V
C2197	1-163-251-11	CERAMIC CHIP 100PF 5%	50V	C4001	1-115-339-11	CERAMIC CHIP 0.1uF 10%	50V
C2198	1-163-251-11	CERAMIC CHIP 100PF 5%	50V	C4002	1-115-339-11	CERAMIC CHIP 0.1uF 10%	50V
C2200	1-163-251-11	CERAMIC CHIP 100PF 5%	50V	C4003	1-115-339-11	CERAMIC CHIP 0.1uF 10%	50V
C2201	1-163-251-11	CERAMIC CHIP 100PF 5%	50V	C5090	1-163-251-11	CERAMIC CHIP 100PF 5%	50V
				C5091	1-163-251-11	CERAMIC CHIP 100PF 5%	50V
				C5092	1-163-251-11	CERAMIC CHIP 100PF 5%	50V
				C5093	1-137-395-91	MYLAR 0.022uF 5%	100V
				C5094	1-137-395-91	MYLAR 0.022uF 5%	100V
				C5095	1-163-251-11	CERAMIC CHIP 100PF 5%	50V

# STR-DA5300ES

**MAIN**

Ref. No.	Part No.	Description	Remark
C5096	1-163-251-11	CERAMIC CHIP 100PF 5%	50V
C5097	1-137-395-91	MYLAR 0.022uF 5%	100V
C6305	1-112-077-11	ELECT 1000uF 20%	6.3V
< CONNECTOR >			
CN1001	1-784-930-11	PIN, CONNECTOR 15P	
CN1004	1-691-775-11	PLUG (MICRO CONNECTOR) 13P	
CN1005	1-770-386-11	CONNECTOR, BOARD TO BOARD 20P	
CN1006	1-770-381-11	CONNECTOR, BOARD TO BOARD 10P	
CN1203	1-573-847-11	CONNECTOR, BOARD TO BOARD 15P	
CN1204	1-766-715-21	CONNECTOR, BOARD TO BOARD 10P	
CN1403	1-785-103-11	PIN, CONNECTOR (3.96mm PITCH) 5P	
CN1405	1-785-102-11	PIN, CONNECTOR (3.96mm PITCH) 4P	
CN1408	1-691-765-11	PLUG (MICRO CONNECTOR) 3P	
< DIODE >			
D1001	8-719-404-50	DIODE MA111-TX	
D1002	8-719-404-50	DIODE MA111-TX	
D1003	8-719-404-50	DIODE MA111-TX	
D1004	8-719-404-50	DIODE MA111-TX	
D1005	8-719-404-50	DIODE MA111-TX	
D1101	8-719-404-50	DIODE MA111-TX	
D1102	8-719-404-50	DIODE MA111-TX	
D1103	8-719-404-50	DIODE MA111-TX	
D1104	8-719-404-50	DIODE MA111-TX	
D1105	8-719-404-50	DIODE MA111-TX	
D1401	8-719-302-38	DIODE RBV-602-01	
D1403	8-719-404-50	DIODE MA111-TX	
D1405	8-719-053-18	DIODE 1SR154-400TE-25	
D1406	8-719-053-18	DIODE 1SR154-400TE-25	
D1407	8-719-053-18	DIODE 1SR154-400TE-25	
D1408	8-719-053-18	DIODE 1SR154-400TE-25	
D1411	8-719-072-05	DIODE RBV-602LF-A	
D1413	8-719-404-50	DIODE MA111-TX	
D1414	8-719-404-50	DIODE MA111-TX	
D2190	8-719-404-50	DIODE MA111-TX	
D2191	8-719-404-50	DIODE MA111-TX	
D2192	8-719-404-50	DIODE MA111-TX	
D2193	8-719-404-50	DIODE MA111-TX	
D2194	8-719-404-50	DIODE MA111-TX	
D2195	8-719-404-50	DIODE MA111-TX	
D2196	8-719-404-50	DIODE MA111-TX	
D2197	8-719-404-50	DIODE MA111-TX	
D4001	8-719-404-50	DIODE MA111-TX	
D4002	8-719-404-50	DIODE MA111-TX	
D4003	8-719-404-50	DIODE MA111-TX	
< FERRITE BEAD >			
FB1499	1-469-152-11	FERRITE, EMI (SMD) (2012)	
< FUSE HOLDER >			
FH1401	1-533-313-11	FUSE HOLDER	
FH1402	1-533-313-11	FUSE HOLDER	
FH1451	1-533-313-11	FUSE HOLDER	
FH1452	1-533-313-11	FUSE HOLDER	

Ref. No.	Part No.	Description	Remark
< IC >			
IC1236	6-705-469-01	IC BA50BC0FP-E2	
IC1499	6-705-067-01	IC MAX232DR	
IC2090	6-709-811-01	IC TC9274CNG-016	
IC2290	8-759-710-97	IC NJM4565M-D	
IC2300	8-759-710-97	IC NJM4565M-D	
IC2310	8-759-710-97	IC NJM4565M-D	
IC2311	8-759-710-97	IC NJM4565M-D	
IC2320	8-759-710-97	IC NJM4565M-D	
IC2390	6-709-809-01	IC TC9273CFG-012 (EL)	
IC2391	8-759-710-97	IC NJM4565M-D	
IC2392	8-759-710-97	IC NJM4565M-D	
IC2490	8-759-390-54	IC uPC2415AHF	
IC2491	8-759-392-19	IC uPC7915AHF	
IC2494	6-702-381-01	IC SI-3011ZD-TL	
< JACK/CONNECTOR >			
J1001	1-784-429-11	JACK, PIN 4P (TV IN, MULTI CHANNEL INPUT FRONT)	
J1002	1-821-676-11	JACK, PIN 6P (MULTI CHANNEL INPUT SURROUND/SUR BACK/CENTER/SUB WOOFER)	
J1101	1-794-981-11	JACK, PIN 4P (FRONT/SURROUND PRE OUT)	
J1102	1-766-398-21	JACK, PIN 4P (SUR BACK/CENTER/SUB WOOFER PRE OUT)	
J1499	1-815-737-11	CONNECTOR, (D) SUB 9P (RS-232C)	
< TRANSISTOR >			
Q1101	8-729-230-49	TRANSISTOR 2SC2712-YG	
Q1102	8-729-230-49	TRANSISTOR 2SC2712-YG	
Q1103	8-729-230-49	TRANSISTOR 2SC2712-YG	
Q1104	8-729-230-49	TRANSISTOR 2SC2712-YG	
Q1105	8-729-230-49	TRANSISTOR 2SC2712-YG	
Q1401	8-729-230-49	TRANSISTOR 2SC2712-YG	
Q1402	8-729-230-49	TRANSISTOR 2SC2712-YG	
Q4001	8-729-230-49	TRANSISTOR 2SC2712-YG	
Q4002	8-729-230-49	TRANSISTOR 2SC2712-YG	
Q4003	8-729-230-49	TRANSISTOR 2SC2712-YG	
< RESISTOR >			
R1498	1-216-627-11	METAL CHIP 100 0.5% 1/10W	
R1499	1-216-627-11	METAL CHIP 100 0.5% 1/10W	
R2084	1-208-526-41	RES-CHIP 47K 2% 1/10W	
R2085	1-208-526-41	RES-CHIP 47K 2% 1/10W	
△R2086	1-249-399-11	CARBON 33 5% 1/4W F	
△R2087	1-249-399-11	CARBON 33 5% 1/4W F	
R2088	1-208-437-41	RES-CHIP 1K 2% 1/10W	
R2089	1-208-437-41	RES-CHIP 1K 2% 1/10W	
R2090	1-216-699-11	METAL CHIP 100K 0.5% 1/10W	
R2091	1-216-699-11	METAL CHIP 100K 0.5% 1/10W	
R2092	1-216-699-11	METAL CHIP 100K 0.5% 1/10W	
R2093	1-216-699-11	METAL CHIP 100K 0.5% 1/10W	
R2094	1-216-699-11	METAL CHIP 100K 0.5% 1/10W	
R2095	1-216-699-11	METAL CHIP 100K 0.5% 1/10W	
R2096	1-216-699-11	METAL CHIP 100K 0.5% 1/10W	
R2097	1-216-699-11	METAL CHIP 100K 0.5% 1/10W	
R2099	1-208-437-41	RES-CHIP 1K 2% 1/10W	
R2100	1-208-437-41	RES-CHIP 1K 2% 1/10W	
R2101	1-208-437-41	RES-CHIP 1K 2% 1/10W	
R2102	1-208-437-41	RES-CHIP 1K 2% 1/10W	

Ref. No.	Part No.	Description	Remark	Ref. No.	Part No.	Description	Remark
R2103	1-208-437-41	RES-CHIP	1K 2% 1/10W	R2394	1-208-462-41	RES-CHIP	10K 2% 1/10W
R2104	1-208-437-41	RES-CHIP	1K 2% 1/10W	R2395	1-208-462-41	RES-CHIP	10K 2% 1/10W
R2105	1-208-437-41	RES-CHIP	1K 2% 1/10W	R2396	1-208-462-41	RES-CHIP	10K 2% 1/10W
R2106	1-208-437-41	RES-CHIP	1K 2% 1/10W	R2397	1-208-462-41	RES-CHIP	10K 2% 1/10W
R2107	1-208-437-41	RES-CHIP	1K 2% 1/10W	R2398	1-208-462-41	RES-CHIP	10K 2% 1/10W
R2190	1-208-437-41	RES-CHIP	1K 2% 1/10W	R2399	1-208-462-41	RES-CHIP	10K 2% 1/10W
R2191	1-208-437-41	RES-CHIP	1K 2% 1/10W	R2400	1-208-810-11	METAL CHIP	15K 0.5% 1/10W
R2192	1-208-437-41	RES-CHIP	1K 2% 1/10W	R2401	1-208-810-11	METAL CHIP	15K 0.5% 1/10W
R2193	1-208-437-41	RES-CHIP	1K 2% 1/10W	R2402	1-208-453-41	RES-CHIP	4.7K 2% 1/10W
R2194	1-208-437-41	RES-CHIP	1K 2% 1/10W	R2403	1-208-453-41	RES-CHIP	4.7K 2% 1/10W
R2195	1-208-437-41	RES-CHIP	1K 2% 1/10W	R2404	1-208-810-11	METAL CHIP	15K 0.5% 1/10W
R2196	1-208-437-41	RES-CHIP	1K 2% 1/10W	R2405	1-208-810-11	METAL CHIP	15K 0.5% 1/10W
R2197	1-208-437-41	RES-CHIP	1K 2% 1/10W	R2406	1-208-437-41	RES-CHIP	1K 2% 1/10W
R2198	1-208-453-41	RES-CHIP	4.7K 2% 1/10W	△R2490	1-249-399-11	CARBON	33 5% 1/4W F
R2199	1-208-453-41	RES-CHIP	4.7K 2% 1/10W	R2492	1-208-445-41	RES-CHIP	2.2K 2% 1/10W
R2200	1-208-453-41	RES-CHIP	4.7K 2% 1/10W	R2493	1-208-462-41	RES-CHIP	10K 2% 1/10W
R2201	1-208-453-41	RES-CHIP	4.7K 2% 1/10W	△R2494	1-249-393-11	CARBON	10 5% 1/4W F
R2202	1-208-462-41	RES-CHIP	10K 2% 1/10W	△R2496	1-215-867-00	METAL OXIDE	470 5% 1W F
R2203	1-208-462-41	RES-CHIP	10K 2% 1/10W	△R2497	1-215-867-00	METAL OXIDE	470 5% 1W F
R2204	1-208-462-41	RES-CHIP	10K 2% 1/10W	R2500	1-216-295-91	SHORT CHIP	0
R2205	1-208-462-41	RES-CHIP	10K 2% 1/10W	R2501	1-208-437-41	RES-CHIP	1K 2% 1/10W
△R2206	1-249-393-11	CARBON	10 5% 1/4W F	R2503	1-208-437-41	RES-CHIP	1K 2% 1/10W
△R2207	1-249-393-11	CARBON	10 5% 1/4W F	R2504	1-208-774-11	METAL CHIP	470 0.5% 1/10W
△R2208	1-249-393-11	CARBON	10 5% 1/4W F	R2505	1-208-462-41	RES-CHIP	10K 2% 1/10W
△R2209	1-249-393-11	CARBON	10 5% 1/4W F	△R2506	1-249-393-11	CARBON	10 5% 1/4W F
△R2210	1-249-397-11	CARBON	22 5% 1/4W F	△R2507	1-249-399-11	CARBON	33 5% 1/4W F
R2211	1-216-627-11	METAL CHIP	100 0.5% 1/10W	△R5090	1-249-393-11	CARBON	10 5% 1/4W F
R2212	1-216-627-11	METAL CHIP	100 0.5% 1/10W	△R5091	1-249-393-11	CARBON	10 5% 1/4W F
R2213	1-208-453-41	RES-CHIP	4.7K 2% 1/10W	△R5092	1-249-393-11	CARBON	10 5% 1/4W F
R2214	1-208-462-41	RES-CHIP	10K 2% 1/10W	R5095	1-208-445-41	RES-CHIP	2.2K 2% 1/10W
R2215	1-216-627-11	METAL CHIP	100 0.5% 1/10W	R5096	1-208-445-41	RES-CHIP	2.2K 2% 1/10W
R2216	1-216-627-11	METAL CHIP	100 0.5% 1/10W	R5097	1-208-445-41	RES-CHIP	2.2K 2% 1/10W
△R2217	1-249-409-11	CARBON	220 5% 1/4W F	R5098	1-208-462-41	RES-CHIP	10K 2% 1/10W
R2219	1-216-627-11	METAL CHIP	100 0.5% 1/10W	R5099	1-208-462-41	RES-CHIP	10K 2% 1/10W
R2220	1-216-627-11	METAL CHIP	100 0.5% 1/10W	R5100	1-208-462-41	RES-CHIP	10K 2% 1/10W
R2223	1-216-627-11	METAL CHIP	100 0.5% 1/10W	△R5101	1-249-393-11	CARBON	10 5% 1/4W F
R2224	1-216-627-11	METAL CHIP	100 0.5% 1/10W	△R5102	1-249-393-11	CARBON	10 5% 1/4W F
R2226	1-216-699-11	METAL CHIP	100K 0.5% 1/10W	△R5103	1-249-393-11	CARBON	10 5% 1/4W F
R2227	1-216-699-11	METAL CHIP	100K 0.5% 1/10W	R5104	1-208-445-41	RES-CHIP	2.2K 2% 1/10W
R2228	1-216-699-11	METAL CHIP	100K 0.5% 1/10W	R5105	1-208-445-41	RES-CHIP	2.2K 2% 1/10W
R2229	1-216-699-11	METAL CHIP	100K 0.5% 1/10W	R5106	1-208-445-41	RES-CHIP	2.2K 2% 1/10W
R2230	1-216-699-11	METAL CHIP	100K 0.5% 1/10W	R5107	1-208-445-41	RES-CHIP	2.2K 2% 1/10W
R2231	1-216-699-11	METAL CHIP	100K 0.5% 1/10W	R5108	1-208-445-41	RES-CHIP	2.2K 2% 1/10W
R2232	1-216-699-11	METAL CHIP	100K 0.5% 1/10W	< RELAY >			
R2233	1-216-699-11	METAL CHIP	100K 0.5% 1/10W	RY1101	1-755-486-11	RELAY	
R2290	1-216-699-11	METAL CHIP	100K 0.5% 1/10W	RY1102	1-755-486-11	RELAY	
R2300	1-216-699-11	METAL CHIP	100K 0.5% 1/10W	RY1103	1-755-486-11	RELAY	
R2310	1-216-699-11	METAL CHIP	100K 0.5% 1/10W	RY1104	1-755-486-11	RELAY	
R2320	1-216-699-11	METAL CHIP	100K 0.5% 1/10W	RY1105	1-755-486-11	RELAY	
R2340	1-216-699-11	METAL CHIP	100K 0.5% 1/10W	RY1401	1-755-486-11	RELAY	
R2350	1-216-699-11	METAL CHIP	100K 0.5% 1/10W	RY1402	1-755-031-11	RELAY	
R2360	1-216-699-11	METAL CHIP	100K 0.5% 1/10W	RY4001	1-515-920-11	RELAY (24V)	
R2370	1-216-699-11	METAL CHIP	100K 0.5% 1/10W	RY4002	1-515-920-11	RELAY (24V)	
△R2390	1-249-399-11	CARBON	33 5% 1/4W F	RY4003	1-515-920-11	RELAY (24V)	
△R2391	1-249-399-11	CARBON	33 5% 1/4W F				
R2392	1-208-462-41	RES-CHIP	10K 2% 1/10W				
R2393	1-208-462-41	RES-CHIP	10K 2% 1/10W				

# STR-DA5300ES

Ver. 1.1

**MAIN** **MAIN VOL** **MIC** **POWER AMPLIFIER**

Ref. No.	Part No.	Description	Remark
		< TERMINAL >	
TM4001	1-780-405-11	TERMINAL BOARD (SP) (2P) (CENTER SPEAKERS)	
TM4002	1-780-404-11	TERMINAL BOARD (SP) (8P) (FRONT A/B SPEAKERS)	
*****			
		MAIN VOL BOARD	
		*****	
		< CONNECTOR >	
* CN712	1-564-720-11	PIN, CONNECTOR (SMALL TYPE) 4P	
		< ROTARY ENCODER >	
S722	1-418-725-41	ENCODER, ROTARY (12 TYPE) (MASTER VOLUME)	
*****			
		MIC BOARD	
		*****	
		< CAPACITOR >	
C755	1-164-230-11	CERAMIC CHIP 220PF 5% 50V	
		< CONNECTOR >	
CN718	1-564-719-11	PIN, CONNECTOR (SMALL TYPE) 3P	
		< DIODE >	
D717	8-719-404-50	DIODE MA111-TX	
D718	8-719-404-50	DIODE MA111-TX	
		< JACK >	
J701	1-820-056-11	SMALL TYPE JACK (AUTO CAL MIC)	
		< LEAD >	
W701	1-775-377-21	LEAD (WITH CONNECTOR)	
*****			
	A-1252-362-A	POWER AMPLIFIER BOARD, COMPLETE (US, CND)	
	A-1252-571-A	POWER AMPLIFIER BOARD, COMPLETE (AEP, ECE, UK)	
		*****	
		< CAPACITOR >	
C1512	1-107-597-11	CERAMIC 22PF 5% 500V	
C1513	1-107-597-11	CERAMIC 22PF 5% 500V	
C1562	1-107-597-11	CERAMIC 22PF 5% 500V	
C1563	1-107-597-11	CERAMIC 22PF 5% 500V	
C1612	1-107-597-11	CERAMIC 22PF 5% 500V	
C1613	1-107-597-11	CERAMIC 22PF 5% 500V	
C1712	1-107-597-11	CERAMIC 22PF 5% 500V	
C1713	1-107-597-11	CERAMIC 22PF 5% 500V	
C1762	1-107-597-11	CERAMIC 22PF 5% 500V	
C1763	1-107-597-11	CERAMIC 22PF 5% 500V	
C1812	1-107-597-11	CERAMIC 22PF 5% 500V	
C1813	1-107-597-11	CERAMIC 22PF 5% 500V	
C1862	1-107-597-11	CERAMIC 22PF 5% 500V	

Ref. No.	Part No.	Description	Remark
C1863	1-107-597-11	CERAMIC 22PF 5% 500V	
C1903	1-112-857-21	ELECT 100uF 20% 100V (AEP, UK)	
C1903	1-128-563-11	ELECT 100uF 20% 100V (US, CND)	
C1904	1-112-857-21	ELECT 100uF 20% 100V (AEP, UK)	
C1904	1-128-563-11	ELECT 100uF 20% 100V (US, CND)	
		< CONNECTOR >	
CN1510	1-573-846-11	CONNECTOR, BOARD TO BOARD 14P	
CN1572	1-766-600-21	CONNECTOR, BOARD TO BOARD 7P	
CN1703	1-573-846-11	CONNECTOR, BOARD TO BOARD 14P	
CN1872	1-573-846-11	CONNECTOR, BOARD TO BOARD 14P	
CN1901	1-785-102-11	PIN, CONNECTOR (3.96mm PITCH) 4P	
CN1903	1-573-844-11	CONNECTOR, BOARD TO BOARD 12P	
CN1904	1-573-844-11	CONNECTOR, BOARD TO BOARD 12P	
		< COIL >	
L1501	1-420-872-52	COIL, AIR-CORE	
L1551	1-420-872-52	COIL, AIR-CORE	
L1601	1-420-872-52	COIL, AIR-CORE	
L1701	1-420-872-52	COIL, AIR-CORE	
L1751	1-420-872-52	COIL, AIR-CORE	
L1801	1-420-872-52	COIL, AIR-CORE	
L1851	1-420-872-52	COIL, AIR-CORE	
		< RESISTOR >	
△R1515	1-249-405-11	CARBON 100 5% 1/4W F	
△R1516	1-234-572-21	ENCAPSULATED COMPONENT 0.22 5W F	
△R1517	1-249-405-11	CARBON 100 5% 1/4W F	
△R1518	1-249-393-11	CARBON 10 5% 1/4W F	
△R1565	1-249-405-11	CARBON 100 5% 1/4W F	
△R1566	1-234-572-21	ENCAPSULATED COMPONENT 0.22 5W F	
△R1567	1-249-405-11	CARBON 100 5% 1/4W F	
△R1568	1-249-393-11	CARBON 10 5% 1/4W F	
△R1615	1-249-405-11	CARBON 100 5% 1/4W F	
△R1616	1-234-572-21	ENCAPSULATED COMPONENT 0.22 5W F	
△R1617	1-249-405-11	CARBON 100 5% 1/4W F	
△R1618	1-249-393-11	CARBON 10 5% 1/4W F	
△R1715	1-249-405-11	CARBON 100 5% 1/4W F	
△R1716	1-234-572-21	ENCAPSULATED COMPONENT 0.22 5W F	
△R1717	1-249-405-11	CARBON 100 5% 1/4W F	
△R1718	1-249-393-11	CARBON 10 5% 1/4W F	
△R1765	1-249-405-11	CARBON 100 5% 1/4W F	
△R1766	1-234-572-21	ENCAPSULATED COMPONENT 0.22 5W F	
△R1767	1-249-405-11	CARBON 100 5% 1/4W F	
△R1768	1-249-393-11	CARBON 10 5% 1/4W F	
△R1815	1-249-405-11	CARBON 100 5% 1/4W F	
△R1816	1-234-572-21	ENCAPSULATED COMPONENT 0.22 5W F	
△R1817	1-249-405-11	CARBON 100 5% 1/4W F	
△R1818	1-249-393-11	CARBON 10 5% 1/4W F	

## POWER AMPLIFIER

## PROTECTOR (F-C)

## PROTECTOR (SB)

Ref. No.	Part No.	Description	Remark	Ref. No.	Part No.	Description	Remark
△ R1865	1-249-405-11	CARBON	100 5% 1/4W F	R1533	1-247-871-91	CARBON	47K 5% 1/4W
△ R1866	1-234-572-21	ENCAPSULATED COMPONENT	0.22 5W F	R1534	1-247-863-91	CARBON	22K 5% 1/4W
△ R1867	1-249-405-11	CARBON	100 5% 1/4W F	R1535	1-249-439-11	CARBON	68K 5% 1/4W
△ R1868	1-249-393-11	CARBON	10 5% 1/4W F	R1536	1-247-887-00	CARBON	220K 5% 1/4W
*****				R1575	1-247-847-91	CARBON	4.7K 5% 1/4W
A-1252-367-A PROTECTOR (F-C) BOARD, COMPLETE				△ R1576	1-240-855-91	CARBON	6.2K 5% 1/4W F
*****				R1577	1-249-420-11	CARBON	1.8K 5% 1/4W
< CAPACITOR >				R1578	1-249-431-11	CARBON	15K 5% 1/4W
C1522	1-128-813-11	CERAMIC	220PF 5% 50V	R1579	1-247-862-11	CARBON	20K 5% 1/4W
C1523	1-136-153-00	MYLAR	0.01uF 5% 50V	R1580	1-249-419-11	CARBON	1.5K 5% 1/4W
C1524	1-126-964-11	ELECT	10uF 20% 50V	R1581	1-247-871-91	CARBON	47K 5% 1/4W
C1572	1-128-813-11	CERAMIC	220PF 5% 50V	R1582	1-249-431-11	CARBON	15K 5% 1/4W
C1573	1-136-153-00	MYLAR	0.01uF 5% 50V	R1583	1-247-871-91	CARBON	47K 5% 1/4W
C1574	1-126-964-11	ELECT	10uF 20% 50V	R1584	1-247-863-91	CARBON	22K 5% 1/4W
C1622	1-128-813-11	CERAMIC	220PF 5% 50V	R1585	1-249-439-11	CARBON	68K 5% 1/4W
C1623	1-136-153-00	MYLAR	0.01uF 5% 50V	R1586	1-247-887-00	CARBON	220K 5% 1/4W
C1624	1-126-964-11	ELECT	10uF 20% 50V	R1625	1-247-847-91	CARBON	4.7K 5% 1/4W
< CONNECTOR >				△ R1626	1-240-855-91	CARBON	6.2K 5% 1/4W F
CN1501	1-766-715-21	CONNECTOR, BOARD TO BOARD	10P	R1627	1-249-420-11	CARBON	1.8K 5% 1/4W
* CN1503	1-774-876-21	CONNECTOR, BOARD TO BOARD	8P	R1628	1-249-431-11	CARBON	15K 5% 1/4W
* CN1521	1-573-828-11	CONNECTOR, BOARD TO BOARD	14P	R1629	1-247-862-11	CARBON	20K 5% 1/4W
* CN1561	1-564-720-11	PIN, CONNECTOR (SMALL TYPE)	4P	R1630	1-249-419-11	CARBON	1.5K 5% 1/4W
CN1571	1-766-724-11	CONNECTOR, BOARD TO BOARD	7P	R1631	1-247-871-91	CARBON	47K 5% 1/4W
* CN1611	1-564-720-11	PIN, CONNECTOR (SMALL TYPE)	4P	R1632	1-249-431-11	CARBON	15K 5% 1/4W
< DIODE >				R1633	1-247-871-91	CARBON	47K 5% 1/4W
D1521	8-719-991-33	DIODE	1SS133T-77	R1634	1-247-863-91	CARBON	22K 5% 1/4W
D1522	8-719-991-33	DIODE	1SS133T-77	R1635	1-249-439-11	CARBON	68K 5% 1/4W
D1571	8-719-991-33	DIODE	1SS133T-77	R1636	1-247-887-00	CARBON	220K 5% 1/4W
D1572	8-719-991-33	DIODE	1SS133T-77	*****			
D1621	8-719-991-33	DIODE	1SS133T-77	A-1252-369-A PROTECTOR (SB) BOARD, COMPLETE			
D1622	8-719-991-33	DIODE	1SS133T-77	*****			
< TRANSISTOR >				< CAPACITOR >			
Q1522	8-729-042-09	TRANSISTOR	2SA1038S-RSE-TP	C1822	1-128-813-11	CERAMIC	220PF 5% 50V
Q1523	8-729-042-09	TRANSISTOR	2SA1038S-RSE-TP	C1823	1-136-153-00	MYLAR	0.01uF 5% 50V
Q1524	8-729-119-78	TRANSISTOR	2SC2785-HFE	C1824	1-126-964-11	ELECT	10uF 20% 50V
Q1572	8-729-042-09	TRANSISTOR	2SA1038S-RSE-TP	C1872	1-128-813-11	CERAMIC	220PF 5% 50V
Q1573	8-729-042-09	TRANSISTOR	2SA1038S-RSE-TP	C1873	1-136-153-00	MYLAR	0.01uF 5% 50V
Q1574	8-729-119-78	TRANSISTOR	2SC2785-HFE	C1874	1-126-964-11	ELECT	10uF 20% 50V
Q1622	8-729-042-09	TRANSISTOR	2SA1038S-RSE-TP	< CONNECTOR >			
Q1623	8-729-042-09	TRANSISTOR	2SA1038S-RSE-TP	CN1801	1-573-846-11	CONNECTOR, BOARD TO BOARD	14P
Q1624	8-729-119-78	TRANSISTOR	2SC2785-HFE	* CN1861	1-564-720-11	PIN, CONNECTOR (SMALL TYPE)	4P
< RESISTOR >				* CN1871	1-573-828-11	CONNECTOR, BOARD TO BOARD	14P
R1525	1-247-874-91	CARBON	4.7K 5% 1/4W	< DIODE >			
△ R1526	1-240-855-91	CARBON	6.2K 5% 1/4W F	D1821	8-719-991-33	DIODE	1SS133T-77
R1527	1-249-420-11	CARBON	1.8K 5% 1/4W	D1822	8-719-991-33	DIODE	1SS133T-77
R1528	1-249-431-11	CARBON	15K 5% 1/4W	D1871	8-719-991-33	DIODE	1SS133T-77
R1529	1-247-862-11	CARBON	20K 5% 1/4W	D1872	8-719-991-33	DIODE	1SS133T-77
R1530	1-249-419-11	CARBON	1.5K 5% 1/4W	< TRANSISTOR >			
R1531	1-247-871-91	CARBON	47K 5% 1/4W	Q1822	8-729-042-09	TRANSISTOR	2SA1038S-RSE-TP
R1532	1-249-431-11	CARBON	15K 5% 1/4W	Q1823	8-729-042-09	TRANSISTOR	2SA1038S-RSE-TP
				Q1824	8-729-119-78	TRANSISTOR	2SC2785-HFE
				Q1872	8-729-042-09	TRANSISTOR	2SA1038S-RSE-TP
				Q1873	8-729-042-09	TRANSISTOR	2SA1038S-RSE-TP

# STR-DA5300ES

**PROTECTOR (SB)**   **PROTECTOR (SURRE)**   **S-VIDEO**

Ref. No.	Part No.	Description	Remark
Q1874	8-729-119-78	TRANSISTOR	2SC2785-HFE
< RESISTOR >			
R1825	1-247-847-91	CARBON	4.7K 5% 1/4W
△R1826	1-240-855-91	CARBON	6.2K 5% 1/4W F
R1827	1-249-420-11	CARBON	1.8K 5% 1/4W
R1828	1-249-431-11	CARBON	15K 5% 1/4W
R1829	1-247-862-11	CARBON	20K 5% 1/4W
R1830	1-249-419-11	CARBON	1.5K 5% 1/4W
R1831	1-247-871-91	CARBON	47K 5% 1/4W
R1832	1-249-431-11	CARBON	15K 5% 1/4W
R1833	1-247-871-91	CARBON	47K 5% 1/4W
R1834	1-247-863-91	CARBON	22K 5% 1/4W
R1835	1-249-439-11	CARBON	68K 5% 1/4W
R1836	1-247-887-00	CARBON	220K 5% 1/4W
R1875	1-247-847-91	CARBON	4.7K 5% 1/4W
△R1876	1-240-855-91	CARBON	6.2K 5% 1/4W F
R1877	1-249-420-11	CARBON	1.8K 5% 1/4W
R1878	1-249-431-11	CARBON	15K 5% 1/4W
R1879	1-247-862-11	CARBON	20K 5% 1/4W
R1880	1-249-419-11	CARBON	1.5K 5% 1/4W
R1881	1-247-871-91	CARBON	47K 5% 1/4W
R1882	1-249-431-11	CARBON	15K 5% 1/4W
R1883	1-247-871-91	CARBON	47K 5% 1/4W
R1884	1-247-863-91	CARBON	22K 5% 1/4W
R1885	1-249-439-11	CARBON	68K 5% 1/4W
R1886	1-247-887-00	CARBON	220K 5% 1/4W
*****			
A-1252-368-A    PROTECTOR (SURRE) BOARD, COMPLETE			
*****			
< CAPACITOR >			
C1722	1-128-813-11	CERAMIC	220PF 5% 50V
C1723	1-136-153-00	MYLAR	0.01uF 5% 50V
C1724	1-126-964-11	ELECT	10uF 20% 50V
C1772	1-128-813-11	CERAMIC	220PF 5% 50V
C1773	1-136-153-00	MYLAR	0.01uF 5% 50V
C1774	1-126-964-11	ELECT	10uF 20% 50V
< CONNECTOR >			
* CN1701	1-573-828-11	CONNECTOR, BOARD TO BOARD 14P	
CN1704	1-573-846-11	CONNECTOR, BOARD TO BOARD 14P	
* CN1761	1-564-720-11	PIN, CONNECTOR (SMALL TYPE) 4P	
< DIODE >			
D1721	8-719-991-33	DIODE	1SS133T-77
D1722	8-719-991-33	DIODE	1SS133T-77
D1771	8-719-991-33	DIODE	1SS133T-77
D1772	8-719-991-33	DIODE	1SS133T-77
< TRANSISTOR >			
Q1722	8-729-042-09	TRANSISTOR	2SA1038S-RSE-TP
Q1723	8-729-042-09	TRANSISTOR	2SA1038S-RSE-TP
Q1724	8-729-119-78	TRANSISTOR	2SC2785-HFE
Q1772	8-729-042-09	TRANSISTOR	2SA1038S-RSE-TP
Q1773	8-729-042-09	TRANSISTOR	2SA1038S-RSE-TP

Ref. No.	Part No.	Description	Remark
Q1774	8-729-119-78	TRANSISTOR	2SC2785-HFE
< RESISTOR >			
R1725	1-247-847-91	CARBON	4.7K 5% 1/4W
△R1726	1-240-855-91	CARBON	6.2K 5% 1/4W F
R1727	1-249-420-11	CARBON	1.8K 5% 1/4W
R1728	1-249-431-11	CARBON	15K 5% 1/4W
R1729	1-247-862-11	CARBON	20K 5% 1/4W
R1730	1-249-419-11	CARBON	1.5K 5% 1/4W
R1731	1-247-871-91	CARBON	47K 5% 1/4W
R1732	1-249-431-11	CARBON	15K 5% 1/4W
R1733	1-247-871-91	CARBON	47K 5% 1/4W
R1734	1-247-863-91	CARBON	22K 5% 1/4W
R1735	1-249-439-11	CARBON	68K 5% 1/4W
R1736	1-247-887-00	CARBON	220K 5% 1/4W
R1775	1-247-847-91	CARBON	4.7K 5% 1/4W
△R1776	1-240-855-91	CARBON	6.2K 5% 1/4W F
R1777	1-249-420-11	CARBON	1.8K 5% 1/4W
R1778	1-249-431-11	CARBON	15K 5% 1/4W
R1779	1-247-862-11	CARBON	20K 5% 1/4W
R1780	1-249-419-11	CARBON	1.5K 5% 1/4W
R1781	1-247-871-91	CARBON	47K 5% 1/4W
R1782	1-249-431-11	CARBON	15K 5% 1/4W
R1783	1-247-871-91	CARBON	47K 5% 1/4W
R1784	1-247-863-91	CARBON	22K 5% 1/4W
R1785	1-249-439-11	CARBON	68K 5% 1/4W
R1786	1-247-887-00	CARBON	220K 5% 1/4W
*****			
A-1252-348-A    S-VIDEO BOARD, COMPLETE			
*****			
< CAPACITOR >			
C6902	1-162-923-11	CERAMIC CHIP	47PF 5% 50V
C6904	1-162-923-11	CERAMIC CHIP	47PF 5% 50V
C6906	1-126-964-11	ELECT	10uF 20% 50V
C6907	1-100-566-91	CERAMIC CHIP	0.1uF 10% 25V
C6908	1-126-964-11	ELECT	10uF 20% 50V
C6909	1-100-566-91	CERAMIC CHIP	0.1uF 10% 25V
C6910	1-126-964-11	ELECT	10uF 20% 50V
C6911	1-100-566-91	CERAMIC CHIP	0.1uF 10% 25V
C6912	1-126-964-11	ELECT	10uF 20% 50V
C6913	1-100-566-91	CERAMIC CHIP	0.1uF 10% 25V
C6915	1-100-566-91	CERAMIC CHIP	0.1uF 10% 25V
C6916	1-126-964-11	ELECT	10uF 20% 50V
C6917	1-162-966-11	CERAMIC CHIP	0.0022uF 10% 50V
C6918	1-162-966-11	CERAMIC CHIP	0.0022uF 10% 50V
C6919	1-162-966-11	CERAMIC CHIP	0.0022uF 10% 50V
C6920	1-162-966-11	CERAMIC CHIP	0.0022uF 10% 50V
C6921	1-100-566-91	CERAMIC CHIP	0.1uF 10% 25V
C6922	1-100-566-91	CERAMIC CHIP	0.1uF 10% 25V
C6923	1-126-947-11	ELECT	47uF 20% 35V
C6924	1-126-947-11	ELECT	47uF 20% 35V
C6925	1-162-923-11	CERAMIC CHIP	47PF 5% 50V
C6926	1-162-923-11	CERAMIC CHIP	47PF 5% 50V
< CONNECTOR >			
CN6903	1-779-289-11	CONNECTOR, FFC (LIF (NON-ZIF)) 21P	

S-VIDEO	SP-TM	SPSW	TEMPERATURE DETECTION
---------	-------	------	-----------------------

Ref. No.	Part No.	Description	Remark	Ref. No.	Part No.	Description	Remark				
CN6904	1-779-977-11	PIN, CONNECTOR 6P				< CONNECTOR >					
		< FERRITE BEAD >									
FB6901	1-469-152-11	FERRITE, EMI (SMD) (2012)		CX4101	1-785-105-11	PIN, CONNECTOR (3.96mm PITCH) 7P					
FB6902	1-469-152-11	FERRITE, EMI (SMD) (2012)		CX4102	1-785-104-11	PIN, CONNECTOR (3.96mm PITCH) 6P					
		< IC >		CX4103	1-784-921-11	PIN, CONNECTOR 4P					
IC6901	6-704-199-01	IC NJM2595M-TE2		CX4104	1-785-101-11	PIN, CONNECTOR (3.96mm PITCH) 3P					
IC6902	6-704-199-01	IC NJM2595M-TE2				< DIODE >					
		< JACK >		D4101	6-501-193-01	DIODE 1SS355WTE-17					
J6901	1-764-676-11	CONNECTOR (ROUND TYPE) (SAT/CATV/DVD/ BD S VIDEO IN)		D4102	6-501-193-01	DIODE 1SS355WTE-17					
J6902	1-764-676-11	CONNECTOR (ROUND TYPE) (VIDEO 2 S VIDEO IN, VIDEO 1 S VIDEO OUT)				< TRANSISTOR >					
J6903	1-764-676-11	CONNECTOR (ROUND TYPE) (VIDEO 1 S VIDEO IN, MONITOR S VIDEO OUT)		Q4101	8-729-230-49	TRANSISTOR 2SC2712-YG					
J6904	1-774-227-11	JACK, PIN 1P (EXT VIDEO IN)		Q4102	8-729-230-49	TRANSISTOR 2SC2712-YG					
		< RESISTOR >				< RESISTOR >					
R6901	1-211-990-11	METAL CHIP	75	0.5%	1/10W	R4101	1-208-445-41	RES-CHIP	2.2K	2%	1/10W
R6902	1-211-990-11	METAL CHIP	75	0.5%	1/10W	R4102	1-208-445-41	RES-CHIP	2.2K	2%	1/10W
R6903	1-211-990-11	METAL CHIP	75	0.5%	1/10W	△R4103	1-249-393-11	CARBON	10	5%	1/4W F
R6904	1-211-990-11	METAL CHIP	75	0.5%	1/10W	R4104	1-208-462-41	RES-CHIP	10K	2%	1/10W
R6906	1-211-990-11	METAL CHIP	75	0.5%	1/10W	△R4105	1-249-393-11	CARBON	10	5%	1/4W F
R6907	1-211-990-11	METAL CHIP	75	0.5%	1/10W	R4106	1-208-462-41	RES-CHIP	10K	2%	1/10W
R6908	1-211-990-11	METAL CHIP	75	0.5%	1/10W	△R4107	1-249-393-11	CARBON	10	5%	1/4W F
R6909	1-211-990-11	METAL CHIP	75	0.5%	1/10W	△R4108	1-249-393-11	CARBON	10	5%	1/4W F
R6910	1-211-990-11	METAL CHIP	75	0.5%	1/10W	△R4109	1-249-393-11	CARBON	10	5%	1/4W F
R6911	1-216-864-11	SHORT CHIP	0			△R4110	1-249-393-11	CARBON	10	5%	1/4W F
R6912	1-216-864-11	SHORT CHIP	0					< RELAY >			
R6915	1-211-990-11	METAL CHIP	75	0.5%	1/10W	RY4101	1-515-920-11	RELAY (24V)			
R6916	1-211-990-11	METAL CHIP	75	0.5%	1/10W	RY4102	1-515-920-11	RELAY (24V)			
R6922	1-216-845-11	METAL CHIP	100K	5%	1/10W			< TERMINAL >			
R6923	1-216-845-11	METAL CHIP	100K	5%	1/10W	TM4101	1-780-404-11	TERMINAL BOARD (SP) (8P) (SURROUND/ SURROUND BACK (ZONE 2) SPEAKERS)			
R6924	1-216-845-11	METAL CHIP	100K	5%	1/10W			*****			
R6925	1-216-845-11	METAL CHIP	100K	5%	1/10W			A-1252-357-A	SPSW BOARD, COMPLETE		
R6926	1-216-845-11	METAL CHIP	100K	5%	1/10W				*****		
R6927	1-216-864-11	SHORT CHIP	0						< DIODE >		
R6928	1-216-864-11	SHORT CHIP	0								
R6929	1-211-990-11	METAL CHIP	75	0.5%	1/10W	D711	8-719-404-50	DIODE MA111-TX			
R6930	1-211-990-11	METAL CHIP	75	0.5%	1/10W	D712	8-719-404-50	DIODE MA111-TX			
R6931	1-211-990-11	METAL CHIP	75	0.5%	1/10W			< RESISTOR >			
R6932	1-211-990-11	METAL CHIP	75	0.5%	1/10W						
		*****				R780	1-216-025-11	RES-CHIP	100	5%	1/10W
		A-1252-308-A	SP-TM BOARD, COMPLETE			R781	1-216-025-11	RES-CHIP	100	5%	1/10W
			*****			R782	1-216-089-91	RES-CHIP	47K	5%	1/10W
			< CAPACITOR >			R783	1-216-089-91	RES-CHIP	47K	5%	1/10W
C4101	1-137-395-91	MYLAR	0.022uF	5%	100V			< SWITCH >			
C4102	1-137-395-91	MYLAR	0.022uF	5%	100V	S724	1-762-684-11	SWITCH, ROTARY (SPEAKERS)			
C4103	1-137-395-91	MYLAR	0.022uF	5%	100V			*****			
C4104	1-137-395-91	MYLAR	0.022uF	5%	100V			TEMPERATURE DETECTION BOARD			
C4105	1-163-251-11	CERAMIC CHIP	100PF	5%	50V			*****			
C4106	1-163-251-11	CERAMIC CHIP	100PF	5%	50V			< CAPACITOR >			
C4107	1-163-251-11	CERAMIC CHIP	100PF	5%	50V	C1909	1-127-888-11	CERAMIC	0.1uF	10%	50V
C4108	1-163-251-11	CERAMIC CHIP	100PF	5%	50V	C1910	1-135-800-11	CERAMIC	1uF		50V

# STR-DA5300ES

Ver. 1.1

**TEMPERATURE DETECTION**    **VIDEO3**

Ref. No.	Part No.	Description	Remark
C1913	1-135-800-11	CERAMIC 1uF	50V
< DIODE >			
D1906	8-719-109-93	DIODE RD6.2ESB2	
< IC >			
IC1903	6-710-072-01	IC LM61CIZ/LFT2	
IC1905	6-710-072-01	IC LM61CIZ/LFT2	
< RESISTOR >			
R1928	1-249-414-11	CARBON 560 5% 1/4W	
*****			
VIDEO3 BOARD *****			
< CAPACITOR >			
C757	1-104-665-11	ELECT 100uF 20% 25V	
C758	1-104-665-11	ELECT 100uF 20% 25V	
C759	1-163-025-11	CERAMIC CHIP 0.001uF 50V	
C760	1-163-025-11	CERAMIC CHIP 0.001uF 50V	
C761	1-165-319-11	CERAMIC CHIP 0.1uF 50V	
C762	1-163-021-91	CERAMIC CHIP 0.01uF 10% 50V	
C763	1-163-021-91	CERAMIC CHIP 0.01uF 10% 50V	
C764	1-165-319-11	CERAMIC CHIP 0.1uF 50V	
C765	1-163-139-00	CERAMIC CHIP 820PF 5% 50V	
C766	1-163-139-00	CERAMIC CHIP 820PF 5% 50V	
C767	1-163-251-11	CERAMIC CHIP 100PF 5% 50V	
C768	1-163-259-91	CERAMIC CHIP 220PF 5% 50V	
C769	1-163-259-91	CERAMIC CHIP 220PF 5% 50V	
< TERMINAL/CONNECTOR >			
CN720	1-784-808-11	TERMINAL, S (VIDEO 3 IN/PORTABLE AV IN S VIDEO)	
CN721	1-784-923-11	PIN, CONNECTOR 7P	
CN723	1-779-978-11	PIN, CONNECTOR 3P	
CN724	1-779-977-11	PIN, CONNECTOR 6P	
CN725	1-784-922-11	PIN, CONNECTOR 5P	
< DIODE >			
D713	8-719-404-50	DIODE MA111-TX	
D714	8-719-404-50	DIODE MA111-TX	
D715	8-719-404-50	DIODE MA111-TX	
D716	8-719-404-50	DIODE MA111-TX	
< EARTH TERMINAL >			
* ET702	1-537-738-21	TERMINAL, EARTH	
* ET703	1-537-738-21	TERMINAL, EARTH	
< IC >			
IC706	8-759-710-97	IC NJM4565M-D	
IC707	6-600-219-01	IC GP1FM313RZ0F (VIDEO 3 IN/PORTABLE AV IN DIGITAL (OPT))	
< JACK >			
J702	1-815-313-11	JACK (PHONES)	
J703	1-770-571-11	JACK BLOCK, PIN (L TYPE) 3P (VIDEO 3 IN/PORTABLE AV IN AUDIO/VIDEO)	

Ref. No.	Part No.	Description	Remark
< RESISTOR >			
R762	1-216-025-11	RES-CHIP 100 5% 1/10W	
R763	1-216-049-11	RES-CHIP 1K 5% 1/10W	
R764	1-216-049-11	RES-CHIP 1K 5% 1/10W	
R765	1-211-990-11	METAL CHIP 75 0.5% 1/10W	
R766	1-211-990-11	METAL CHIP 75 0.5% 1/10W	
R767	1-211-990-11	METAL CHIP 75 0.5% 1/10W	
R768	1-216-089-91	RES-CHIP 47K 5% 1/10W	
R769	1-216-089-91	RES-CHIP 47K 5% 1/10W	
R770	1-216-295-91	SHORT CHIP 0	
R774	1-216-295-91	SHORT CHIP 0	
R775	1-216-295-91	SHORT CHIP 0	
R776	1-216-295-91	SHORT CHIP 0	
R785	1-216-295-91	SHORT CHIP 0	
R786	1-216-295-91	SHORT CHIP 0	
*****			
MISCELLANEOUS *****			
2	1-500-386-11	FILTER, CLAMP (FERRITE CORE) (US, CND)	
52	1-693-728-11	TUNER (FM/AM) (US, CND)	
52	1-693-737-11	TUNER (FM/AM) (AEP, ECE, UK)	
155	1-543-793-41	FILTER, CLAMP (FERRITE CORE) (US, CND)	
* 163	1-543-830-11	CLAMP, SLEEVE FERRITE (US, CND)	
253	1-828-367-51	WIRE (FLAT TYPE) (21 CORE)	
301	1-823-669-51	WIRE (FLAT TYPE) (11 CORE) (AEP, ECE, UK)	
301	1-828-956-51	WIRE (FLAT TYPE) (9 CORE) (US, CND)	
403	1-500-386-11	FILTER, CLAMP (FERRITE CORE)	
△ F001	1-532-504-33	FUSE (T4AL/250V) (AEP, ECE, UK)	
△ F001	1-533-311-12	FUSE, GLASS CYLINDRICAL (DIA.5) (8A/125V) (US, CND)	
△ F1403	1-532-504-33	FUSE (T4AL/250V)	
△ F1404	1-532-504-33	FUSE (T4AL/250V)	
△ F1405	1-532-506-33	FUSE (T6.3AL/250V)	
△ J01	1-821-082-21	INLET, AC 2P (~ AC IN)	
Q1507	8-729-051-92	TRANSISTOR 2SD2560	
Q1508	8-729-051-93	TRANSISTOR 2SB1647	
Q1521	8-729-026-08	TRANSISTOR 2SC4495	
Q1557	8-729-051-92	TRANSISTOR 2SD2560	
Q1558	8-729-051-93	TRANSISTOR 2SB1647	
Q1571	8-729-026-08	TRANSISTOR 2SC4495	
Q1607	8-729-051-92	TRANSISTOR 2SD2560	
Q1608	8-729-051-93	TRANSISTOR 2SB1647	
Q1621	8-729-026-08	TRANSISTOR 2SC4495	
Q1707	8-729-051-92	TRANSISTOR 2SD2560	
Q1708	8-729-051-93	TRANSISTOR 2SB1647	
Q1721	8-729-026-08	TRANSISTOR 2SC4495	
Q1757	8-729-051-92	TRANSISTOR 2SD2560	
Q1758	8-729-051-93	TRANSISTOR 2SB1647	
Q1771	8-729-026-08	TRANSISTOR 2SC4495	
Q1807	8-729-051-92	TRANSISTOR 2SD2560	
Q1808	8-729-051-93	TRANSISTOR 2SB1647	
Q1821	8-729-026-08	TRANSISTOR 2SC4495	
Q1857	8-729-051-92	TRANSISTOR 2SD2560	
Q1858	8-729-051-93	TRANSISTOR 2SB1647	
Q1871	8-729-026-08	TRANSISTOR 2SC4495	
△ T001	1-445-238-11	TRANSFORMER, POWER (US, CND)	



Ref. No.	Part No.	Description	Remark
△ T001	1-445-239-11	TRANSFORMER, POWER (AEP, ECE, UK)	

\*\*\*\*\*

ACCESSORIES

\*\*\*\*\*

	1-480-198-11	REMOTE COMMANDER (RM-AAL008) (MAIN) (US, CND)	
	1-480-199-11	REMOTE COMMANDER (RM-AAL009) (MAIN) (AEP, ECE, UK)	
	1-480-205-11	COMMANDER, STANDARD (SUB) (RM-AAU016)	
	1-501-374-12	ANTENNA, LOOP (AM loop antenna (aerial))	
	1-501-594-14	ANTENNA (FM) (FM wire antenna (aerial)) (AEP, ECE, UK)	
	1-542-644-21	MEASUREMENT MIC (STEREO) (Optimizer microphone: EMC-AC1)	
	1-793-184-23	CONNECTOR (F TYPE ADAPTOR) (FM wire antenna (aerial)) (US, CND)	
△	1-824-964-12	CORD, POWER (AC power cord (mains lead)) (US, CND)	
△	1-831-474-11	CORD, POWER (AC power cord (mains lead)) (AEP, ECE)	
△	1-833-794-11	CORD, POWER (AC power cord (mains lead)) (UK)	
	3-209-635-11	MANUAL, INSTRUCTION (ENGLISH) (AEP, ECE, UK)	
	3-209-635-21	MANUAL, INSTRUCTION (FRENCH, SPANISH) (AEP, ECE)	
	3-209-635-31	MANUAL, INSTRUCTION (GERMAN, DUTCH, ITALIAN) (AEP, ECE)	
	3-209-635-41	MANUAL, INSTRUCTION (SWEDISH, POLISH) (AEP, ECE)	
	3-209-635-51	MANUAL, INSTRUCTION (DANISH, FINNISH) (AEP, ECE)	
	3-209-635-61	MANUAL, INSTRUCTION (PORTUGUESE) (AEP, ECE)	
	3-209-635-71	MANUAL, INSTRUCTION (RUSSIAN) (ECE)	
	3-209-659-11	MANUAL, INSTRUCTION (GREEK) (AEP, ECE)	
	3-209-659-21	MANUAL, INSTRUCTION (HUNGARIAN, CZECH) (AEP, ECE)	
	3-209-659-31	MANUAL, INSTRUCTION (TURKISH) (AEP, ECE)	
	3-209-659-41	MANUAL, INSTRUCTION (SLOVAKIAN) (AEP, ECE)	
	3-209-668-11	MANUAL, INSTRUCTION (ENGLISH, FRENCH) (US, CND)	

MEMO

# STR-DA5300ES

SONY®

## SERVICE MANUAL

Ver. 1.1 2007.10

US Model  
Canadian Model  
AEP Model  
UK Model

### SUPPLEMENT-1

File this supplement with the service manual.

**Subject: Change of CONTROL board  
(Combined Suffix-13/-14)  
Change of DIGITAL board  
(Combined Suffix-12/-13/-14)  
Change of DSP board (Combined Suffix-12)**

In this set, CONTROL, DIGITAL and DSP boards have been changed in the midway of production.  
Printed wiring board, schematic diagram and electrical parts list of new type are described in this supplement-1.  
Refer to original service manual for other information.

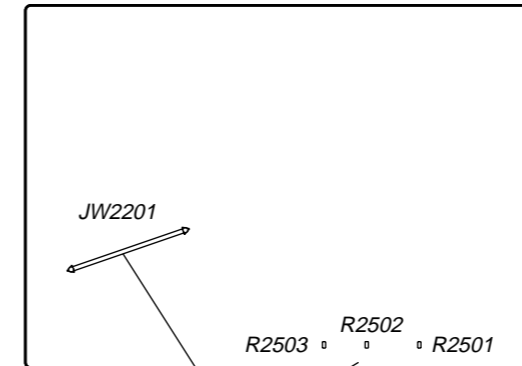
#### TABLE OF CONTENTS

<b>1. NEW/FORMER DISCRIMINATION</b> .....	1	2-11. Schematic Diagram – DSP Board (1/4) – .....	13
<b>2. DIAGRAMS</b>		2-12. Schematic Diagram – DSP Board (2/4) – .....	14
2-1. Printed Wiring Board – DIGITAL Board (Component Side) (Suffix-12/-13) – .....	3	2-13. Schematic Diagram – DSP Board (3/4) – .....	15
2-2. Printed Wiring Board – DIGITAL Board (Conductor Side) (Suffix-12/-13) – .....	4	2-14. Schematic Diagram – DSP Board (4/4) – .....	16
2-3. Printed Wiring Board – DIGITAL Board (Component Side) (Suffix-14) – .....	5	2-15. Printed Wiring Board – CONTROL Board (Component Side) (Suffix-13) – .....	17
2-4. Printed Wiring Board – DIGITAL Board (Conductor Side) (Suffix-14) – .....	6	2-16. Printed Wiring Board – CONTROL Board (Conductor Side) (Suffix-13) – .....	18
2-5. Schematic Diagram – DIGITAL Board (1/4) – .....	7	2-17. Printed Wiring Board – CONTROL Board (Component Side) (Suffix-14) – .....	19
2-6. Schematic Diagram – DIGITAL Board (2/4) – .....	8	2-18. Printed Wiring Board – CONTROL Board (Conductor Side) (Suffix-14) – .....	20
2-7. Schematic Diagram – DIGITAL Board (3/4) – .....	9	2-19. Schematic Diagram – CONTROL Board (1/2) – .....	21
2-8. Schematic Diagram – DIGITAL Board (4/4) – .....	10	2-20. Schematic Diagram – CONTROL Board (2/2) – .....	22
2-9. Printed Wiring Board – DSP Board (Side A) – .....	11		
2-10. Printed Wiring Board – DSP Board (Side B) – .....	12	<b>3. ELECTRICAL PARTS LIST</b> .....	23

### 1. NEW/FORMER DISCRIMINATION

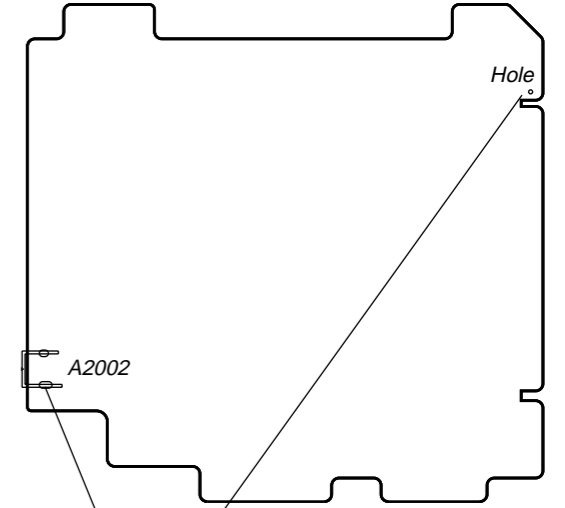
**Note:** CONTROL and DIGITAL boards of Russian and Ukrainian models uses only Suffix-14.

– DIGITAL Board (Component Side) –



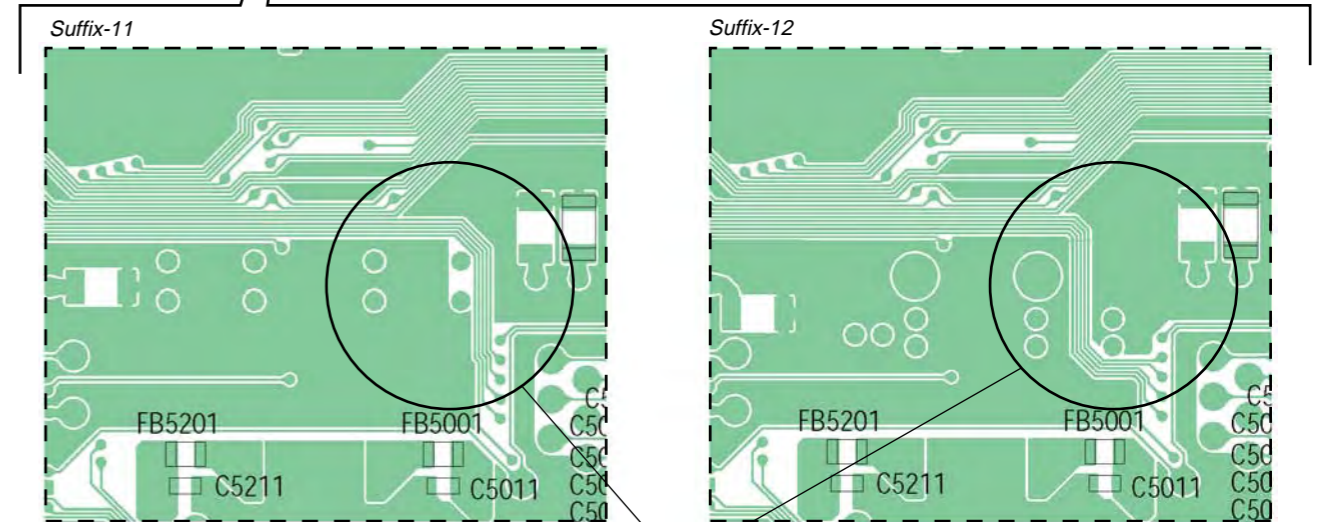
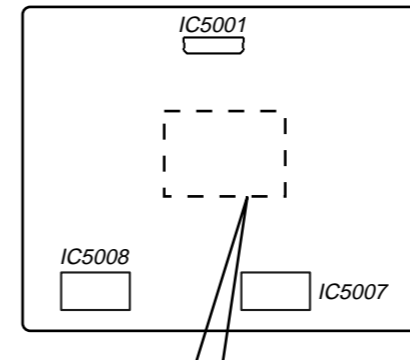
- Suffix-11 : JW2201 is not mounted, and R2501 to R2503 are not mounted.
- Suffix-12/-13 : JW2201 is not mounted, and R2501 to R2503 are mounted.
- Suffix-14 : JW2201 is mounted, and R2501 to R2503 are mounted.

– CONTROL Board (Component Side) –



- Suffix-11/-12 : Hole is not open, and A2002 is not mounted.
- Suffix-13 : Hole is open, and A2002 is not mounted.
- Suffix-14 : Hole is open, and A2002 is mounted.

– DSP Board (Side B) –



pattern is different.

## 2. DIAGRAMS

### • Note for Printed Wiring Boards and Schematic Diagrams

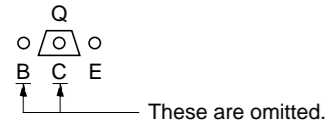
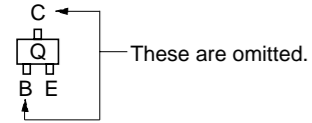
#### Note on Printed Wiring Board:

- — : parts extracted from the component side.
- : parts extracted from the conductor side.
- △ : internal component.
- : Pattern from the side which enables seeing.  
(The other layers' patterns are not indicated.)

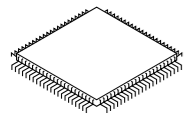
Caution:  
 Pattern face side: Parts on the pattern face side seen from the pattern face are indicated.  
 (Conductor Side)  
 Parts face side: Parts on the parts face side seen from the parts face are indicated.  
 (Component Side)

Caution:  
 Pattern face side: Parts on the pattern face side seen from the pattern face are indicated.  
 (Side B)  
 Parts face side: Parts on the parts face side seen from the parts face are indicated.  
 (Side A)

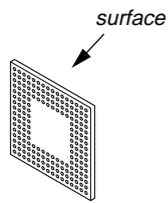
- DSP board is multi-layer printed board. However, the patterns of intermediate-layers have not been included in this diagrams.
- Indication of transistor



#### • Lead Layouts



Lead layout of conventional IC



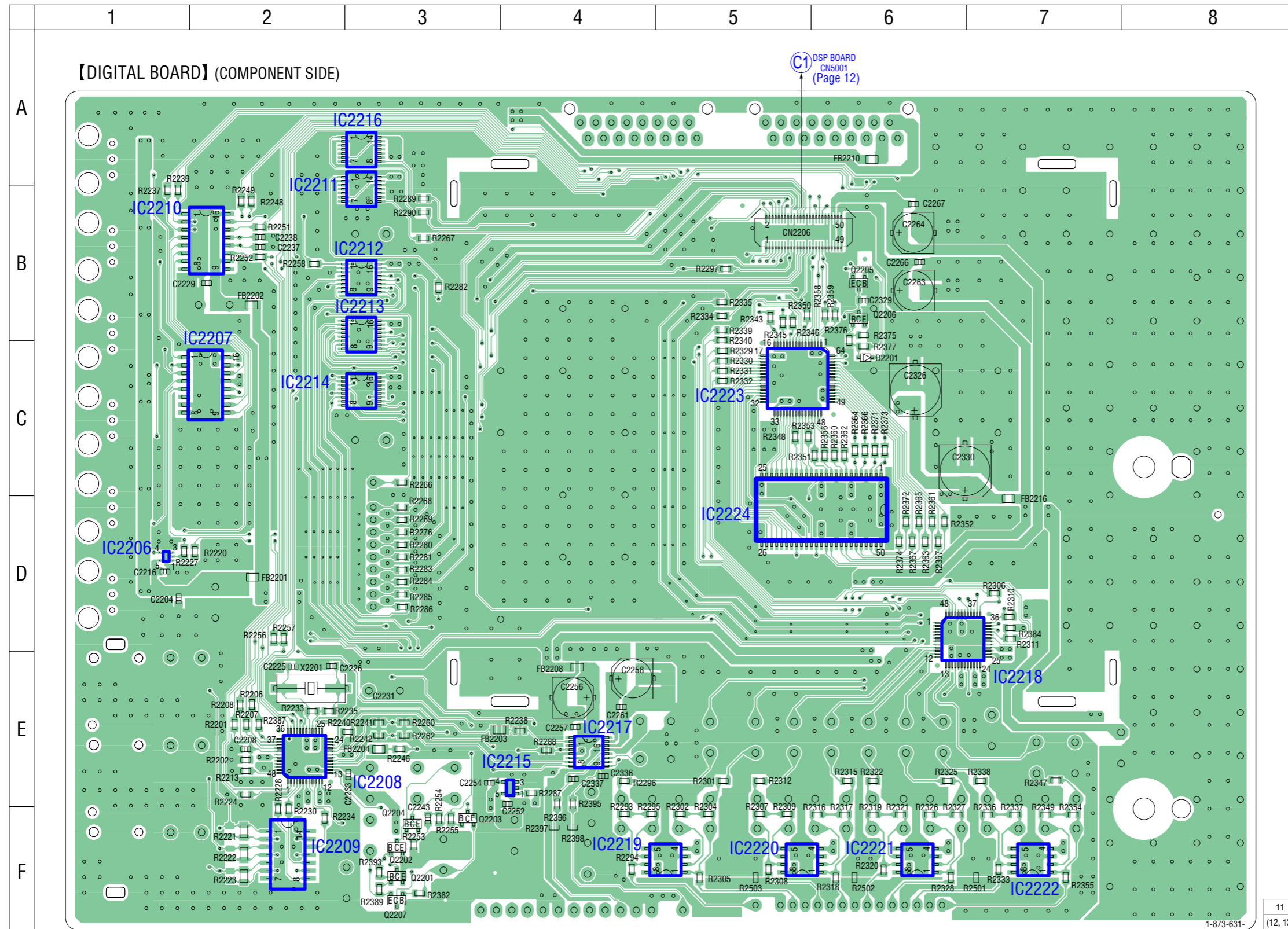
CSP (chip size package)

#### Note on Schematic Diagram:


- All capacitors are in  $\mu\text{F}$  unless otherwise noted. (p: pF) 50 WV or less are not indicated except for electrolytics and tantalums.
- All resistors are in  $\Omega$  and  $1/4 W$  or less unless otherwise specified.
- △ : internal component.
- : panel designation.
- : B+ Line.
- - - : B- Line.
- Voltages are dc with respect to ground under no-signal (detuned) conditions.  
no mark : TUNER
- Voltages are taken with a VOM (Input impedance 10 MW). Voltage variations may be noted due to normal production tolerances.
- ⇒ : AUDIO (ANALOG)
- ⇒ : AUDIO (DIGITAL)
- The voltage and waveform of CSP (chip size package) cannot be measured, because its lead layout is different from that of conventional IC.
- Abbreviation  
 CND : Canadian model  
 ECE : Russian and Ukrainian models

2-1. PRINTED WIRING BOARD – DIGITAL Board (Component Side) (Suffix-12/13) –  : Uses unleaded solder.

• Semiconductor Location

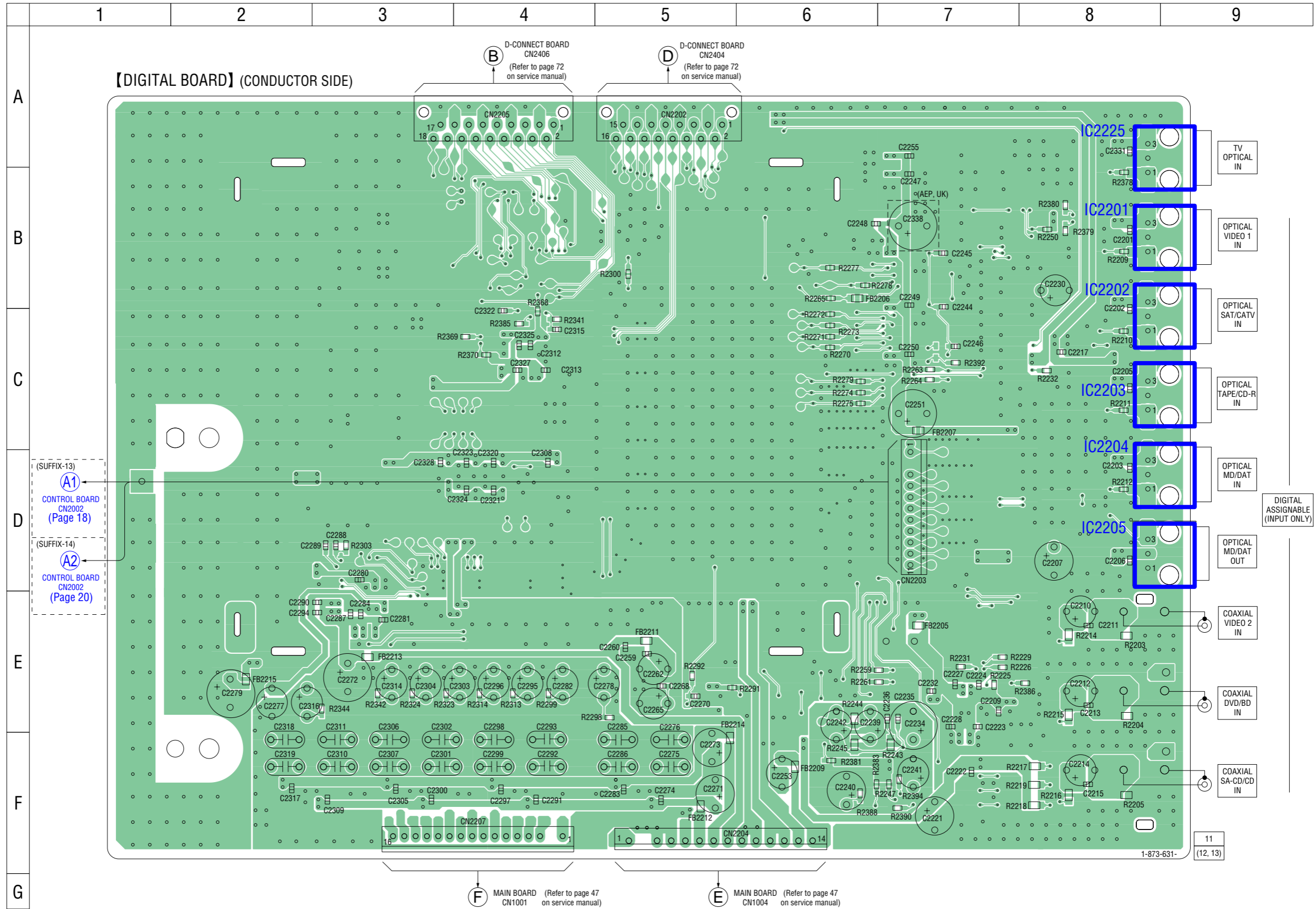


Ref. No.	Location
D2201	C-6
IC2206	D-1
IC2207	C-2
IC2208	E-2
IC2209	F-2
IC2210	B-2
IC2211	B-3
IC2212	B-3
IC2213	B-3
IC2214	C-3
IC2215	E-4
IC2216	A-3
IC2217	E-4
IC2218	D-6
IC2219	F-5
IC2220	F-5
IC2221	F-6
IC2222	F-7
IC2223	C-5
IC2224	D-6
Q2201	F-3
Q2202	F-3
Q2203	F-3
Q2204	F-3
Q2205	B-6
Q2206	B-6
Q2207	F-3

2-2. PRINTED WIRING BOARD – DIGITAL Board (Conductor Side) (Suffix-12/13) –  : Uses unleaded solder.

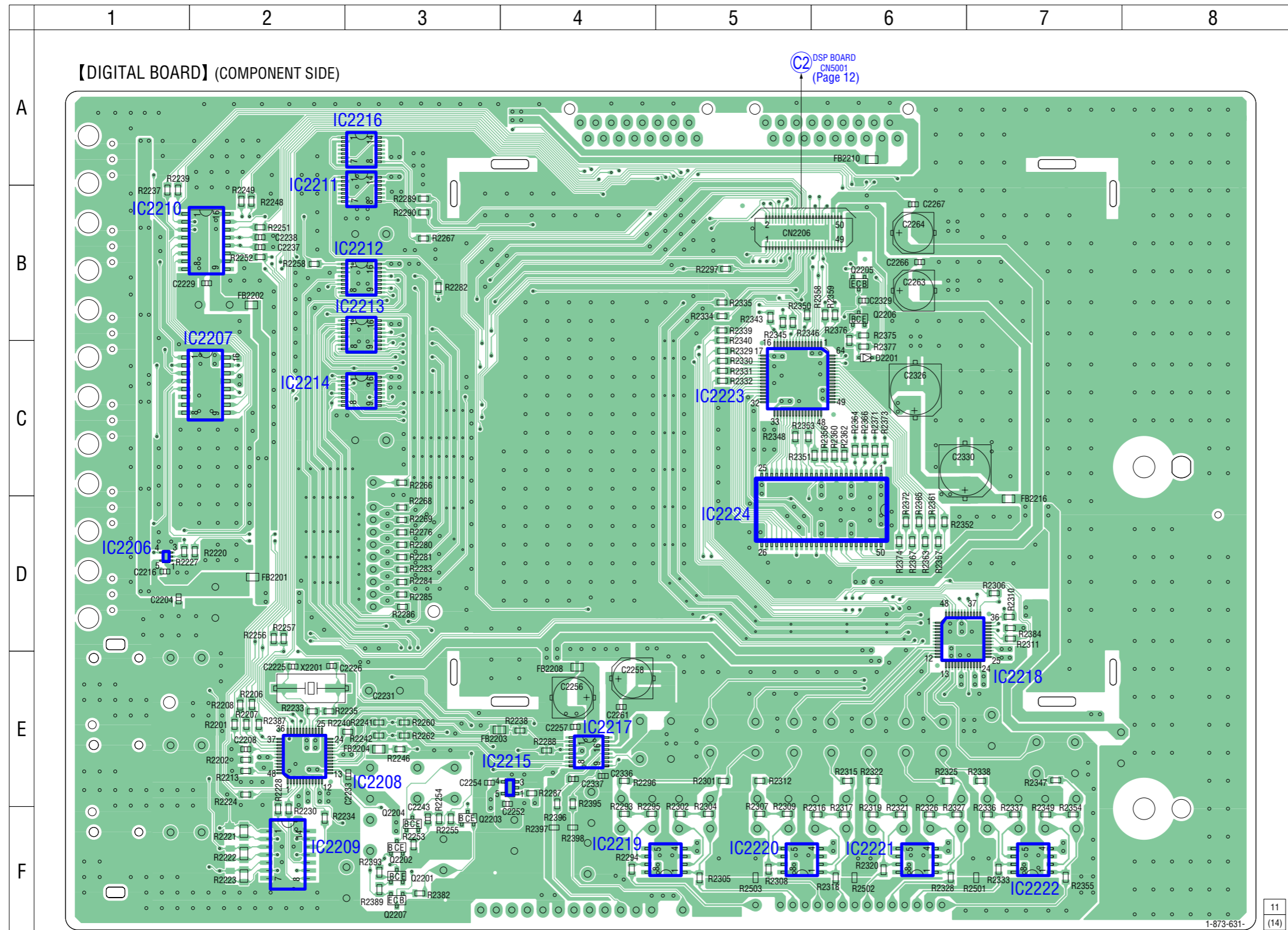
• Semiconductor Location

Ref. No.	Location
IC2201	B-8
IC2202	C-8
IC2203	C-8
IC2204	D-8
IC2205	D-8
IC2225	A-8



2-3. PRINTED WIRING BOARD – DIGITAL Board (Component Side) (Suffix-14) –  : Uses unleaded solder.

• Semiconductor Location

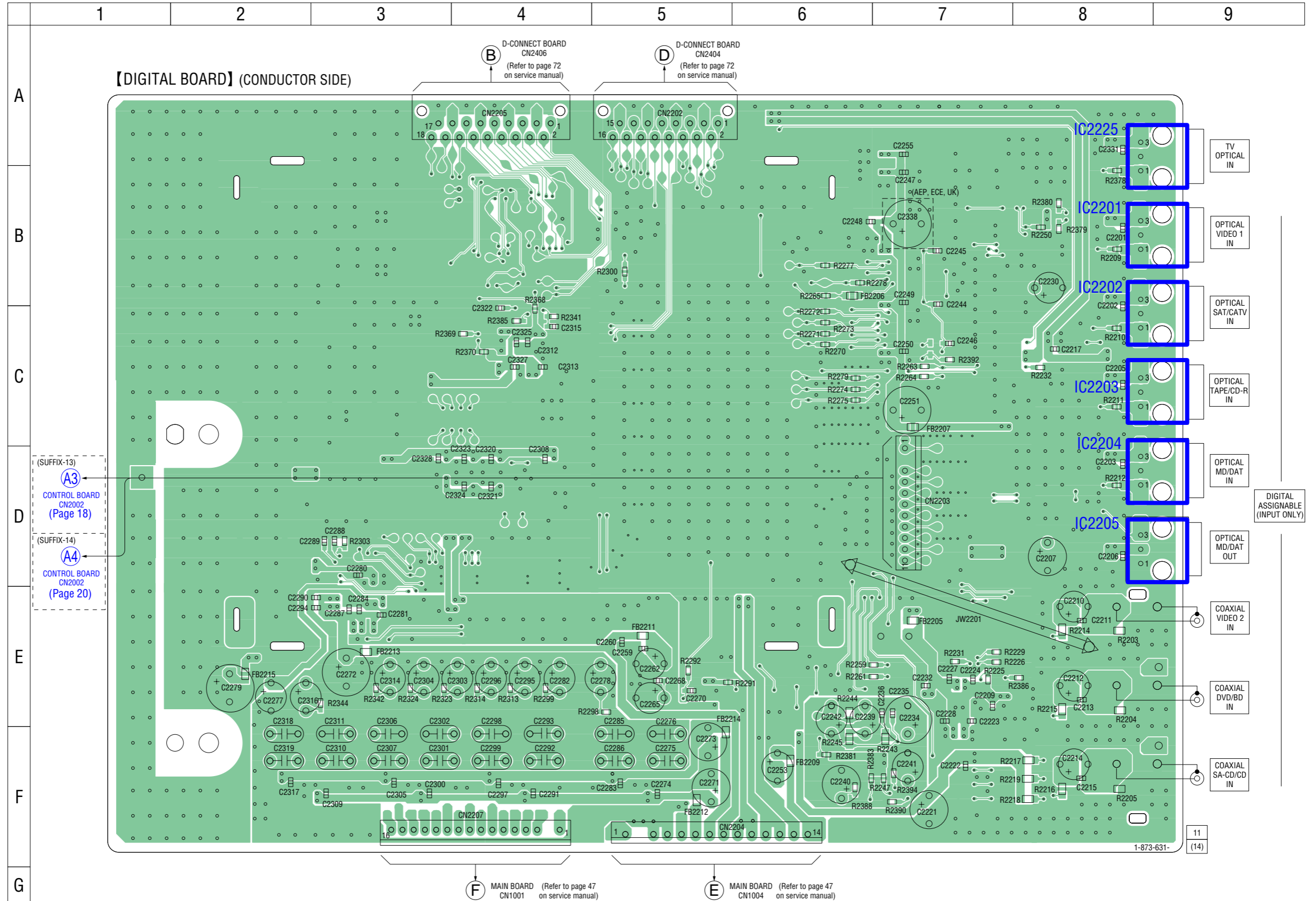


Ref. No.	Location
D2201	C-6
IC2206	D-1
IC2207	C-2
IC2208	E-2
IC2209	F-2
IC2210	B-2
IC2211	B-3
IC2212	B-3
IC2213	B-3
IC2214	C-3
IC2215	E-4
IC2216	A-3
IC2217	E-4
IC2218	D-6
IC2219	F-5
IC2220	F-5
IC2221	F-6
IC2222	F-7
IC2223	C-5
IC2224	D-6
Q2201	F-3
Q2202	F-3
Q2203	F-3
Q2204	F-3
Q2205	B-6
Q2206	B-6
Q2207	F-3

2-4. PRINTED WIRING BOARD – DIGITAL Board (Conductor Side) (Suffix-14) –  : Uses unleaded solder.

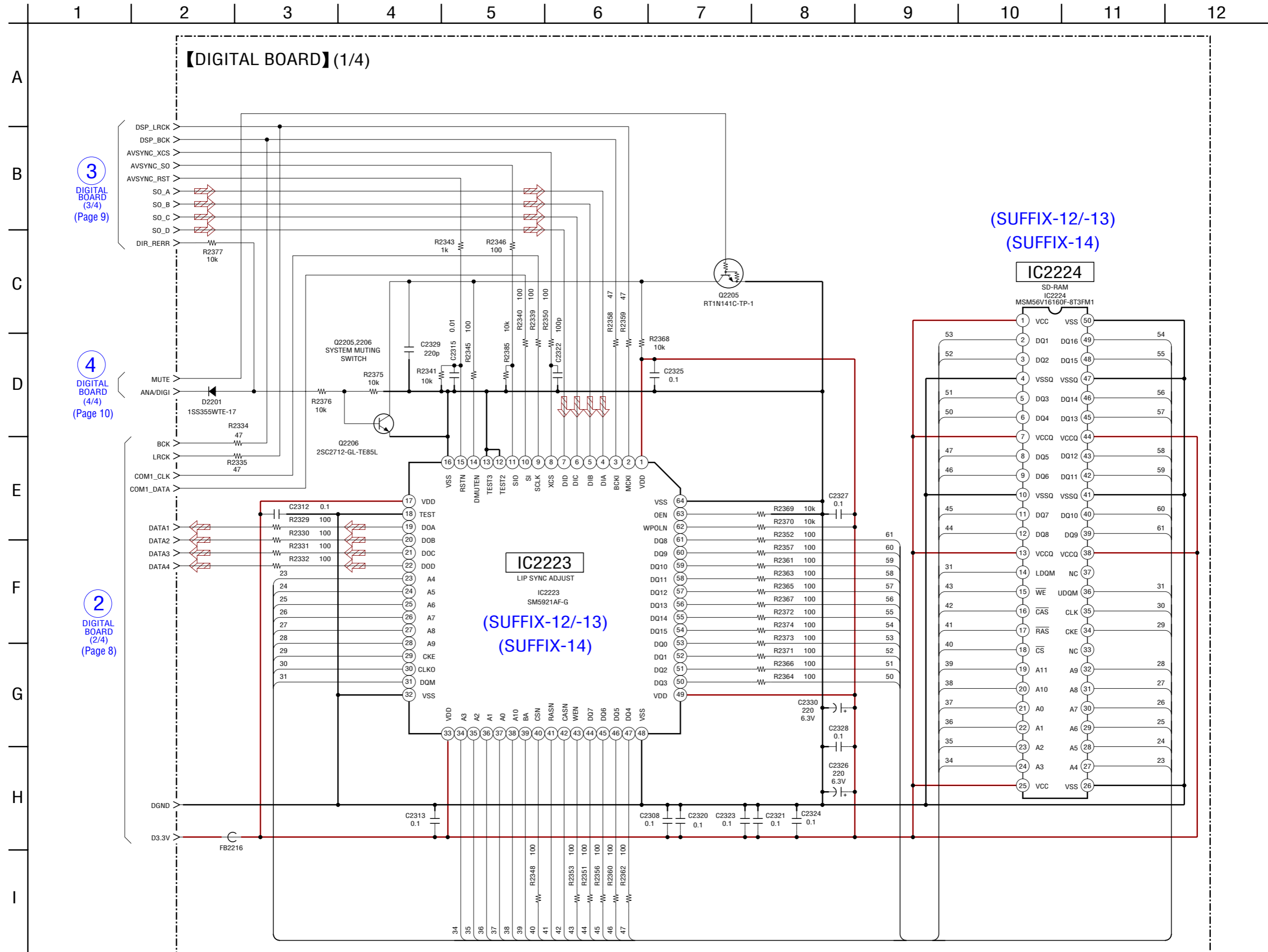
• Semiconductor Location

Ref. No.	Location
IC2201	B-8
IC2202	C-8
IC2203	C-8
IC2204	D-8
IC2205	D-8
IC2225	A-8

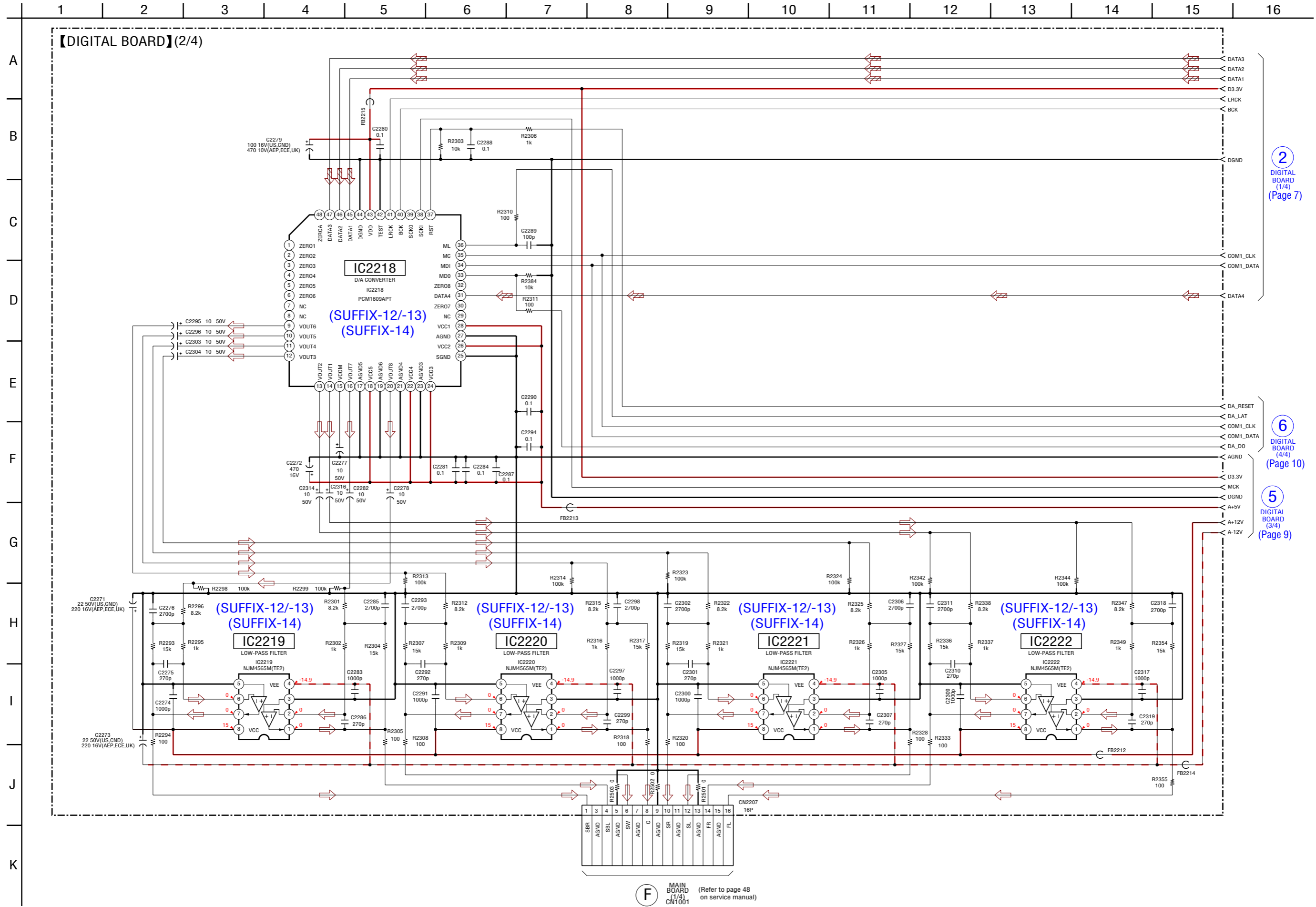




2-5. SCHEMATIC DIAGRAM – DIGITAL Board (1/4) –



2-6. SCHEMATIC DIAGRAM – DIGITAL Board (2/4) –



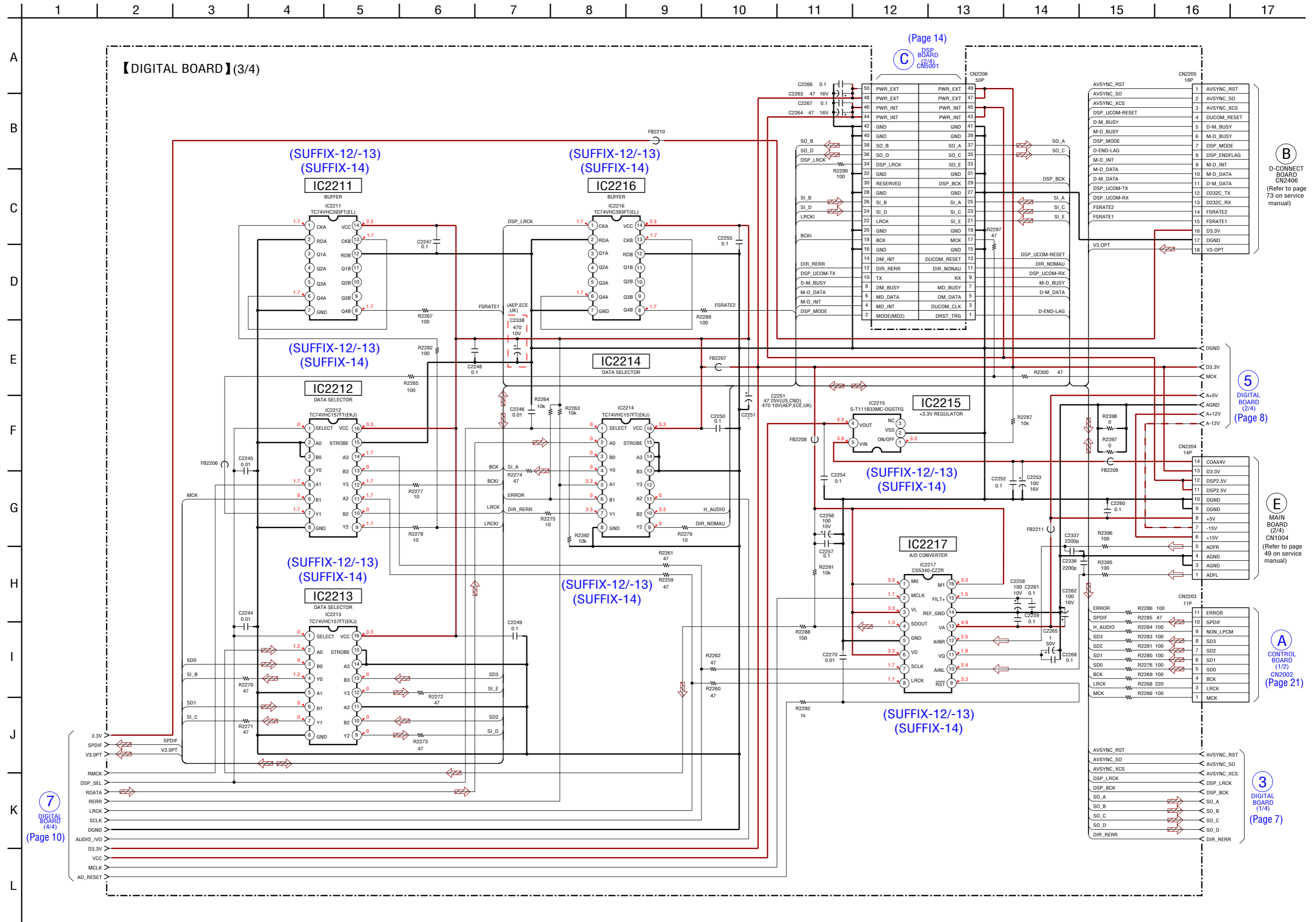
2 DIGITAL BOARD (1/4) (Page 7)

6 DIGITAL BOARD (4/4) (Page 10)

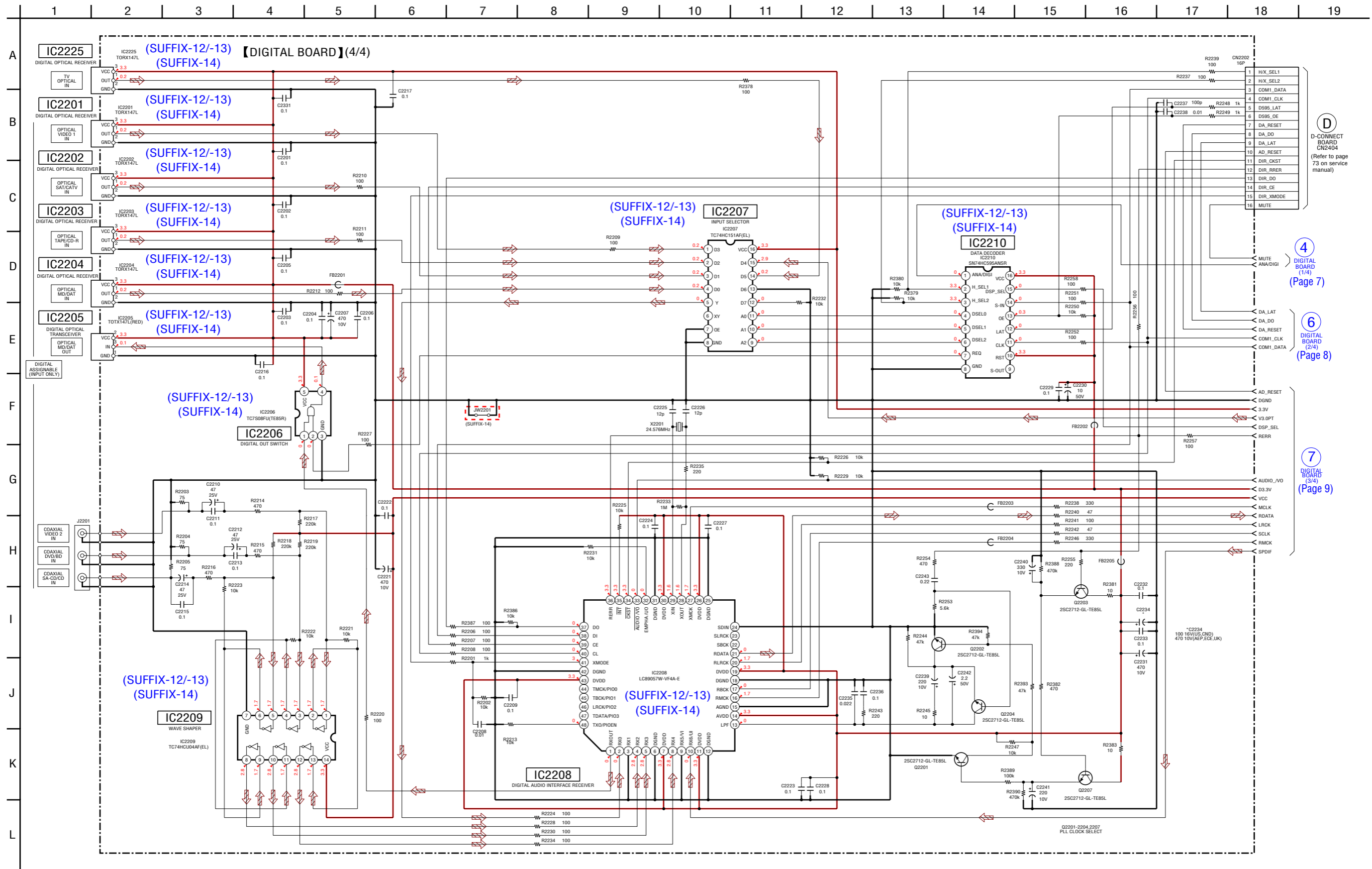
5 DIGITAL BOARD (3/4) (Page 9)

F MAIN BOARD (1/4) CN1001 (Refer to page 48 on service manual)

2-7. SCHEMATIC DIAGRAM – DIGITAL Board (3/4) –



2-8. SCHEMATIC DIAGRAM – DIGITAL Board (4/4) –



D  
D-CONNECT BOARD  
CN2404  
(Refer to page 73 on service manual)

4  
DIGITAL BOARD (1/4)  
(Page 7)

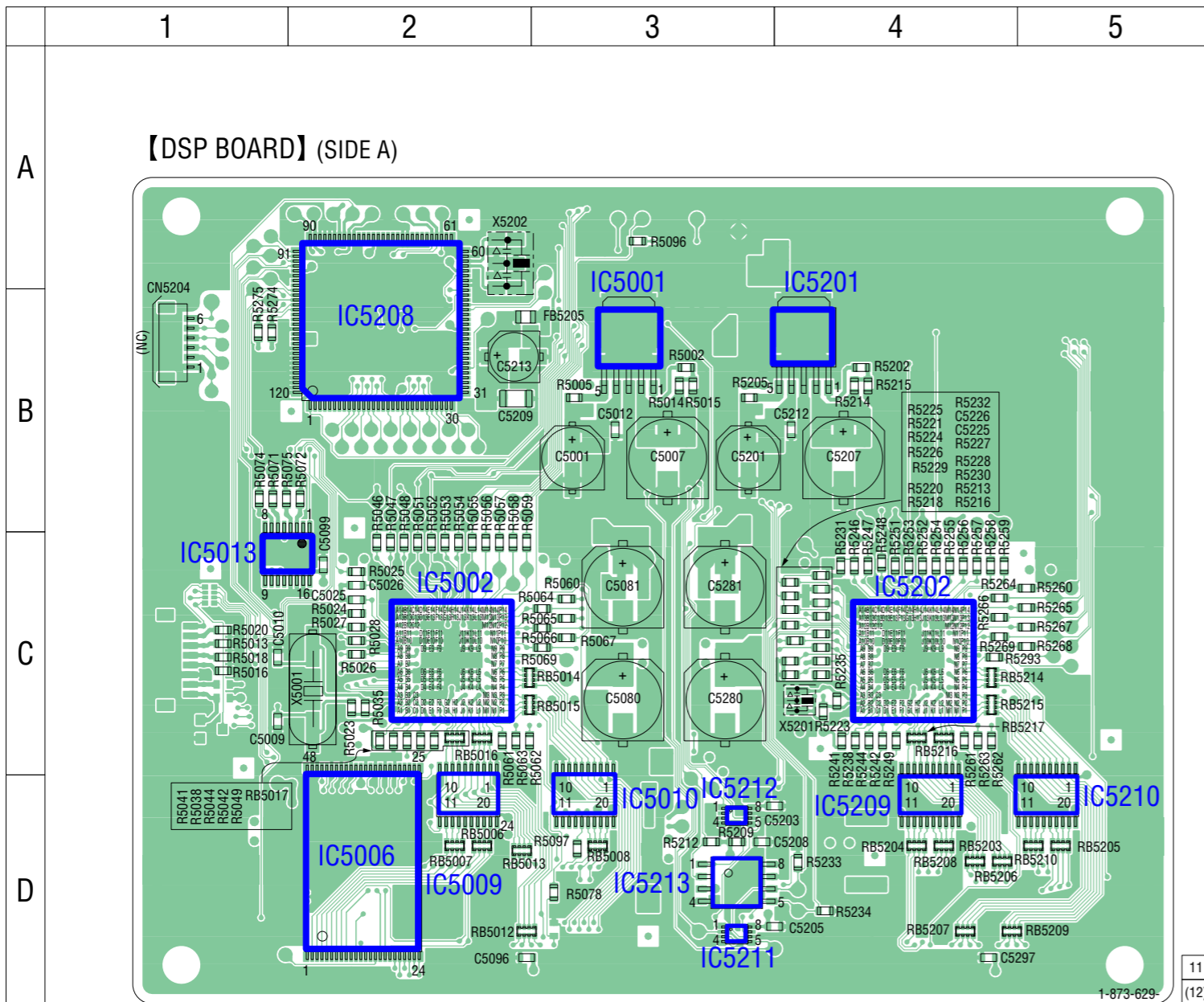
6  
DIGITAL BOARD (2/4)  
(Page 8)

7  
DIGITAL BOARD (3/4)  
(Page 9)

2-9. PRINTED WIRING BOARD – DSP Board (Side A) –  : Uses unleaded solder.

• Semiconductor Location

Ref. No.	Location
IC5001	B-3
IC5002	C-2
IC5006	D-2
IC5009	D-2
IC5010	D-3
IC5013	C-1
IC5201	B-4
IC5202	C-4
IC5208	B-2
IC5209	D-4
IC5210	D-5
IC5211	D-3
IC5212	D-3
IC5213	D-3



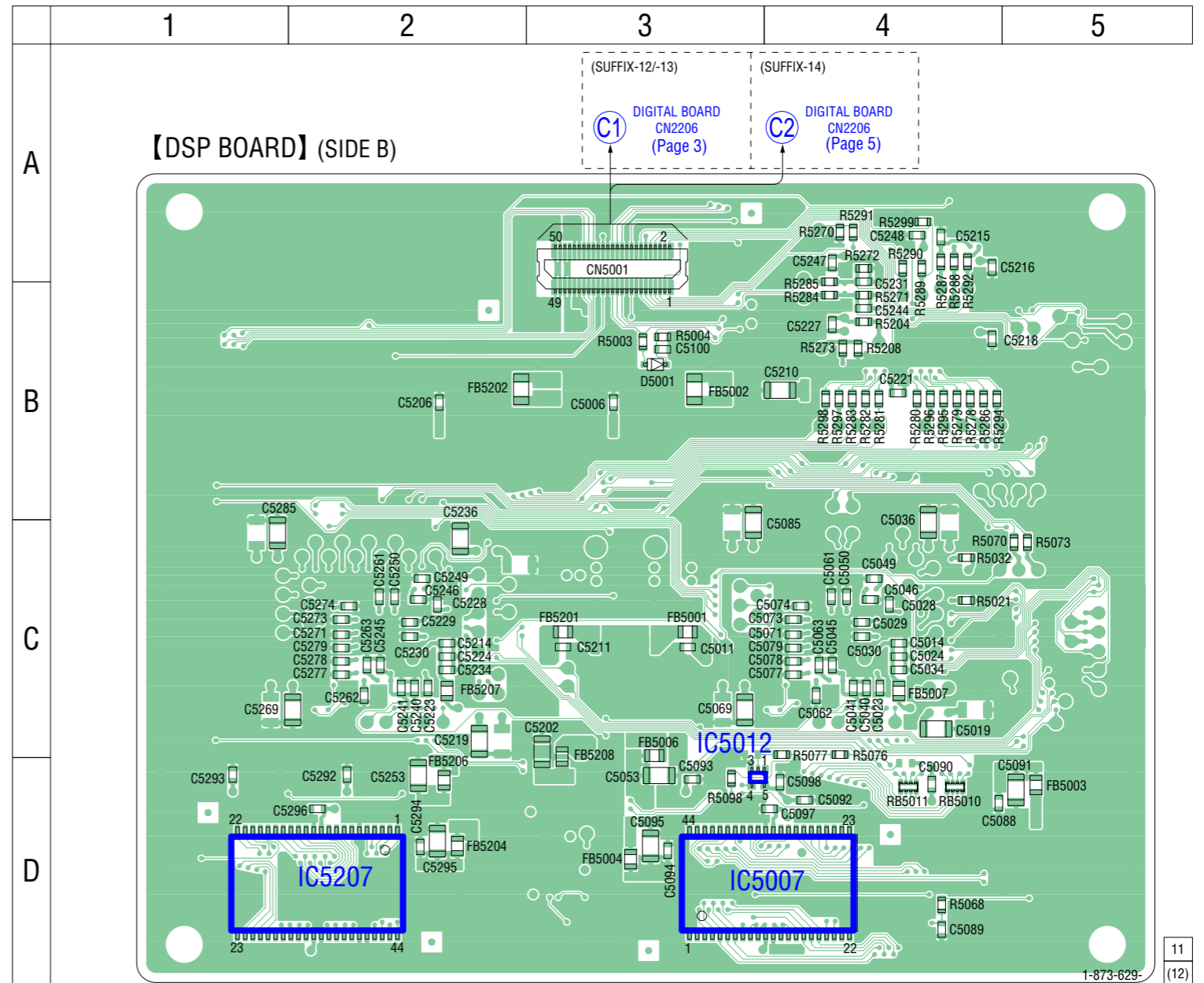
11  
(12)

**Note:** IC5002 and IC5202 cannot exchange with single. When IC5002 and IC5202 are damaged, exchange the entire mounted board.

• Semiconductor Location

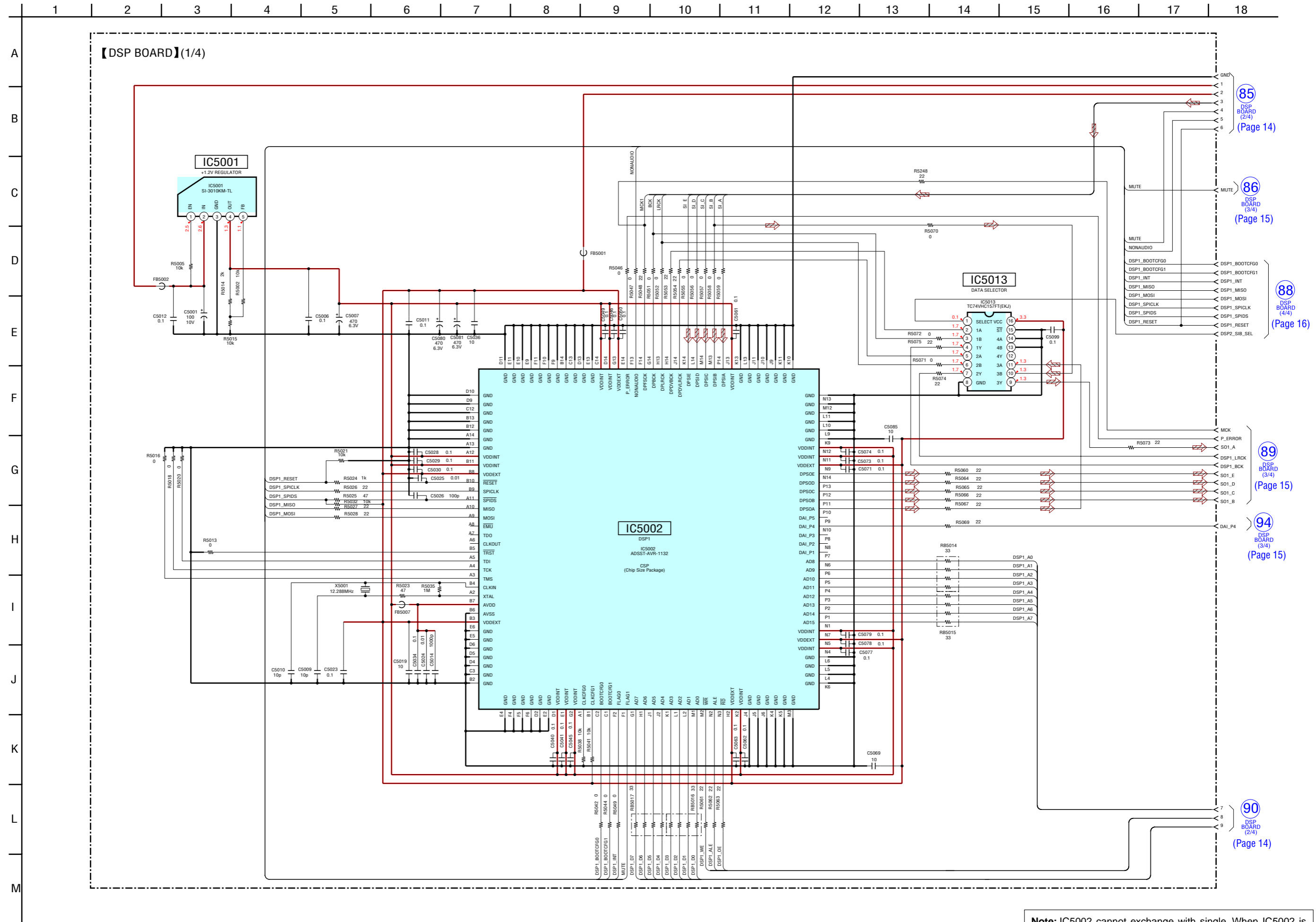
Ref. No.	Location
D5001	B-3
IC5007	D-4
IC5012	D-3
IC5207	D-2

2-10. PRINTED WIRING BOARD – DSP Board (Side B) –  : Uses unleaded solder.



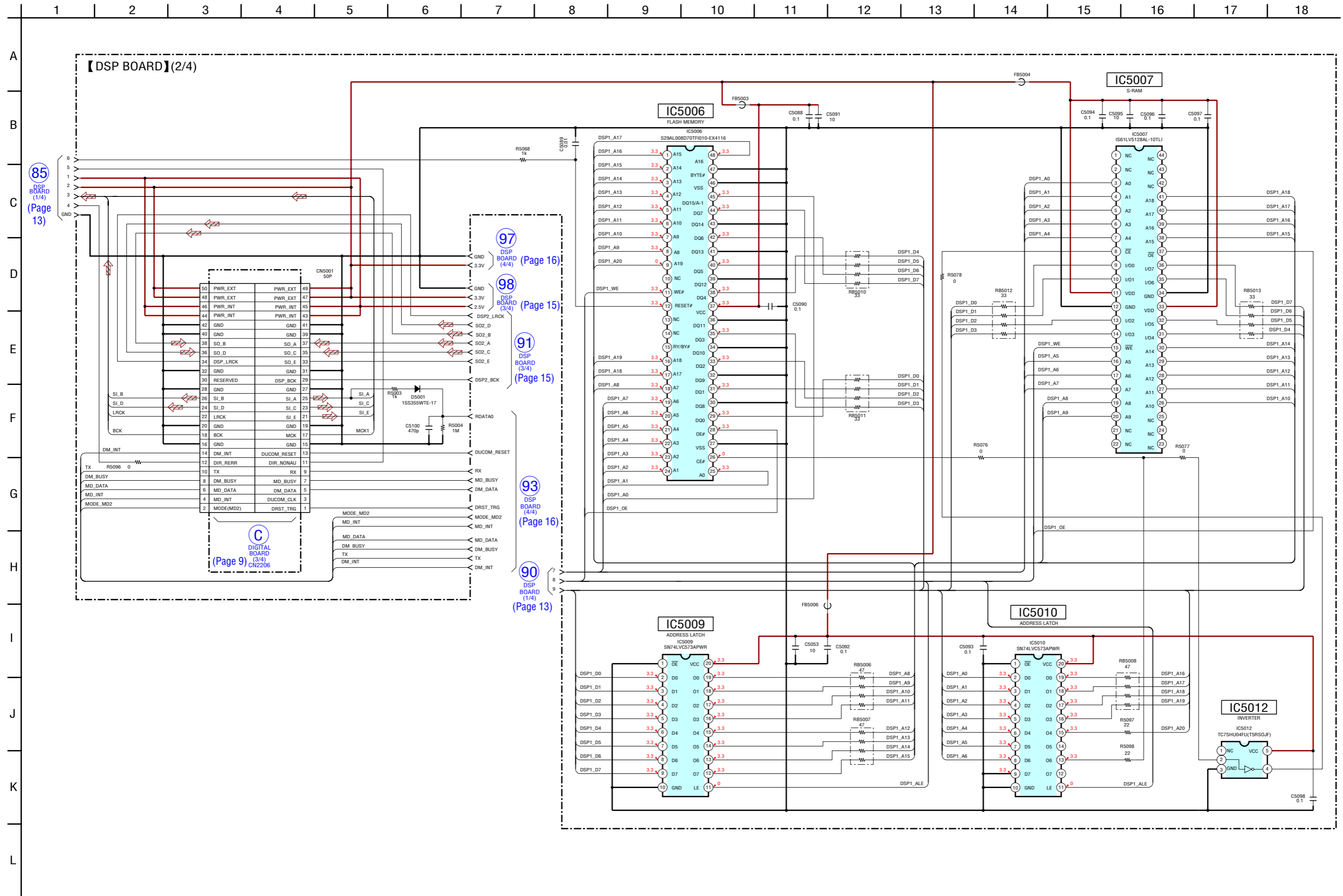
11  
(12)

2-11. SCHEMATIC DIAGRAM – DSP Board (1/4) –



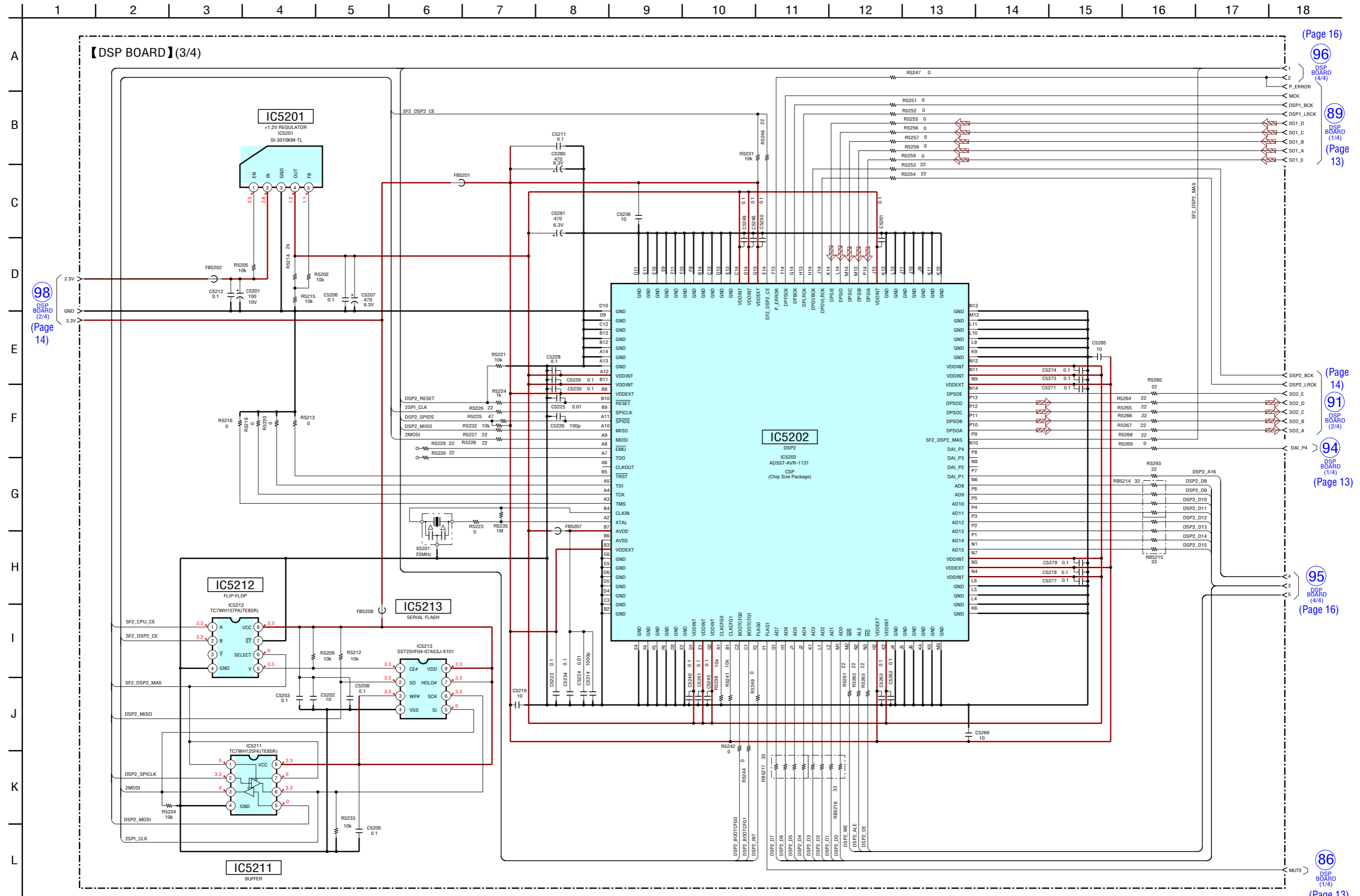
**Note:** IC5002 cannot exchange with single. When IC5002 is damaged, exchange the entire mounted board.

2-12. SCHEMATIC DIAGRAM – DSP Board (2/4) –



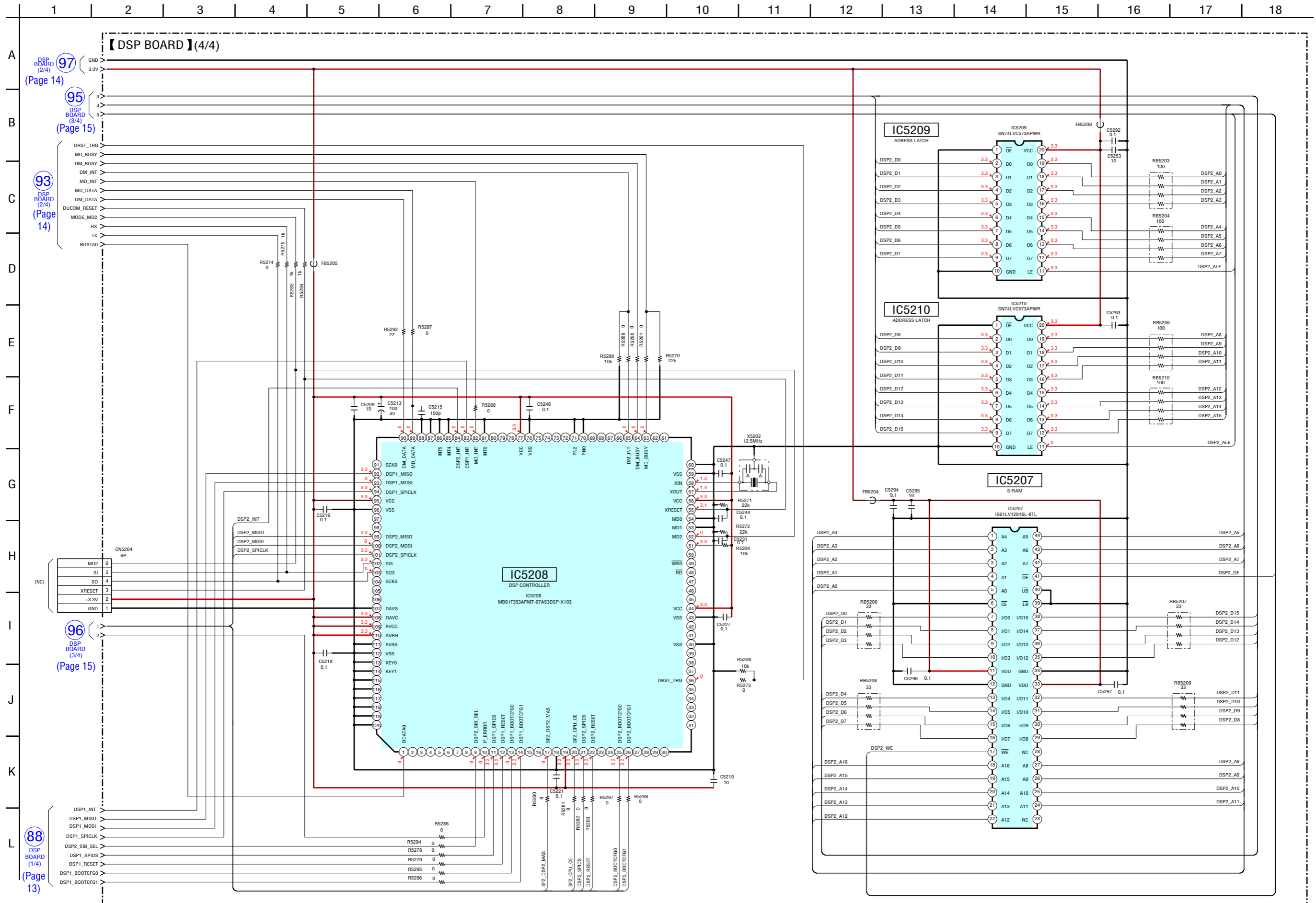


2-13. SCHEMATIC DIAGRAM – DSP Board (3/4) –

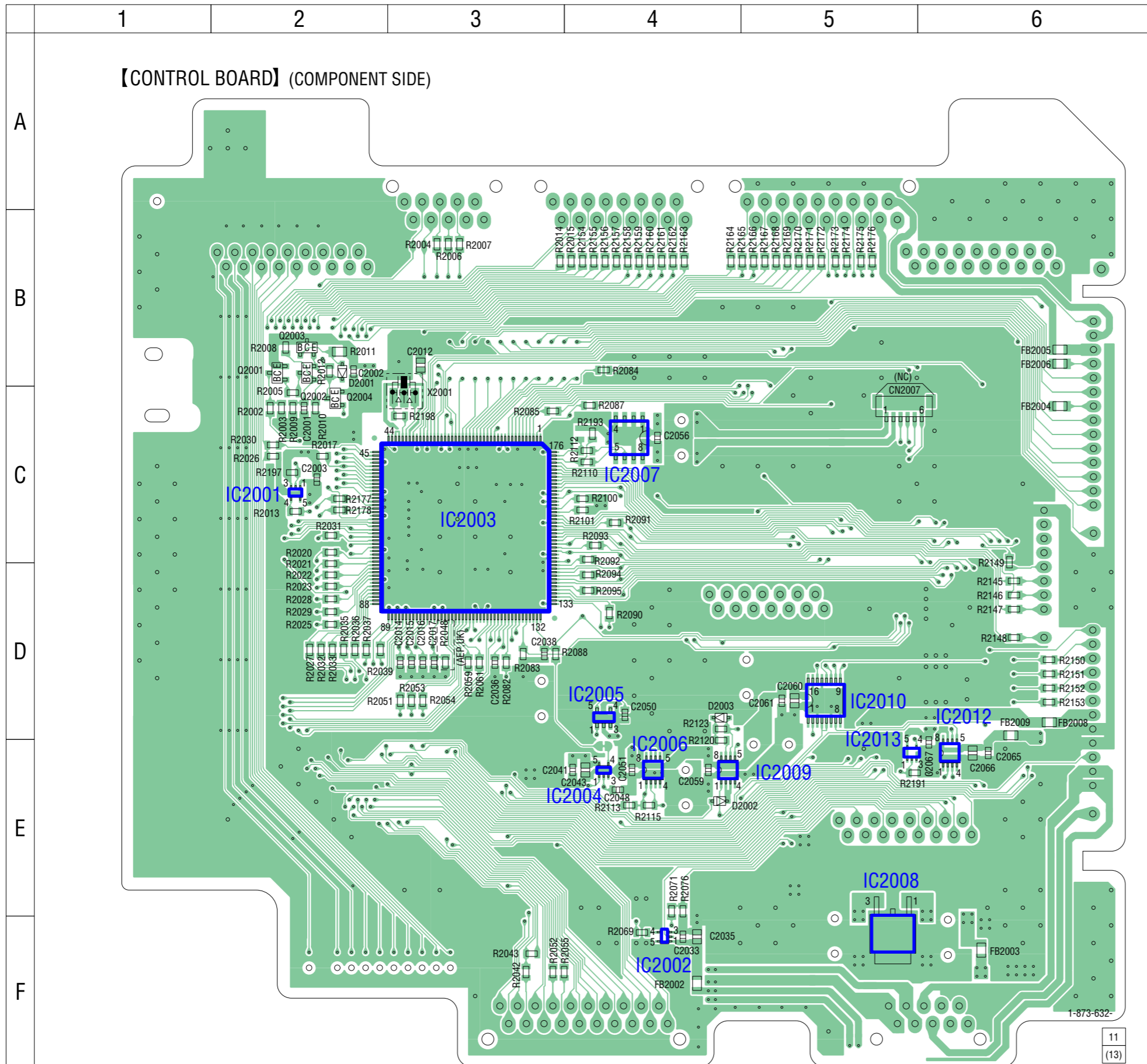


Note: IC5202 cannot exchange with single. When IC5202 is damaged, exchange the entire mounted board.

2-14. SCHEMATIC DIAGRAM – DSP Board (4/4) –




2-15. PRINTED WIRING BOARD – CONTROL Board (Component Side) (Suffix-13) –  : Uses unleaded solder.



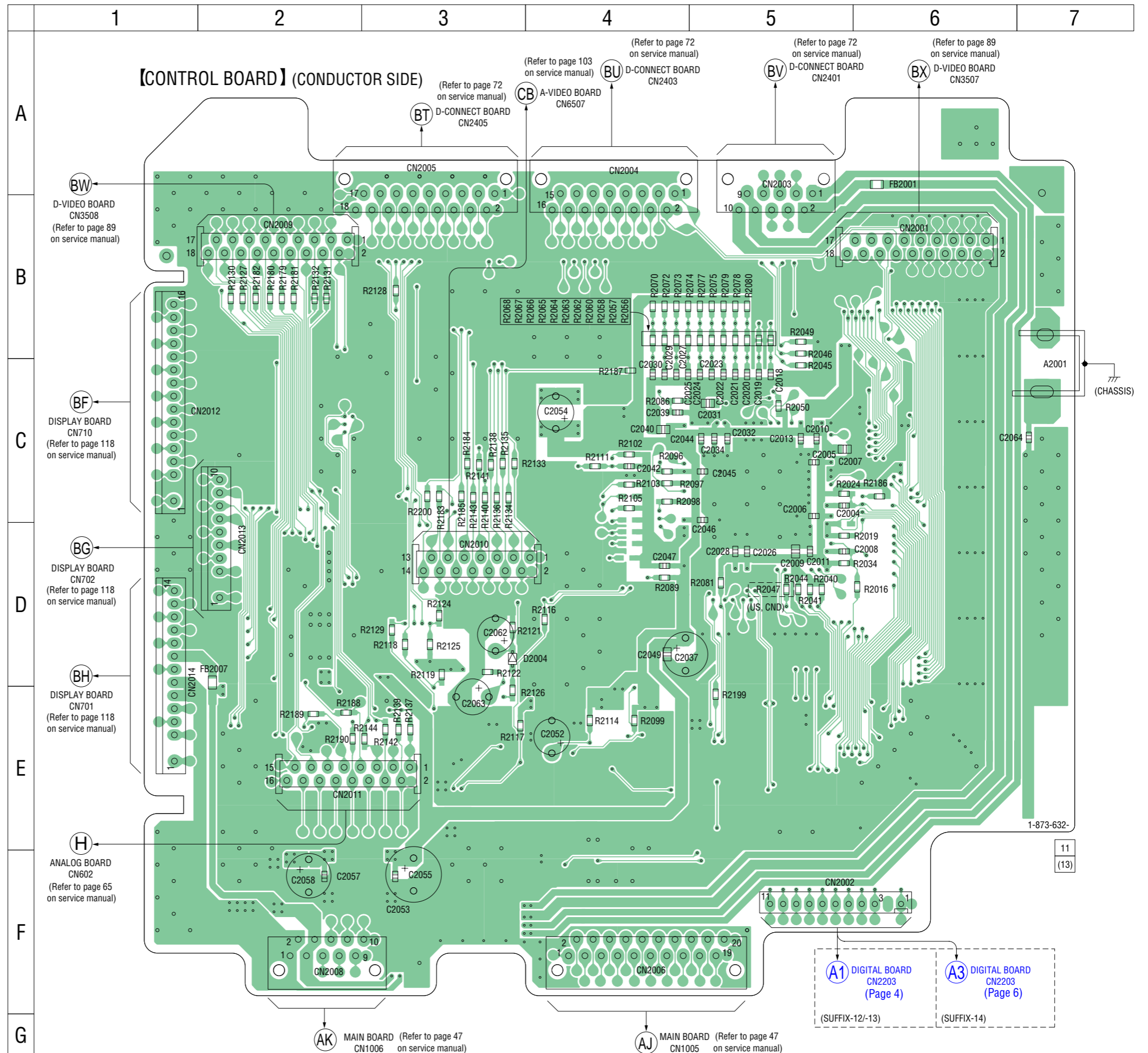
• Semiconductor Location

Ref. No.	Location
D2001	B-2
D2002	E-4
D2003	D-4
IC2001	C-2
IC2002	F-4
IC2003	C-3
IC2004	E-4
IC2005	D-4
IC2006	E-4
IC2007	C-4
IC2008	F-5
IC2009	E-4
IC2010	D-5
IC2012	E-6
IC2013	E-5
Q2001	B-2
Q2002	B-2
Q2003	B-2
Q2004	C-2

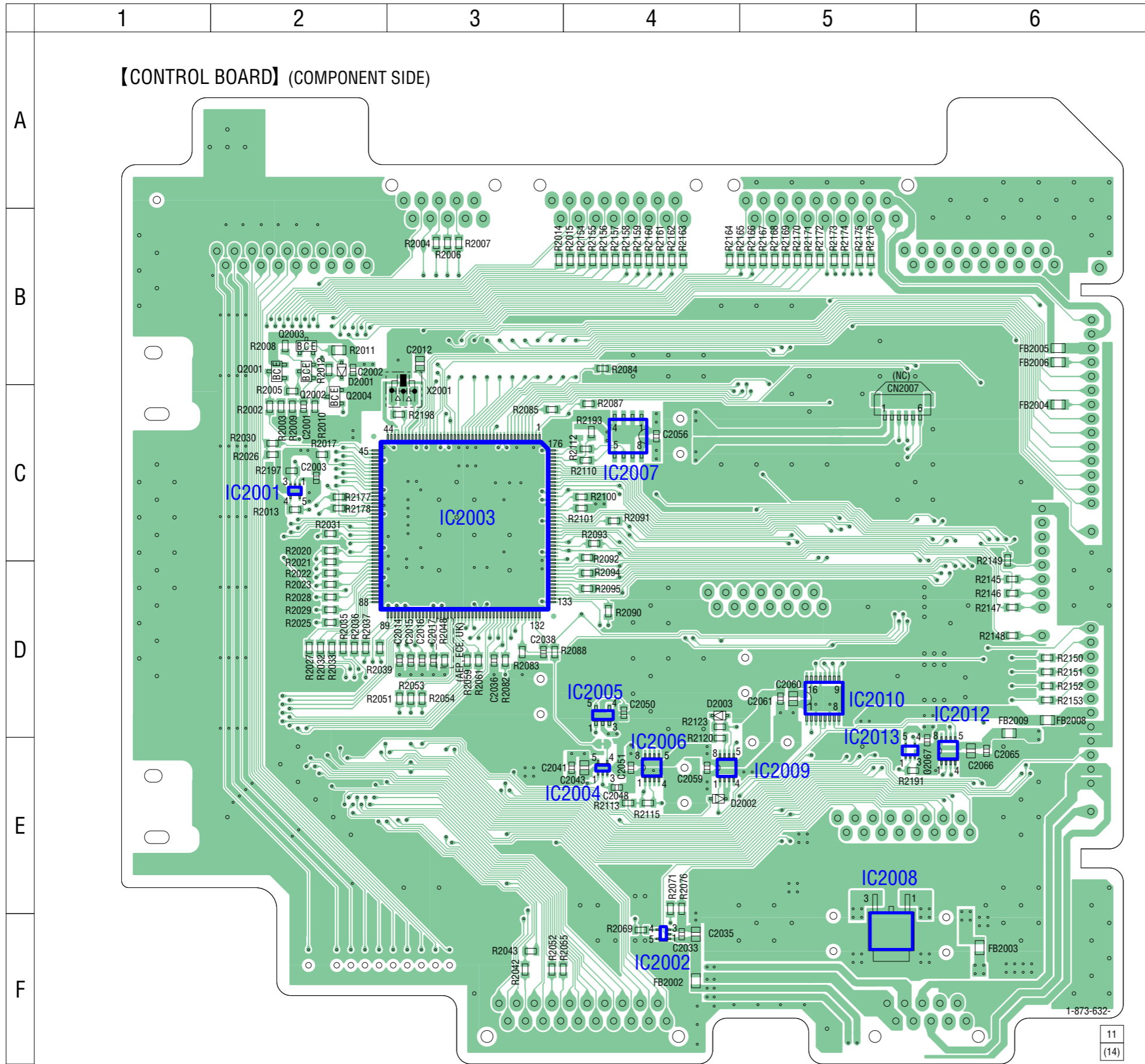
2-16. PRINTED WIRING BOARD – CONTROL Board (Conductor Side) (Suffix-13) –  : Uses unleaded solder.

• Semiconductor Location

Ref. No.	Location
D2004	D-3




2-17. PRINTED WIRING BOARD – CONTROL Board (Component Side) (Suffix-14) –  : Uses unleaded solder.



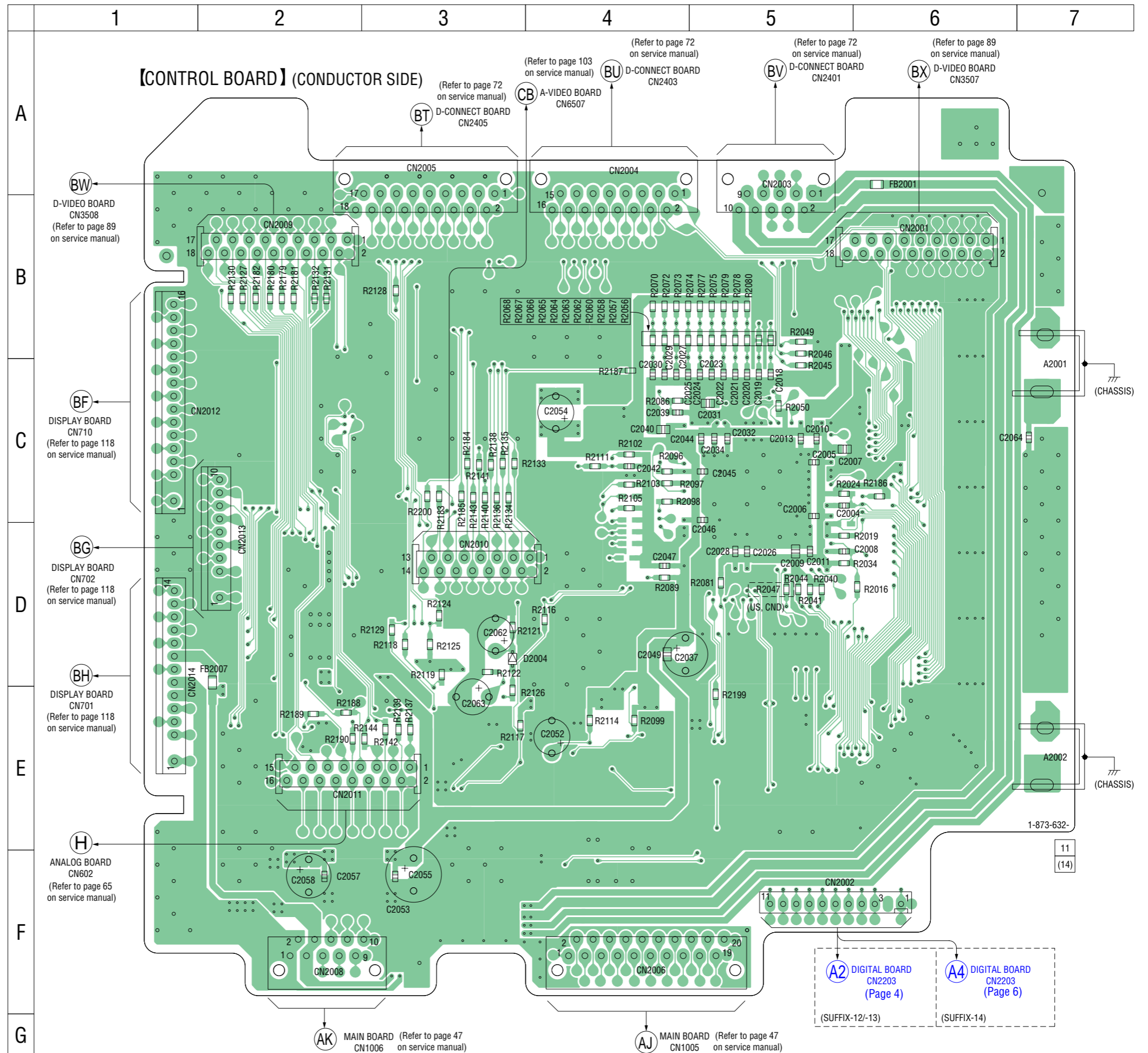
• Semiconductor Location

Ref. No.	Location
D2001	B-2
D2002	E-4
D2003	D-4
IC2001	C-2
IC2002	F-4
IC2003	C-3
IC2004	E-4
IC2005	D-4
IC2006	E-4
IC2007	C-4
IC2008	F-5
IC2009	E-4
IC2010	D-5
IC2012	E-6
IC2013	E-5
Q2001	B-2
Q2002	B-2
Q2003	B-2
Q2004	C-2

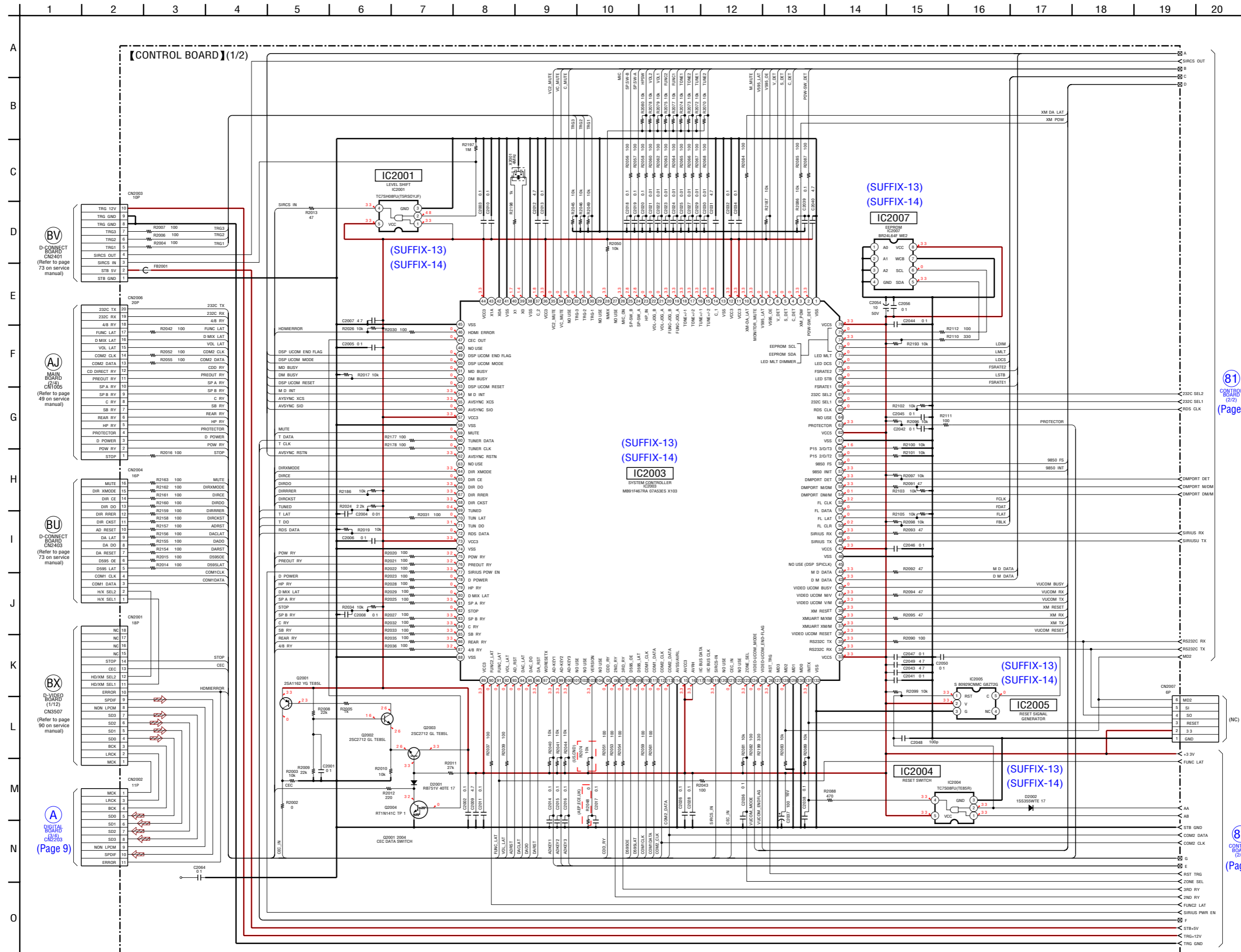
2-18. PRINTED WIRING BOARD – CONTROL Board (Conductor Side) (Suffix-14) –  : Uses unleaded solder.

• Semiconductor Location

Ref. No.	Location
D2004	D-3



2-19. SCHEMATIC DIAGRAM – CONTROL Board (1/2) –



**(BV)**  
D-CONNECT BOARD CN2401 (Refer to page 73 on service manual)

**(AJ)**  
MAIN BOARD CN1005 (Refer to page 49 on service manual)

**(BU)**  
D-CONNECT BOARD CN2403 (Refer to page 73 on service manual)

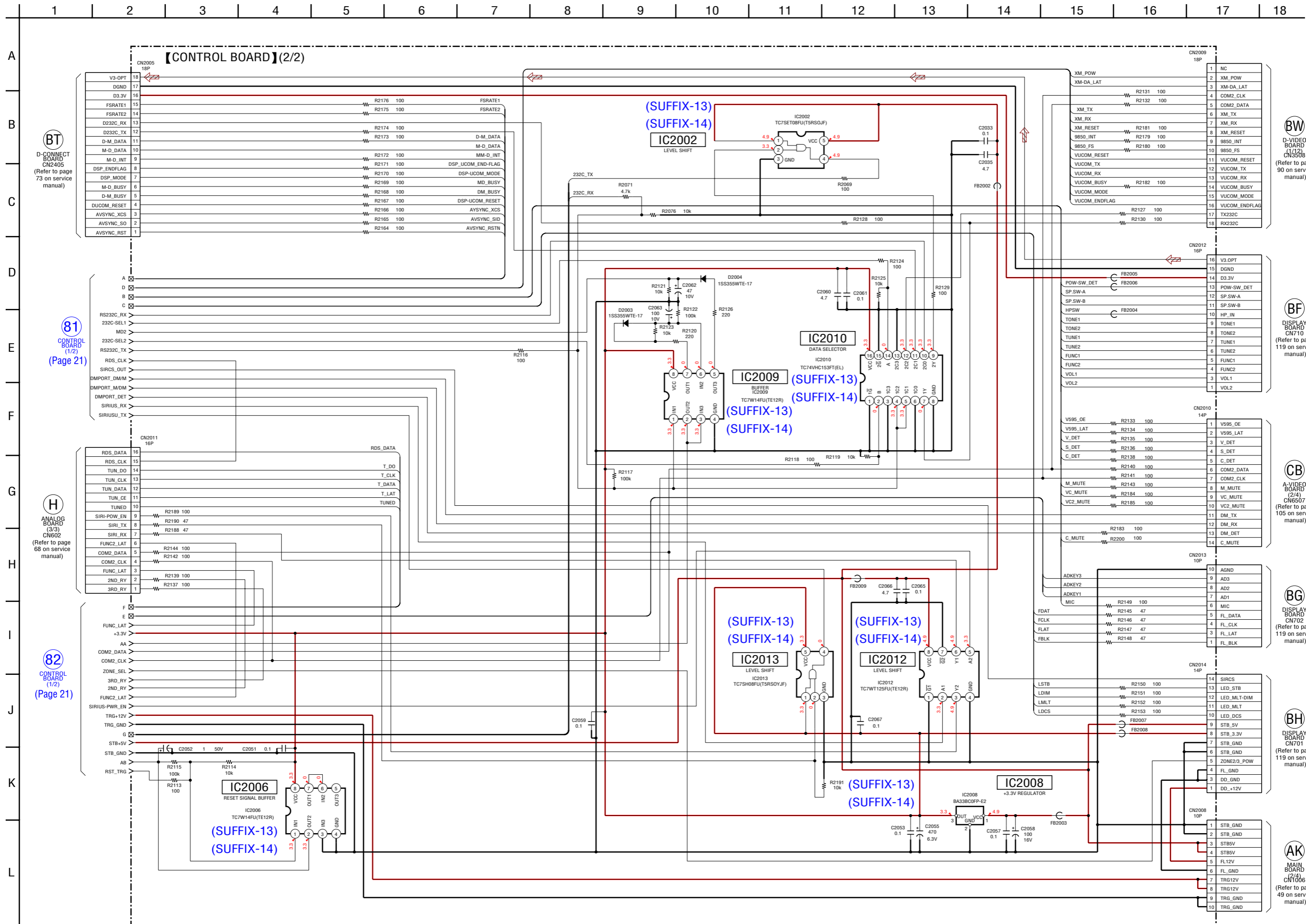
**(BX)**  
D-VIDEO BOARD (1/12) CN3507 (Refer to page 90 on service manual)

**(A)**  
DIGITAL BOARD CN2403 (Page 9)

**(81)**  
CONTROL BOARD (2/2) (Page 22)

**(82)**  
CONTROL BOARD (2/2) (Page 22)

2-20. SCHEMATIC DIAGRAM – CONTROL Board (2/2) –





## 3. ELECTRICAL PARTS LIST

## NOTE:

- Due to standardization, replacements in the parts list may be different from the parts specified in the diagrams or the components used on the set.
- -XX and -X mean standardized parts, so they may have some difference from the original one.
- Items marked "\*" are not stocked since they are seldom required for routine service. Some delay should be anticipated when ordering these items.
- CAPACITORS  
uF:  $\mu$ F
- COILS  
uH:  $\mu$ H
- RESISTORS  
All resistors are in ohms.  
METAL: Metal-film resistor.  
METAL OXIDE: Metal oxide-film resistor.  
F: nonflammable
- SEMICONDUCTORS  
In each case, u:  $\mu$ , for example:  
uA... :  $\mu$ A...      uPA... :  $\mu$ PA...  
uPB... :  $\mu$ PB...    uPC... :  $\mu$ PC...  
uPD... :  $\mu$ PD...
- Abbreviation  
CND : Canadian model  
ECE : Russian and Ukrainian models

When indicating parts by reference number, please include the board.

Ref. No.	Part No.	Description	Remark	Ref. No.	Part No.	Description	Remark
	A-1252-345-A	CONTROL BOARD, COMPLETE (US, CND)		C2040	1-117-720-11	CERAMIC CHIP 4.7uF	10V
	A-1252-346-A	CONTROL BOARD, COMPLETE (AEP, ECE, UK)		C2041	1-107-826-11	CERAMIC CHIP 0.1uF	10% 16V
		*****		C2042	1-107-826-11	CERAMIC CHIP 0.1uF	10% 16V
		< CAPACITOR >		C2043	1-117-720-11	CERAMIC CHIP 4.7uF	10V
C2001	1-107-826-11	CERAMIC CHIP 0.1uF	10% 16V	C2044	1-107-826-11	CERAMIC CHIP 0.1uF	10% 16V
C2002	1-107-826-11	CERAMIC CHIP 0.1uF	10% 16V	C2045	1-107-826-11	CERAMIC CHIP 0.1uF	10% 16V
C2003	1-107-826-11	CERAMIC CHIP 0.1uF	10% 16V	C2046	1-107-826-11	CERAMIC CHIP 0.1uF	10% 16V
C2004	1-162-974-11	CERAMIC CHIP 0.01uF	50V	C2047	1-107-826-11	CERAMIC CHIP 0.1uF	10% 16V
C2005	1-107-826-11	CERAMIC CHIP 0.1uF	10% 16V	C2048	1-162-927-11	CERAMIC CHIP 100PF	5% 50V
C2006	1-107-826-11	CERAMIC CHIP 0.1uF	10% 16V	C2049	1-117-720-11	CERAMIC CHIP 4.7uF	10V
C2007	1-117-720-11	CERAMIC CHIP 4.7uF	10V	C2050	1-107-826-11	CERAMIC CHIP 0.1uF	10% 16V
C2008	1-107-826-11	CERAMIC CHIP 0.1uF	10% 16V	C2051	1-107-826-11	CERAMIC CHIP 0.1uF	10% 16V
C2009	1-117-720-11	CERAMIC CHIP 4.7uF	10V	C2052	1-126-960-11	ELECT 1uF	20% 50V
C2010	1-107-826-11	CERAMIC CHIP 0.1uF	10% 16V	C2053	1-107-826-11	CERAMIC CHIP 0.1uF	10% 16V
C2011	1-107-826-11	CERAMIC CHIP 0.1uF	10% 16V	C2054	1-126-964-11	ELECT 10uF	20% 50V
C2012	1-117-720-11	CERAMIC CHIP 4.7uF	10V	C2055	1-119-941-91	ELECT 470uF	20% 6.3V
C2013	1-107-826-11	CERAMIC CHIP 0.1uF	10% 16V	C2056	1-107-826-11	CERAMIC CHIP 0.1uF	10% 16V
C2014	1-107-826-11	CERAMIC CHIP 0.1uF	10% 16V	C2057	1-107-826-11	CERAMIC CHIP 0.1uF	10% 16V
C2015	1-107-826-11	CERAMIC CHIP 0.1uF	10% 16V	C2058	1-126-382-11	ELECT 100uF	20% 16V
C2016	1-107-826-11	CERAMIC CHIP 0.1uF	10% 16V	C2059	1-107-826-11	CERAMIC CHIP 0.1uF	10% 16V
C2017	1-107-826-11	CERAMIC CHIP 0.1uF	10% 16V	C2060	1-117-720-11	CERAMIC CHIP 4.7uF	10V
C2018	1-107-826-11	CERAMIC CHIP 0.1uF	10% 16V	C2061	1-107-826-11	CERAMIC CHIP 0.1uF	10% 16V
C2019	1-107-826-11	CERAMIC CHIP 0.1uF	10% 16V	C2062	1-126-785-11	ELECT 47uF	20% 10V
C2020	1-107-826-11	CERAMIC CHIP 0.1uF	10% 16V	C2063	1-104-658-91	ELECT 100uF	20% 10V
C2021	1-162-974-11	CERAMIC CHIP 0.01uF	50V	C2064	1-107-826-11	CERAMIC CHIP 0.1uF	10% 16V
C2022	1-162-974-11	CERAMIC CHIP 0.01uF	50V	C2065	1-107-826-11	CERAMIC CHIP 0.1uF	10% 16V
C2023	1-162-974-11	CERAMIC CHIP 0.01uF	50V	C2066	1-117-720-11	CERAMIC CHIP 4.7uF	10V
C2024	1-162-974-11	CERAMIC CHIP 0.01uF	50V	C2067	1-107-826-11	CERAMIC CHIP 0.1uF	10% 16V
C2025	1-162-974-11	CERAMIC CHIP 0.01uF	50V			< CONNECTOR >	
C2026	1-107-826-11	CERAMIC CHIP 0.1uF	10% 16V	CN2001	1-770-385-11	CONNECTOR, BOARD TO BOARD 18P	
C2027	1-162-974-11	CERAMIC CHIP 0.01uF	50V	CN2003	1-770-406-11	CONNECTOR, BOARD TO BOARD 10P	
C2028	1-107-826-11	CERAMIC CHIP 0.1uF	10% 16V	CN2004	1-770-409-11	CONNECTOR, BOARD TO BOARD 16P	
C2029	1-162-974-11	CERAMIC CHIP 0.01uF	50V	CN2005	1-770-410-11	CONNECTOR, BOARD TO BOARD 18P	
C2030	1-162-974-11	CERAMIC CHIP 0.01uF	50V	CN2006	1-770-411-11	CONNECTOR, BOARD TO BOARD 20P	
C2031	1-117-720-11	CERAMIC CHIP 4.7uF	10V	CN2007	1-785-125-21	CONNECTOR 6P	
C2032	1-107-826-11	CERAMIC CHIP 0.1uF	10% 16V	CN2008	1-770-406-11	CONNECTOR, BOARD TO BOARD 10P	
C2033	1-107-826-11	CERAMIC CHIP 0.1uF	10% 16V	CN2009	1-770-385-11	CONNECTOR, BOARD TO BOARD 18P	
C2034	1-107-826-11	CERAMIC CHIP 0.1uF	10% 16V	CN2010	1-770-383-11	CONNECTOR, BOARD TO BOARD 14P	
C2035	1-117-720-11	CERAMIC CHIP 4.7uF	10V	CN2011	1-770-384-21	CONNECTOR, BOARD TO BOARD 16P	
C2036	1-107-826-11	CERAMIC CHIP 0.1uF	10% 16V	CN2012	1-784-930-11	PIN, CONNECTOR 15P	
C2037	1-126-382-11	ELECT 100uF	20% 16V	CN2013	1-779-799-11	PIN, CONNECTOR 9P	
C2038	1-107-826-11	CERAMIC CHIP 0.1uF	10% 16V	CN2014	1-784-928-11	PIN, CONNECTOR 13P	
C2039	1-107-826-11	CERAMIC CHIP 0.1uF	10% 16V				

# STR-DA5300ES

## CONTROL

Ref. No.	Part No.	Description	Remark	Ref. No.	Part No.	Description	Remark
< DIODE >				R2022	1-216-809-11	METAL CHIP	100 5% 1/10W
D2001	8-719-060-48	DIODE RB751V-40TE-17		R2023	1-216-809-11	METAL CHIP	100 5% 1/10W
D2002	6-501-193-01	DIODE 1SS355WTE-17		R2024	1-216-825-11	METAL CHIP	2.2K 5% 1/10W
D2003	6-501-193-01	DIODE 1SS355WTE-17		R2025	1-216-809-11	METAL CHIP	100 5% 1/10W
D2004	6-501-193-01	DIODE 1SS355WTE-17		R2026	1-216-833-11	METAL CHIP	10K 5% 1/10W
< FERRITE BEAD >				R2027	1-216-809-11	METAL CHIP	100 5% 1/10W
FB2001	1-469-152-11	FERRITE, EMI (SMD) (2012)		R2028	1-216-809-11	METAL CHIP	100 5% 1/10W
FB2002	1-469-152-11	FERRITE, EMI (SMD) (2012)		R2029	1-216-809-11	METAL CHIP	100 5% 1/10W
FB2003	1-469-152-11	FERRITE, EMI (SMD) (2012)		R2030	1-216-809-11	METAL CHIP	100 5% 1/10W
FB2004	1-469-152-11	FERRITE, EMI (SMD) (2012)		R2031	1-216-809-11	METAL CHIP	100 5% 1/10W
FB2005	1-469-152-11	FERRITE, EMI (SMD) (2012)		R2032	1-216-809-11	METAL CHIP	100 5% 1/10W
FB2006	1-469-152-11	FERRITE, EMI (SMD) (2012)		R2033	1-216-809-11	METAL CHIP	100 5% 1/10W
FB2007	1-469-152-11	FERRITE, EMI (SMD) (2012)		R2034	1-216-833-11	METAL CHIP	10K 5% 1/10W
FB2008	1-469-152-11	FERRITE, EMI (SMD) (2012)		R2035	1-216-809-11	METAL CHIP	100 5% 1/10W
FB2009	1-469-152-11	FERRITE, EMI (SMD) (2012)		R2036	1-216-809-11	METAL CHIP	100 5% 1/10W
< IC >				R2037	1-216-809-11	METAL CHIP	100 5% 1/10W
IC2001	6-706-487-01	IC TC7SH08FU (T5RSOYJF)		R2039	1-216-809-11	METAL CHIP	100 5% 1/10W
IC2002	6-706-478-01	IC TC7SET08FU (T5RSQJF)		R2040	1-216-833-11	METAL CHIP	10K 5% 1/10W
IC2003	6-807-421-01	IC MB91F467RA-07A53ES-X103		R2041	1-216-833-11	METAL CHIP	10K 5% 1/10W
IC2004	8-759-058-62	IC TC7S08FU (TE85R)		R2042	1-216-809-11	METAL CHIP	100 5% 1/10W
IC2005	6-702-913-01	IC S-80929CNMC-G8ZT2G		R2043	1-216-809-11	METAL CHIP	100 5% 1/10W
IC2006	8-759-277-63	IC TC7W14FU (TE12R)		R2044	1-216-833-11	METAL CHIP	10K 5% 1/10W
IC2007	6-704-006-01	IC BR24L64F-WE2		R2045	1-216-833-11	METAL CHIP	10K 5% 1/10W
IC2008	6-705-468-01	IC BA33BC0FP-E2		R2046	1-216-833-11	METAL CHIP	10K 5% 1/10W
IC2009	8-759-277-63	IC TC7W14FU (TE12R)		R2047	1-216-833-11	METAL CHIP	10K 5% 1/10W
IC2010	8-759-524-09	IC TC74VHC153FT (EL)		R2048	1-216-864-11	SHORT CHIP	0 (AEP, ECE, UK) (US, CND)
IC2012	8-759-679-36	IC TC7WT125FU (TE12R)		R2049	1-216-833-11	METAL CHIP	10K 5% 1/10W
IC2013	6-706-487-01	IC TC7SH08FU (T5RSOYJF)		R2050	1-216-833-11	METAL CHIP	10K 5% 1/10W
< TRANSISTOR >				R2051	1-216-809-11	METAL CHIP	100 5% 1/10W
Q2001	8-729-216-22	TRANSISTOR 2SA1162-G		R2052	1-216-809-11	METAL CHIP	100 5% 1/10W
Q2002	8-729-024-91	TRANSISTOR 2SC2712-GL-TE85L		R2053	1-216-809-11	METAL CHIP	100 5% 1/10W
Q2003	8-729-024-91	TRANSISTOR 2SC2712-GL-TE85L		R2054	1-216-809-11	METAL CHIP	100 5% 1/10W
Q2004	8-729-027-43	TRANSISTOR DTC114EKA-T146		R2055	1-216-809-11	METAL CHIP	100 5% 1/10W
< RESISTOR >				R2056	1-216-809-11	METAL CHIP	100 5% 1/10W
R2002	1-216-864-11	SHORT CHIP	0	R2057	1-216-809-11	METAL CHIP	100 5% 1/10W
R2003	1-216-833-11	METAL CHIP	10K 5%	R2058	1-216-809-11	METAL CHIP	100 5% 1/10W
R2004	1-216-809-11	METAL CHIP	100 5%	R2059	1-216-809-11	METAL CHIP	100 5% 1/10W
R2005	1-216-821-11	METAL CHIP	1K 5%	R2060	1-216-809-11	METAL CHIP	100 5% 1/10W
R2006	1-216-809-11	METAL CHIP	100 5%	R2061	1-216-809-11	METAL CHIP	100 5% 1/10W
R2007	1-216-809-11	METAL CHIP	100 5%	R2062	1-216-809-11	METAL CHIP	100 5% 1/10W
R2008	1-216-837-11	METAL CHIP	22K 5%	R2063	1-216-809-11	METAL CHIP	100 5% 1/10W
R2009	1-216-837-11	METAL CHIP	22K 5%	R2064	1-216-809-11	METAL CHIP	100 5% 1/10W
R2010	1-216-833-11	METAL CHIP	10K 5%	R2065	1-216-809-11	METAL CHIP	100 5% 1/10W
R2011	1-216-685-11	METAL CHIP	27K 0.5%	R2066	1-216-809-11	METAL CHIP	100 5% 1/10W
R2012	1-216-813-11	METAL CHIP	220 5%	R2067	1-216-809-11	METAL CHIP	100 5% 1/10W
R2013	1-216-805-11	METAL CHIP	47 5%	R2068	1-216-809-11	METAL CHIP	100 5% 1/10W
R2014	1-216-809-11	METAL CHIP	100 5%	R2069	1-216-809-11	METAL CHIP	100 5% 1/10W
R2015	1-216-809-11	METAL CHIP	100 5%	R2070	1-216-833-11	METAL CHIP	10K 5% 1/10W
R2016	1-216-809-11	METAL CHIP	100 5%	R2071	1-216-829-11	METAL CHIP	4.7K 5% 1/10W
R2017	1-216-833-11	METAL CHIP	10K 5%	R2072	1-216-833-11	METAL CHIP	10K 5% 1/10W
R2019	1-216-833-11	METAL CHIP	10K 5%	R2073	1-216-833-11	METAL CHIP	10K 5% 1/10W
R2020	1-216-809-11	METAL CHIP	100 5%	R2074	1-216-833-11	METAL CHIP	10K 5% 1/10W
R2021	1-216-809-11	METAL CHIP	100 5%	R2075	1-216-833-11	METAL CHIP	10K 5% 1/10W
				R2076	1-216-833-11	METAL CHIP	10K 5% 1/10W
				R2077	1-216-833-11	METAL CHIP	10K 5% 1/10W
				R2078	1-216-833-11	METAL CHIP	10K 5% 1/10W



# STR-DA5300ES

**CONTROL**   **DIGITAL**

Ref. No.	Part No.	Description	Remark
		< VIBRATOR >	
X2001	1-781-646-21	VIBRATOR, CERAMIC (4MHz)	
*****			
	A-1252-342-A	DIGITAL BOARD, COMPLETE (US, CND)	
	A-1252-343-A	DIGITAL BOARD, COMPLETE (AEP, ECE, UK)	
*****			
		< CAPACITOR >	
C2201	1-107-826-11	CERAMIC CHIP 0.1uF	10% 16V
C2202	1-107-826-11	CERAMIC CHIP 0.1uF	10% 16V
C2203	1-107-826-11	CERAMIC CHIP 0.1uF	10% 16V
C2204	1-107-826-11	CERAMIC CHIP 0.1uF	10% 16V
C2205	1-107-826-11	CERAMIC CHIP 0.1uF	10% 16V
C2206	1-107-826-11	CERAMIC CHIP 0.1uF	10% 16V
C2207	1-112-080-11	ELECT 470uF	20% 10V
C2208	1-162-970-11	CERAMIC CHIP 0.01uF	10% 25V
C2209	1-107-826-11	CERAMIC CHIP 0.1uF	10% 16V
C2210	1-112-089-11	ELECT 47uF	20% 25V
C2211	1-107-826-11	CERAMIC CHIP 0.1uF	10% 16V
C2212	1-112-089-11	ELECT 47uF	20% 25V
C2213	1-107-826-11	CERAMIC CHIP 0.1uF	10% 16V
C2214	1-112-089-11	ELECT 47uF	20% 25V
C2215	1-107-826-11	CERAMIC CHIP 0.1uF	10% 16V
C2216	1-107-826-11	CERAMIC CHIP 0.1uF	10% 16V
C2217	1-107-826-11	CERAMIC CHIP 0.1uF	10% 16V
C2221	1-112-080-11	ELECT 470uF	20% 10V
C2222	1-107-826-11	CERAMIC CHIP 0.1uF	10% 16V
C2223	1-107-826-11	CERAMIC CHIP 0.1uF	10% 16V
C2224	1-107-826-11	CERAMIC CHIP 0.1uF	10% 16V
C2225	1-162-916-11	CERAMIC CHIP 12PF	5% 50V
C2226	1-162-916-11	CERAMIC CHIP 12PF	5% 50V
C2227	1-107-826-11	CERAMIC CHIP 0.1uF	10% 16V
C2228	1-107-826-11	CERAMIC CHIP 0.1uF	10% 16V
C2229	1-107-826-11	CERAMIC CHIP 0.1uF	10% 16V
C2230	1-112-100-11	ELECT 10uF	20% 50V
C2231	1-112-080-11	ELECT 470uF	20% 10V
C2232	1-107-826-11	CERAMIC CHIP 0.1uF	10% 16V
C2233	1-107-826-11	CERAMIC CHIP 0.1uF	10% 16V
C2234	1-112-083-11	ELECT 100uF	20% 16V
			(US, CND)
C2234	1-114-571-91	ELECT 470uF	20% 10V
			(AEP, ECE, UK)
C2235	1-164-227-11	CERAMIC CHIP 0.022uF	10% 25V
C2236	1-107-826-11	CERAMIC CHIP 0.1uF	10% 16V
C2237	1-162-927-11	CERAMIC CHIP 100PF	5% 50V
C2238	1-162-970-11	CERAMIC CHIP 0.01uF	10% 25V
C2239	1-112-079-11	ELECT 220uF	20% 10V
C2240	1-112-410-11	ELECT 330uF	20% 10V
C2241	1-112-079-11	ELECT 220uF	20% 10V
C2242	1-112-097-11	ELECT 2.2uF	20% 50V
C2243	1-115-467-11	CERAMIC CHIP 0.22uF	10% 10V
C2244	1-162-970-11	CERAMIC CHIP 0.01uF	10% 25V
C2245	1-162-970-11	CERAMIC CHIP 0.01uF	10% 25V
C2246	1-162-970-11	CERAMIC CHIP 0.01uF	10% 25V
C2247	1-107-826-11	CERAMIC CHIP 0.1uF	10% 16V
C2248	1-107-826-11	CERAMIC CHIP 0.1uF	10% 16V
C2249	1-107-826-11	CERAMIC CHIP 0.1uF	10% 16V

Ref. No.	Part No.	Description	Remark
C2250	1-107-826-11	CERAMIC CHIP 0.1uF	10% 16V
C2251	1-112-089-11	ELECT 47uF	20% 25V
			(US, CND)
C2251	1-114-571-91	ELECT 470uF	20% 10V
			(AEP, ECE, UK)
C2252	1-107-826-11	CERAMIC CHIP 0.1uF	10% 16V
C2253	1-112-083-11	ELECT 100uF	20% 16V
C2254	1-107-826-11	CERAMIC CHIP 0.1uF	10% 16V
C2255	1-107-826-11	CERAMIC CHIP 0.1uF	10% 16V
C2256	1-100-669-11	ELECT CHIP 100uF	20% 10V
C2257	1-107-826-11	CERAMIC CHIP 0.1uF	10% 16V
C2258	1-100-669-11	ELECT CHIP 100uF	20% 10V
C2259	1-107-826-11	CERAMIC CHIP 0.1uF	10% 16V
C2260	1-107-826-11	CERAMIC CHIP 0.1uF	10% 16V
C2261	1-107-826-11	CERAMIC CHIP 0.1uF	10% 16V
C2262	1-112-083-11	ELECT 100uF	20% 16V
C2263	1-112-075-11	ELECT CHIP 47uF	20% 16V
C2264	1-112-075-11	ELECT CHIP 47uF	20% 16V
C2265	1-112-096-11	ELECT 1uF	20% 50V
C2266	1-107-826-11	CERAMIC CHIP 0.1uF	10% 16V
C2267	1-107-826-11	CERAMIC CHIP 0.1uF	10% 16V
C2268	1-107-826-11	CERAMIC CHIP 0.1uF	10% 16V
C2270	1-162-970-11	CERAMIC CHIP 0.01uF	10% 25V
C2271	1-112-114-11	ELECT 22uF	20% 50V
			(US, CND)
C2271	1-114-275-91	ELECT 220uF	20% 16V
			(AEP, ECE, UK)
C2272	1-112-083-11	ELECT 100uF	20% 16V
			(US, CND)
C2272	1-114-571-91	ELECT 470uF	20% 10V
			(AEP, ECE, UK)
C2273	1-112-114-11	ELECT 22uF	20% 50V
			(US, CND)
C2273	1-114-275-91	ELECT 220uF	20% 16V
			(AEP, ECE, UK)
C2274	1-115-416-11	CERAMIC CHIP 0.001uF	5% 25V
C2275	1-137-429-11	MYLAR 270PF	5% 50V
C2276	1-137-457-11	MYLAR 0.0027uF	5% 100V
C2277	1-112-100-11	ELECT 10uF	20% 50V
C2278	1-112-100-11	ELECT 10uF	20% 50V
C2279	1-112-083-11	ELECT 100uF	20% 16V
			(US, CND)
C2279	1-114-571-91	ELECT 470uF	20% 10V
			(AEP, ECE, UK)
C2280	1-107-826-11	CERAMIC CHIP 0.1uF	10% 16V
C2281	1-107-826-11	CERAMIC CHIP 0.1uF	10% 16V
C2282	1-112-100-11	ELECT 10uF	20% 50V
C2283	1-115-416-11	CERAMIC CHIP 0.001uF	5% 25V
C2284	1-107-826-11	CERAMIC CHIP 0.1uF	10% 16V
C2285	1-137-457-11	MYLAR 0.0027uF	5% 100V
C2286	1-137-429-11	MYLAR 270PF	5% 50V
C2287	1-107-826-11	CERAMIC CHIP 0.1uF	10% 16V
C2288	1-107-826-11	CERAMIC CHIP 0.1uF	10% 16V
C2289	1-162-927-11	CERAMIC CHIP 100PF	5% 50V
C2290	1-107-826-11	CERAMIC CHIP 0.1uF	10% 16V
C2291	1-115-416-11	CERAMIC CHIP 0.001uF	5% 25V
C2292	1-137-429-11	MYLAR 270PF	5% 50V
C2293	1-137-457-11	MYLAR 0.0027uF	5% 100V
C2294	1-107-826-11	CERAMIC CHIP 0.1uF	10% 16V

Ref. No.	Part No.	Description	Remark	Ref. No.	Part No.	Description	Remark
C2295	1-112-100-11	ELECT	10uF 20% 50V	FB2204	1-469-139-21	FERRITE, EMI (SMD) (2012)	
C2296	1-112-100-11	ELECT	10uF 20% 50V	FB2205	1-469-152-11	FERRITE, EMI (SMD) (2012)	
C2297	1-115-416-11	CERAMIC CHIP	0.001uF 5% 25V				
C2298	1-137-457-11	MYLAR	0.0027uF 5% 100V	FB2206	1-469-139-21	FERRITE, EMI (SMD) (2012)	
				FB2207	1-469-152-11	FERRITE, EMI (SMD) (2012)	
C2299	1-137-429-11	MYLAR	270PF 5% 50V	FB2208	1-469-152-11	FERRITE, EMI (SMD) (2012)	
C2300	1-115-416-11	CERAMIC CHIP	0.001uF 5% 25V	FB2209	1-469-152-11	FERRITE, EMI (SMD) (2012)	
C2301	1-137-429-11	MYLAR	270PF 5% 50V	FB2210	1-469-152-11	FERRITE, EMI (SMD) (2012)	
C2302	1-137-457-11	MYLAR	0.0027uF 5% 100V				
C2303	1-112-100-11	ELECT	10uF 20% 50V	FB2211	1-469-152-11	FERRITE, EMI (SMD) (2012)	
				FB2212	1-469-152-11	FERRITE, EMI (SMD) (2012)	
C2304	1-112-100-11	ELECT	10uF 20% 50V	FB2213	1-469-152-11	FERRITE, EMI (SMD) (2012)	
C2305	1-115-416-11	CERAMIC CHIP	0.001uF 5% 25V	FB2214	1-469-152-11	FERRITE, EMI (SMD) (2012)	
C2306	1-137-457-11	MYLAR	0.0027uF 5% 100V	FB2215	1-469-152-11	FERRITE, EMI (SMD) (2012)	
C2307	1-137-429-11	MYLAR	270PF 5% 50V				
C2308	1-107-826-11	CERAMIC CHIP	0.1uF 10% 16V	FB2216	1-469-152-11	FERRITE, EMI (SMD) (2012)	
						< IC >	
C2309	1-115-416-11	CERAMIC CHIP	0.001uF 5% 25V	IC2201	6-600-466-01	IC TORX147L (SONY) (DIGITAL ASSIGNABLE (INPUT ONLY) OPTICAL VIDEO 1 IN)	
C2310	1-137-429-11	MYLAR	270PF 5% 50V	IC2202	6-600-466-01	IC TORX147L (SONY) (DIGITAL ASSIGNABLE (INPUT ONLY) OPTICAL SAT/CATV IN)	
C2311	1-137-457-11	MYLAR	0.0027uF 5% 100V	IC2203	6-600-466-01	IC TORX147L (SONY) (DIGITAL ASSIGNABLE (INPUT ONLY) OPTICAL TAPE/GD-R IN)	
C2312	1-107-826-11	CERAMIC CHIP	0.1uF 10% 16V	IC2204	6-600-466-01	IC TORX147L (SONY) (DIGITAL ASSIGNABLE (INPUT ONLY) OPTICAL MD/DAT IN)	
C2313	1-107-826-11	CERAMIC CHIP	0.1uF 10% 16V	IC2205	6-600-461-11	IC TOTX147L (R) (DIGITAL ASSIGNABLE (INPUT ONLY) OPTICAL MD/DAT OUT)	
C2314	1-112-100-11	ELECT	10uF 20% 50V				
C2315	1-162-970-11	CERAMIC CHIP	0.01uF 10% 25V	IC2206	8-759-058-62	IC TC7S08FU (TE85R)	
C2316	1-112-100-11	ELECT	10uF 20% 50V	IC2207	8-759-236-19	IC TC74HC151AF (EL)	
C2317	1-115-416-11	CERAMIC CHIP	0.001uF 5% 25V	IC2208	6-708-025-01	IC LC89057W-VF4A-E	
C2318	1-137-457-11	MYLAR	0.0027uF 5% 100V	IC2209	8-759-233-64	IC TC74HCU04AF	
				IC2210	8-759-268-29	IC SN74HC595ANS	
C2319	1-137-429-11	MYLAR	270PF 5% 50V	IC2211	8-759-524-48	IC TC74VHC393FT (EL)	
C2320	1-107-826-11	CERAMIC CHIP	0.1uF 10% 16V	IC2212	6-707-870-01	IC TC74VHC157FT (EKJ)	
C2321	1-107-826-11	CERAMIC CHIP	0.1uF 10% 16V	IC2213	6-707-870-01	IC TC74VHC157FT (EKJ)	
C2322	1-162-927-11	CERAMIC CHIP	100PF 5% 50V	IC2214	6-707-870-01	IC TC74VHC157FT (EKJ)	
C2323	1-107-826-11	CERAMIC CHIP	0.1uF 10% 16V	IC2215	6-705-312-01	IC S-T111B33MC-OGSTFG	
C2324	1-107-826-11	CERAMIC CHIP	0.1uF 10% 16V	IC2216	8-759-524-48	IC TC74VHC393FT (EL)	
C2325	1-107-826-11	CERAMIC CHIP	0.1uF 10% 16V	IC2217	6-711-060-01	IC CS5340-CZZR	
C2326	1-112-071-11	ELECT CHIP	220uF 20% 6.3V	IC2218	6-708-785-01	IC PCM1609APT	
C2327	1-107-826-11	CERAMIC CHIP	0.1uF 10% 16V	IC2219	8-759-710-97	IC NJM4565M-D	
C2328	1-107-826-11	CERAMIC CHIP	0.1uF 10% 16V	IC2220	8-759-710-97	IC NJM4565M-D	
C2329	1-100-153-91	CERAMIC CHIP	220PF 5% 100V	IC2221	8-759-710-97	IC NJM4565M-D	
C2330	1-112-071-11	ELECT CHIP	220uF 20% 6.3V	IC2222	8-759-710-97	IC NJM4565M-D	
C2331	1-107-826-11	CERAMIC CHIP	0.1uF 10% 16V	IC2223	6-711-059-01	IC SM5921AF-G	
C2336	1-162-966-11	CERAMIC CHIP	0.0022uF 10% 50V	IC2224	6-703-791-01	IC MSM56V16160F-8T3FM1	
C2337	1-162-966-11	CERAMIC CHIP	0.0022uF 10% 50V	IC2225	6-600-466-01	IC TORX147L (SONY) (TV OPTICAL IN)	
C2338	1-114-571-91	ELECT	470uF 20% 10V (AEP, ECE, UK)			< JACK >	
				J2201	1-821-163-11	JACK, PIN 3P (DIGITAL ASSIGNABLE (INPUT ONLY) COAXIAL VIDEO 2/DVD/BD/SA-CD/CD IN)	
						< TRANSISTOR >	
				Q2201	8-729-024-91	TRANSISTOR 2SC2712-GL-TE85L	
				Q2202	8-729-024-91	TRANSISTOR 2SC2712-GL-TE85L	
				Q2203	8-729-024-91	TRANSISTOR 2SC2712-GL-TE85L	
				Q2204	8-729-024-91	TRANSISTOR 2SC2712-GL-TE85L	
				Q2205	8-729-027-43	TRANSISTOR DTC114EKA-T146	
				Q2206	8-729-024-91	TRANSISTOR 2SC2712-GL-TE85L	
				Q2207	8-729-024-91	TRANSISTOR 2SC2712-GL-TE85L	
FB2201	1-469-152-11	FERRITE, EMI (SMD) (2012)					
FB2202	1-469-152-11	FERRITE, EMI (SMD) (2012)					
FB2203	1-469-139-21	FERRITE, EMI (SMD) (2012)					

# STR-DA5300ES

## DIGITAL

Ref. No.	Part No.	Description	Remark	Ref. No.	Part No.	Description	Remark
< RESISTOR >							
R2201	1-216-821-11	METAL CHIP	1K 5% 1/10W	R2257	1-216-809-11	METAL CHIP	100 5% 1/10W
R2202	1-216-833-11	METAL CHIP	10K 5% 1/10W	R2258	1-216-809-11	METAL CHIP	100 5% 1/10W
R2203	1-208-755-11	METAL CHIP	75 0.5% 1/10W	R2259	1-216-805-11	METAL CHIP	47 5% 1/10W
R2204	1-208-755-11	METAL CHIP	75 0.5% 1/10W	R2260	1-216-805-11	METAL CHIP	47 5% 1/10W
R2205	1-208-755-11	METAL CHIP	75 0.5% 1/10W	R2261	1-216-805-11	METAL CHIP	47 5% 1/10W
R2206	1-216-809-11	METAL CHIP	100 5% 1/10W	R2262	1-216-805-11	METAL CHIP	47 5% 1/10W
R2207	1-216-809-11	METAL CHIP	100 5% 1/10W	R2263	1-216-833-11	METAL CHIP	10K 5% 1/10W
R2208	1-216-809-11	METAL CHIP	100 5% 1/10W	R2264	1-216-833-11	METAL CHIP	10K 5% 1/10W
R2209	1-216-809-11	METAL CHIP	100 5% 1/10W	R2265	1-216-809-11	METAL CHIP	100 5% 1/10W
R2210	1-216-809-11	METAL CHIP	100 5% 1/10W	R2266	1-216-809-11	METAL CHIP	100 5% 1/10W
R2211	1-216-809-11	METAL CHIP	100 5% 1/10W	R2267	1-216-809-11	METAL CHIP	100 5% 1/10W
R2212	1-216-809-11	METAL CHIP	100 5% 1/10W	R2268	1-216-813-11	METAL CHIP	220 5% 1/10W
R2213	1-216-833-11	METAL CHIP	10K 5% 1/10W	R2269	1-216-809-11	METAL CHIP	100 5% 1/10W
R2214	1-208-774-11	METAL CHIP	470 0.5% 1/10W	R2270	1-216-805-11	METAL CHIP	47 5% 1/10W
R2215	1-208-774-11	METAL CHIP	470 0.5% 1/10W	R2271	1-216-805-11	METAL CHIP	47 5% 1/10W
R2216	1-208-774-11	METAL CHIP	470 0.5% 1/10W	R2272	1-216-805-11	METAL CHIP	47 5% 1/10W
R2217	1-218-760-11	METAL CHIP	220K 0.5% 1/10W	R2273	1-216-805-11	METAL CHIP	47 5% 1/10W
R2218	1-218-760-11	METAL CHIP	220K 0.5% 1/10W	R2274	1-216-805-11	METAL CHIP	47 5% 1/10W
R2219	1-218-760-11	METAL CHIP	220K 0.5% 1/10W	R2275	1-216-797-11	METAL CHIP	10 5% 1/10W
R2220	1-216-809-11	METAL CHIP	100 5% 1/10W	R2276	1-216-809-11	METAL CHIP	100 5% 1/10W
R2221	1-208-462-41	RES-CHIP	10K 2% 1/10W	R2277	1-216-797-11	METAL CHIP	10 5% 1/10W
R2222	1-208-462-41	RES-CHIP	10K 2% 1/10W	R2278	1-216-797-11	METAL CHIP	10 5% 1/10W
R2223	1-208-462-41	RES-CHIP	10K 2% 1/10W	R2279	1-216-797-11	METAL CHIP	10 5% 1/10W
R2224	1-216-809-11	METAL CHIP	100 5% 1/10W	R2280	1-216-809-11	METAL CHIP	100 5% 1/10W
R2225	1-216-833-11	METAL CHIP	10K 5% 1/10W	R2281	1-216-809-11	METAL CHIP	100 5% 1/10W
R2226	1-216-833-11	METAL CHIP	10K 5% 1/10W	R2282	1-216-809-11	METAL CHIP	100 5% 1/10W
R2227	1-216-809-11	METAL CHIP	100 5% 1/10W	R2283	1-216-809-11	METAL CHIP	100 5% 1/10W
R2228	1-216-809-11	METAL CHIP	100 5% 1/10W	R2284	1-216-809-11	METAL CHIP	100 5% 1/10W
R2229	1-216-833-11	METAL CHIP	10K 5% 1/10W	R2285	1-216-805-11	METAL CHIP	47 5% 1/10W
R2230	1-216-809-11	METAL CHIP	100 5% 1/10W	R2286	1-216-809-11	METAL CHIP	100 5% 1/10W
R2231	1-216-833-11	METAL CHIP	10K 5% 1/10W	R2287	1-216-833-11	METAL CHIP	10K 5% 1/10W
R2232	1-216-833-11	METAL CHIP	10K 5% 1/10W	R2288	1-216-809-11	METAL CHIP	100 5% 1/10W
R2233	1-216-857-11	METAL CHIP	1M 5% 1/10W	R2289	1-216-809-11	METAL CHIP	100 5% 1/10W
R2234	1-216-809-11	METAL CHIP	100 5% 1/10W	R2290	1-216-809-11	METAL CHIP	100 5% 1/10W
R2235	1-216-813-11	METAL CHIP	220 5% 1/10W	R2291	1-216-833-11	METAL CHIP	10K 5% 1/10W
R2237	1-216-809-11	METAL CHIP	100 5% 1/10W	R2292	1-216-821-11	METAL CHIP	1K 5% 1/10W
R2238	1-216-815-11	METAL CHIP	330 5% 1/10W	R2293	1-216-835-11	METAL CHIP	15K 5% 1/10W
R2239	1-216-809-11	METAL CHIP	100 5% 1/10W	R2294	1-216-809-11	METAL CHIP	100 5% 1/10W
R2240	1-216-805-11	METAL CHIP	47 5% 1/10W	R2295	1-216-821-11	METAL CHIP	1K 5% 1/10W
R2241	1-216-809-11	METAL CHIP	100 5% 1/10W	R2296	1-216-832-11	METAL CHIP	8.2K 5% 1/10W
R2242	1-216-805-11	METAL CHIP	47 5% 1/10W	R2297	1-216-805-11	METAL CHIP	47 5% 1/10W
R2243	1-216-635-11	METAL CHIP	220 0.5% 1/10W	R2298	1-216-845-11	METAL CHIP	100K 5% 1/10W
R2244	1-208-526-41	RES-CHIP	47K 2% 1/10W	R2299	1-216-845-11	METAL CHIP	100K 5% 1/10W
R2245	1-216-603-11	METAL CHIP	10 0.5% 1/10W	R2300	1-216-805-11	METAL CHIP	47 5% 1/10W
R2246	1-216-815-11	METAL CHIP	330 5% 1/10W	R2301	1-216-832-11	METAL CHIP	8.2K 5% 1/10W
R2247	1-216-833-11	METAL CHIP	10K 5% 1/10W	R2302	1-216-821-11	METAL CHIP	1K 5% 1/10W
R2248	1-216-821-11	METAL CHIP	1K 5% 1/10W	R2303	1-216-833-11	METAL CHIP	10K 5% 1/10W
R2249	1-216-821-11	METAL CHIP	1K 5% 1/10W	R2304	1-216-835-11	METAL CHIP	15K 5% 1/10W
R2250	1-216-833-11	METAL CHIP	10K 5% 1/10W	R2305	1-216-809-11	METAL CHIP	100 5% 1/10W
R2251	1-216-809-11	METAL CHIP	100 5% 1/10W	R2306	1-216-821-11	METAL CHIP	1K 5% 1/10W
R2252	1-216-809-11	METAL CHIP	100 5% 1/10W	R2307	1-216-835-11	METAL CHIP	15K 5% 1/10W
R2253	1-216-830-11	METAL CHIP	5.6K 5% 1/10W	R2308	1-216-809-11	METAL CHIP	100 5% 1/10W
R2254	1-216-817-11	METAL CHIP	470 5% 1/10W	R2309	1-216-821-11	METAL CHIP	1K 5% 1/10W
R2255	1-216-813-11	METAL CHIP	220 5% 1/10W	R2310	1-216-809-11	METAL CHIP	100 5% 1/10W
R2256	1-216-809-11	METAL CHIP	100 5% 1/10W	R2311	1-216-809-11	METAL CHIP	100 5% 1/10W
R2312	1-216-832-11	METAL CHIP	8.2K 5% 1/10W	R2312	1-216-832-11	METAL CHIP	8.2K 5% 1/10W
R2313	1-216-845-11	METAL CHIP	100K 5% 1/10W	R2313	1-216-845-11	METAL CHIP	100K 5% 1/10W
R2314	1-216-845-11	METAL CHIP	100K 5% 1/10W	R2314	1-216-845-11	METAL CHIP	100K 5% 1/10W

Ref. No.	Part No.	Description	Remark	Ref. No.	Part No.	Description	Remark
R2315	1-216-832-11	METAL CHIP	8.2K 5% 1/10W	R2372	1-216-809-11	METAL CHIP	100 5% 1/10W
R2316	1-216-821-11	METAL CHIP	1K 5% 1/10W	R2373	1-216-809-11	METAL CHIP	100 5% 1/10W
R2317	1-216-835-11	METAL CHIP	15K 5% 1/10W	R2374	1-216-809-11	METAL CHIP	100 5% 1/10W
R2318	1-216-809-11	METAL CHIP	100 5% 1/10W	R2375	1-216-833-11	METAL CHIP	10K 5% 1/10W
R2319	1-216-835-11	METAL CHIP	15K 5% 1/10W	R2376	1-216-833-11	METAL CHIP	10K 5% 1/10W
R2320	1-216-809-11	METAL CHIP	100 5% 1/10W	R2377	1-216-833-11	METAL CHIP	10K 5% 1/10W
R2321	1-216-821-11	METAL CHIP	1K 5% 1/10W	R2378	1-216-809-11	METAL CHIP	100 5% 1/10W
R2322	1-216-832-11	METAL CHIP	8.2K 5% 1/10W	R2379	1-216-833-11	METAL CHIP	10K 5% 1/10W
R2323	1-216-845-11	METAL CHIP	100K 5% 1/10W	R2380	1-216-833-11	METAL CHIP	10K 5% 1/10W
R2324	1-216-845-11	METAL CHIP	100K 5% 1/10W	R2381	1-216-797-11	METAL CHIP	10 5% 1/10W
R2325	1-216-832-11	METAL CHIP	8.2K 5% 1/10W	R2382	1-216-817-11	METAL CHIP	470 5% 1/10W
R2326	1-216-821-11	METAL CHIP	1K 5% 1/10W	R2383	1-216-797-11	METAL CHIP	10 5% 1/10W
R2327	1-216-835-11	METAL CHIP	15K 5% 1/10W	R2384	1-216-833-11	METAL CHIP	10K 5% 1/10W
R2328	1-216-809-11	METAL CHIP	100 5% 1/10W	R2385	1-216-833-11	METAL CHIP	10K 5% 1/10W
R2329	1-216-809-11	METAL CHIP	100 5% 1/10W	R2386	1-216-833-11	METAL CHIP	10K 5% 1/10W
R2330	1-216-809-11	METAL CHIP	100 5% 1/10W	R2387	1-216-809-11	METAL CHIP	100 5% 1/10W
R2331	1-216-809-11	METAL CHIP	100 5% 1/10W	R2388	1-216-853-11	METAL CHIP	470K 5% 1/10W
R2332	1-216-809-11	METAL CHIP	100 5% 1/10W	R2389	1-216-845-11	METAL CHIP	100K 5% 1/10W
R2333	1-216-809-11	METAL CHIP	100 5% 1/10W	R2390	1-216-853-11	METAL CHIP	470K 5% 1/10W
R2334	1-216-805-11	METAL CHIP	47 5% 1/10W	R2392	1-216-833-11	METAL CHIP	10K 5% 1/10W
R2335	1-216-805-11	METAL CHIP	47 5% 1/10W	R2393	1-216-841-11	METAL CHIP	47K 5% 1/10W
R2336	1-216-835-11	METAL CHIP	15K 5% 1/10W	R2394	1-216-841-11	METAL CHIP	47K 5% 1/10W
R2337	1-216-821-11	METAL CHIP	1K 5% 1/10W	R2395	1-216-809-11	METAL CHIP	100 5% 1/10W
R2338	1-216-832-11	METAL CHIP	8.2K 5% 1/10W	R2396	1-216-809-11	METAL CHIP	100 5% 1/10W
R2339	1-216-809-11	METAL CHIP	100 5% 1/10W	R2397	1-216-864-11	SHORT CHIP	0
R2340	1-216-809-11	METAL CHIP	100 5% 1/10W	R2398	1-216-864-11	SHORT CHIP	0
R2341	1-216-833-11	METAL CHIP	10K 5% 1/10W	R2501	1-216-864-11	SHORT CHIP	0
R2342	1-216-845-11	METAL CHIP	100K 5% 1/10W	R2502	1-216-864-11	SHORT CHIP	0
R2343	1-216-821-11	METAL CHIP	1K 5% 1/10W	R2503	1-216-864-11	SHORT CHIP	0
R2344	1-216-845-11	METAL CHIP	100K 5% 1/10W			< VIBRATOR >	
R2345	1-216-809-11	METAL CHIP	100 5% 1/10W	X2201	1-795-219-21	VIBRATOR, CRYSTAL (24.576MHz)	
R2346	1-216-809-11	METAL CHIP	100 5% 1/10W			*****	
R2347	1-216-832-11	METAL CHIP	8.2K 5% 1/10W	A-1252-433-A	DSP BOARD, COMPLETE	*****	
R2348	1-216-809-11	METAL CHIP	100 5% 1/10W			< CAPACITOR >	
R2349	1-216-821-11	METAL CHIP	1K 5% 1/10W	C5001	1-100-669-11	ELECT CHIP	100uF 20% 10V
R2350	1-216-809-11	METAL CHIP	100 5% 1/10W	C5006	1-107-826-11	CERAMIC CHIP	0.1uF 10% 16V
R2351	1-216-809-11	METAL CHIP	100 5% 1/10W	C5007	1-114-385-11	ELECT CHIP	470uF 20% 6.3V
R2352	1-216-809-11	METAL CHIP	100 5% 1/10W	C5009	1-162-915-11	CERAMIC CHIP	10PF 0.5PF 50V
R2353	1-216-809-11	METAL CHIP	100 5% 1/10W	C5010	1-162-915-11	CERAMIC CHIP	10PF 0.5PF 50V
R2354	1-216-835-11	METAL CHIP	15K 5% 1/10W	C5011	1-107-826-11	CERAMIC CHIP	0.1uF 10% 16V
R2355	1-216-809-11	METAL CHIP	100 5% 1/10W	C5012	1-107-826-11	CERAMIC CHIP	0.1uF 10% 16V
R2356	1-216-809-11	METAL CHIP	100 5% 1/10W	C5014	1-115-416-11	CERAMIC CHIP	0.001uF 5% 25V
R2357	1-216-809-11	METAL CHIP	100 5% 1/10W	C5019	1-117-370-11	CERAMIC CHIP	10uF 10V
R2358	1-216-805-11	METAL CHIP	47 5% 1/10W	C5023	1-107-826-11	CERAMIC CHIP	0.1uF 10% 16V
R2359	1-216-805-11	METAL CHIP	47 5% 1/10W	C5024	1-162-970-11	CERAMIC CHIP	0.01uF 10% 25V
R2360	1-216-809-11	METAL CHIP	100 5% 1/10W	C5025	1-162-970-11	CERAMIC CHIP	0.01uF 10% 25V
R2361	1-216-809-11	METAL CHIP	100 5% 1/10W	C5026	1-162-927-11	CERAMIC CHIP	100PF 5% 50V
R2362	1-216-809-11	METAL CHIP	100 5% 1/10W	C5028	1-107-826-11	CERAMIC CHIP	0.1uF 10% 16V
R2363	1-216-809-11	METAL CHIP	100 5% 1/10W	C5029	1-107-826-11	CERAMIC CHIP	0.1uF 10% 16V
R2364	1-216-809-11	METAL CHIP	100 5% 1/10W	C5030	1-107-826-11	CERAMIC CHIP	0.1uF 10% 16V
R2365	1-216-809-11	METAL CHIP	100 5% 1/10W	C5034	1-107-826-11	CERAMIC CHIP	0.1uF 10% 16V
R2366	1-216-809-11	METAL CHIP	100 5% 1/10W	C5036	1-117-370-11	CERAMIC CHIP	10uF 10V
R2367	1-216-809-11	METAL CHIP	100 5% 1/10W	C5040	1-107-826-11	CERAMIC CHIP	0.1uF 10% 16V
R2368	1-216-833-11	METAL CHIP	10K 5% 1/10W	C5041	1-107-826-11	CERAMIC CHIP	0.1uF 10% 16V
R2369	1-216-833-11	METAL CHIP	10K 5% 1/10W				
R2370	1-216-833-11	METAL CHIP	10K 5% 1/10W				
R2371	1-216-809-11	METAL CHIP	100 5% 1/10W				

# STR-DA5300ES

DSP

Ref. No.	Part No.	Description	Remark	Ref. No.	Part No.	Description	Remark
C5045	1-107-826-11	CERAMIC CHIP	0.1uF 10% 16V	C5234	1-107-826-11	CERAMIC CHIP	0.1uF 10% 16V
C5046	1-107-826-11	CERAMIC CHIP	0.1uF 10% 16V	C5236	1-117-370-11	CERAMIC CHIP	10uF 10V
C5049	1-107-826-11	CERAMIC CHIP	0.1uF 10% 16V	C5240	1-107-826-11	CERAMIC CHIP	0.1uF 10% 16V
C5050	1-107-826-11	CERAMIC CHIP	0.1uF 10% 16V	C5241	1-107-826-11	CERAMIC CHIP	0.1uF 10% 16V
C5053	1-117-370-11	CERAMIC CHIP	10uF 10V	C5244	1-107-826-11	CERAMIC CHIP	0.1uF 10% 16V
C5061	1-107-826-11	CERAMIC CHIP	0.1uF 10% 16V	C5245	1-107-826-11	CERAMIC CHIP	0.1uF 10% 16V
C5062	1-107-826-11	CERAMIC CHIP	0.1uF 10% 16V	C5246	1-107-826-11	CERAMIC CHIP	0.1uF 10% 16V
C5063	1-107-826-11	CERAMIC CHIP	0.1uF 10% 16V	C5247	1-107-826-11	CERAMIC CHIP	0.1uF 10% 16V
C5069	1-117-370-11	CERAMIC CHIP	10uF 10V	C5248	1-107-826-11	CERAMIC CHIP	0.1uF 10% 16V
C5071	1-107-826-11	CERAMIC CHIP	0.1uF 10% 16V	C5249	1-107-826-11	CERAMIC CHIP	0.1uF 10% 16V
C5073	1-107-826-11	CERAMIC CHIP	0.1uF 10% 16V	C5250	1-107-826-11	CERAMIC CHIP	0.1uF 10% 16V
C5074	1-107-826-11	CERAMIC CHIP	0.1uF 10% 16V	C5253	1-117-370-11	CERAMIC CHIP	10uF 10V
C5077	1-107-826-11	CERAMIC CHIP	0.1uF 10% 16V	C5261	1-107-826-11	CERAMIC CHIP	0.1uF 10% 16V
C5078	1-107-826-11	CERAMIC CHIP	0.1uF 10% 16V	C5262	1-107-826-11	CERAMIC CHIP	0.1uF 10% 16V
C5079	1-107-826-11	CERAMIC CHIP	0.1uF 10% 16V	C5263	1-107-826-11	CERAMIC CHIP	0.1uF 10% 16V
C5080	1-114-385-11	ELECT CHIP	470uF 20% 6.3V	C5269	1-117-370-11	CERAMIC CHIP	10uF 10V
C5081	1-114-385-11	ELECT CHIP	470uF 20% 6.3V	C5271	1-107-826-11	CERAMIC CHIP	0.1uF 10% 16V
C5085	1-117-370-11	CERAMIC CHIP	10uF 10V	C5273	1-107-826-11	CERAMIC CHIP	0.1uF 10% 16V
C5088	1-107-826-11	CERAMIC CHIP	0.1uF 10% 16V	C5274	1-107-826-11	CERAMIC CHIP	0.1uF 10% 16V
C5089	1-162-970-11	CERAMIC CHIP	0.01uF 10% 25V	C5277	1-107-826-11	CERAMIC CHIP	0.1uF 10% 16V
C5090	1-107-826-11	CERAMIC CHIP	0.1uF 10% 16V	C5278	1-107-826-11	CERAMIC CHIP	0.1uF 10% 16V
C5091	1-117-370-11	CERAMIC CHIP	10uF 10V	C5279	1-107-826-11	CERAMIC CHIP	0.1uF 10% 16V
C5092	1-107-826-11	CERAMIC CHIP	0.1uF 10% 16V	C5280	1-114-385-11	ELECT CHIP	470uF 20% 6.3V
C5093	1-107-826-11	CERAMIC CHIP	0.1uF 10% 16V	C5281	1-114-385-11	ELECT CHIP	470uF 20% 6.3V
C5094	1-107-826-11	CERAMIC CHIP	0.1uF 10% 16V	C5285	1-117-370-11	CERAMIC CHIP	10uF 10V
C5095	1-117-370-11	CERAMIC CHIP	10uF 10V	C5292	1-107-826-11	CERAMIC CHIP	0.1uF 10% 16V
C5096	1-107-826-11	CERAMIC CHIP	0.1uF 10% 16V	C5293	1-107-826-11	CERAMIC CHIP	0.1uF 10% 16V
C5097	1-107-826-11	CERAMIC CHIP	0.1uF 10% 16V	C5294	1-107-826-11	CERAMIC CHIP	0.1uF 10% 16V
C5098	1-107-826-11	CERAMIC CHIP	0.1uF 10% 16V	C5295	1-117-370-11	CERAMIC CHIP	10uF 10V
C5099	1-107-826-11	CERAMIC CHIP	0.1uF 10% 16V	C5296	1-107-826-11	CERAMIC CHIP	0.1uF 10% 16V
C5100	1-164-315-11	CERAMIC CHIP	470PF 5% 50V	C5297	1-107-826-11	CERAMIC CHIP	0.1uF 10% 16V
C5201	1-100-669-11	ELECT CHIP	100uF 20% 10V	< CONNECTOR >			
C5202	1-117-370-11	CERAMIC CHIP	10uF 10V	CN5001	1-815-136-21	CONNECTOR, BOARD TO BOARD	
C5203	1-107-826-11	CERAMIC CHIP	0.1uF 10% 16V	CN5204	1-785-125-21	CONNECTOR 6P	
C5205	1-107-826-11	CERAMIC CHIP	0.1uF 10% 16V	< DIODE >			
C5206	1-107-826-11	CERAMIC CHIP	0.1uF 10% 16V	D5001	6-501-193-01	DIODE 1SS355WTE-17	
C5207	1-114-385-11	ELECT CHIP	470uF 20% 6.3V	< FERRITE BEAD >			
C5208	1-107-826-11	CERAMIC CHIP	0.1uF 10% 16V	FB5001	1-469-152-11	FERRITE, EMI (SMD) (2012)	
C5209	1-117-370-11	CERAMIC CHIP	10uF 10V	FB5002	1-400-703-21	(3216, EMI FERRITE (SMD)	
C5210	1-117-370-11	CERAMIC CHIP	10uF 10V	FB5003	1-469-152-11	FERRITE, EMI (SMD) (2012)	
C5211	1-107-826-11	CERAMIC CHIP	0.1uF 10% 16V	FB5004	1-469-152-11	FERRITE, EMI (SMD) (2012)	
C5212	1-107-826-11	CERAMIC CHIP	0.1uF 10% 16V	FB5006	1-469-152-11	FERRITE, EMI (SMD) (2012)	
C5213	1-126-209-11	ELECT CHIP	100uF 20% 4V	FB5007	1-469-152-11	FERRITE, EMI (SMD) (2012)	
C5214	1-115-416-11	CERAMIC CHIP	0.001uF 5% 25V	FB5201	1-469-152-11	FERRITE, EMI (SMD) (2012)	
C5215	1-162-927-11	CERAMIC CHIP	100PF 5% 50V	FB5202	1-400-703-21	(3216, EMI FERRITE (SMD)	
C5216	1-107-826-11	CERAMIC CHIP	0.1uF 10% 16V	FB5204	1-469-152-11	FERRITE, EMI (SMD) (2012)	
C5218	1-107-826-11	CERAMIC CHIP	0.1uF 10% 16V	FB5205	1-469-152-11	FERRITE, EMI (SMD) (2012)	
C5219	1-117-370-11	CERAMIC CHIP	10uF 10V	FB5206	1-469-152-11	FERRITE, EMI (SMD) (2012)	
C5221	1-107-826-11	CERAMIC CHIP	0.1uF 10% 16V	FB5207	1-469-152-11	FERRITE, EMI (SMD) (2012)	
C5222	1-107-826-11	CERAMIC CHIP	0.1uF 10% 16V	FB5208	1-469-152-11	FERRITE, EMI (SMD) (2012)	
C5224	1-162-970-11	CERAMIC CHIP	0.01uF 10% 25V	< IC >			
C5225	1-162-970-11	CERAMIC CHIP	0.01uF 10% 25V	IC5001	6-705-308-01	IC SI-3010KM-TL	
C5226	1-162-927-11	CERAMIC CHIP	100PF 5% 50V	IC5002	(Not supplied)	IC ADSST-AVR-1132	
C5227	1-107-826-11	CERAMIC CHIP	0.1uF 10% 16V				
C5228	1-107-826-11	CERAMIC CHIP	0.1uF 10% 16V				
C5229	1-107-826-11	CERAMIC CHIP	0.1uF 10% 16V				
C5230	1-107-826-11	CERAMIC CHIP	0.1uF 10% 16V				
C5231	1-107-826-11	CERAMIC CHIP	0.1uF 10% 16V				

**Note:** IC5002 cannot exchange with single. When IC5002 is damaged, exchange the entire mounted board.



Ref. No.	Part No.	Description	Remark	Ref. No.	Part No.	Description	Remark
IC5006	6-807-374-04	IC S29AL008D70TFI010-EX4116		R5064	1-216-801-11	METAL CHIP	22 5% 1/10W
IC5007	6-710-529-01	IC IS61LV5128AL-10TLI		R5065	1-216-801-11	METAL CHIP	22 5% 1/10W
IC5009	6-701-992-01	IC SN74LVC573APWR		R5066	1-216-801-11	METAL CHIP	22 5% 1/10W
IC5010	6-701-992-01	IC SN74LVC573APWR		R5067	1-216-801-11	METAL CHIP	22 5% 1/10W
IC5012	6-706-492-01	IC TC7SHU04FU (T5RSOJF)		R5068	1-216-821-11	METAL CHIP	1K 5% 1/10W
IC5013	6-707-870-01	IC TC74VHC157FT (EKJ)		R5069	1-216-801-11	METAL CHIP	22 5% 1/10W
IC5201	6-705-308-01	IC SI-3010KM-TL		R5070	1-216-864-11	SHORT CHIP	0
IC5202	(Not supplied)	IC ADSST-AVR-1131		R5071	1-216-864-11	SHORT CHIP	0
IC5207	6-710-003-01	IC IS61LV12816L-8TL		R5072	1-216-864-11	SHORT CHIP	0
IC5208	6-807-422-01	IC MB91F353APMT-07A53DSP-X103		R5073	1-216-801-11	METAL CHIP	22 5% 1/10W
IC5209	6-701-992-01	IC SN74LVC573APWR		R5074	1-216-801-11	METAL CHIP	22 5% 1/10W
IC5210	6-701-992-01	IC SN74LVC573APWR		R5075	1-216-801-11	METAL CHIP	22 5% 1/10W
IC5211	8-759-831-52	IC TC7WH125FK (TE85R)		R5076	1-216-864-11	SHORT CHIP	0
IC5212	8-759-680-48	IC TC7WH157FK (TE85R)		R5077	1-216-864-11	SHORT CHIP	0
IC5213	6-807-854-01	IC SST25VF040B-07A53J-X101		R5078	1-216-864-11	SHORT CHIP	0
< RESISTOR >				R5096	1-216-864-11	SHORT CHIP	0
R5002	1-216-833-11	METAL CHIP	10K 5% 1/10W	R5097	1-216-801-11	METAL CHIP	22 5% 1/10W
R5003	1-216-821-11	METAL CHIP	1K 5% 1/10W	R5098	1-216-801-11	METAL CHIP	22 5% 1/10W
R5004	1-216-857-11	METAL CHIP	1M 5% 1/10W	R5202	1-216-833-11	METAL CHIP	10K 5% 1/10W
R5005	1-216-833-11	METAL CHIP	10K 5% 1/10W	R5204	1-216-833-11	METAL CHIP	10K 5% 1/10W
R5013	1-216-864-11	SHORT CHIP	0	R5205	1-216-833-11	METAL CHIP	10K 5% 1/10W
R5014	1-218-854-11	METAL CHIP	2K 0.5% 1/10W	R5208	1-216-833-11	METAL CHIP	10K 5% 1/10W
R5015	1-218-871-11	METAL CHIP	10K 0.5% 1/10W	R5209	1-216-833-11	METAL CHIP	10K 5% 1/10W
R5016	1-216-864-11	SHORT CHIP	0	R5212	1-216-833-11	METAL CHIP	10K 5% 1/10W
R5018	1-216-864-11	SHORT CHIP	0	R5213	1-216-864-11	SHORT CHIP	0
R5020	1-216-864-11	SHORT CHIP	0	R5214	1-218-854-11	METAL CHIP	2K 0.5% 1/10W
R5021	1-216-833-11	METAL CHIP	10K 5% 1/10W	R5215	1-218-871-11	METAL CHIP	10K 0.5% 1/10W
R5023	1-216-805-11	METAL CHIP	47 5% 1/10W	R5216	1-216-864-11	SHORT CHIP	0
R5024	1-216-821-11	METAL CHIP	1K 5% 1/10W	R5218	1-216-864-11	SHORT CHIP	0
R5025	1-216-805-11	METAL CHIP	47 5% 1/10W	R5220	1-216-864-11	SHORT CHIP	0
R5026	1-216-801-11	METAL CHIP	22 5% 1/10W	R5221	1-216-833-11	METAL CHIP	10K 5% 1/10W
R5027	1-216-801-11	METAL CHIP	22 5% 1/10W	R5223	1-216-864-11	SHORT CHIP	0
R5028	1-216-801-11	METAL CHIP	22 5% 1/10W	R5224	1-216-821-11	METAL CHIP	1K 5% 1/10W
R5032	1-216-833-11	METAL CHIP	10K 5% 1/10W	R5225	1-216-805-11	METAL CHIP	47 5% 1/10W
R5035	1-216-857-11	METAL CHIP	1M 5% 1/10W	R5226	1-216-801-11	METAL CHIP	22 5% 1/10W
R5038	1-216-833-11	METAL CHIP	10K 5% 1/10W	R5227	1-216-801-11	METAL CHIP	22 5% 1/10W
R5041	1-216-833-11	METAL CHIP	10K 5% 1/10W	R5228	1-216-801-11	METAL CHIP	22 5% 1/10W
R5042	1-216-864-11	SHORT CHIP	0	R5229	1-216-801-11	METAL CHIP	22 5% 1/10W
R5044	1-216-864-11	SHORT CHIP	0	R5230	1-216-801-11	METAL CHIP	22 5% 1/10W
R5046	1-216-864-11	SHORT CHIP	0	R5231	1-216-833-11	METAL CHIP	10K 5% 1/10W
R5047	1-216-864-11	SHORT CHIP	0	R5232	1-216-833-11	METAL CHIP	10K 5% 1/10W
R5048	1-216-801-11	METAL CHIP	22 5% 1/10W	R5233	1-216-833-11	METAL CHIP	10K 5% 1/10W
R5049	1-216-864-11	SHORT CHIP	0	R5234	1-216-833-11	METAL CHIP	10K 5% 1/10W
R5051	1-216-864-11	SHORT CHIP	0	R5235	1-216-857-11	METAL CHIP	1M 5% 1/10W
R5052	1-216-864-11	SHORT CHIP	0	R5238	1-216-833-11	METAL CHIP	10K 5% 1/10W
R5053	1-216-801-11	METAL CHIP	22 5% 1/10W	R5241	1-216-833-11	METAL CHIP	10K 5% 1/10W
R5054	1-216-801-11	METAL CHIP	22 5% 1/10W	R5242	1-216-864-11	SHORT CHIP	0
R5055	1-216-864-11	SHORT CHIP	0	R5244	1-216-864-11	SHORT CHIP	0
R5056	1-216-864-11	SHORT CHIP	0	R5246	1-216-801-11	METAL CHIP	22 5% 1/10W
R5057	1-216-864-11	SHORT CHIP	0	R5247	1-216-864-11	SHORT CHIP	0
R5058	1-216-864-11	SHORT CHIP	0	R5248	1-216-801-11	METAL CHIP	22 5% 1/10W
R5059	1-216-864-11	SHORT CHIP	0	R5249	1-216-864-11	SHORT CHIP	0
R5060	1-216-801-11	METAL CHIP	22 5% 1/10W	R5251	1-216-864-11	SHORT CHIP	0
R5061	1-216-801-11	METAL CHIP	22 5% 1/10W	R5252	1-216-864-11	SHORT CHIP	0
R5062	1-216-801-11	METAL CHIP	22 5% 1/10W	R5253	1-216-801-11	METAL CHIP	22 5% 1/10W
R5063	1-216-801-11	METAL CHIP	22 5% 1/10W	R5254	1-216-801-11	METAL CHIP	22 5% 1/10W
				R5255	1-216-864-11	SHORT CHIP	0
				R5256	1-216-864-11	SHORT CHIP	0

**Note:** IC5202 cannot exchange with single. When IC5202 is damaged, exchange the entire mounted board.

# STR-DA5300ES

DSP

Ref. No.	Part No.	Description	Remark
R5257	1-216-864-11	SHORT CHIP	0
R5258	1-216-864-11	SHORT CHIP	0
R5259	1-216-864-11	SHORT CHIP	0
R5260	1-216-801-11	METAL CHIP	22 5% 1/10W
R5261	1-216-801-11	METAL CHIP	22 5% 1/10W
R5262	1-216-801-11	METAL CHIP	22 5% 1/10W
R5263	1-216-801-11	METAL CHIP	22 5% 1/10W
R5264	1-216-801-11	METAL CHIP	22 5% 1/10W
R5265	1-216-801-11	METAL CHIP	22 5% 1/10W
R5266	1-216-801-11	METAL CHIP	22 5% 1/10W
R5267	1-216-801-11	METAL CHIP	22 5% 1/10W
R5268	1-216-801-11	METAL CHIP	22 5% 1/10W
R5269	1-216-864-11	SHORT CHIP	0
R5270	1-216-837-11	METAL CHIP	22K 5% 1/10W
R5271	1-216-837-11	METAL CHIP	22K 5% 1/10W
R5272	1-216-837-11	METAL CHIP	22K 5% 1/10W
R5273	1-216-864-11	SHORT CHIP	0
R5274	1-216-864-11	SHORT CHIP	0
R5275	1-216-821-11	METAL CHIP	1K 5% 1/10W
R5278	1-216-864-11	SHORT CHIP	0
R5279	1-216-864-11	SHORT CHIP	0
R5280	1-216-864-11	SHORT CHIP	0
R5281	1-216-864-11	SHORT CHIP	0
R5282	1-216-864-11	SHORT CHIP	0
R5283	1-216-864-11	SHORT CHIP	0
R5284	1-216-821-11	METAL CHIP	1K 5% 1/10W
R5285	1-216-821-11	METAL CHIP	1K 5% 1/10W
R5286	1-216-864-11	SHORT CHIP	0
R5287	1-216-864-11	SHORT CHIP	0
R5288	1-216-864-11	SHORT CHIP	0
R5289	1-216-864-11	SHORT CHIP	0
R5290	1-216-864-11	SHORT CHIP	0
R5291	1-216-864-11	SHORT CHIP	0
R5292	1-216-801-11	METAL CHIP	22 5% 1/10W
R5293	1-216-801-11	METAL CHIP	22 5% 1/10W
R5294	1-216-864-11	SHORT CHIP	0
R5295	1-216-864-11	SHORT CHIP	0
R5296	1-216-864-11	SHORT CHIP	0
R5297	1-216-864-11	SHORT CHIP	0
R5298	1-216-864-11	SHORT CHIP	0
R5299	1-216-833-11	METAL CHIP	10K 5% 1/10W

< COMPOSITION CIRCUIT BLOCK >

Ref. No.	Part No.	Description	Remark
RB5207	1-242-963-21	RES, NETWORK	33 (1005X4)
RB5208	1-242-963-21	RES, NETWORK	33 (1005X4)
RB5209	1-242-963-21	RES, NETWORK	33 (1005X4)
RB5210	1-234-372-11	RES, NETWORK	100 (1005X4)
RB5214	1-242-963-21	RES, NETWORK	33 (1005X4)
RB5215	1-242-963-21	RES, NETWORK	33 (1005X4)
RB5216	1-242-963-21	RES, NETWORK	33 (1005X4)
RB5217	1-242-963-21	RES, NETWORK	33 (1005X4)
< VIBRATOR >			
X5001	1-795-843-11	VIBRATOR, CRYSTAL (12.288MHz)	
X5201	1-813-967-21	PIEZOELECTRIC OSCILLAT (25MHz)	
X5202	1-781-893-21	VIBRATOR, CERAMIC (CHIP TYPE) (12.5MHz)	
RB5006	1-234-371-21	RES, NETWORK	47 (1005X4)
RB5007	1-234-371-21	RES, NETWORK	47 (1005X4)
RB5008	1-234-371-21	RES, NETWORK	47 (1005X4)
RB5010	1-242-963-21	RES, NETWORK	33 (1005X4)
RB5011	1-242-963-21	RES, NETWORK	33 (1005X4)
RB5012	1-242-963-21	RES, NETWORK	33 (1005X4)
RB5013	1-242-963-21	RES, NETWORK	33 (1005X4)
RB5014	1-242-963-21	RES, NETWORK	33 (1005X4)
RB5015	1-242-963-21	RES, NETWORK	33 (1005X4)
RB5016	1-242-963-21	RES, NETWORK	33 (1005X4)
RB5017	1-242-963-21	RES, NETWORK	33 (1005X4)
RB5203	1-234-372-11	RES, NETWORK	100 (1005X4)
RB5204	1-234-372-11	RES, NETWORK	100 (1005X4)
RB5205	1-234-372-11	RES, NETWORK	100 (1005X4)
RB5206	1-242-963-21	RES, NETWORK	33 (1005X4)

MEMO

